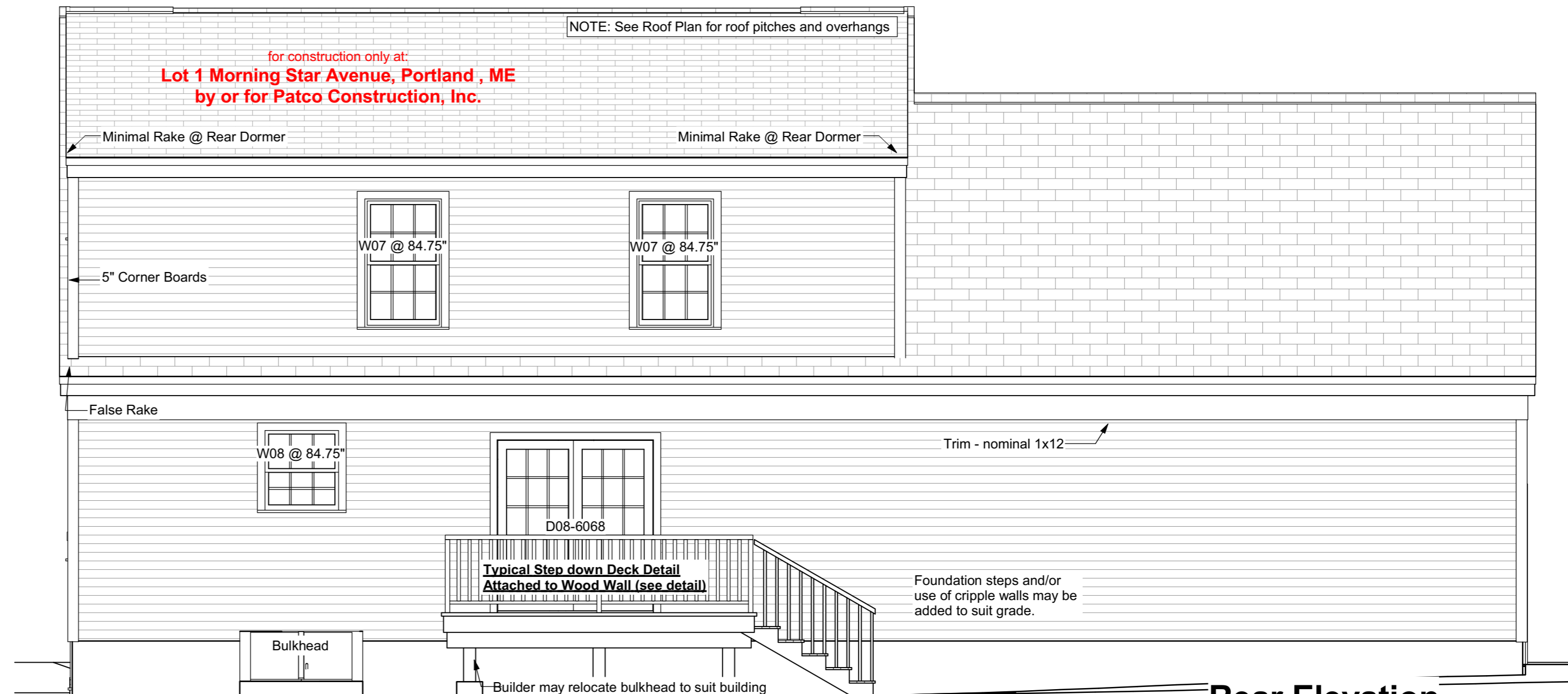
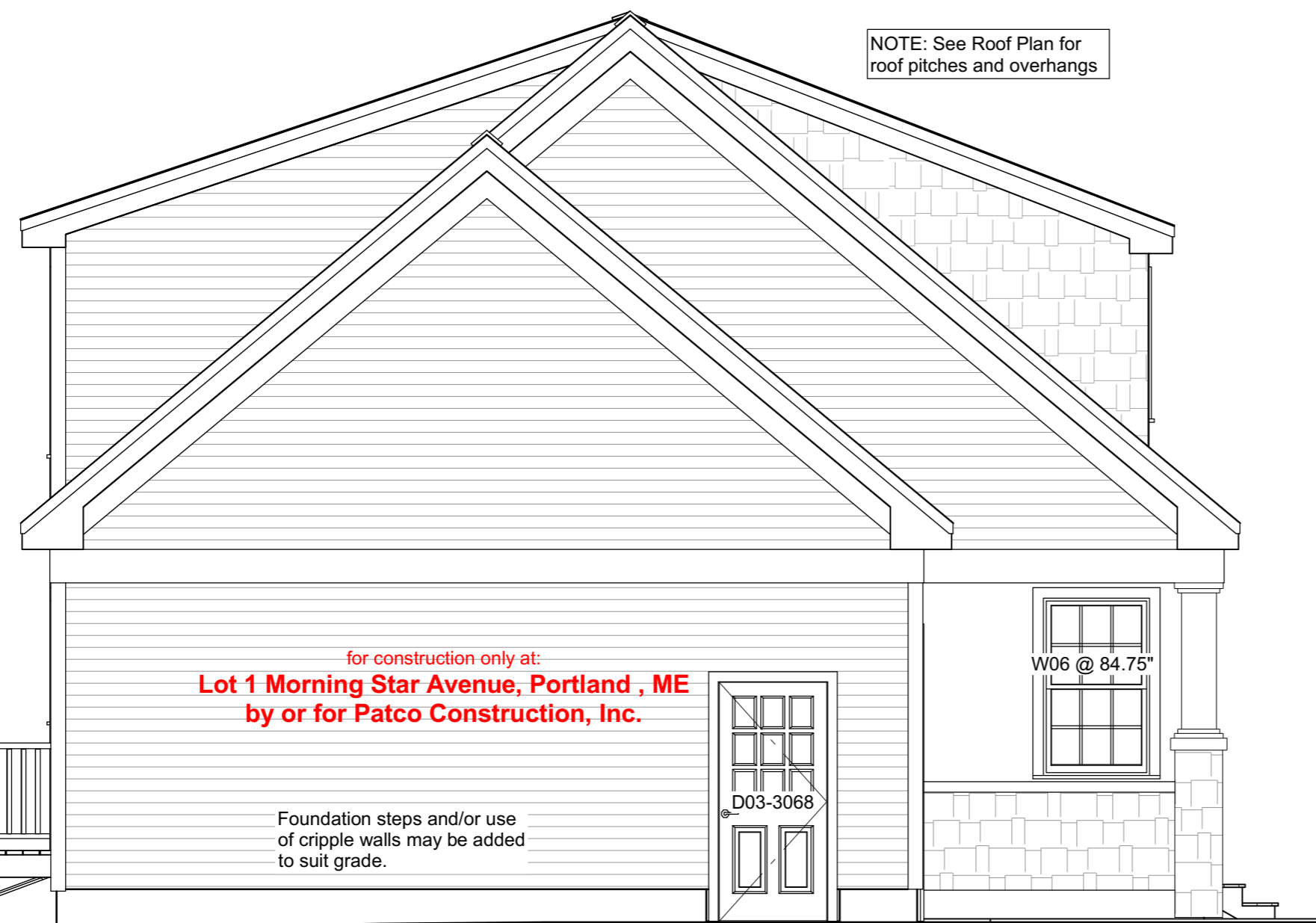


**Window Story Pole**

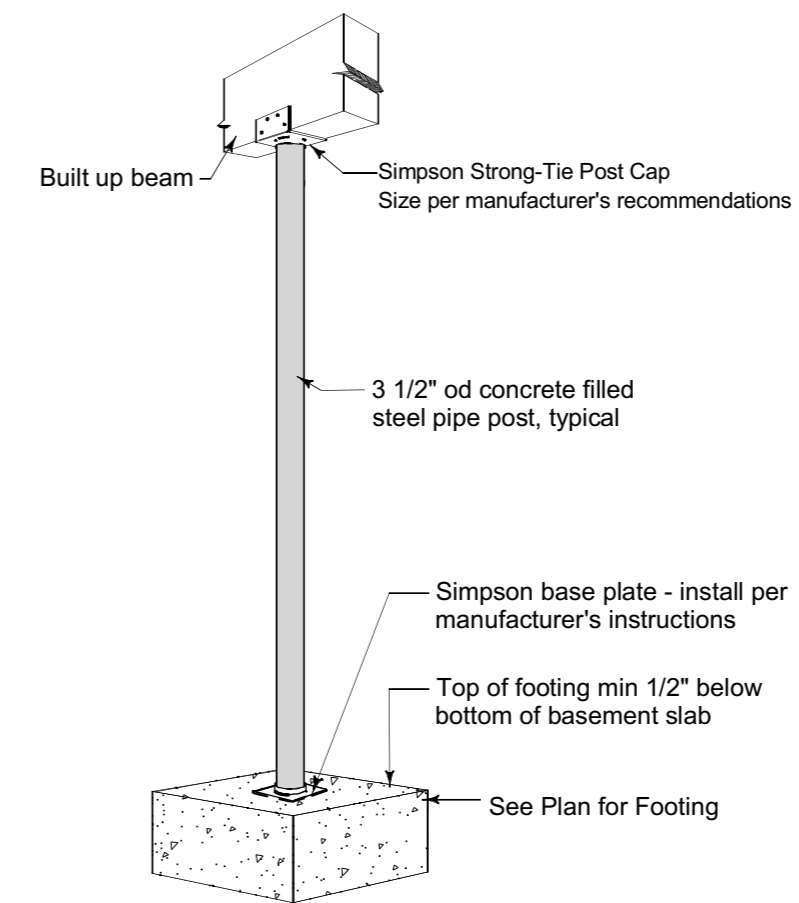
Scale 1/4"=1'-0"



**Rear Elevation**

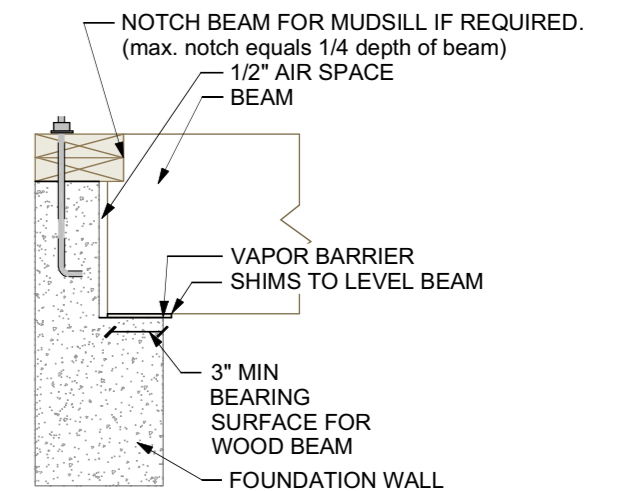


**Left Elevation**



**Typical Basement Post**

Not to Scale

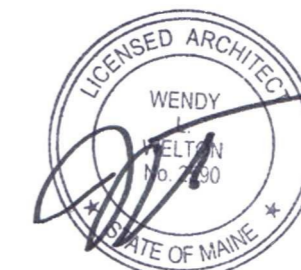


**Beam Pocket**

Scale 1/2"=1'-0"

Your use of these drawings constitutes an acceptance of responsibility as outlined in "Dear Code Officer" on the first page of these drawings, and on our web site:  
<http://www.artformhomeplans.com/TermsConditions.a5w>

If you have any concerns or questions, please feel free to contact us. We are happy to clarify matters that fall within our scope, as listed on the first page. We can also often provide affordable support for issues that are your responsibility, such as energy design/calcs, or additional detailing.



<b>Artform Home Plans</b> AFHP Design # 190.124 KR © 2006-2014 Wendy L. Welton 603.431.9559		<b>5</b>
April Calla, Classic Lot 1 Morning Star Avenue Portland, ME		
1/4"=1'-0" unless noted otherwise / Print @ 1:1 PDF created on: 9/16/2014, drawn by ACJ	Issued for: <b>Construction</b>	
R2: 9.15.14 - Reverse		