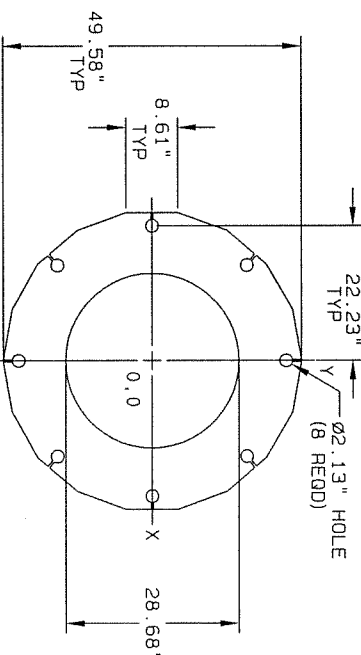


ITEM NO. ID	RECD	FEATURES	UNIT WEIGHT (LBS)	WEIGHT (LBS)
1	1	SECTION A VALMONT S-22 0.250" THK (A572 GR65)	4,288	4,288
2	1	SECTION B VALMONT S-22 0.219" THK (A572 GR65)	3,596	3,596
3	1	BOTTOM GAGE PLATE	92	92
4	8	1.75" ANCHOR BOLT, LENGTH=5.50' A615 GR75	69	549
5	1	BASE PLATE VALMONT S-56 1.750" THK (A572 GR50)	653	653
	1	TOP GAGE PLATE (REMOVE BEFORE SETTING POLE)	120	120
	3	GROUNDING LUG	2	5
6	2	GALVANIZING	240	240
7	1	HAND HOLE STD (9" x 24")	48	96
8	1	HAND HOLE STD (6" x 12")	22	22
9	1	HAND HOLE STD (6" x 12")	22	22
	3	HAND HOLE STD (6" x 12")	22	66
	1	POLE CAP	39	39

HOLE COORDS (INCHES)		
X-COORD	Y-COORD	
22.23	0.00	
15.72	15.72	
0.00	22.23	

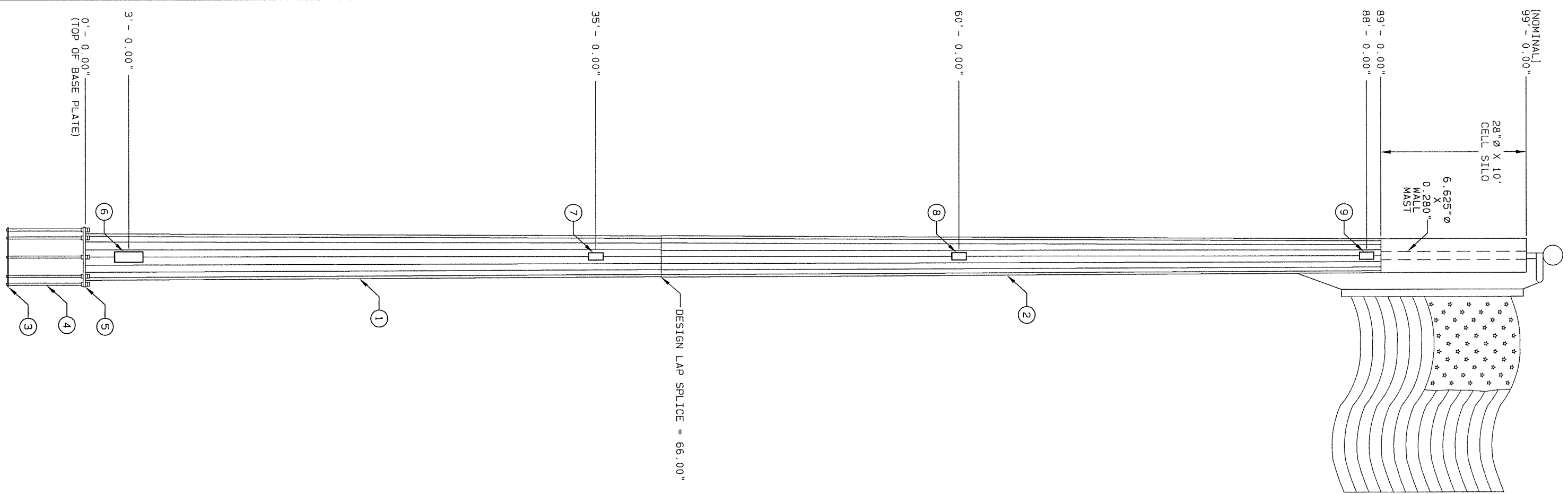


- NOTES:
1. BASE PLATE THICKNESS = 1.750"
  2. BASE PLATE ALLOWABLE STRESS (KSI) = 50
  3. ANGLES ARE MEASURED CLOCKWISE FROM 0 DEGREES
  4. MAXIMUM BOLT CIRCLE DIAMETER = 44.46"
  5. MAXIMUM GAGE TEMPLATE DIAMETER = 50.46"

**BASE PLATE / ANCHORAGE CHARACTERISTICS**

- NOTES:
1. FACTORED REACTIONS FOR FOUNDATION DESIGN.  
MOMENT = 5,602 IN-KIPS  
SHEAR = 8,531 #  
VERTICAL = 12,759 #
  2. GALVANIZED PER ASTM A-123.
  3. DESIGN CRITERIA: ANSI/TIA 222-G ADDENDUM 2
  4. THIS STRUCTURE HAS BEEN DESIGNED FOR THE FOLLOWING LOADING:  
EXPOSURE CATEGORY = C  
STRUCTURE CLASSIFICATION = 2  
TOPOGRAPHY CATEGORY = 1  
WIND LOAD CASES ARE BASED ON 3 SECOND GUST AND 50 YEAR WIND RETURN PERIOD  
A. CASE 1: WIND = 100 MPH WIND SPEED  
B. CASE 2: WIND = 40 MPH ICE AND WIND SPEED  
C. CASE 3: WIND = 1.00 INCH DESIGN ICE THICKNESS = 1.00 INCH  
D. EQUIPMENT WIND = 60 MPH WIND SPEED
  5. FEEDLINES ARE PLACED INTERIOR TO POLE SHAFT (UNLESS NOTED OTHERWISE).
  6. TOTAL POLE HEIGHT IS 90 FT AGL
  7. 28" OD X 10' CANISTER TO 100 FT AGL
  8. ELEVATIONS ARE MEASURED FROM TOP OF BASE PLATE (APPROX 1 FT AGL)

DESCRIPTION	MTG HT. (FT)	CENTROID HT. (FT)	WITHOUT ICE EPA WT (LBS)	WITH ICE EPA WT (LBS)
1-GOLD BALL	89.00	101.00	25	5.00
1-28" X 10' CELL SILO	89.00	96.10	2000	28.00
1-15' X 25' FLAG (UP TO 100')	89.00	93.00	10.70	10.70



SECTION INFORMATION					
ITEM ID	LENGTH	BASE OD	TOP OD	THK	MATL
1	45' - 0.00"	38.24"	32.84"	0.250"	A572 65 KSI
2	49' - 6.00"	33.94"	28.00"	0.219"	A572 65 KSI

ORDER	PROJECT	FILE ID	SCALE	DATE	ENGR
334229	334229	334229	NONE	07/14/16	NAR1

VERIZON 100' FLAG POLE, SITE: PORTLAND 3, ME 334229

