

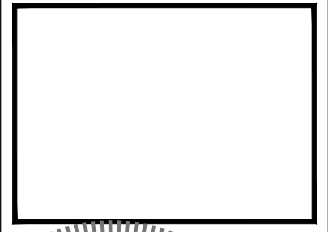
FOR CONSTRUCTION

PREPARED FOR:

400 FRIBERG PARKWAY
WESTBOROUGH, MA 01581
(508) 330-3330 TEL

1600 OSGOOD STREET
BUILDING 20 NORTH, SUITE 3090
N. ANDOVER, MA 01845

TEL: (978) 557-5553
FAX: (978) 336-5586



Daniel P. Hamm

CHECKED BY: JX

APPROVED BY: DPH

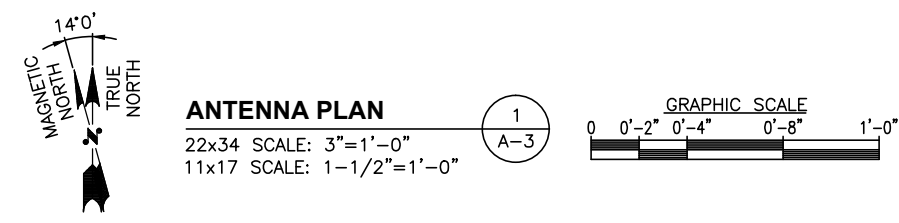
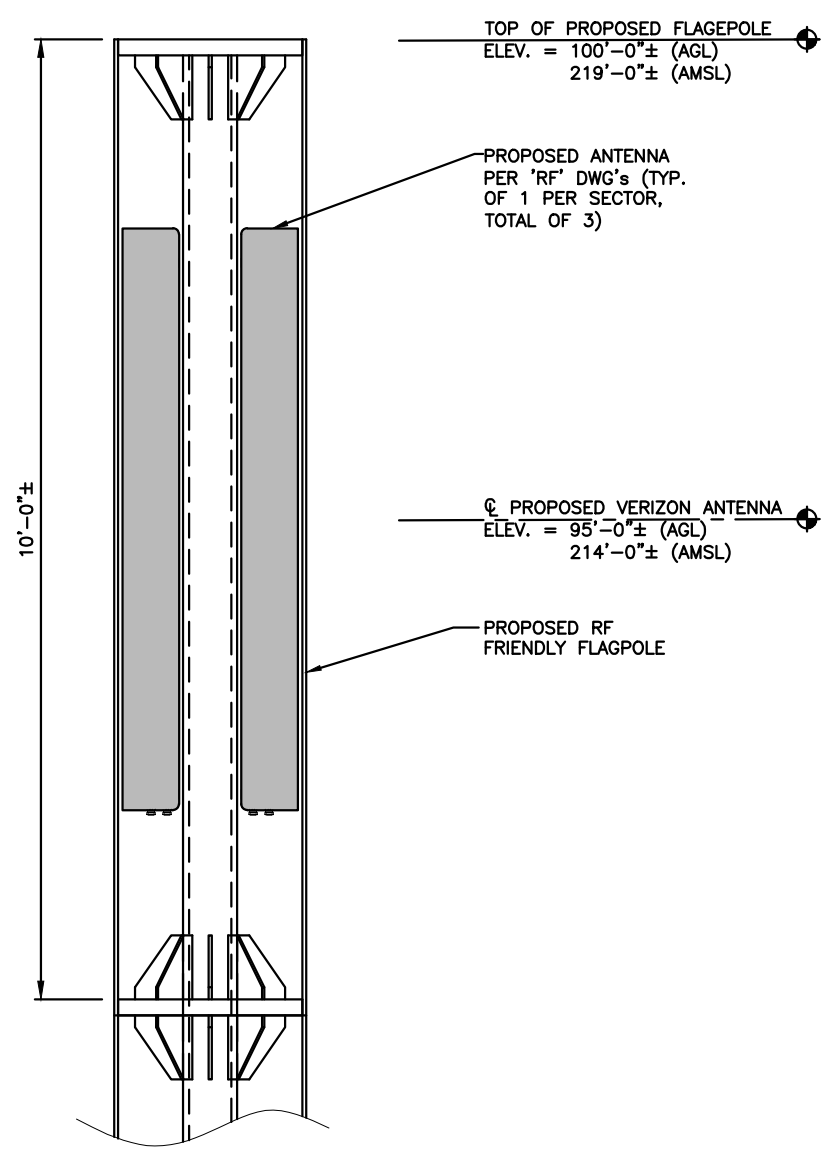
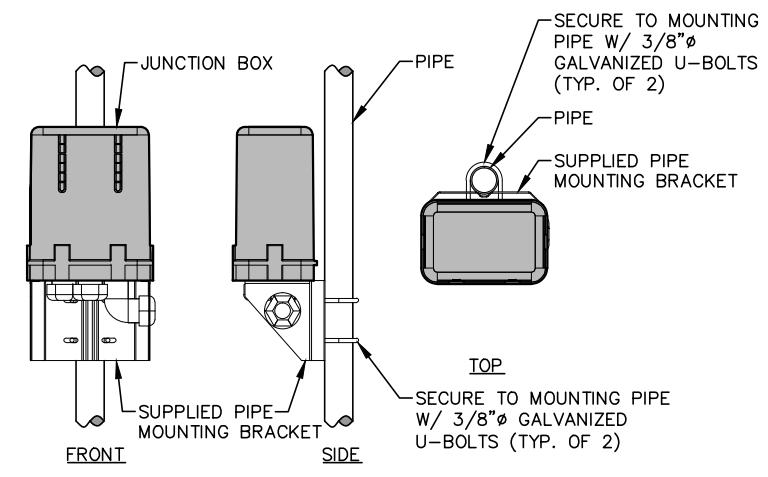
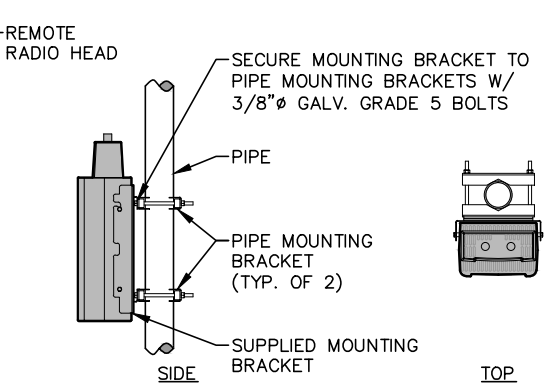
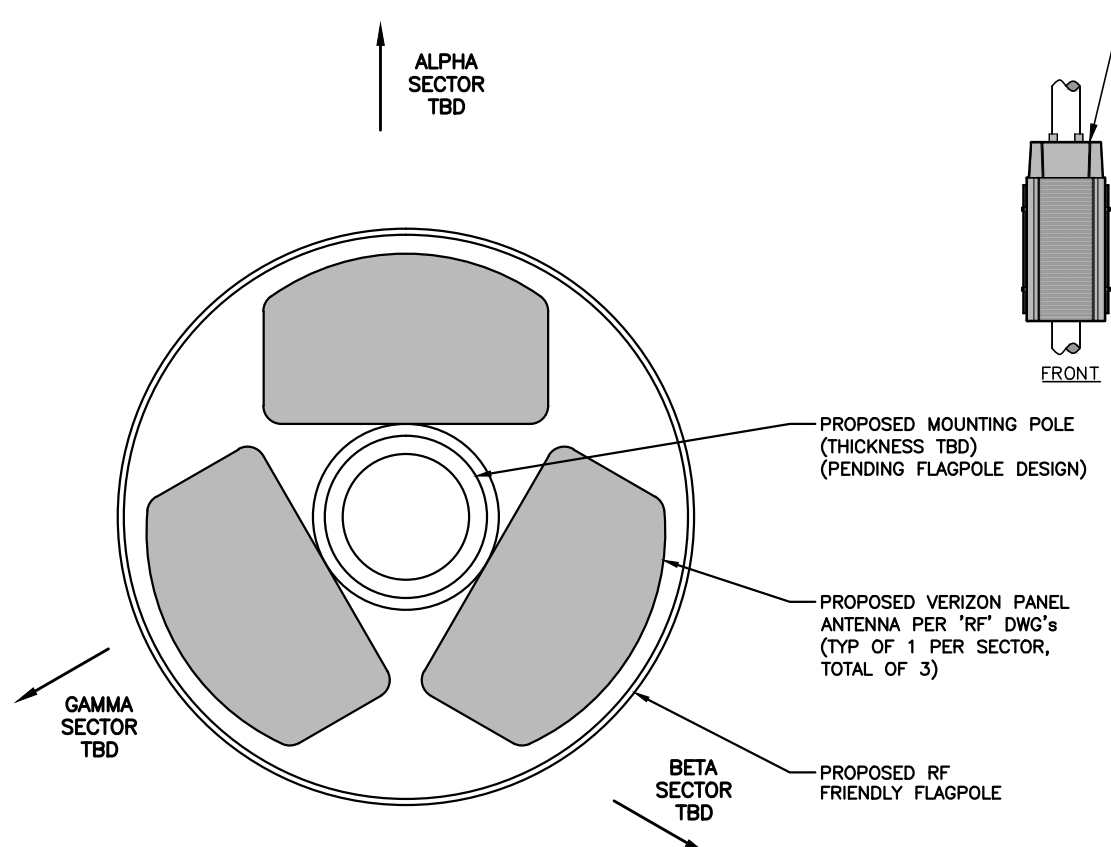
SUBMITTALS			
REV.	DATE	DESCRIPTION	BY
1	02/09/16	FOR CONSTRUCTION	MR
0	07/31/15	FOR CONSTRUCTION	HH

SITE NAME:
PORTLAND 3 ME

SITE ADDRESS:
476 SUMMIT STREET
PORTLAND, ME 04103

SHEET TITLE
ANTENNA PLAN & DETAILS

SHEET NUMBER
A-3



NOTE:
1. VERIFY AZIMUTHS W/ RF ENGINEER.

NOTE:
AN ANALYSIS OF THE CAPACITY OF THE PROPOSED STRUCTURE TO SUPPORT THE PROPOSED LOADING HAS NOT BEEN COMPLETED BY HUDSON DESIGN GROUP, LLC. DRAWINGS ARE SUBJECT TO CHANGE PENDING OUTCOME OF A STRUCTURAL ANALYSIS.

