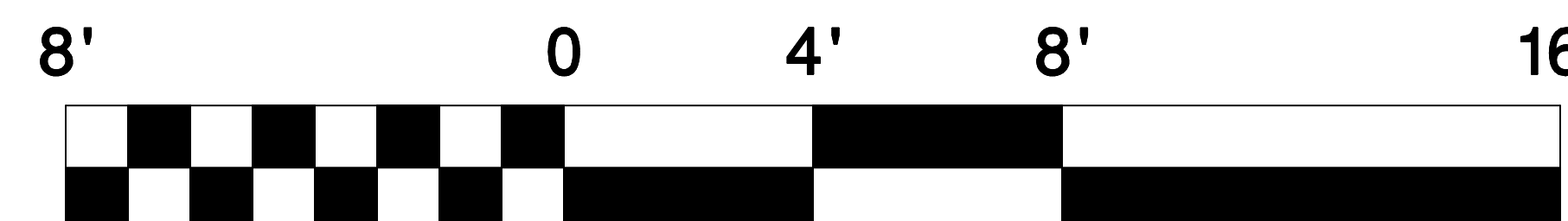
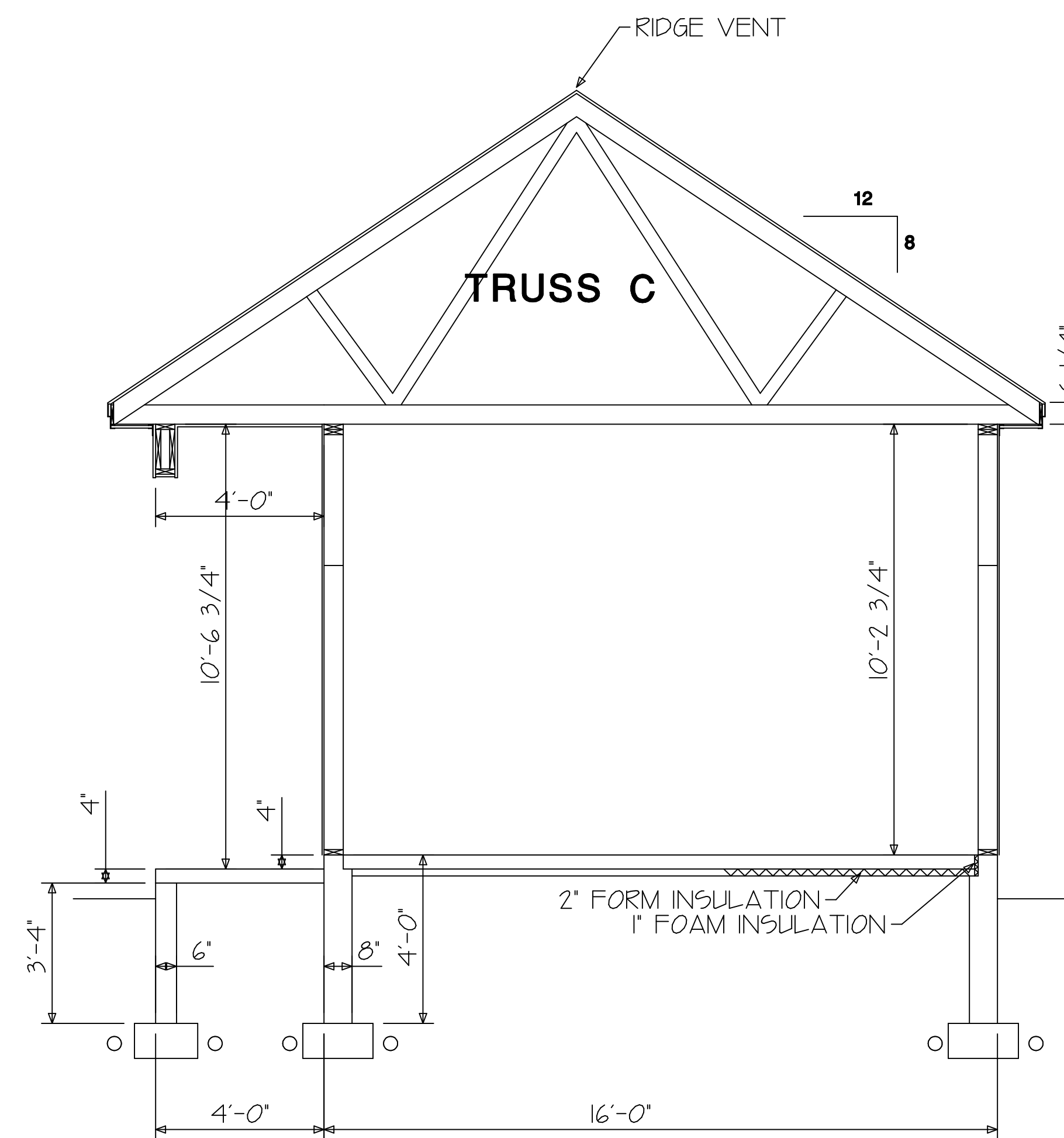
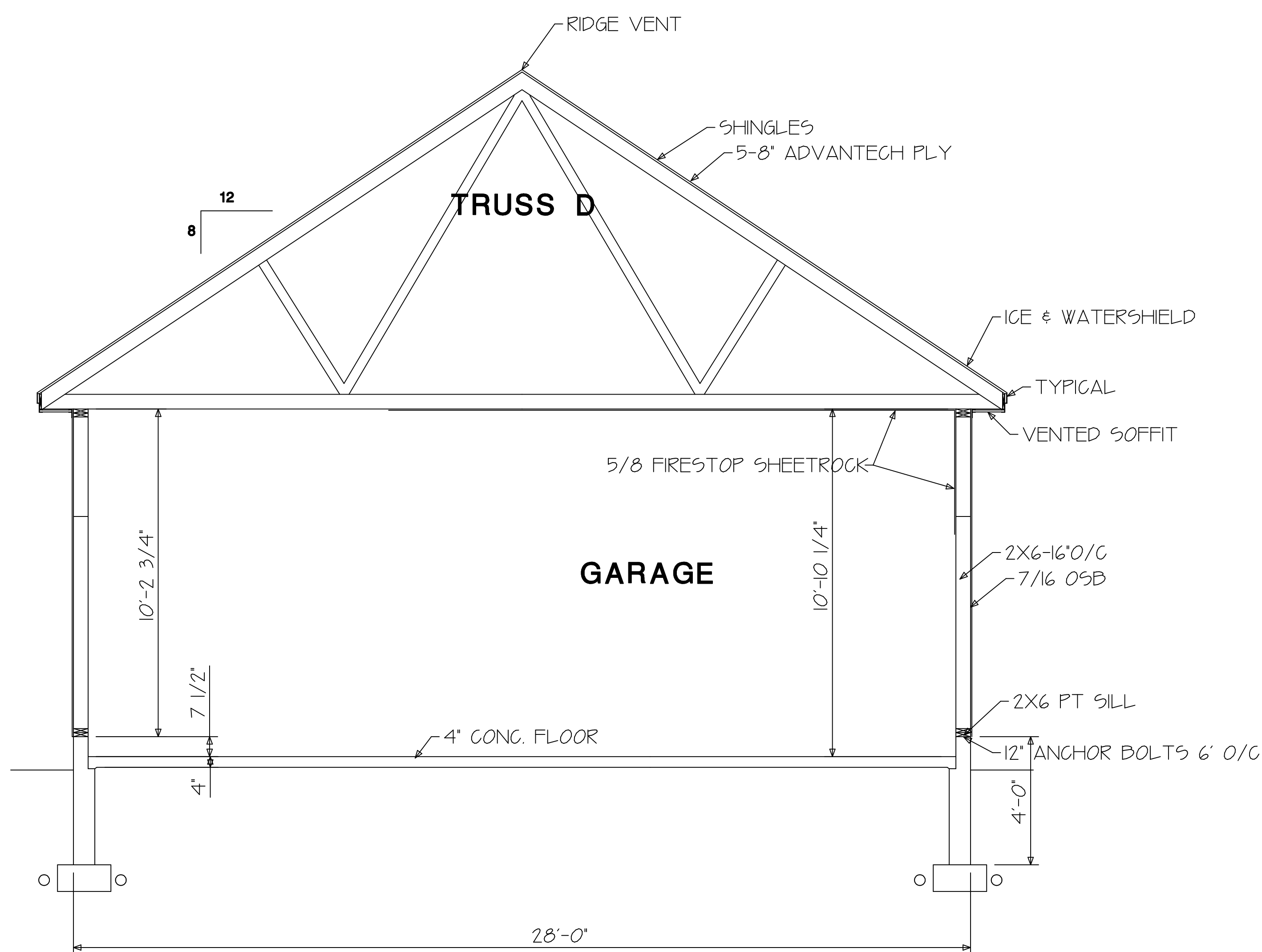
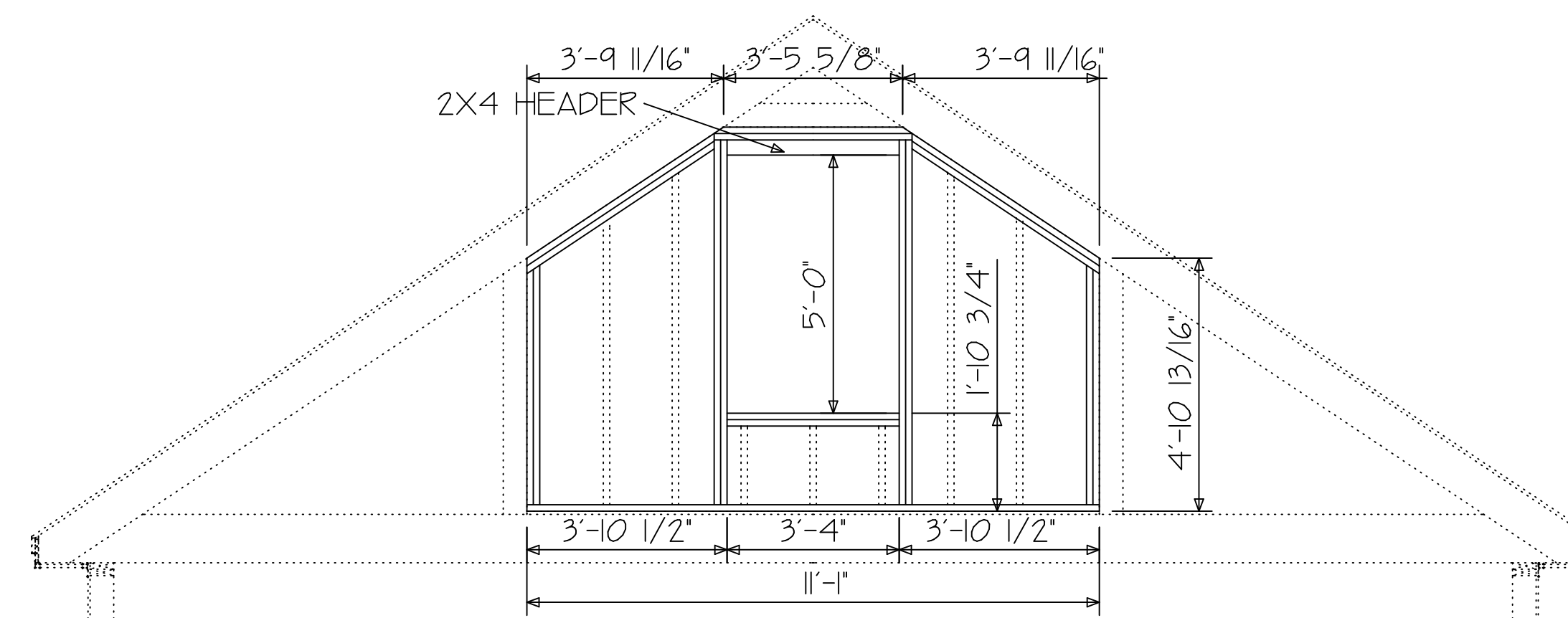
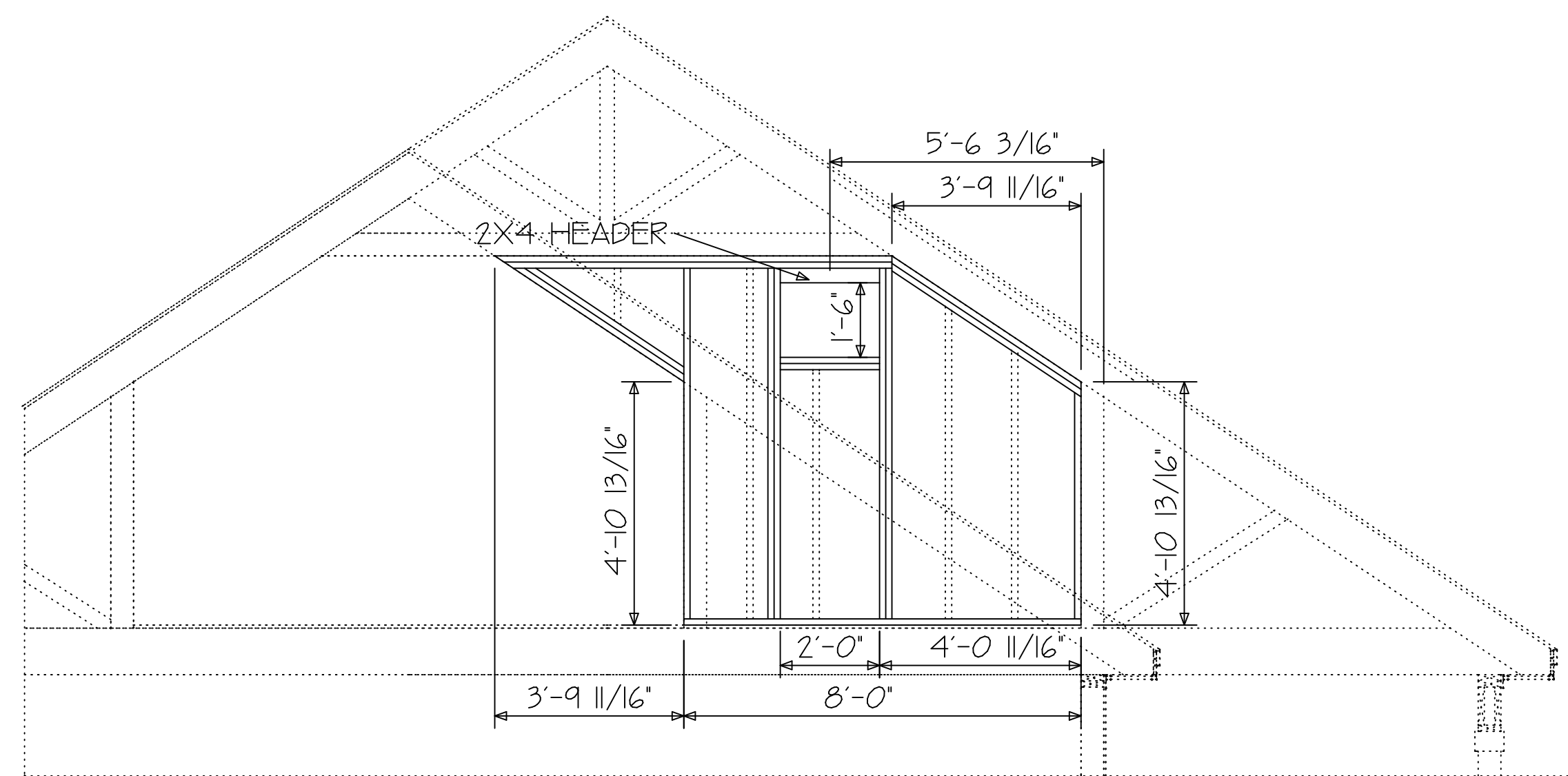


THIS INFORMATION IS PROVIDED TO OUR CUSTOMERS AS A SERVICE OF MAINE RESIDENTIAL DESIGN. CUSTOMERS SHOULD APPRECIATE, HOWEVER, THAT THIS INFORMATION IS NOT THE PRODUCT OF ANY ARCHITECT. NEITHER MAINE RESIDENTIAL DESIGN OR ANY OF ITS EMPLOYEES ARE REGISTERED ARCHITECTS WITHIN THE STATE OF MAINE AND CUSTOMERS MAY WANT TO CONSULT WITH AN ARCHITECT BEFORE TAKING FINAL ACTION WITH REGARD TO ANY BUILDING OR STRUCTURE. CUSTOMERS SHOULD ALSO APPRECIATE THAT BY PROVIDING YOU WITH THIS INFORMATION MAINE RESIDENTIAL DESIGN DOES NOT GUARANTEE THE SOUNDNESS OR SUITABILITY OF THE INFORMATION FOR ANY PURPOSE OF THE CUSTOMER.



| | |
|--------------------------|-------------------|
| MAINE RESIDENTIAL DESIGN | FILE NAME |
| CASCO, ME. 207-627-3362 | A9 OF 9 |
| JOB: MATT FLAHERTY VER 2 | SCALE: 3/8"=1'-0" |
| | DATE: 2/18/2015 |
| DISCIPLINE: SECTION PG4 | DRAWN BY: MEJ |
| | APPROVED: |