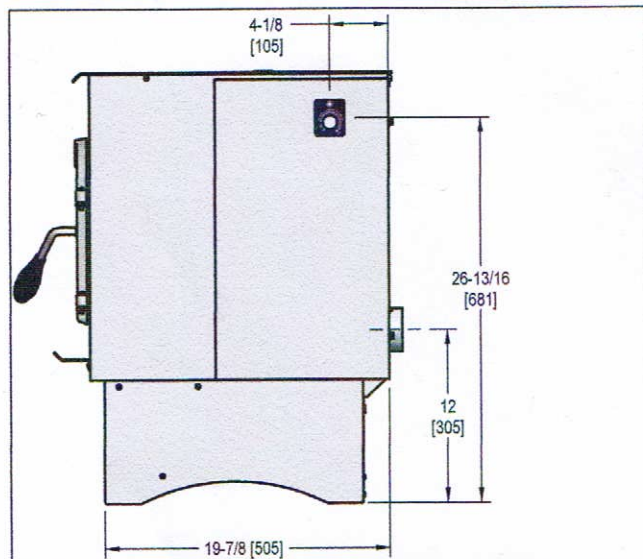
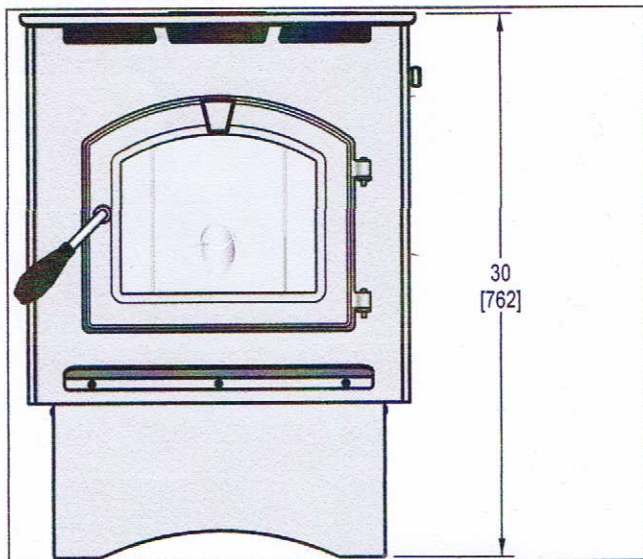
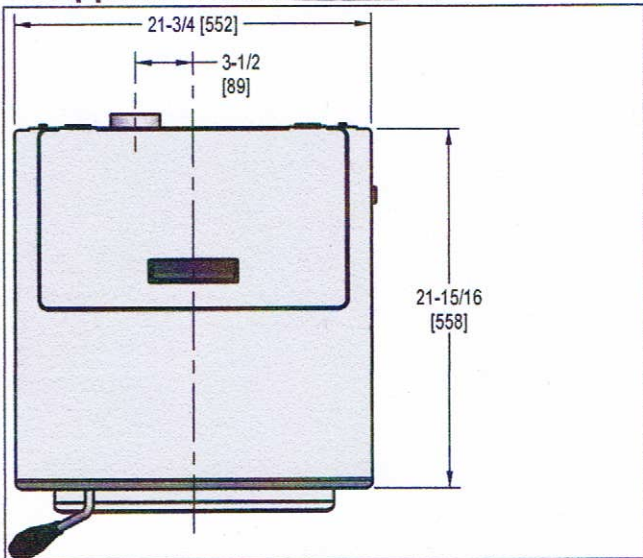


6 Dimensions and Clearances

MODEL: PH35PS

A. Appliance Dimensions



MODEL: PH50PS

A. Appliance Dimensions

