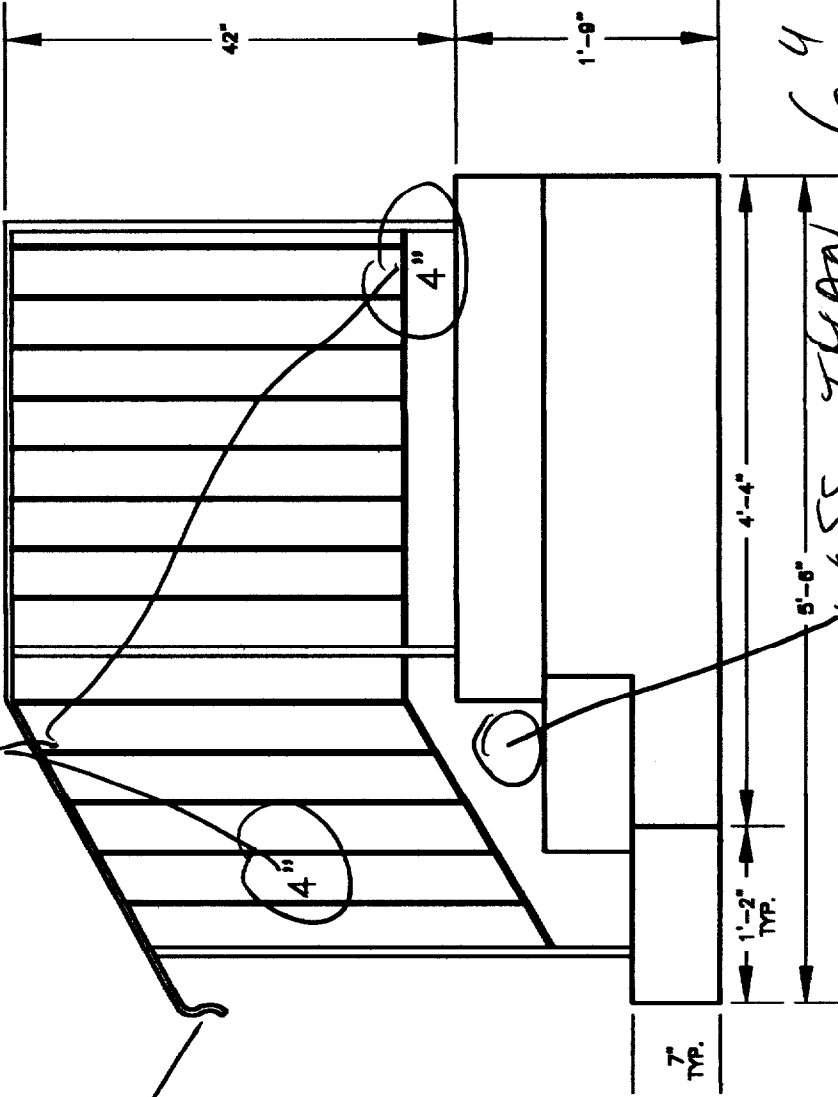


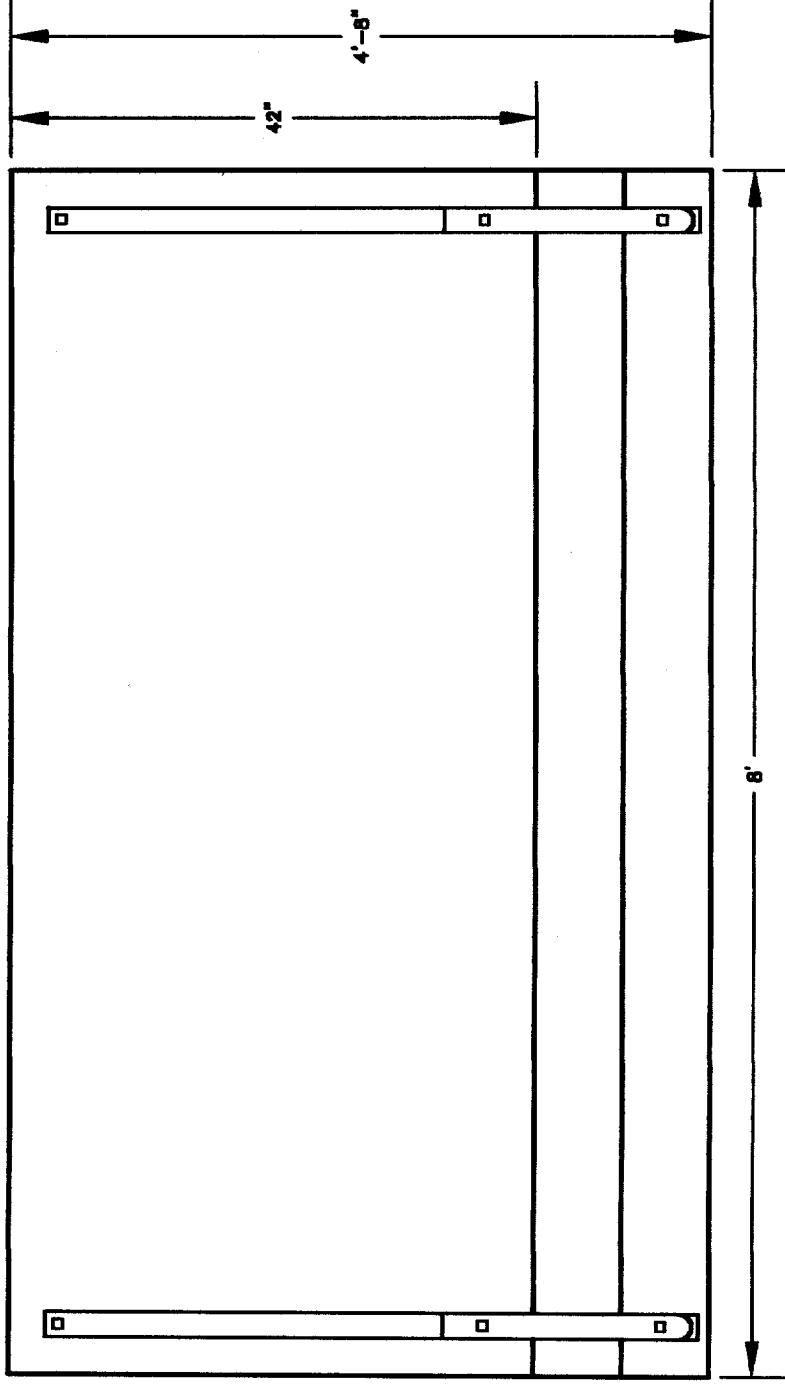
2 FULL BLACK RAILS (WI)
W/ 3/4" SQUARE POST

LESS THAN 4



SIDE VIEW

64
LESS THAN 64
ROBERTS
GEORGE NOTIFIED
1/19/2010



PLAN VIEW

George R. Roberts Co.

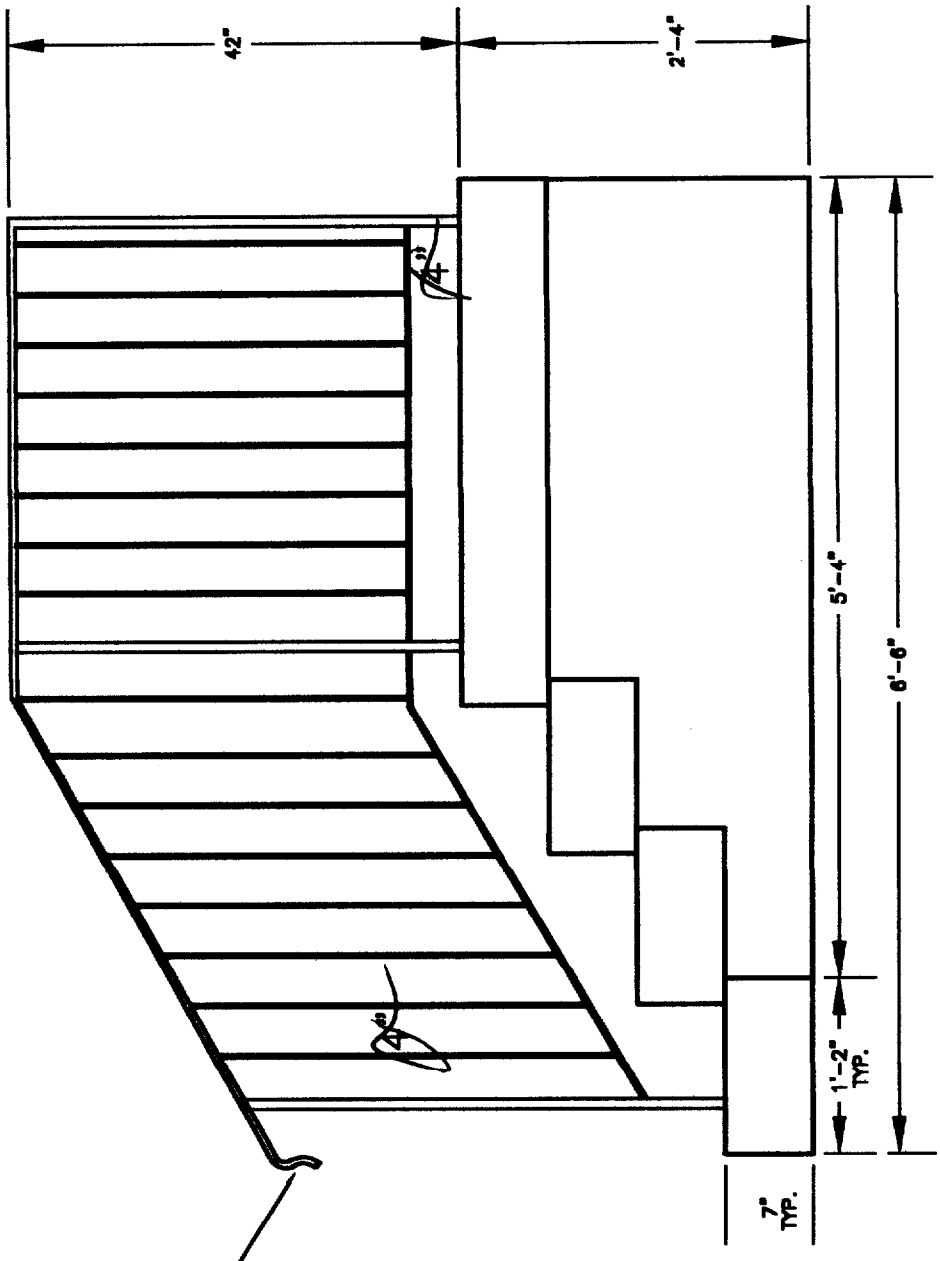
Precast Concrete Products
P.O. Box 127, Route 111
Alfred, Maine 04402
Tel. (207) 324-4871
Fax. (207) 324-4833

8' 3R 42" ROCKAFELLA

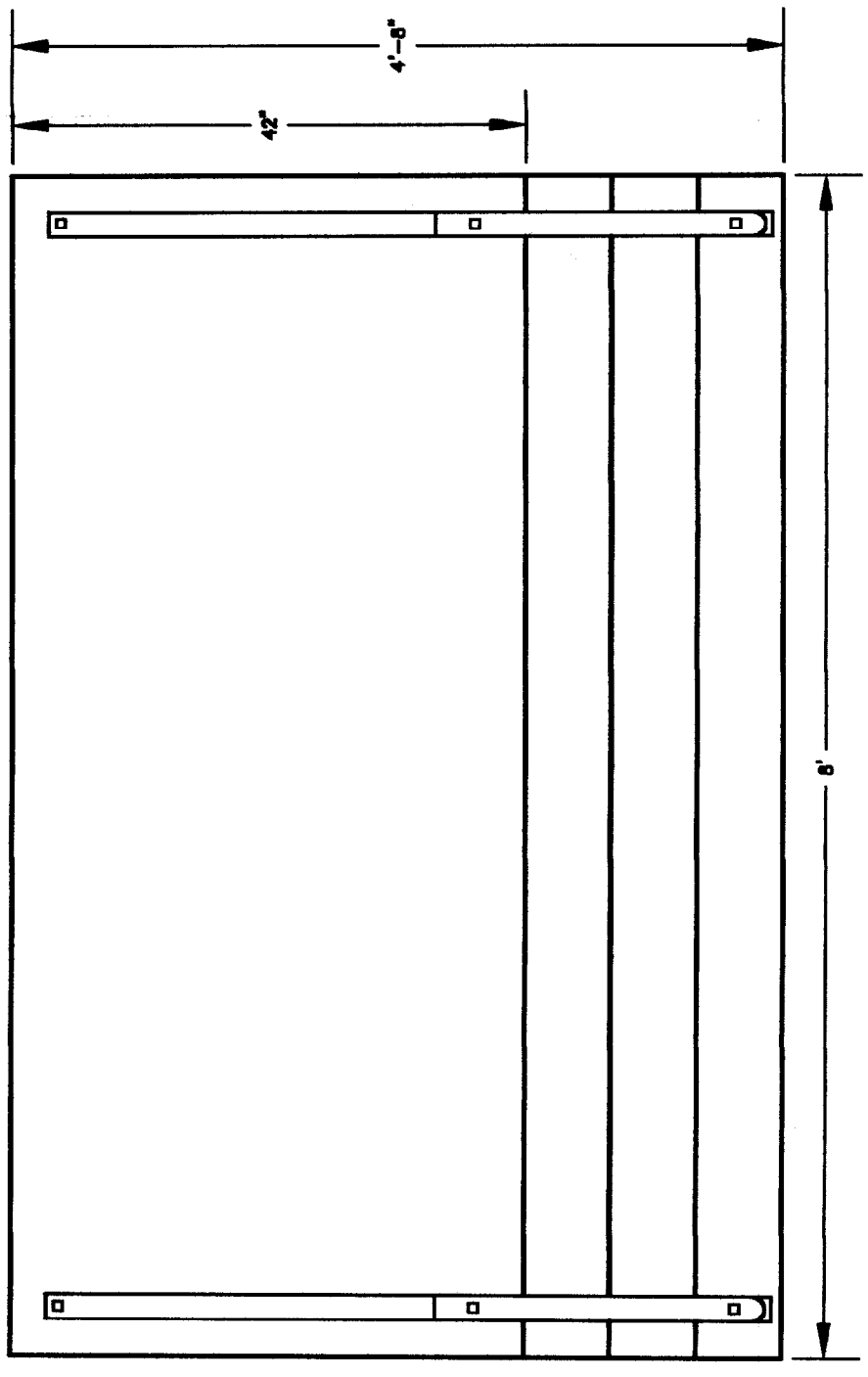
CONTRACTOR:	ENGINEER:
JOB: HUNTINGTON	LOCATION: PORTLAND, ME
SCALE: 3/4" = 1'-0"	DATE: 10/16/30
SHEET # 2	

HUNTINGTON GMD

2 FULL BLACK RAILS (WI)
W/ 3/4" SQUARE POST



SIDE VIEW



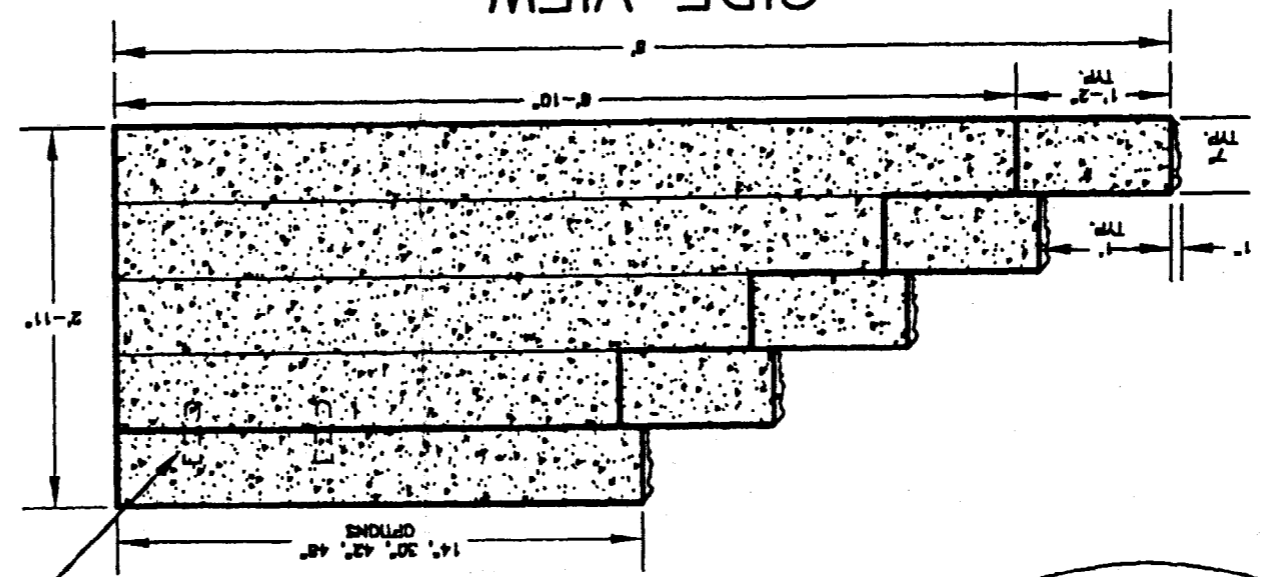
PLAN VIEW

George R. Roberts Co.	
Precast Concrete Products P.O. Box 127, Route 111 Alfred, Maine 04002 Tel. (207) 334-8871 Fax. (207) 334-8833	
CONTRACTOR:	ENGINEER:
JOB: HUNTINGTON	LOCATION: PORTLAND, ME
SCALE: 3/4" = 1'-0"	DATE: 10/16/30
SHEET #	

8' 4R 42" ROCKAFELLA

DATE 3/4-1-0		ROCKAFELLA JAG	
JOB	LOCATION	OPERATOR	NUMBER
ROCKAFELLA STEP DETAILS			
George R. Roberts Co. Ready Concrete Products P.O. Box 101, Rock III No. 101-101-101			

SIDE VIEW



CAST (2) RISERS UNDER TOP SLAB OF STEP @ 30" BRACKETS & 4" FOR USE W/SUPPORT

BACK VIEW

