

Drawings are provided by Hammond Lumber Company as a service to its customers and are intended for informational purposes only. The information presented in these drawings is not prepared or reviewed by a registered architect and should not be used for construction. Services of a registered architect to obtain technical drawings are not to be used as a basis for construction and the contractor shall be responsible for any errors or omissions. Hammond Lumber Company disclaims any responsibility if they are so used.

DATE	2/17/2011	ABB	Wednesday, August 23, 2011
SCALE	AS NOTED	TRF	
NO.	3	OF	3
PROJECT	8/1/2011	PNL	

DRWING: R110235

OWN: NASSER ROHANI
 24x32 2 STORY
 PORTLAND

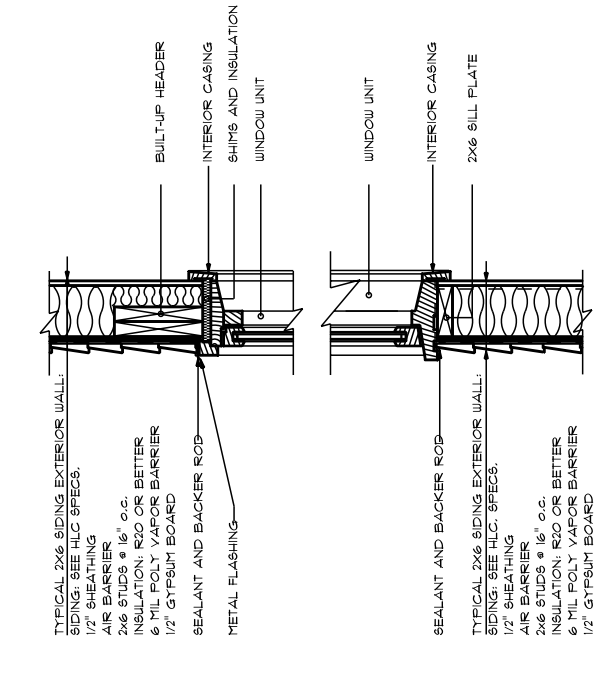
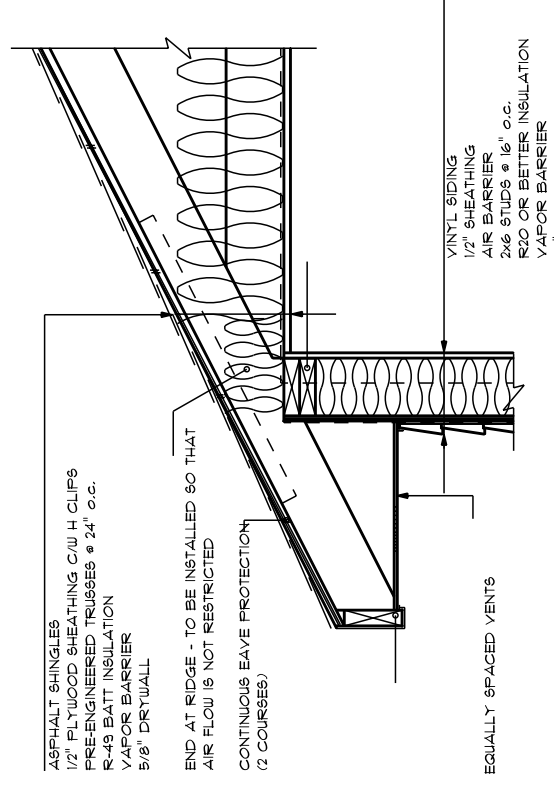


SPECIFY TREAD: APPROXIMATELY 7.5"
SPECIFY RISER: APPROXIMATELY 10"
RISE: APPROXIMATELY 9' 10.75"
CONTRACTOR, AND OR HOMEOWNER
TO DETERMINE FINAL DIMENSIONS OF STAIRS

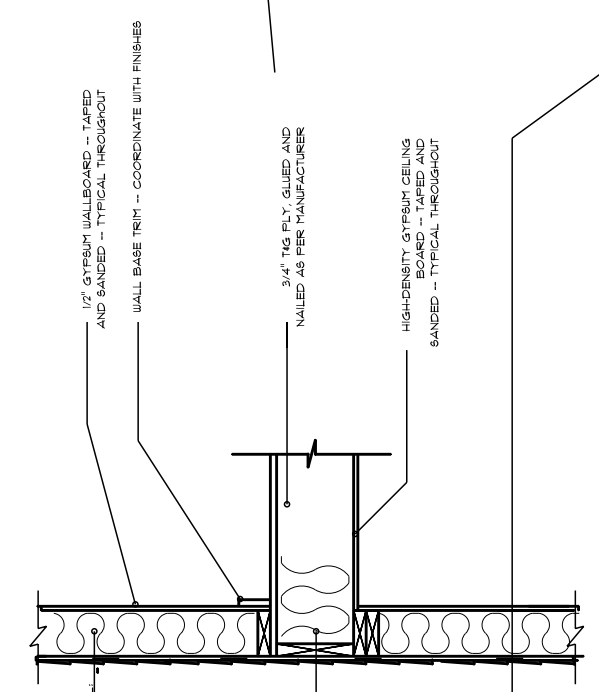
TRUSS TBD BY TRUSS MANUFACTURER

SPECIFY HEADERS:

TYPICAL: 2 PLY 2X10
TO BE VERIFIED/SIZED BY CONTRACTOR,
HOMEOWNER, OR STRUCTURAL ENGINEER,



REFER TO IRC 2009 FOR CODE REQUIREMENTS.

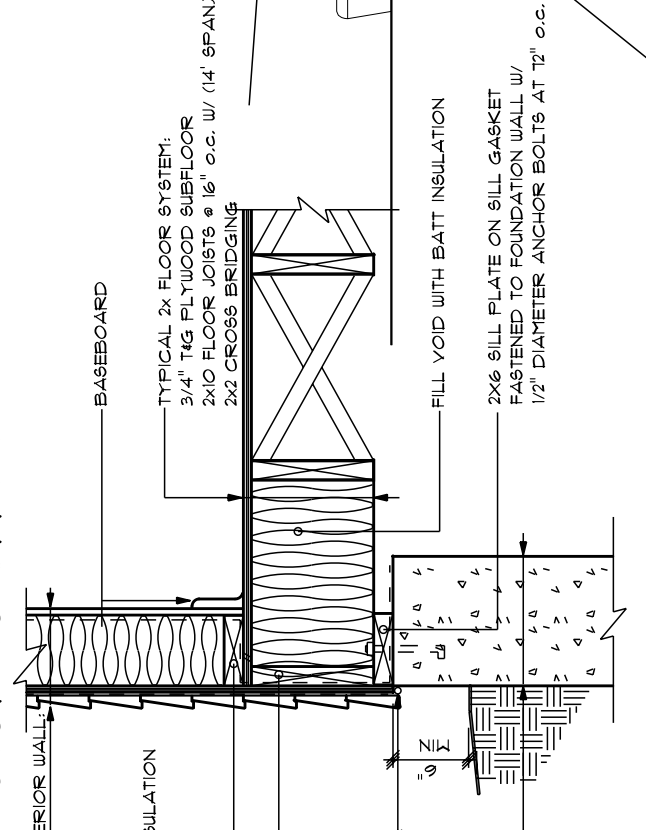


DECK JOIST: 2X10 PT. 16" O.C.
 TYPICAL: CONTRACTOR TO VERIFY

2X6/8/10 FLOOR FRAMING

REFER TO IRC 2009 FOR CODE REQUIREMENTS.

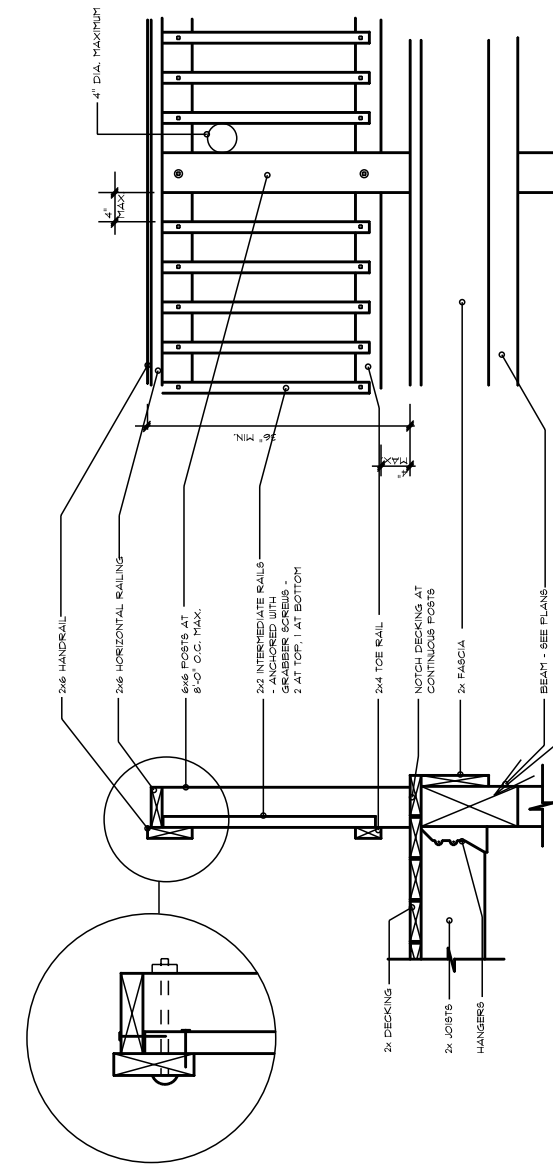
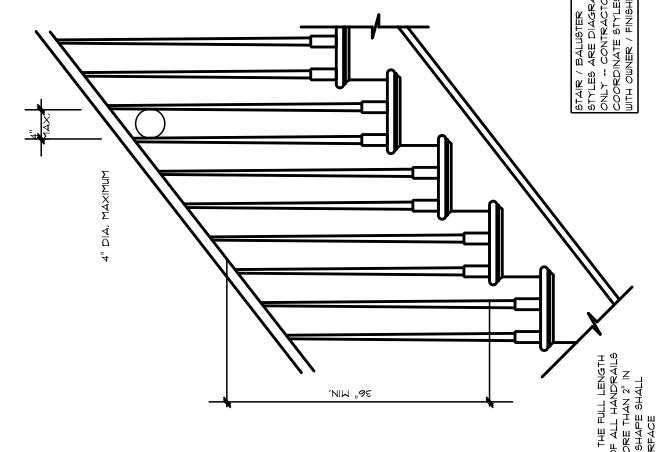
PRESSURE TREATED LEDGER
2X10 PT.
TYPICAL: CONTRACTOR TO VERIFY



TYPICAL: 10" SONOTUBE
 FINAL SIZE SPECIFIED BY CONTRACTOR

TYPICAL - NOT TO SCALE
 HAMMOND LUMBER COMPANY HAS SUPPLIED THIS DRAWING FOR ILLUSTRATIVE AND INFORMATIONAL PURPOSES ONLY. THE HOMEOWNER/CONTRACTOR IS RESPONSIBLE FOR ENSURING THAT THE MATERIALS CHOSEN WILL COMPLY WITH LOCAL BUILDING CODES AND/OR STANDARD BUILDING PRACTICES. HAMMOND LUMBER COMPANY SUGGESTS THAT ISBT CUSTOMERS SEEK THE ASSISTANCE OF A REGISTERED ENGINEER OR ARCHITECT IF FURTHER INFORMATION IS NEEDED. THIS DRAWING IS NOT INTENDED TO BE USED AS A BASIS FOR CONSTRUCTION AND HAMMOND LUMBER COMPANY DISCLAIMS ANY RESPONSIBILITY IF THEY ARE SO USED.

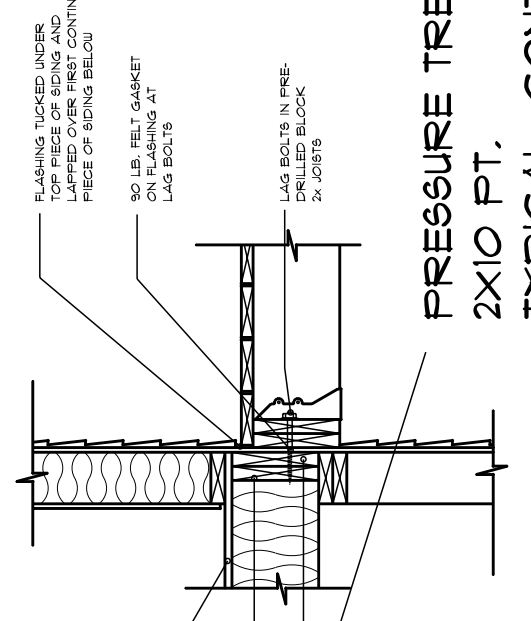
CROSS SECTION



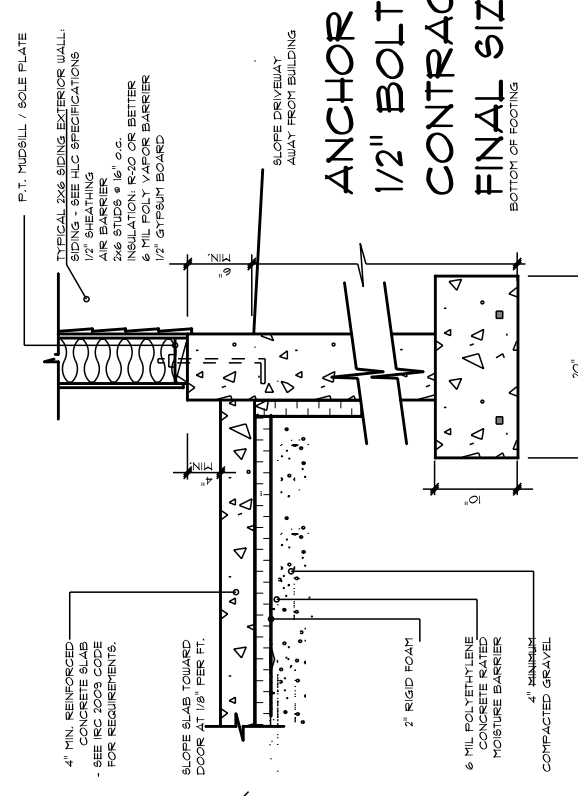
DOUBLE 2X10 PRESSURE TREATED ON 6X6 PT POST
 CONTRACTOR TO VERIFY

TYPICAL: 10" SONOTUBE
 FINAL SIZE SPECIFIED BY CONTRACTOR

DECK JOIST: 2X10 PT. 16" O.C.
 TYPICAL: CONTRACTOR TO VERIFY



PRESSURE TREATED LEDGER
 2X10 PT.
 TYPICAL: CONTRACTOR TO VERIFY



FOURED CONCRETE FOOTING AT GARAGE
 REFER TO IRC 2009 FOR CODE REQUIREMENTS.