

SILVA RENOVATION
 77 Rustic Lane, Portland, Maine 04103

May 3, 2012

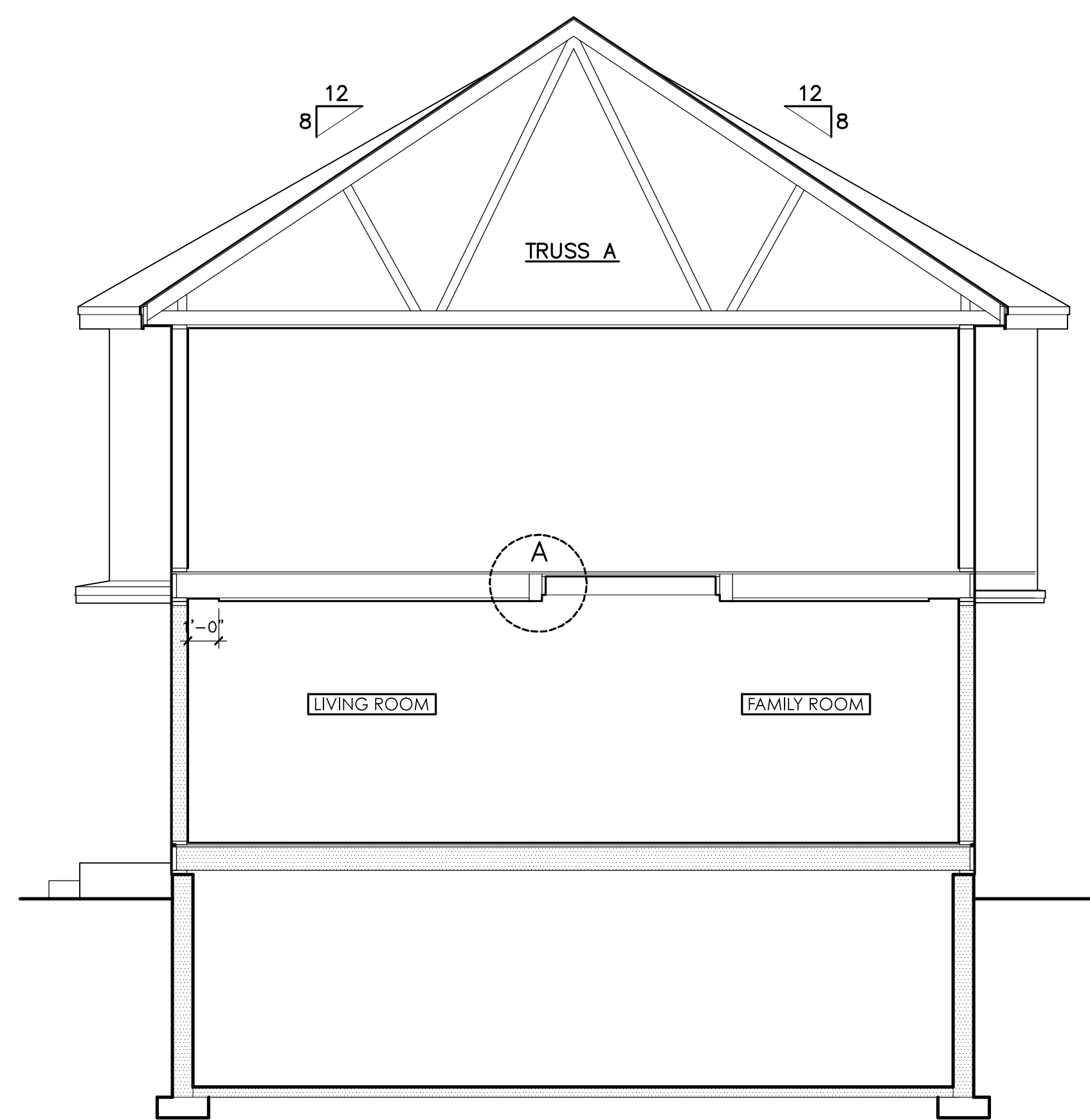
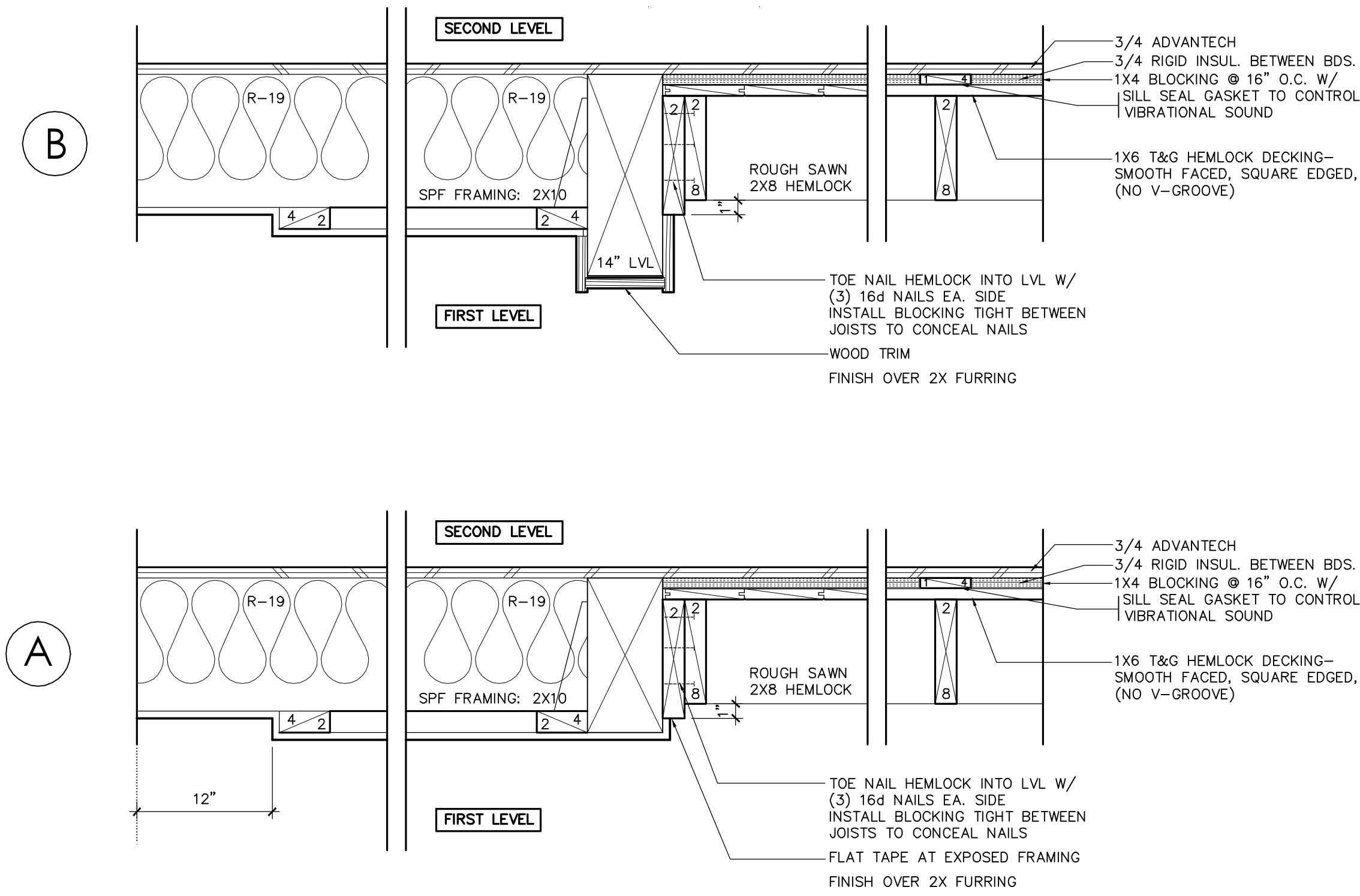
▶ Bldg. Sections/Details

DRAWING SHEETS

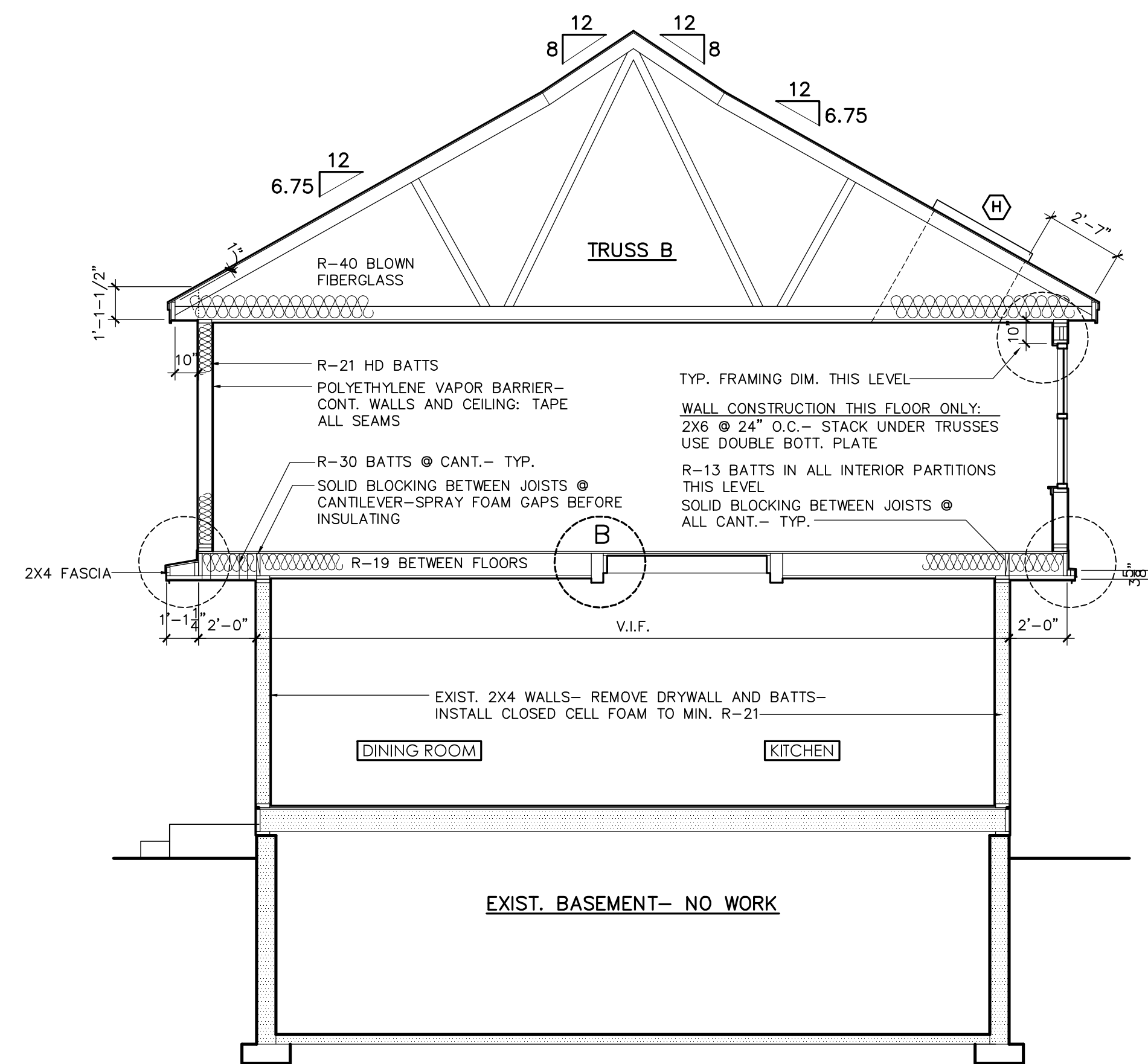
- A1 First & Second Floor Plans
- A2 Bldg. Elevations, Sched.
- A3 Building Sections, Notes
- A4 Lighting Plans

PERMIT

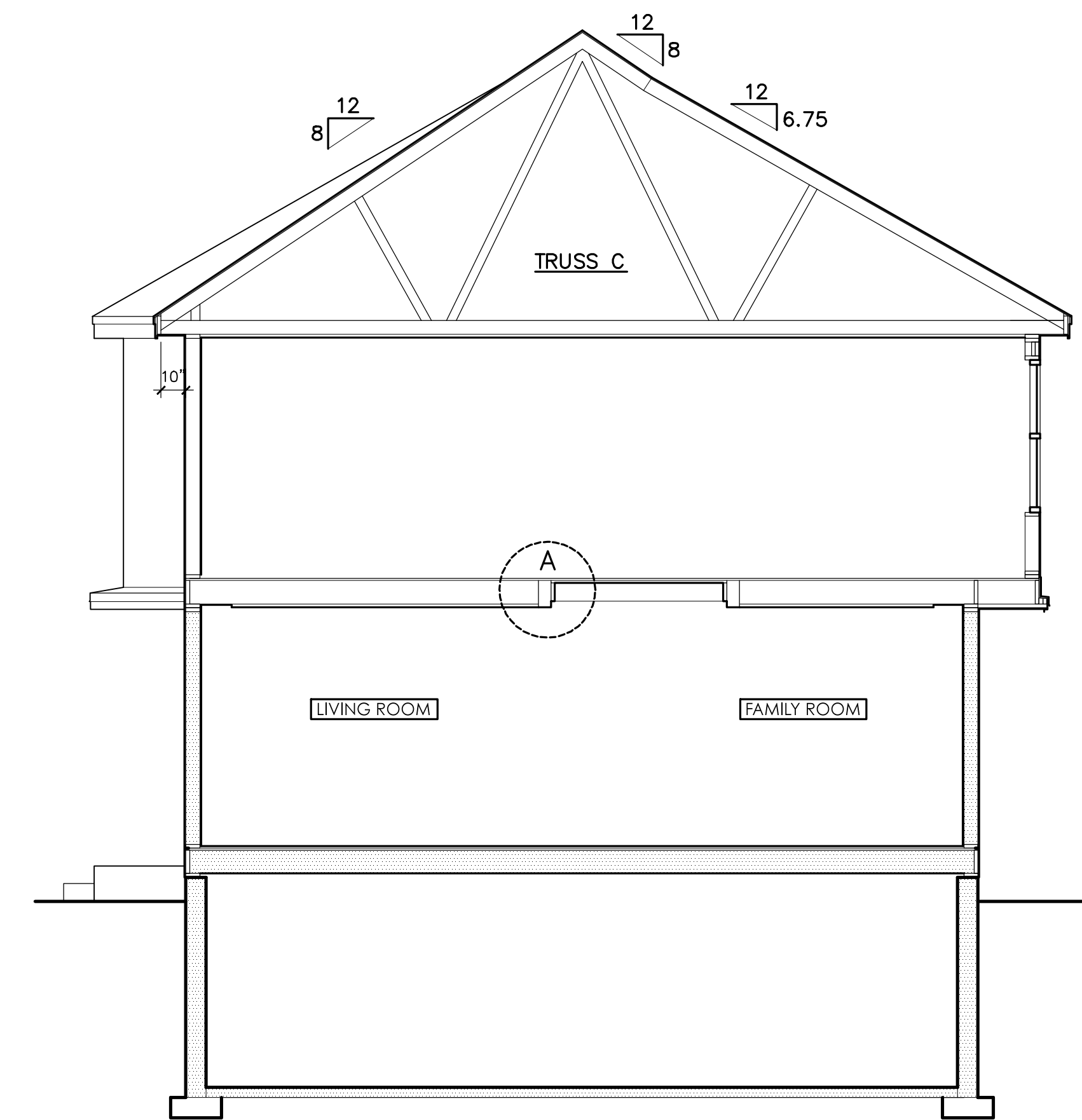
A-3



01 BUILDING SECTION A
 scale: 1/4" = 1'-0"



02 BUILDING SECTION B
 scale: 1/4" = 1'-0"



03 BUILDING SECTION C
 scale: 1/4" = 1'-0"