

City of Portland, Maine - Building or Use Permit Application

389 Congress Street, 04101 Tel: (207) 874-8703, Fax: (207) 874-8716

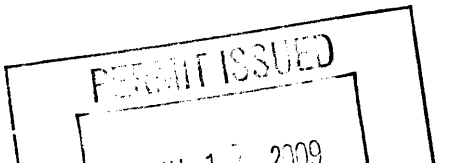
Permit No: 09-0622	Issue Date: 06/17/2009	CBL: 380A A046001
-----------------------	---------------------------	----------------------

Location of Construction: 124 SUMMIT PARK AVE	Owner Name: ADAMS VIRGINIA M WID WWII	Owner Address: 124 SUMMIT PARK AVE	Phone:
Business Name:	Contractor Name: Home Brands, Inc	Contractor Address: 755 Banfield Road Portsmouth	Phone 6038681300
Lessee/Buyer's Name	Phone:	Permit Type: HVAC	Zone: R-3

Past Use: Single Family Home	Proposed Use: Single Family Home - install a Magnum Winchester Pellett Fireplace Insert	Permit Fee: \$40.00	Cost of Work: \$1,900.00	CEO District: 5
		FIRE DEPT: <input type="checkbox"/> Approved <input type="checkbox"/> Denied N/A	INSPECTION: Use Group: R3 Type: HVAC IMC 2003 Signature: JMB 6/17/09	

Proposed Project Description: install a Magnum Winchester Pellett Fireplace Insert	Signature:	Signature: JMB 6/17/09
PEDESTRIAN ACTIVITIES DISTRICT (P.A.D.)		
Action: <input type="checkbox"/> Approved <input type="checkbox"/> Approved w/Conditions <input type="checkbox"/> Denied		
Signature:		Date:

Permit Taken By: Ldobson	Date Applied For: 06/17/2009	Zoning Approval
-----------------------------	---------------------------------	------------------------

<p>1. This permit application does not preclude the Applicant(s) from meeting applicable State and Federal Rules.</p> <p>2. Building permits do not include plumbing, septic or electrical work.</p> <p>3. Building permits are void if work is not started within six (6) months of the date of issuance. False information may invalidate a building permit and stop all work..</p>	<p>Special Zone or Reviews</p> <input type="checkbox"/> Shoreland <input type="checkbox"/> Wetland <input type="checkbox"/> Flood Zone <input type="checkbox"/> Subdivision <input type="checkbox"/> Site Plan Maj <input type="checkbox"/> Minor <input type="checkbox"/> MM <input type="checkbox"/> Date: JMB	<p>Zoning Appeal</p> <input type="checkbox"/> Variance <input type="checkbox"/> Miscellaneous <input type="checkbox"/> Conditional Use <input type="checkbox"/> Interpretation <input type="checkbox"/> Approved <input type="checkbox"/> Denied Date:	<p>Historic Preservation</p> <input checked="" type="checkbox"/> Not in District or Landmark <input type="checkbox"/> Does Not Require Review <input type="checkbox"/> Requires Review <input type="checkbox"/> Approved <input type="checkbox"/> Approved w/Conditions <input type="checkbox"/> Denied Date: JMB
			

CERTIFICATION

I hereby certify that I am the owner of record of the named property, or that the proposed work is authorized by the owner of record and that I have been authorized by the owner to make this application as his authorized agent and I agree to conform to all applicable laws of this jurisdiction. In addition, if a permit for work described in the application is issued, I certify that the code official's authorized representative shall have the authority to enter all areas covered by such permit at any reasonable hour to enforce the provision of the code(s) applicable to such permit.

SIGNATURE OF APPLICANT	ADDRESS	DATE	PHONE
RESPONSIBLE PERSON IN CHARGE OF WORK, TITLE		DATE	PHONE

BUILDING PERMIT INSPECTION PROCEDURES

Please call 874-8703 or 874-8693 (ONLY)

to schedule your inspections as agreed upon

Permits expire in 6 months, if the project is not started or ceases for 6 months.

The Owner or their designee is required to notify the inspections office for the following inspections and provide adequate notice. Notice must be called in 48-72 hours in advance in order to schedule an inspection:

By initializing at each inspection time, you are agreeing that you understand the inspection procedure and additional fees from a "Stop Work Order" and "Stop Work Order Release" will be incurred if the procedure is not followed as stated below.

A Pre-construction Meeting will take place upon receipt of your building permit.

 X **Final inspection required at completion of work.**

Certificate of Occupancy is not required for certain projects. Your inspector can advise you if your project requires a Certificate of Occupancy. All projects DO require a final inspection.

If any of the inspections do not occur, the project cannot go on to the next phase, REGARDLESS OF THE NOTICE OR CIRCUMSTANCES.

CERIFICATE OF OCCUPANICES MUST BE ISSUED AND PAID FOR, BEFORE THE SPACE MAY BE OCCUPIED.

Michael B Adams

Signature of Applicant/Designee

6-17-09

Date

[Signature]

Signature of Inspections Official

6-17-09

Date

City of Portland, Maine - Building or Use Permit

389 Congress Street, 04101 Tel: (207) 874-8703, Fax: (207) 874-8716

Permit No: 09-0622	Date Applied For: 06/17/2009	CBL: 380A A046001
------------------------------	--	-----------------------------

Location of Construction: 124 SUMMIT PARK AVE	Owner Name: ADAMS VIRGINIA M WID WWII	Owner Address: 124 SUMMIT PARK AVE	Phone:
Business Name:	Contractor Name: Home Brands, Inc	Contractor Address: 755 Banfield Road Portsmouth	Phone (603) 868-1300
Lessee/Buyer's Name	Phone:	Permit Type: HVAC	

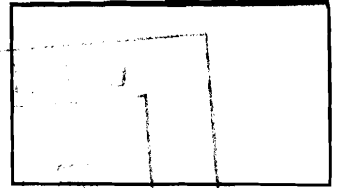
Proposed Use: Single Family Home - install a Magnum Winchester Pellett Fireplace Insert	Proposed Project Description: install a Magnum Winchester Pellett Fireplace Insert
---	--

Dept: Zoning	Status: Not Applicable	Reviewer: Jeanine Bourke	Approval Date:	Ok to Issue: <input type="checkbox"/>
Note:				
Dept: Building	Status: Approved with Conditions	Reviewer: Jeanine Bourke	Approval Date: 06/17/2009	Ok to Issue: <input checked="" type="checkbox"/>
Note:				
1) This solid fuel appliance/stove/insert shall be installed, operated and maintained per the manufacturers specifications, the UL listing, NFPA 211 and IMC 2003. 2) The appliance shall be installed in accordance with the IMC 2003 and NFPA 211. 3) A copy of the enclosed chimney or fireplace disclosure must be submitted to this office upon completion of the permitted work. 4) Installation shall comply with 2003 International Mechanical Code and State of Maine Oil and Solid Fuel Board Laws and Rules				



FILL IN AND SIGN WITH INK

APPLICATION FOR PERMIT HEATING OR POWER EQUIPMENT



To the INSPECTOR OF BUILDINGS, PORTLAND, ME.

The undersigned hereby applies for a permit to install the following heating, cooking or power equipment in accordance with the Laws of Maine, the Building Code of the City of Portland, and the following specifications:

Location / CBL 124 Summit Park Ave 380 AA46 Use of Building Single Home Date 6-16-01

Name and address of owner of appliance Michael B Adams
124 Summit Park Ave Portland

Installer's name and address Greg Weatherly Home Brands Inc ext
785 Banfield Rd Portsmouth NH 03801 Telephone 1-266-254-0281 317

Location of appliance:

- Basement
- Attic
- Floor
- Roof

Fire place insert

Type of Fuel:

- Gas
- Oil
- Solid

Pellets

Appliance Name: _____

U.L. Approved Yes No

Will appliance be installed in accordance with the manufacture's installation instructions? Yes No

IF NO Explain: _____

The Type of License of Installer:

- Master Plumber # N/A
- Solid Fuel # _____
- Oil # _____
- Gas # _____
- Other _____

Type of Chimney:

- Masonry Lined

Factory built _____

- Metal

Factory Built U.L. Listing # C1482-M 1990

- Direct Vent

Type Direct vent UL# 143-P 02.2

Type of Fuel Tank

- Oil
- Gas

Size of Tank _____

Number of Tanks _____

Distance from Tank to Center of Flame _____ feet.

Cost of Work: \$ 4,500

Permit Fee: \$ 40

Approved

Approved with Conditions

Fire: _____

Ele.: _____

Bldg.: _____

- See attached letter or requirement

Inspector's Signature _____

Date Approved _____

Signature of Installer Michael B Adams

Customer Name Michael B Adams Primary Phone 207-797-3408
 Street Address 124 Summit PK Ave Cell Phone _____
 Town / City Portland State Maine Zip 04103
 Confirm Stove Model Purchased: Home Depot (ie.: Magnum Win-ACI or Magnum 3502)

Information about your existing fireplace

Do you know if your chimney is lined?

- Do not know
 Yes- it is lined
 No- it is not

If lined, what is the lining material?

?

How many years old is your fireplace and chimney?
49 years

Are there any current disrepair issues on your chimney?

- yes no

Explain: _____

When was your chimney last professionally cleaned?

5 years

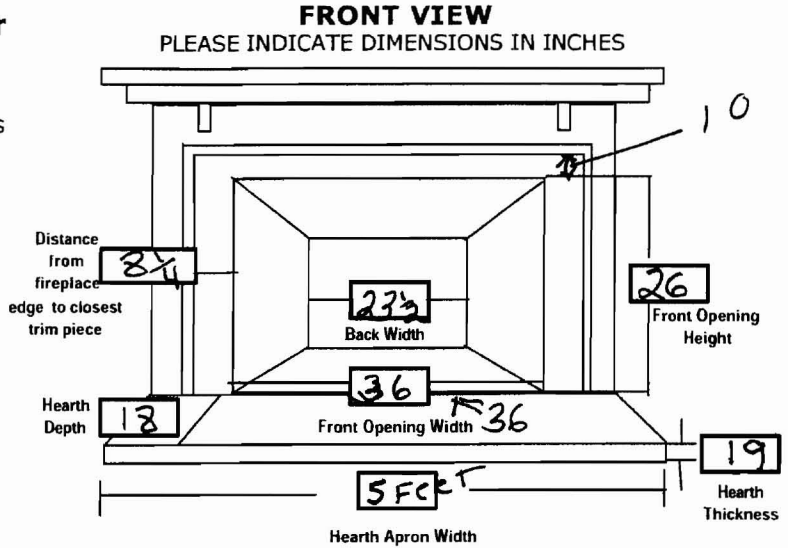
When was your fireplace last used? yes - 3 times

What was chimney used for?

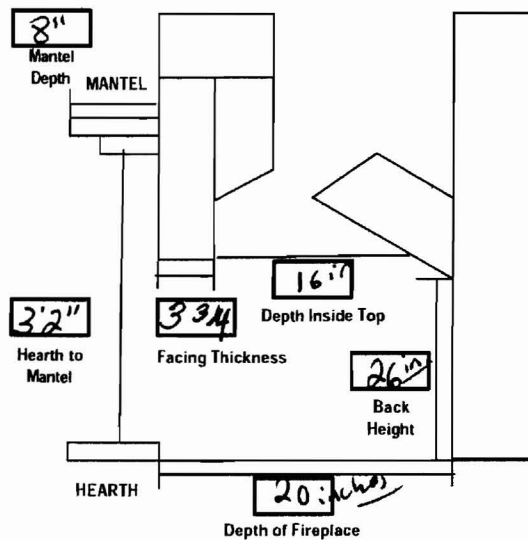
- Gas fire
 Wood Fire
 Other _____

Is chimney primarily built inside or outside your home?

yes



CHIMNEY SIDE CUT-AWAY VIEW (A CROSS SECTION INSIDE YOUR FIREPLACE)
PLEASE INDICATE DIMENSIONS IN INCHES



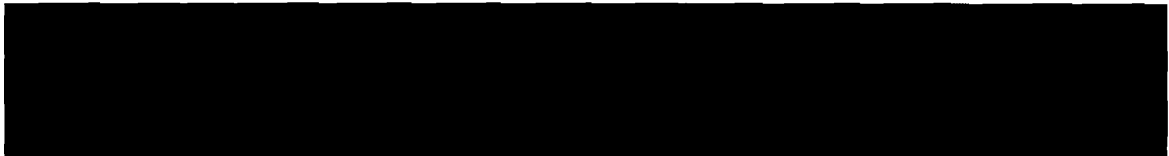
Customer Signature Michael B Adams Date 6-16-09



We will be contacting you to discuss your fireplace insert installation, please get a head start on collecting this information now.

Toll Free 866-264-0761

Monday – Friday 8am to 5pm



Free Standing	Fireplace Insert
----------------------	-------------------------

Combustible Clearance	Magnum BC-AC	Country Flame HR-01	Magnum Win ACI	Magnum 3502
		<i>All dimensions in inches</i>		
From Side Wall	9	2	12	1
From Back	3	2		9
From Corner	3	2		1
From Top	-	8	15 from mantel	-

Floor Protection	Magnum BC-AC	Country Flame HR-01	Magnum Win ACI	Magnum 3502
		<i>All dimensions in inches</i>		
In front of Stove	6	6	16	6
From sides of stove	9	6	9	8

All stoves must be installed on non-combustible floor protection such as hearth pad or other treatment which meets code

MAGNUM WINCHESTER

Corn/Biomass/Wood Pellet Stove

Models: WINACP, WINACI, WINDCI, WINDCP

Owner's Manual

Installation – Operation – Maintenance Instructions

NOTE: THESE INSTRUCTIONS MUST BE SAVED for future reference

PLEASE READ THIS ENTIRE MANUAL BEFORE INSTALLATION AND USE OF THIS PELLET BURNING STOVE. FAILURE TO FOLLOW THESE INSTRUCTIONS MAY RESULT IN PROPERTY DAMAGE, BODILY INJURY OR EVEN DEATH.

IMPORTANT: Always contact your local MagnuM dealer/installer with questions before contacting the factory. When you call, have your serial number, purchase date, who installed the unit and a list of questions.

- ✓ When installing your **MagnuM Winchester (WIN) Corn/Biomass/Wood Pellet** stove, particular attention needs to be made in regards to fire protection. If the unit is not properly installed, a house fire may result. For your safety, follow the installation and operation instructions provided, and if a question arises contact local building or fire officials about restrictions and installation requirements in your area.
- ✓ Read the operations and fuel section of this manual before plugging in your unit.
- ✓ Always unplug the unit before attempting any service work.
- ✓ Do not connect the unit to a chimney flue already serving another appliance.
- ✓ When installing the chimney pipe to the unit, it is important to remember that the unit operates on a negative pressure and the chimney on a positive pressure. All chimney connections, elbows and fittings must be airtight. **(Proper venting practices must be followed. Consult with a venting professional)**
- ✓ Ashes must be disposed of in a metal container with a tight fitting lid.
- ✓ All minimum clearances to combustibles must be followed.
- ✓ The **MagnuM Corn/Biomass/Wood Pellet Stove** is tested for operation with wood pellets, with an ash content of no more than 2% and Corn with a moisture content from 10-14 percent. **It is recommended that wood pellets with an ash content of 1% or less be used for efficient operation of this unit. Higher ash content fuels will require additional maintenance and service. Also, for use with wood pellets, cherry pits, olive pits or other pelletized Biomass fuel. Corn with 11-12 percent moisture is ideal.**
- ✓ **It is important to use fuel that is clean, dry and consistent.** Make sure that your supplier is giving you the same fuel each time that you purchase. It is recommended that you purchase your entire heating season supply of fuel at one time so that the fuel will be the same.
- ✓ **A voltage surge protector or ground fault outlet is required for this unit. The electrical component warranty will be voided if surge protection is not installed before operating this unit.**
- ✓ **A grounded outlet must be provided with proper polarity. A constant 115 volt (12volt on DC models), 60 cycles must be provided for proper operation or the warranty of this appliance will be forfeited.**
- ✓ **Special attention needs to be taken to clean out the top heat exchangers of this unit on a regular basis. The fly ash settles on the heat exchangers and must be cleaned off to keep the unit operating properly. Check for plugging every two-four weeks or when needed.**
- ✓ **If unit is not operated for extended periods of time (like summer) unplug the unit and disconnect the battery to assure long life of electrical components.**

AMERICAN ENERGY SYSTEMS, INC. GRANTS NO WARRANTY, IMPLIED OR STATED, FOR THE INSTALLATION OR MAINTENANCE OF THE STOVE AND ASSUMES NO RESPONSIBILITY FOR ANY CONSEQUENTIAL DAMAGE(S).

AMERICAN ENERGY SYSTEMS, INC. - 150 Michigan Street SE - HUTCHINSON, MINNESOTA 55350

Web Site: www.MagnuMheat.com

MAGNUM WIN INSERT INSTALLATION

CLEARANCES - MASONRY FIREPLACES

FLOOR PROTECTION - The hearth and floor area underneath the insert, **MUST BE COMPLETELY NON-COMBUSTIBLE, WITH NO WOOD UNDERNEATH.**

The following are clearances to combustibles - **MASONRY FIREPLACE BUILT TO UBC CHAPTER 37.**

MINIMUM CLEARANCES TO COMBUSTIBLES

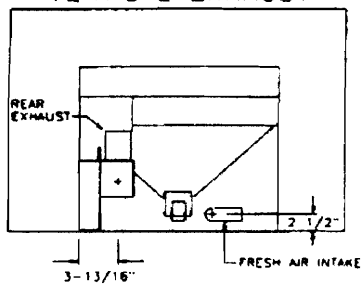
- A - Top of stove to mantle..... 15" in.
- B - Side of stove to sidewall..... 12" in.
- C - Side Hearth Extension..... 9" in.
- D - Hearth extension..... 16" in.

MINIMUM OPENING FOR INSERT INSTALLATION

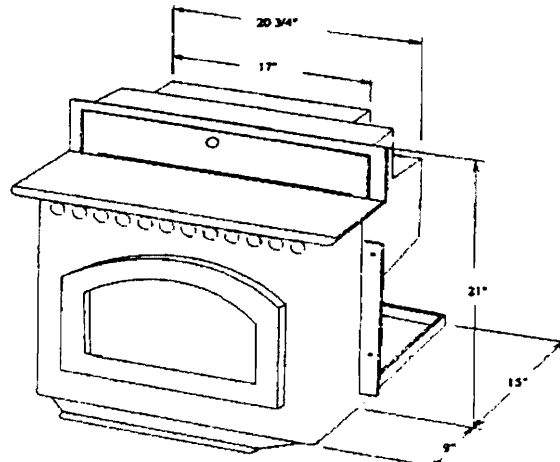
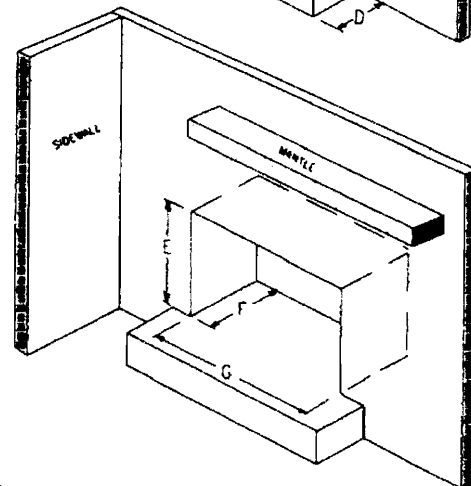
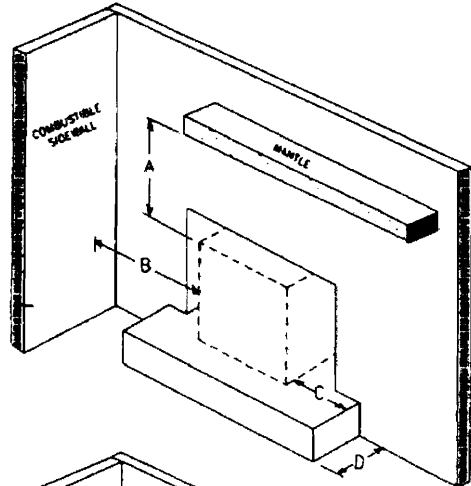
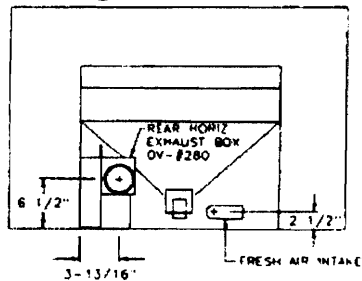
- E - Height.....21.5" in.
- F - Depth.....16" in.
- G - Width (at front).....30" in.
- Width (at 15 inches depth).....21" in.

EXHAUST & FRESH AIR LOCATION

VERTICAL EXHAUST



HORIZONTAL EXHAUST



INSTALLATION INSTRUCTIONS

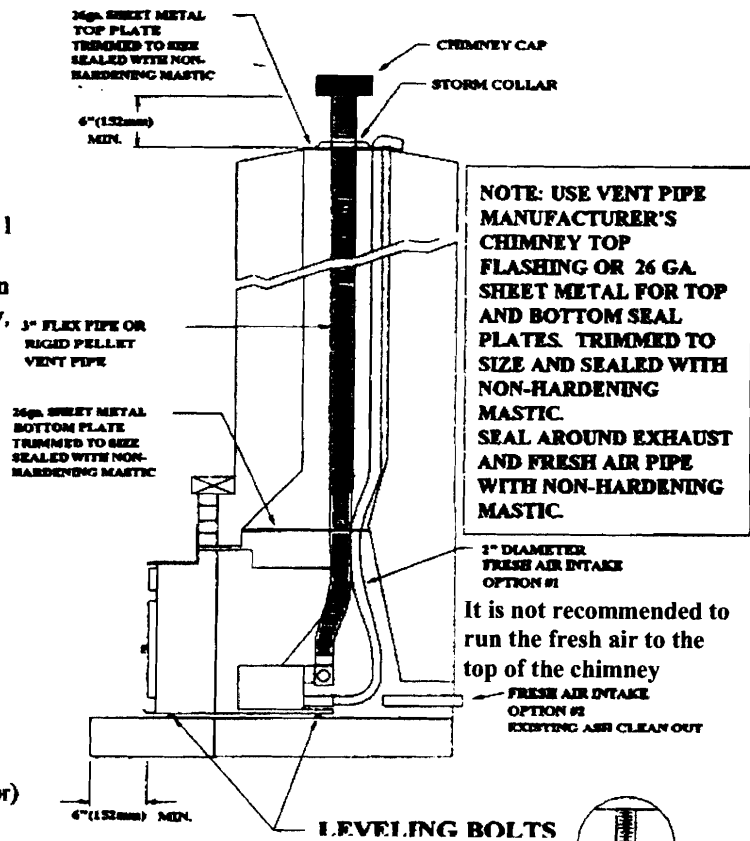
VERTICAL INSTALLATION

The fireplace and chimney should be cleaned before installing. Painting the interior will help seal any odors.

1. Measure the fireplace to determine that the stove will fit to specifications and clearances to combustibles per safety label and clearance section of this manual.
2. Remove or secure the flue damper to the open position.
3. Venting of the exhaust may be terminated 36" above the bottom seal plate or extended to the chimney top.
4. Extending the exhaust to the chimney top is recommended in all fireplaces.

EXTENDING EXHAUST TO CHIMNEY TOP

1. Route 3" flex stainless steel chimney pipe at least 3' beyond the desired termination point to insure enough length for proper connection to the stove flue collar when the stove is positioned in the fireplace opening. (6" min. length of liner is required at top after liner is properly installed).
2. An outside air source must be connected to the stove with 2" diameter Class 0 or Class 1 flexible duct pipe or other metal pipe at least 0.016 inches thick. Fresh air can be brought in through the ash clean-out door, top of chimney, or a hole drilled through the rear of chimney.
3. Measure and install bottom seal plate and top seal plate. Cut out holes for exhaust and combustion air.
4. Seal plates with non-hardening mastic. Place non-hardening mastic around exhaust and fresh air pipe.
5. Install chimney cap on exhaust. Terminate fresh air at top by bending pipe as illustrated. Place 1/4" mesh screen on end of fresh air for rodent guard.
6. Provide or otherwise install 110 volt A.C. power receptacle as required to make the necessary power connections. (In some cases a power source can be brought in through the rear ash door or ash trap in floor)
7. Position the stove in the fireplace and adjust the leveling bolts if necessary.
8. Route power cord out the side of the stove closest to 110V receptacle. **Do not place power cord next to the side of stove. Do not route power cord under the stove.**
9. Place the power cord behind the side panel and use the "channel" created by the mortar joint between brick or rock to route the power cord out of the firebox.
10. Connect the 3" flex stainless steel pipe to the stove flue collar and slide stove back to final position.



LEVELING BOLTS
Your installer will determine what type of leveling bolts or other means that will level the unit properly.

It is best to route the fresh air intake either out the back of the fireplace cavity or down and out to an outside air source. Running the fresh air up and out the top of the chimney can cause excessive draft issues.

INSTALLATION INSTRUCTIONS....Continued

HORIZONTAL VENT TERMINATION CLEARANCES

EXHAUST VENT TERMINATION SHALL BE AS FOLLOWS:

- A MINIMUM OF 4 FEET/1220mm BELOW, BESIDE AND 1 FOOT ABOVE ANY DOOR OR WINDOW THAT OPENS, OR ANY OPENING INTO A BUILDING.
- A MINIMUM OF 2 FEET/610mm FROM ANY ADJACENT BUILDING OR OVERHANG.
- A MINIMUM OF 7 FEET/2130mm ABOVE GRADE, WHEN LOCATED ADJACENT TO PUBLIC WALKWAYS.
- A MINIMUM OF 2 FEET/610mm ABOVE GRASS, PLANTS OR OTHER COMBUSTIBLES.

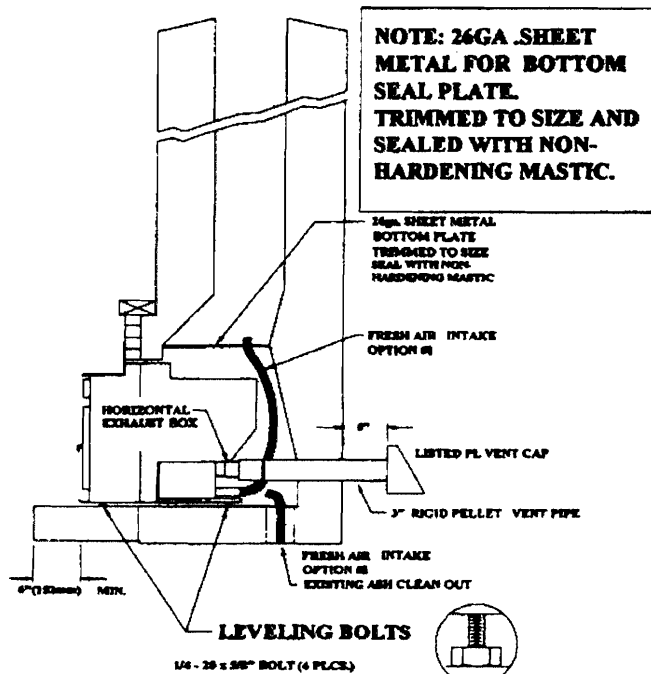
PLEASE FOLLOW THE PIPE MANUFACTURER'S INSTRUCTIONS AND LOCAL BUILDING CODES FOR THE CLEARANCE TO COMBUSTIBLES REQUIRED FOR INSTALLATION OF THE VENT PIPE BEING USED.

HORIZONTAL INSTALLATION INTO A MASONRY FIREPLACE

Non-combustible fireplace hearth and hearth extension.

Note: For horizontal venting use Horizontal Vent Adaptor

1. Measure the fireplace to determine that the stove will fit to specifications and clearances to combustibles per safety label and clearance section of this manual. Maintain exhaust termination clearances as shown above.
2. Maintaining the minimum allowable clearances, determine the exhaust and combustion air hole location
Note: Combustion air may be installed vertically through the chimney cavity.
3. Be careful not to drill or cut into any water lines or electrical wiring as water damage or electrical fire may result.
4. Enlarge the hole as required for the installation of the listed pellet vent pipe.
5. Position the stove in the fireplace and adjust the leveling bolts if necessary.
6. Install the 3" rigid pellet vent pipe through the opening and connect to stove flue collar.
7. Place listed cap on exterior maintaining minimum clearance as shown.
8. Provide or otherwise install 110 volt A.C. power receptacle as required to make the necessary power connections. (In some cases a power source can be brought in through the rear ash door or ash trap in the floor) Do not route the power cord under the stove. Do not route the power cord next to the side of the stove.
9. Place the power cord behind the side panel and use the "channel" created by the mortar joint between brick or rock to route the power cord out of the firebox.
10. Install shroud and trim as shown
11. Slide insert back into final position. Do not restrict air flow through vents in the shroud.
12. Route the wiring harness through the cutout on side panel "B"



INSTALLATION INSTRUCTIONS....Continued

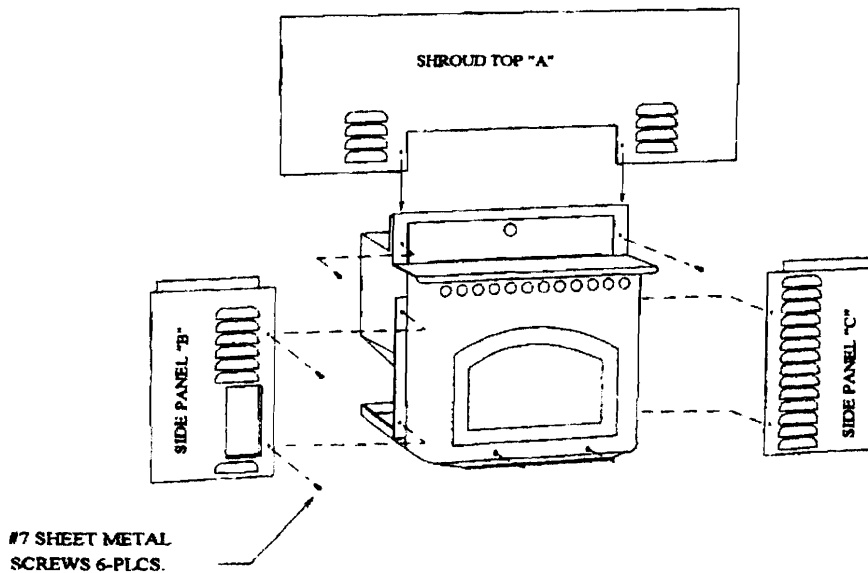
SHROUD and TRIM INSTALLATION

1. Install shroud top "A" to the stove. Align the top with corresponding holes on stove (see diagram below). Fasten with the # 7 sheet metal screws that are provided.
2. Slide the top lip of side panel "B" & "C" under the Shroud Top "A" and align with corresponding holes. Fasten with the # 7 sheet metal screws that are provided (see diagram below).
3. Attach the trim pieces to the sides and top of shroud. Trim may be cut if necessary.
4. Route the wiring harness through the cutout on side panel "B".
5. Slide insert back into final position. Do not restrict air flow through vents in the shroud.

Do not route power cord under the stove or next to the side of the stove.

Place the power cord behind the side panel and use the "channel" created by the mortar joint between the brick or rock to route the power cord out of the firebox.

Fireplace Insert Shroud Installation Diagram:



Subj: **Permit from City of Portland**
Date: 6/16/2009 1:49:56 PM Eastern Daylight Time
From: cweatherby@homeinstallpro.com
To: jema2300@aol.com

Hi Mike,

Keith returned my call and it turns out that you do need a permit. He apologized for the mistake. He is recently promoted and sees now that it is a "Permit for Heating or Power Equipment" that is needed.

Here is some of the information you will need when filling out the application:

Installer's name and address:

Home Brands, Inc.
755 Banfield Rd.
Portsmouth, NH 03801
603-868-1300

Type of Fuel:

Solid

Appliance name:

Magnum Pellet Stove WIN-ACI insert
UL Approved: YES #ULC C1482-M1990

Type of License of Installer: N/A

Type of Chimney:

Duravent - Pelletvent Pro UL# 143-P.02.2

Please call me if you have any questions

Thanks

Carol Weatherby
Stick Build Zone Manager
Home Installation Professionals
755 Banfield Rd
Portsmouth, NH 03801

143.P.02.2

1-866-264-0761 Ext. 317

fax 1-603-501-1441

2-21-24-25-26