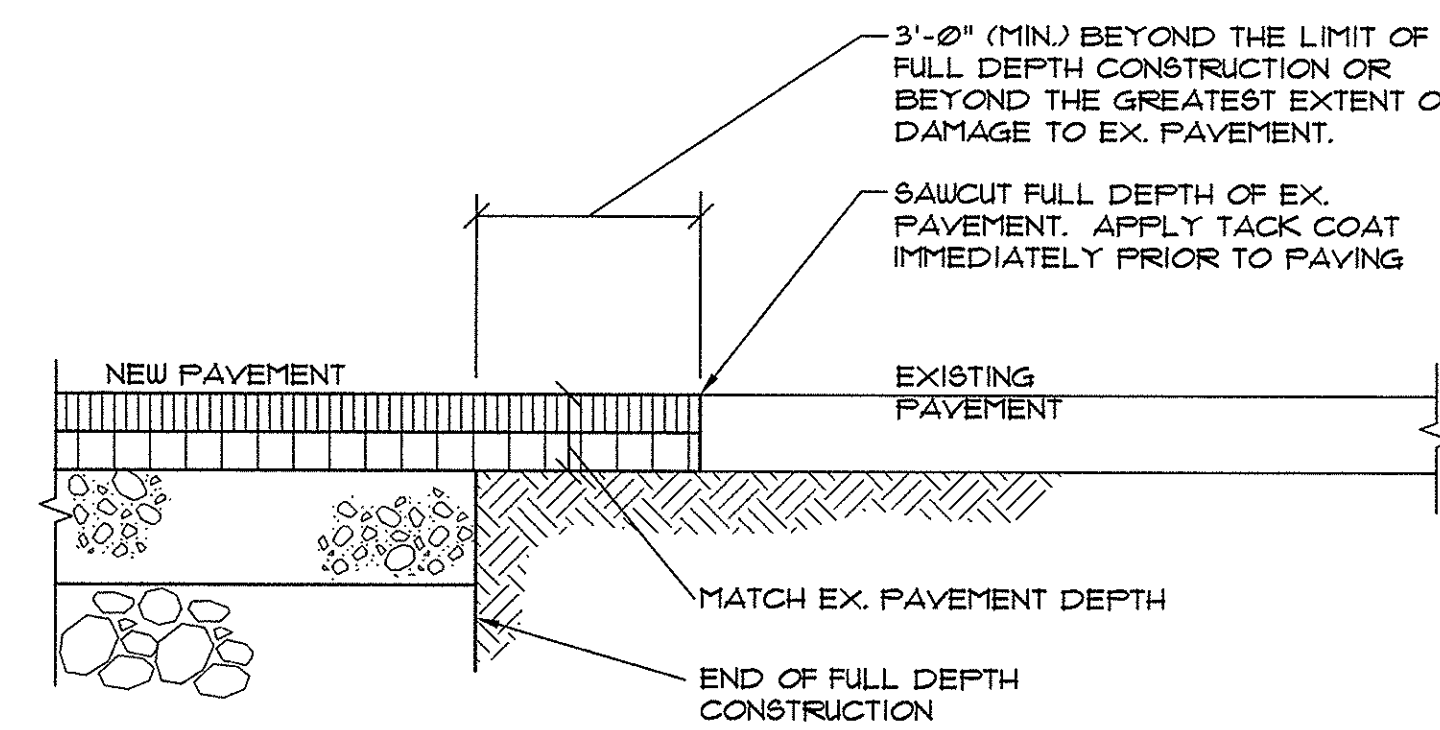


2 BITUMINOUS CURB DETAILS NOT TO SCALE

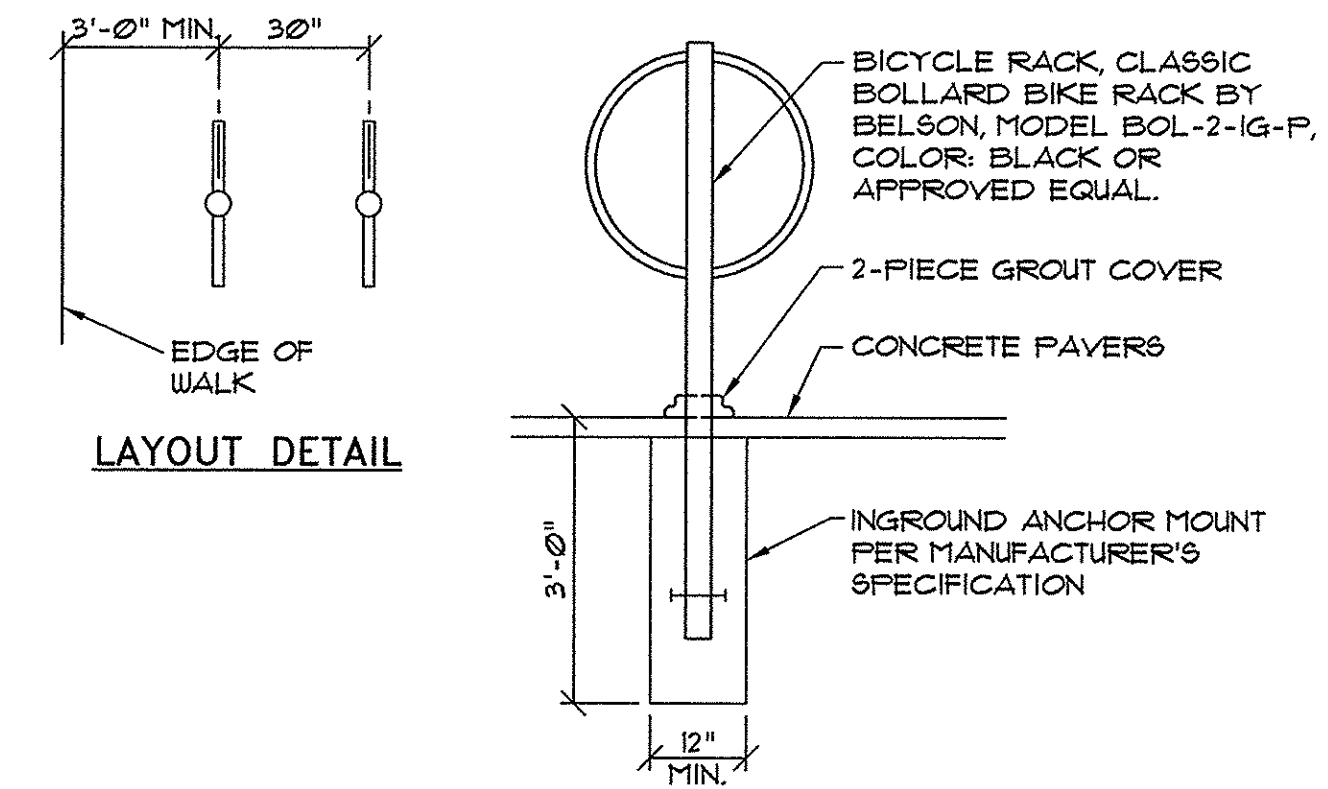


3 PAVEMENT CUTTING & MATCHING SECTION NOT TO SCALE

CONSTRUCTION	USE
	BITUMINOUS PAVEMENT AREA 1
	BITUMINOUS PAVEMENT AREA 2
	BITUMINOUS PAVEMENT AREA 3
	BITUMINOUS SIDEWALKS
	GRASS ALL DISTURBED

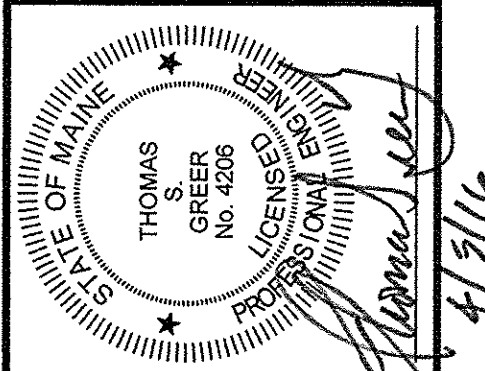
- NOTES:
- HMA = HOT MIX ASPHALT.
MDOT = MAINE DEPARTMENT OF TRANSPORTATION.
 - ALL COURSE THICKNESS AFTER FINAL COMPACTION.

1 SCHEDULE OF SURFACE FINISHES NOT TO SCALE



4 BIKE RACK DETAIL NOT TO SCALE

PINKHAM & GREER CIVIL ENGINEERS
 28 WANKHA AVE. PORTLAND, ME 04103
 TEL: 207.781.5342 FAX: 207.781.6435



REV.	DATE	DESCRIPTION

ALLEN AVENUE UNITARIAN
 UNIVERSALIST CHURCH
 524 ALLEN AVE., PORTLAND MAINE

SCALE: AS SHOWN
 DATE: APRIL 5, 2016
 PROJECT: 14138

DRN BY: JDC/JWG
 DESG BY: TSG
 CHK BY: TSG

PARKING LOT IMPROVEMENTS
 524 ALLEN AVENUE, PORTLAND

DETAILS

C3.3

CITY OF PORTLAND
 APPROVED SITE PLAN
 Subject to Conditions of Approval
 and Standard Conditions

DATE OF APPROVAL: **6-3-2016**
 PLANNER: **Jean Fraser**
 PROJECT NO.: **#2016-077**