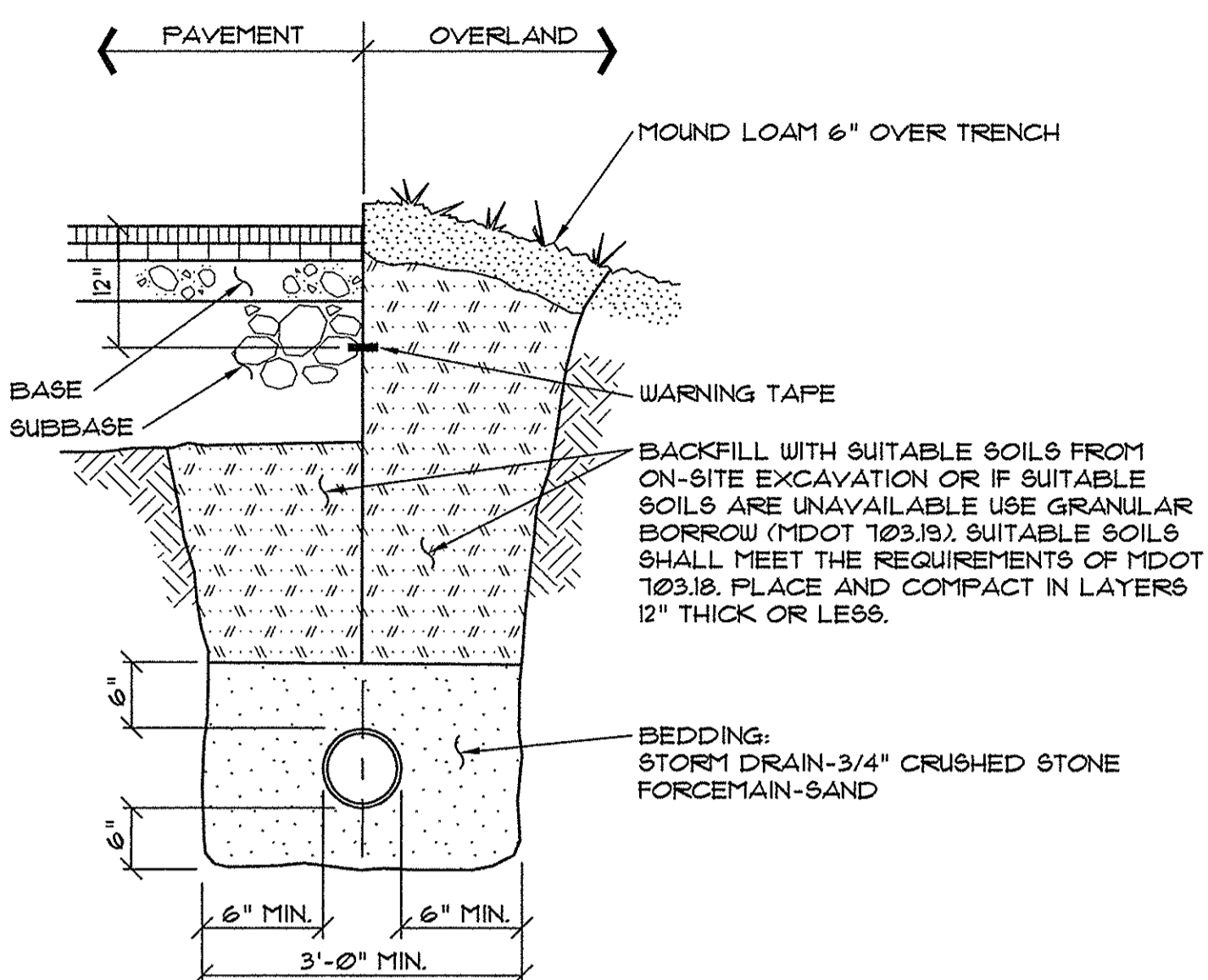


- NOTES:**
1. INSTALLATION SHALL NOT ALLOW INTER-TWING OF CABLES.
 2. DIRECT BURY ELECTRICAL CABLES MAY BE USED IF ALLOWED BY CENTRAL MAINE POWER.
 3. CONFIRM CONDUIT SIZES WITH INDIVIDUAL UTILITY COMPANIES PRIOR TO INSTALLATION.
 4. COORDINATE FINAL LAYOUT WITH INDIVIDUAL UTILITY COMPANIES.

8 CABLE TRENCH SECTION

NOT TO SCALE

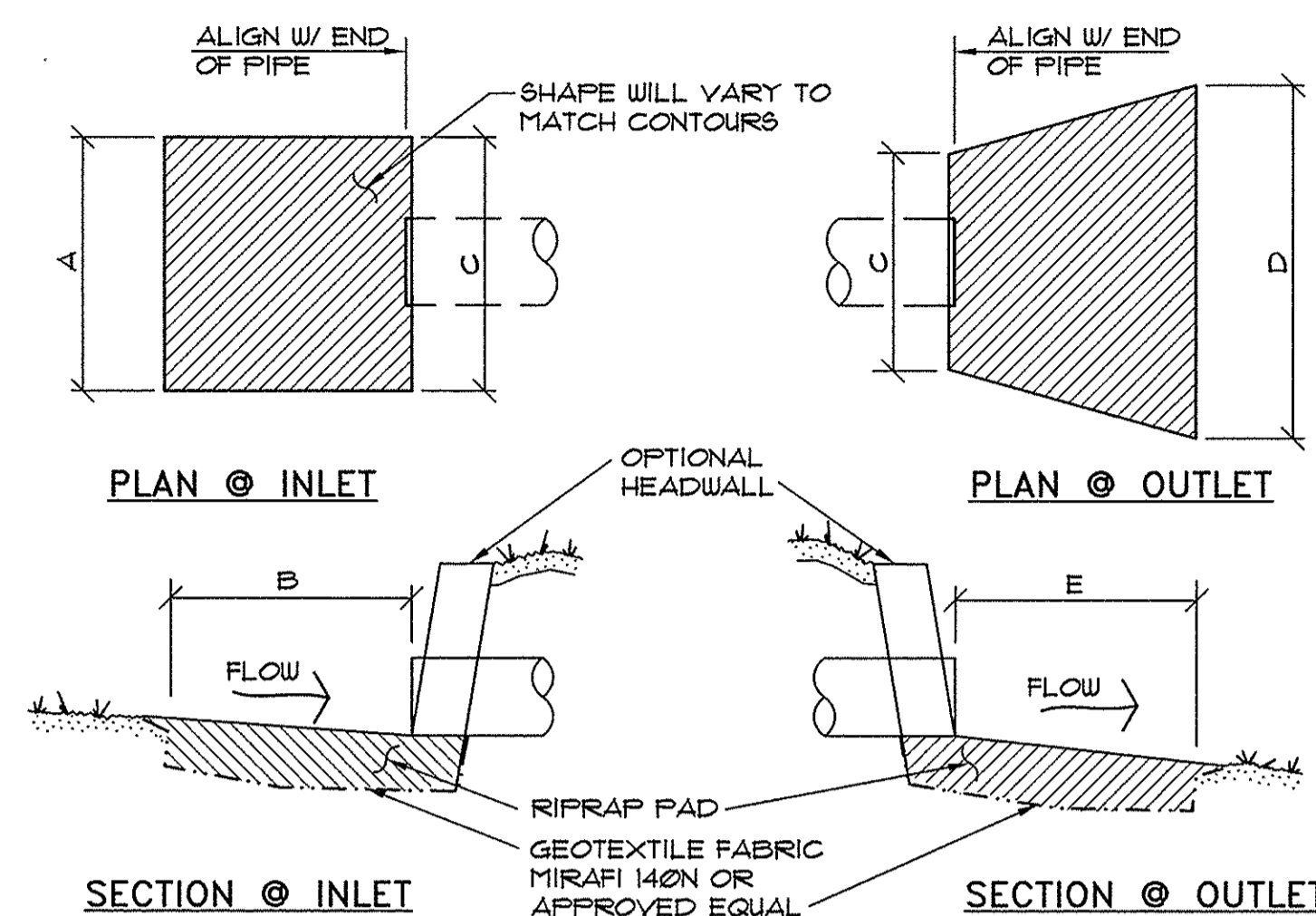


7 TYPICAL TRENCH SECTION

NOT TO SCALE

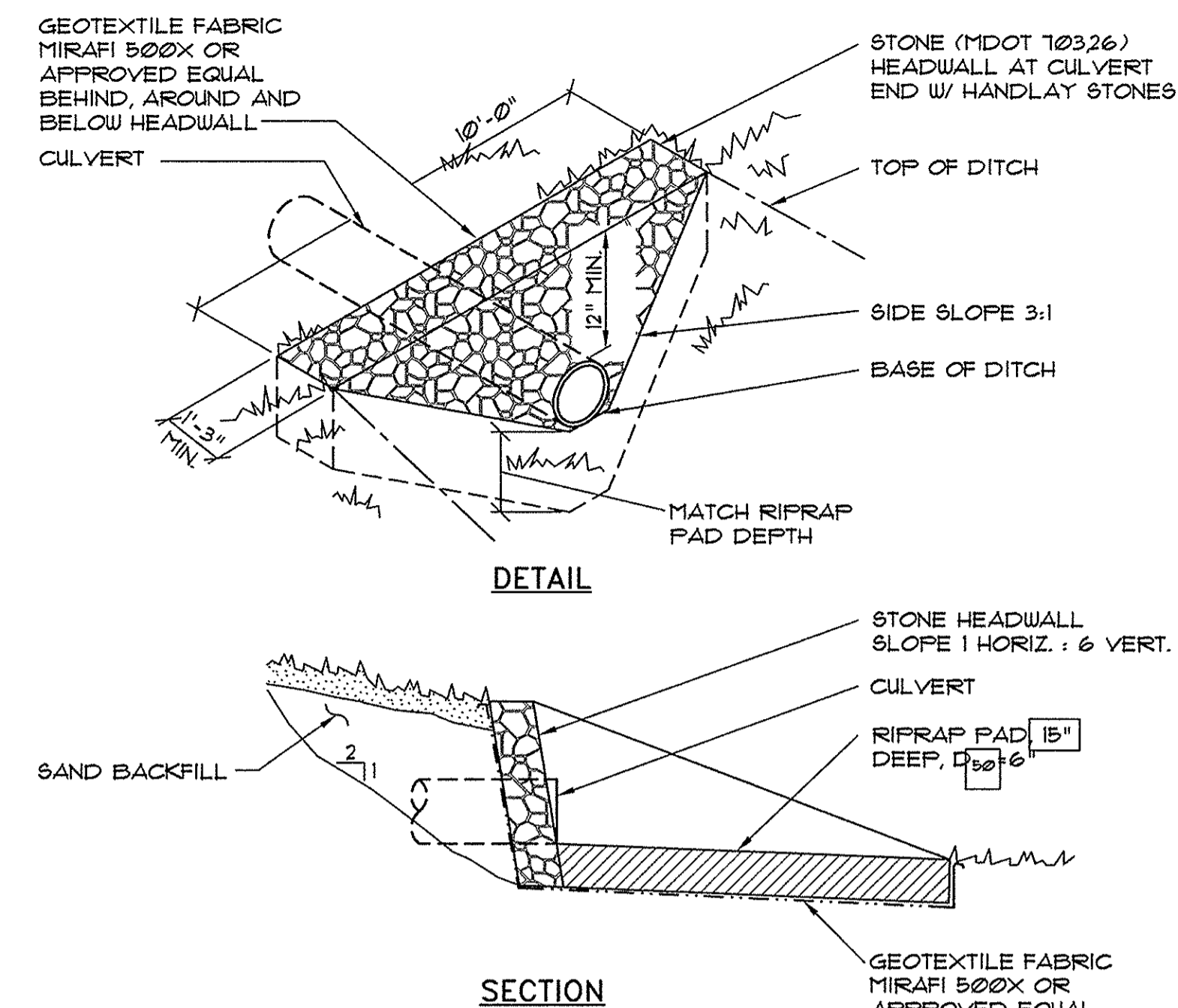
RIFRAP PAD MUST BE INSTALLED WITHIN 48 HOURS OF INSTALLING NEW PIPE OR CULVERT.

PIPE	A	B	C	D	E	PAD DEPTH	D ₉₀
UD OUTLETS	--	--	3 FT.	3 FT.	3 FT.	10"	4"
12"	3 FT.	2 FT.	3 FT.	9 FT.	8 FT.	15"	6"



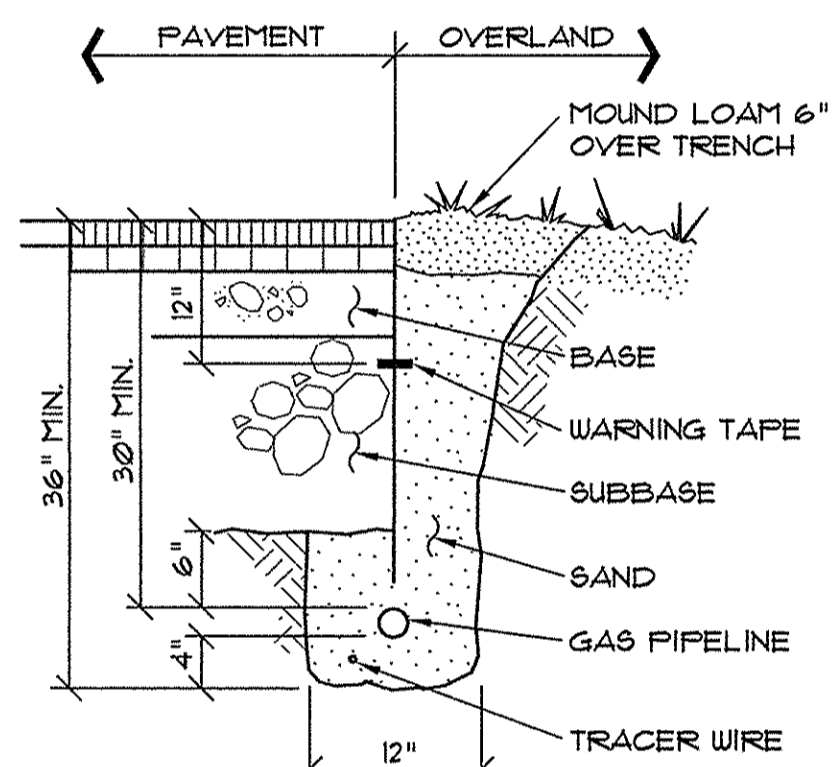
4 RIFRAP PADS & HEADWALLS DETAILS

NOT TO SCALE



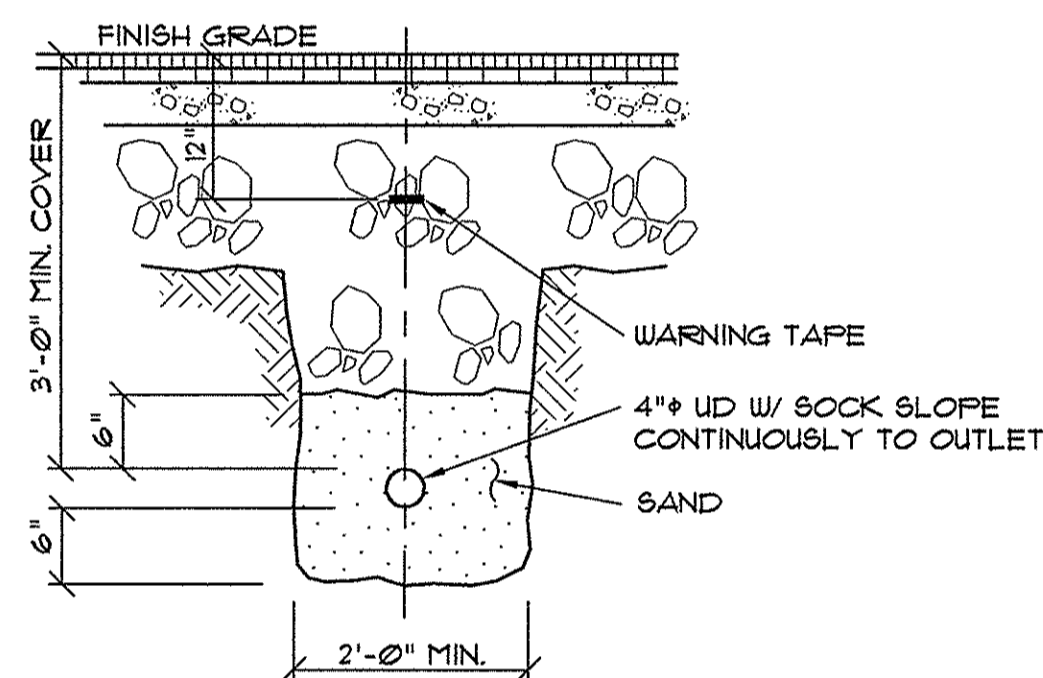
1 STONE HEADWALL

NOT TO SCALE



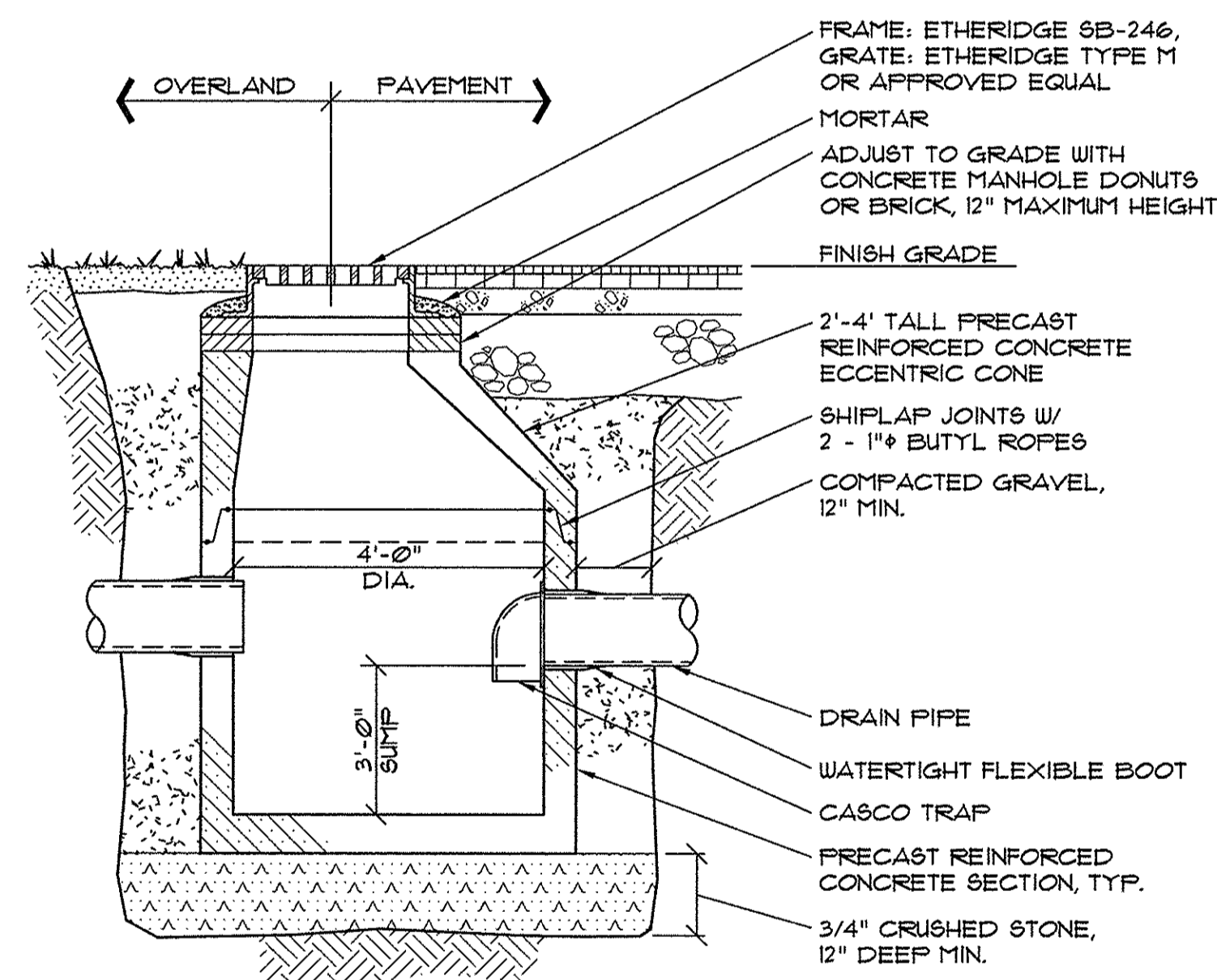
10 GAS PIPING TRENCH SECTION

NOT TO SCALE



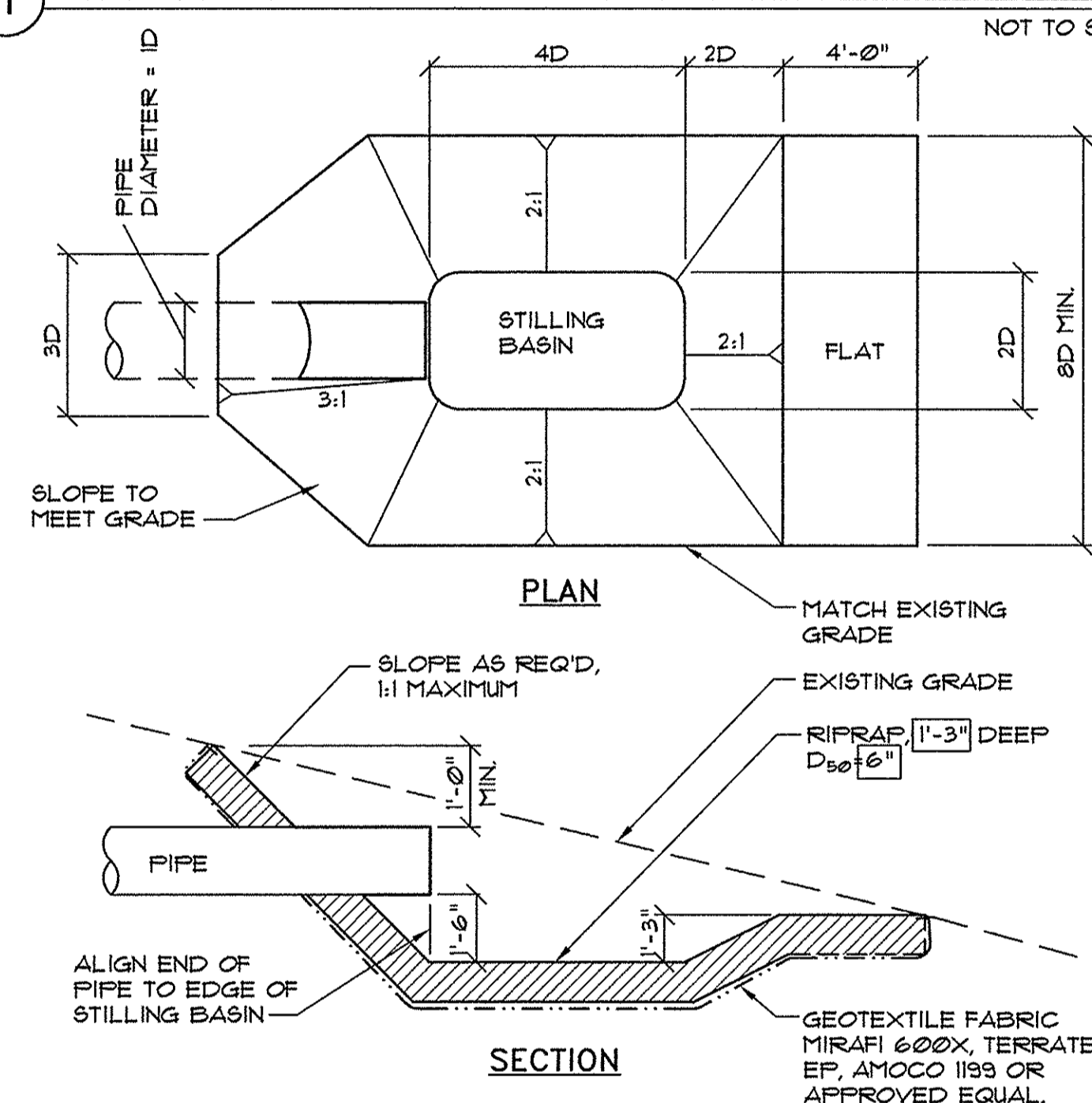
9 UNDERDRAIN TRENCH SECTION

NOT TO SCALE



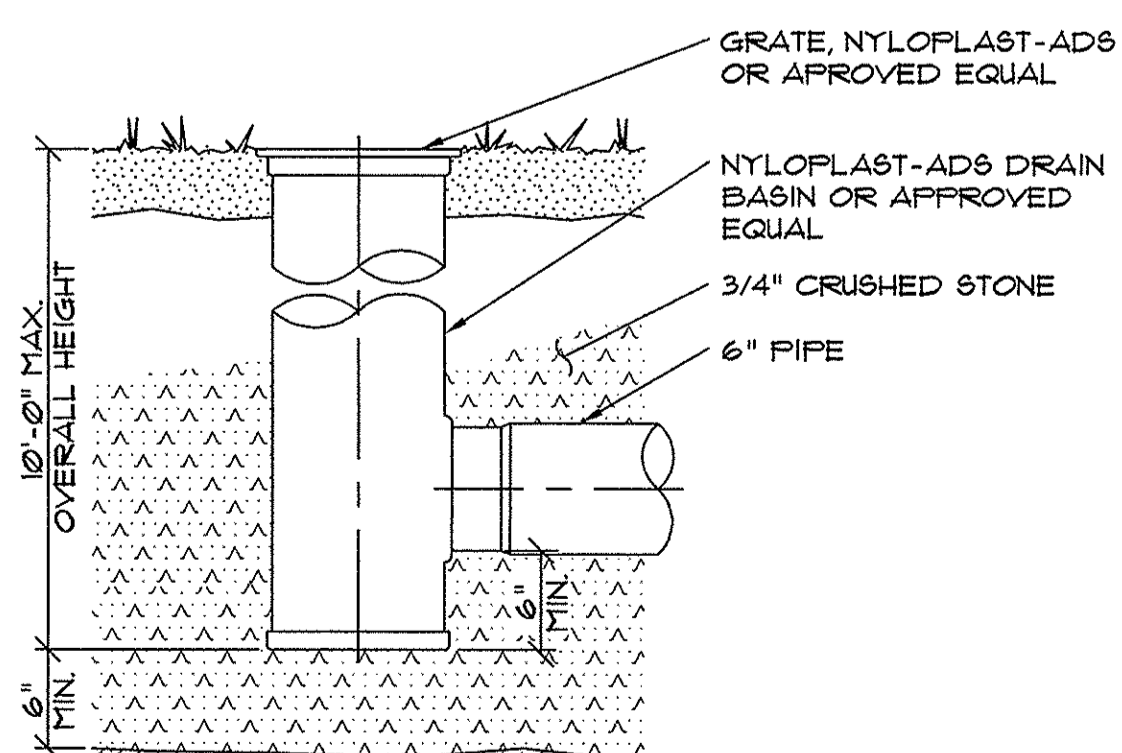
5 TYPICAL CATCH BASIN SECTION

NOT TO SCALE



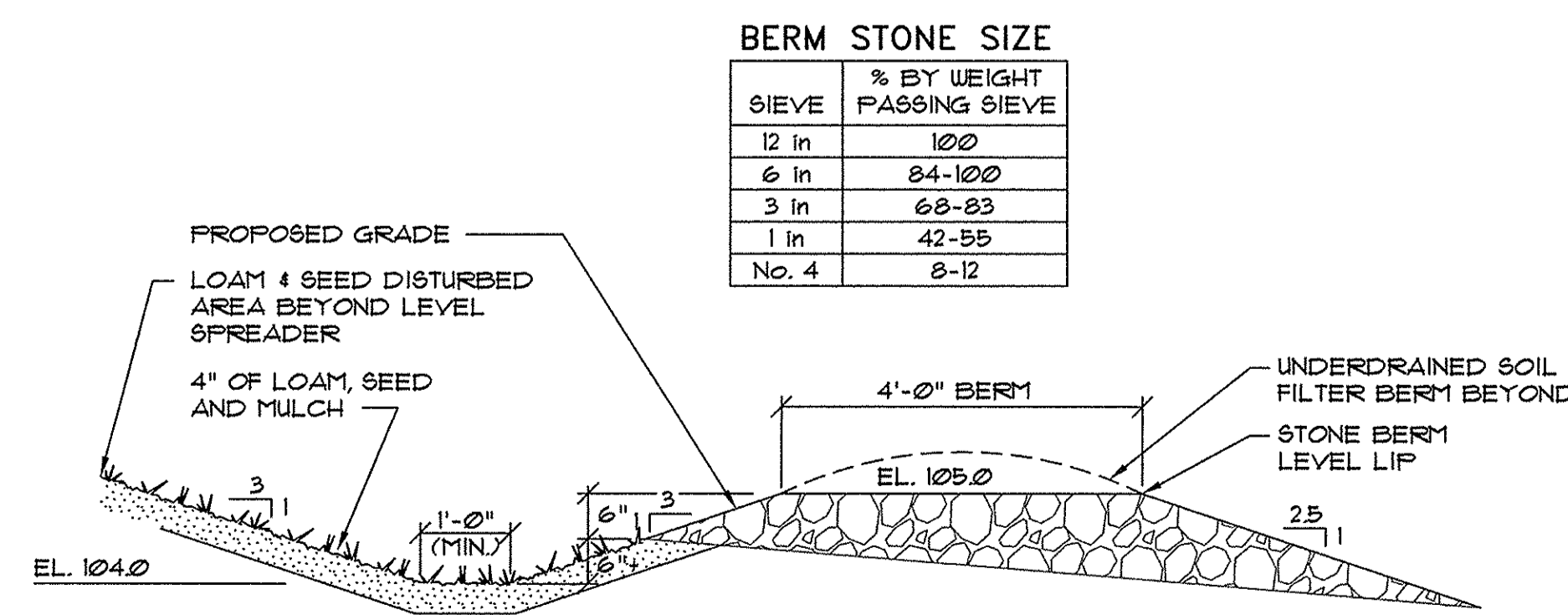
2 PLUNGE POOL DETAIL

NOT TO SCALE



3 TYPICAL FOREBAY SPILLWAY SECTION

NOT TO SCALE



3 TYPICAL FOREBAY SPILLWAY SECTION

NOT TO SCALE

BERM STONE SIZE

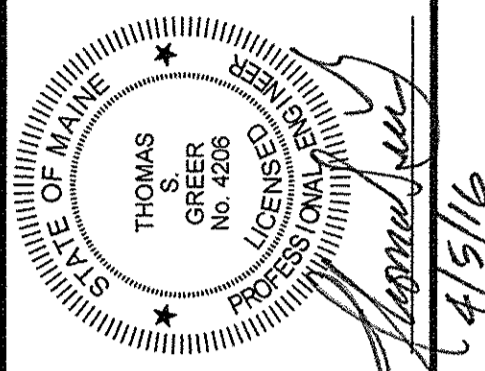
SIEVE	% BY WEIGHT PASSING SIEVE
12 in	100
6 in	84-100
3 in	68-83
1 in	42-55
No. 4	8-12



CITY OF PORTLAND
APPROVED SITE PLAN
FIELD INLET DETAIL

DATE OF APPROVAL: 6-3-2016
PLANNER: Jean Fraser
PROJECT NO.: #2016-077

PINKHAM & GREER
CIVIL ENGINEERS
28 WINDHAM AVE. PORTLAND, ME 04103
TEL: 207.761.5642 FAX: 207.761.4245



NO.	DATE	DESCRIPTION

ALLEN AVENUE UNITARIAN
UNIVERSALIST CHURCH
524 ALLEN AVE., PORTLAND MAINE
SCALE: AS SHOWN
DATE: APRIL 5, 2016
PROJECT: 14136
DRN BY: JDC/JWG
DESIGN BY: TSG
CHK BY: TS

PARKING LOT IMPROVEMENTS
524 ALLEN AVENUE, PORTLAND
DETAILS

C3.2

MAP/LOT 377/F/029