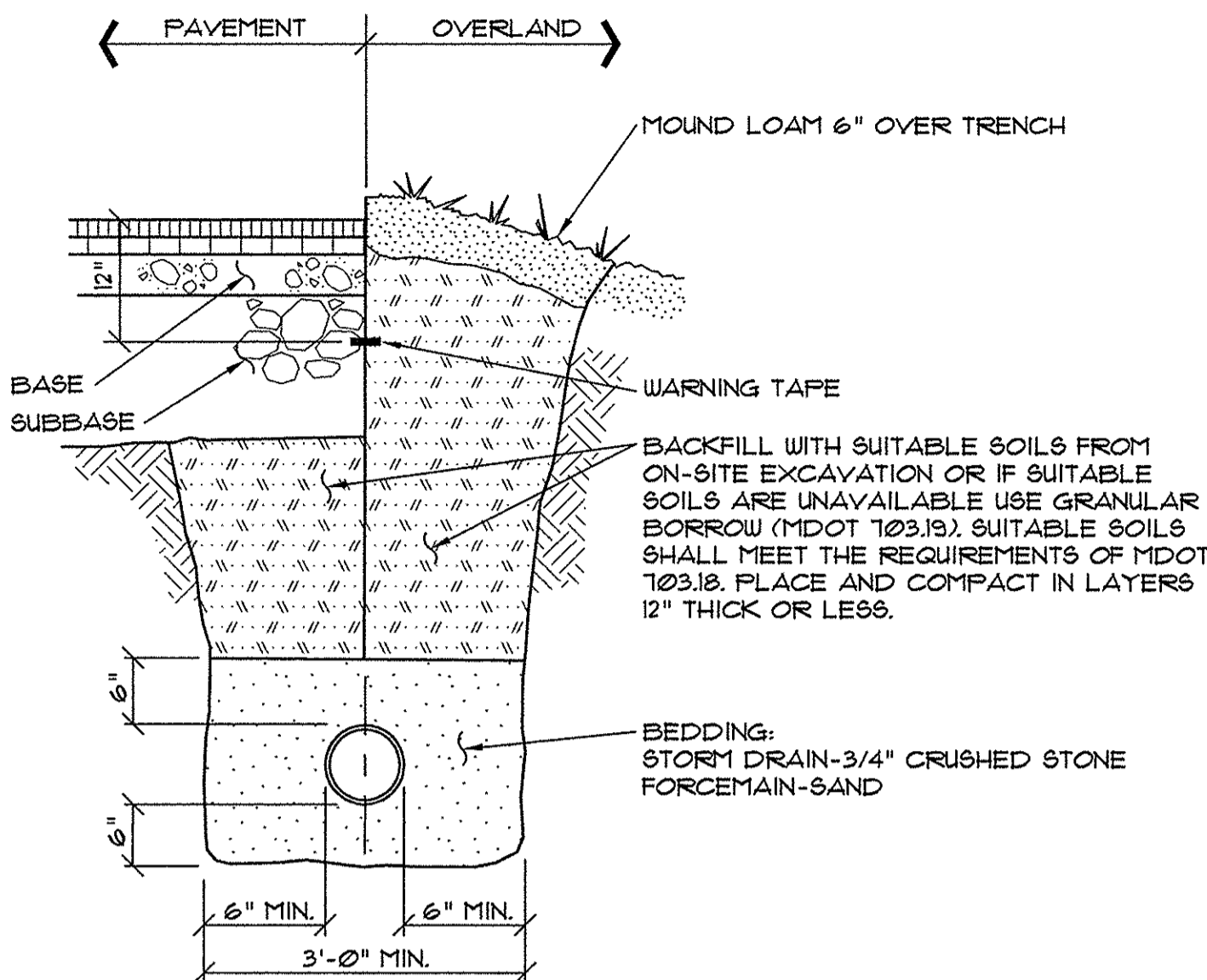


- NOTES:**
1. INSTALLATION SHALL NOT ALLOW INTER-TWING OF CABLES.
 2. DIRECT BURY ELECTRICAL CABLES MAY BE USED IF ALLOWED BY CENTRAL MAINE POWER.
 3. CONFIRM CONDUIT SIZES WITH INDIVIDUAL UTILITY COMPANIES PRIOR TO INSTALLATION.
 4. COORDINATE FINAL LAYOUT WITH INDIVIDUAL UTILITY COMPANIES.

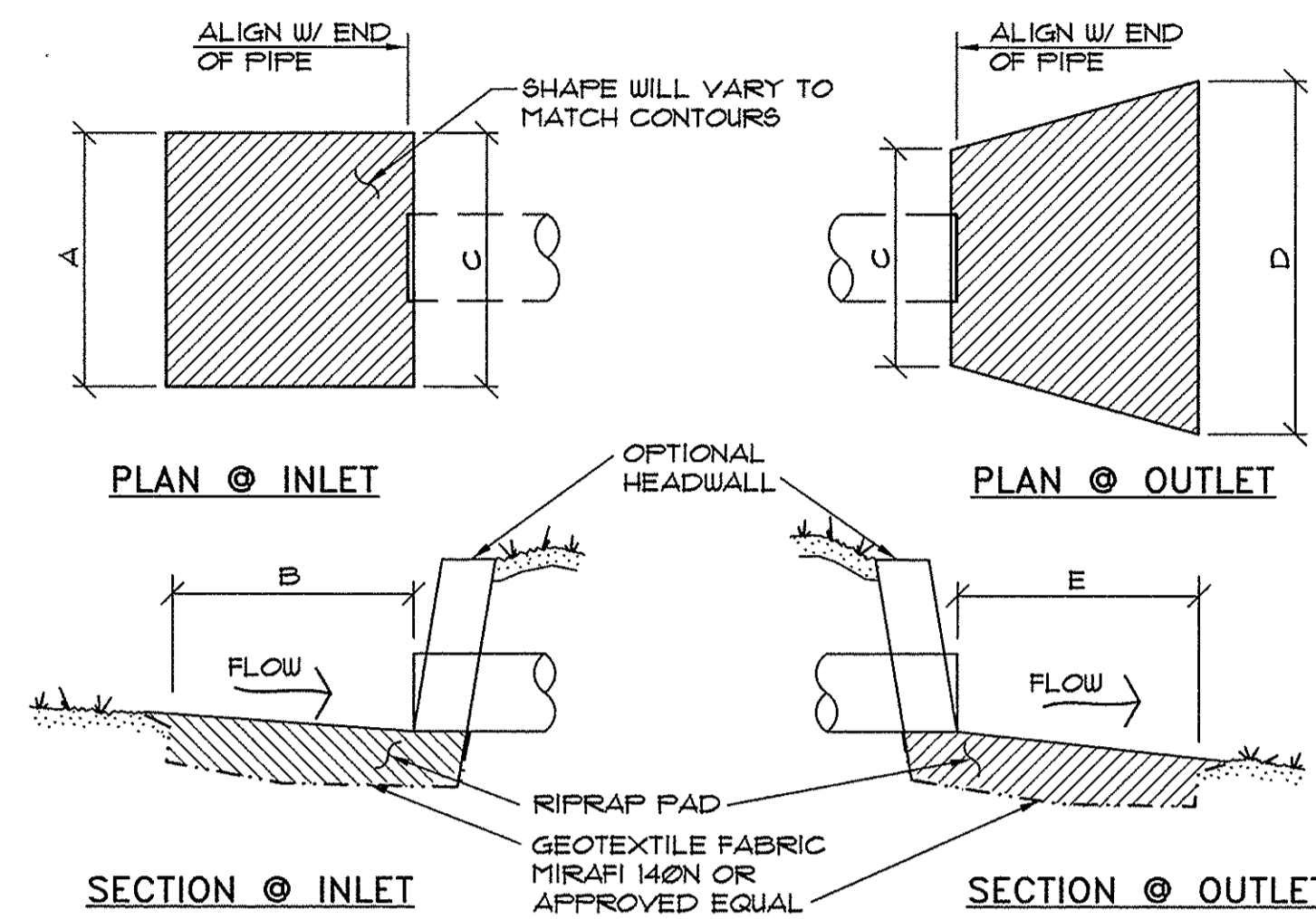
8 CABLE TRENCH SECTION



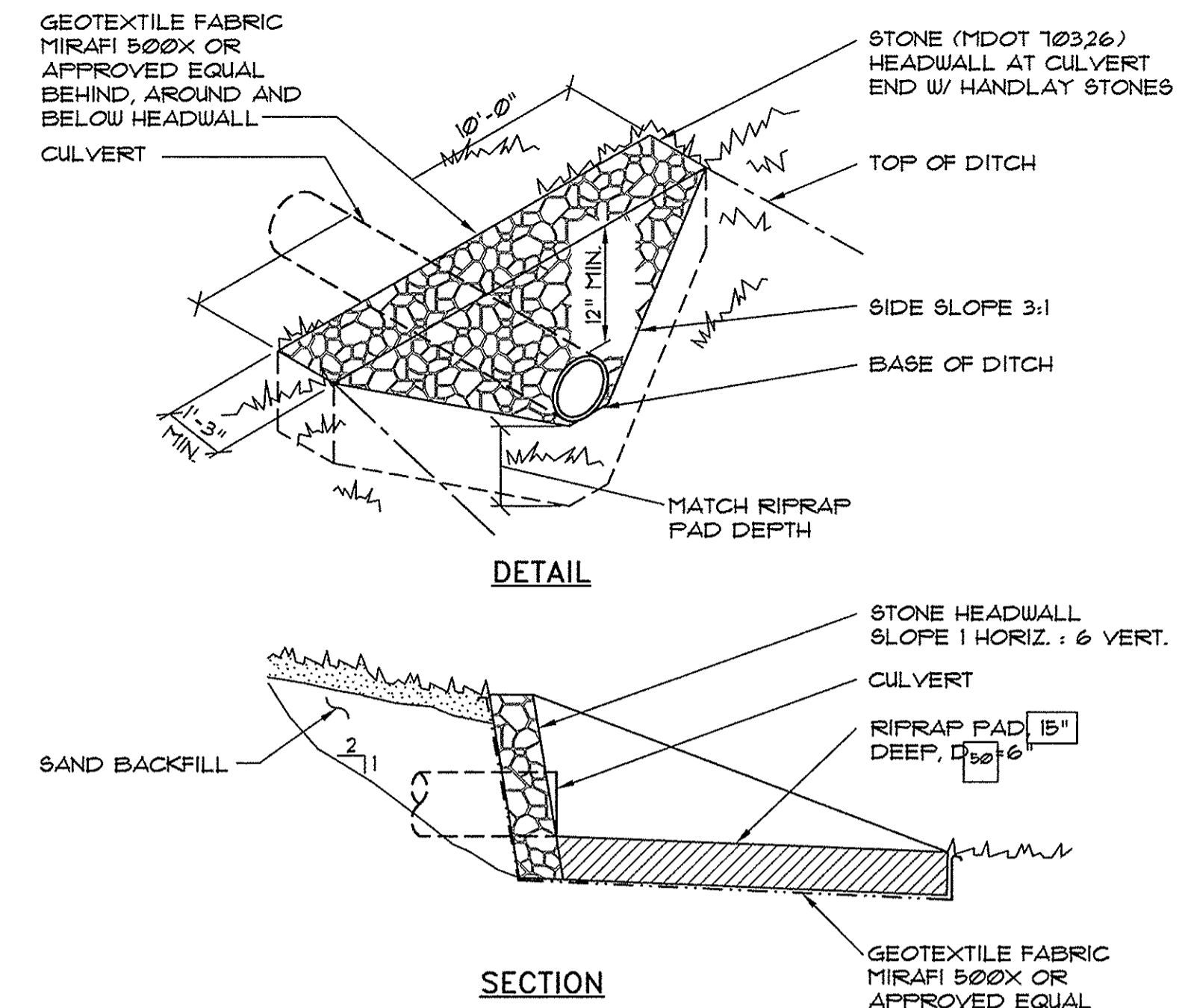
7 TYPICAL TRENCH SECTION

RIFRAP PAD MUST BE INSTALLED WITHIN 48 HOURS OF INSTALLING NEW PIPE OR CULVERT.

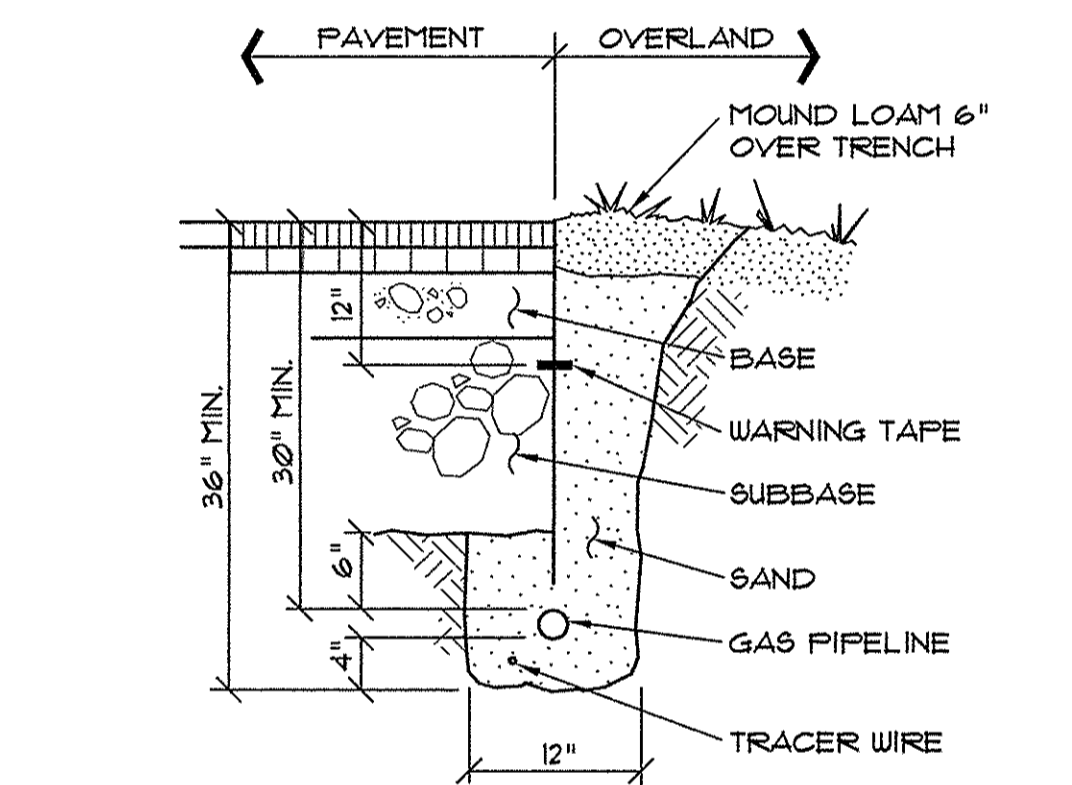
PIPE	A	B	C	D	E	PAD DEPTH	D ₉₀
UD OUTLETS	--	--	3 FT.	3 FT.	3 FT.	10"	4"
12"	3 FT.	2 FT.	3 FT.	3 FT.	3 FT.	15"	6"



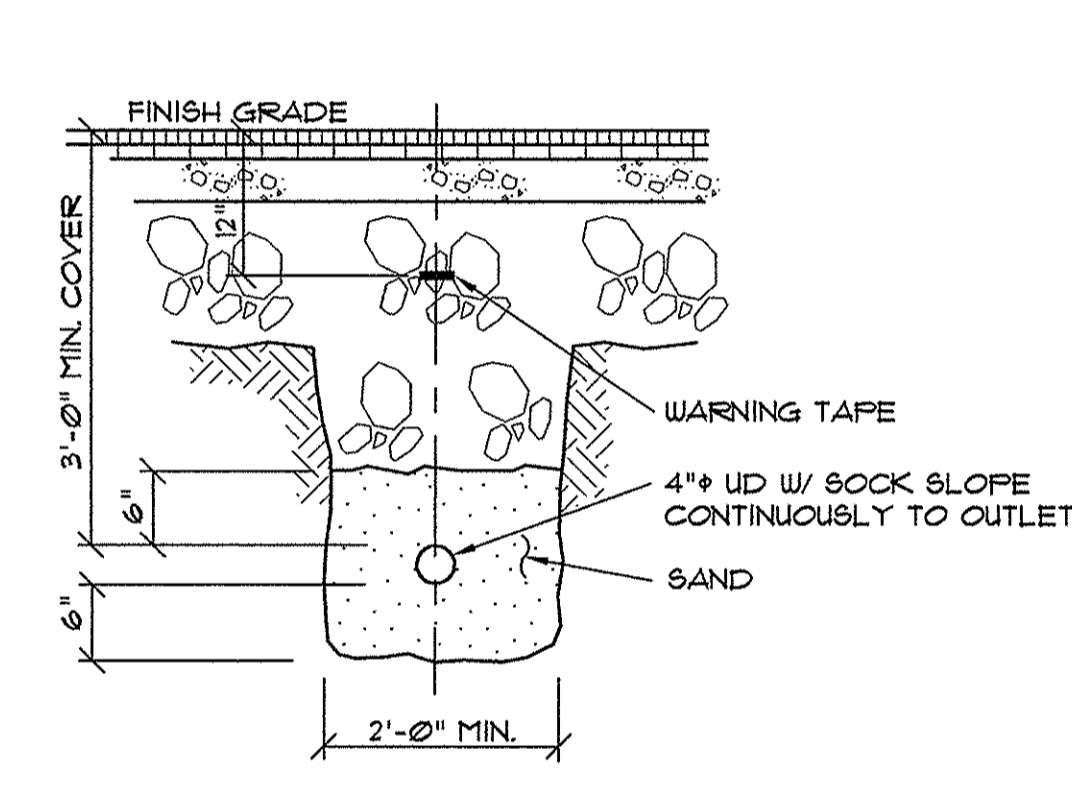
4 RIFRAP PADS & HEADWALLS DETAILS



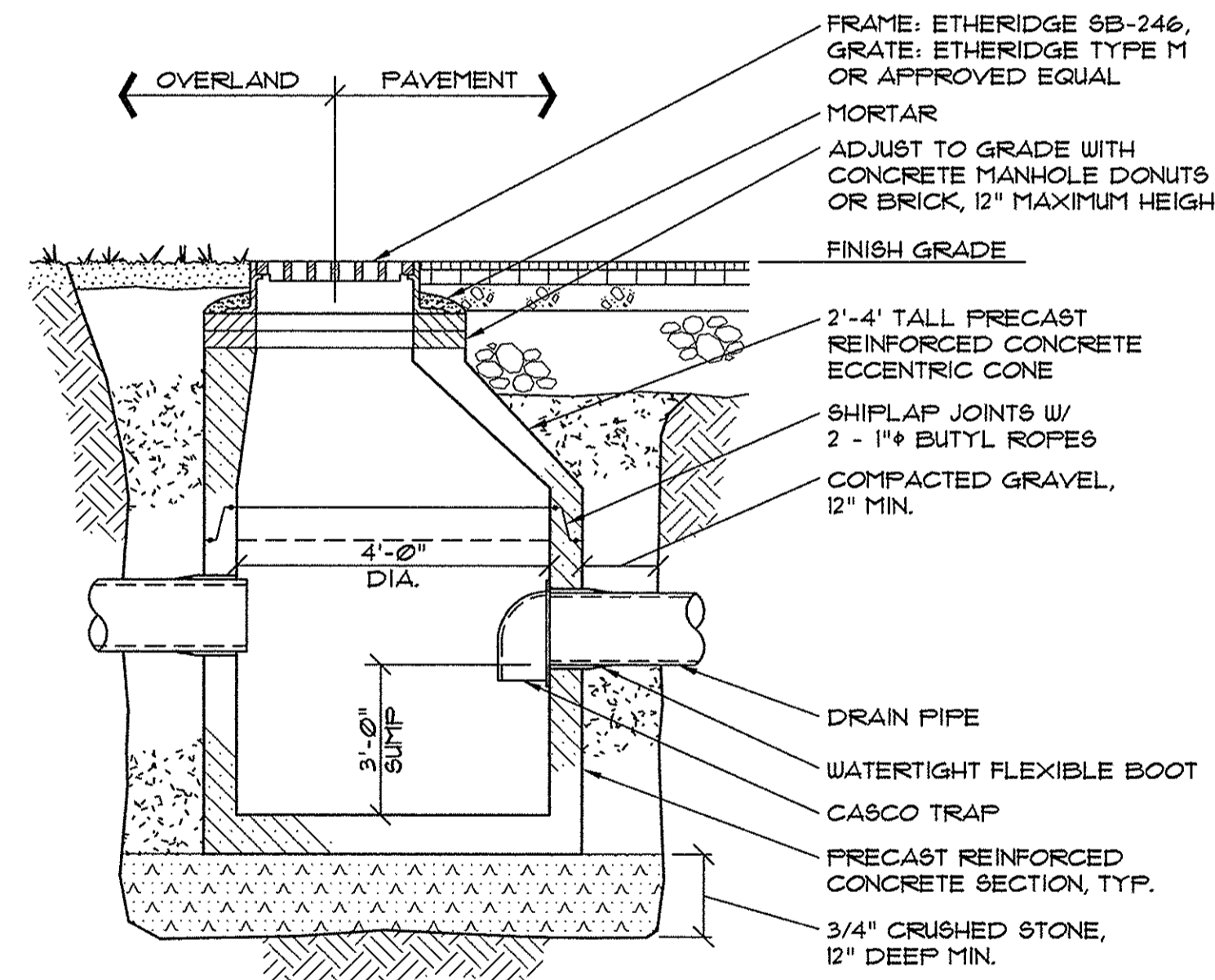
1 STONE HEADWALL



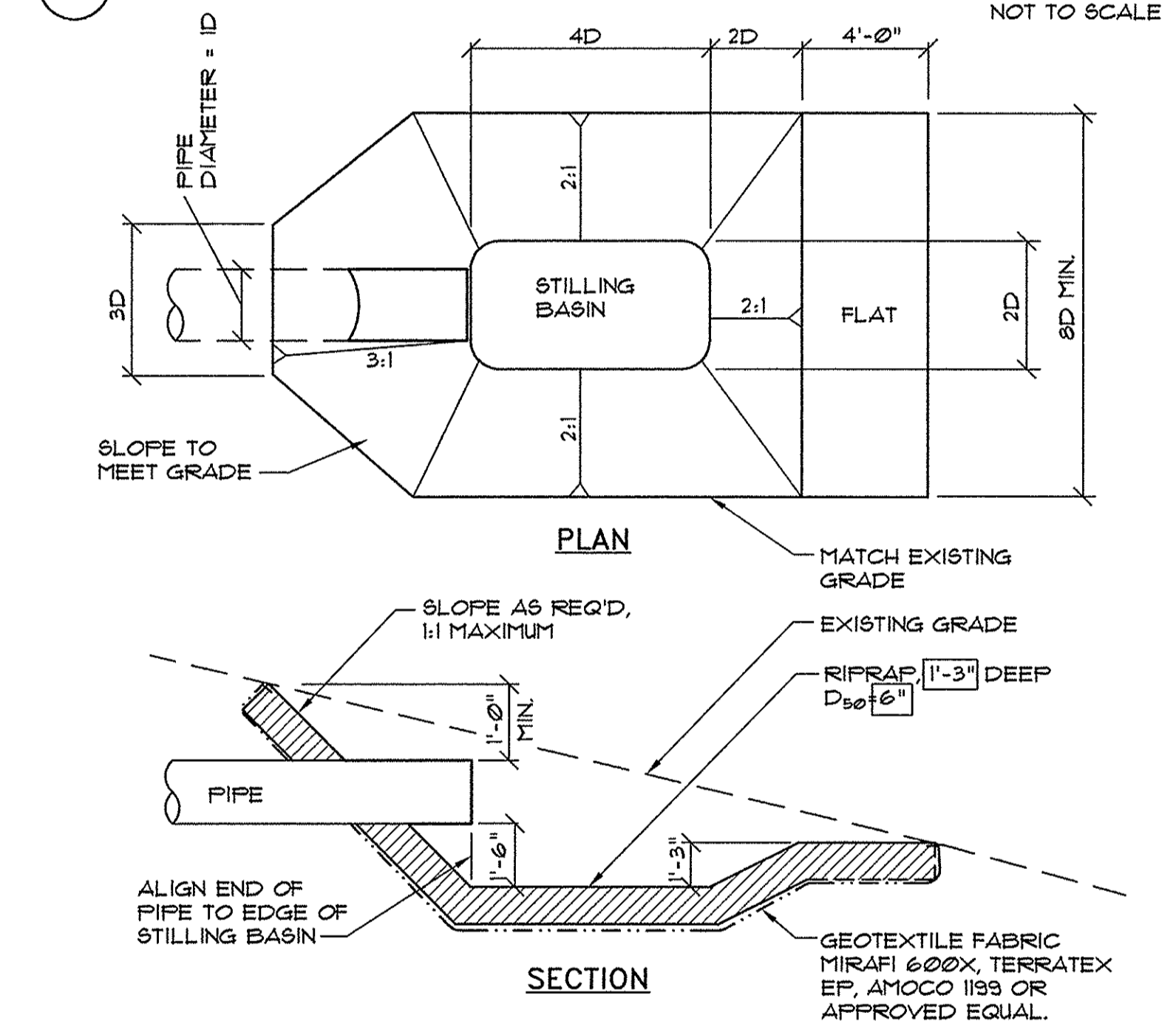
10 GAS PIPING TRENCH SECTION



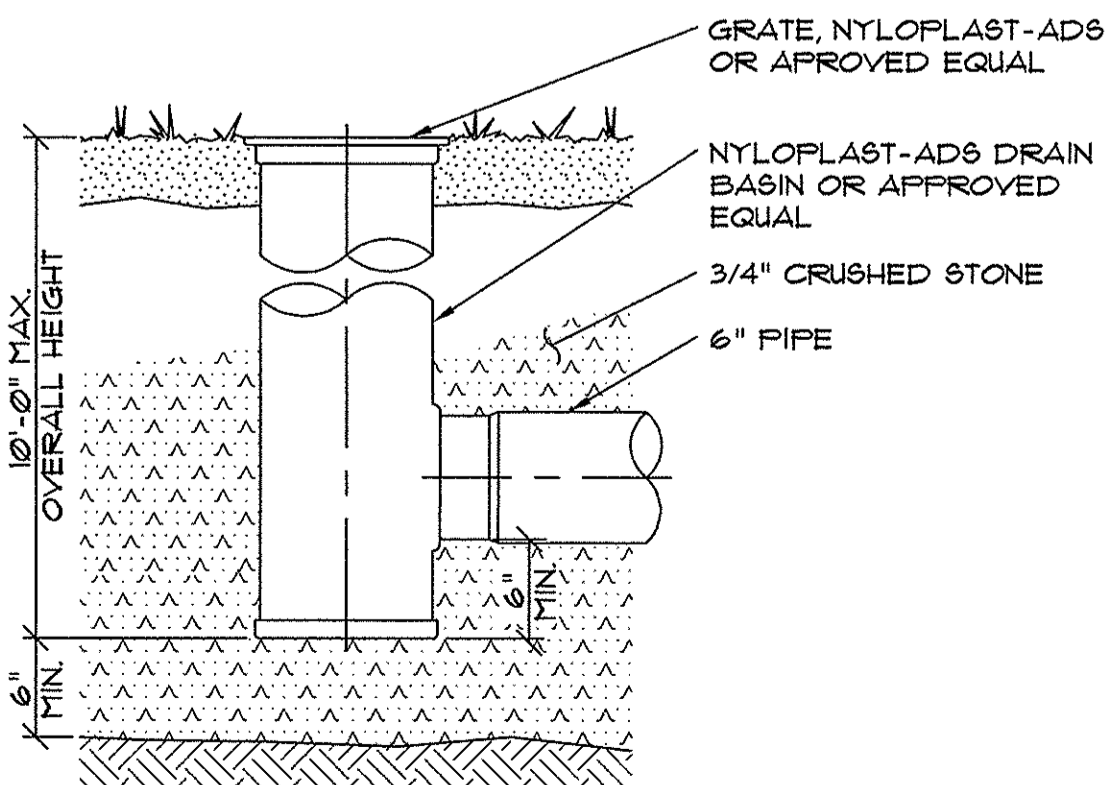
9 UNDERDRAIN TRENCH SECTION



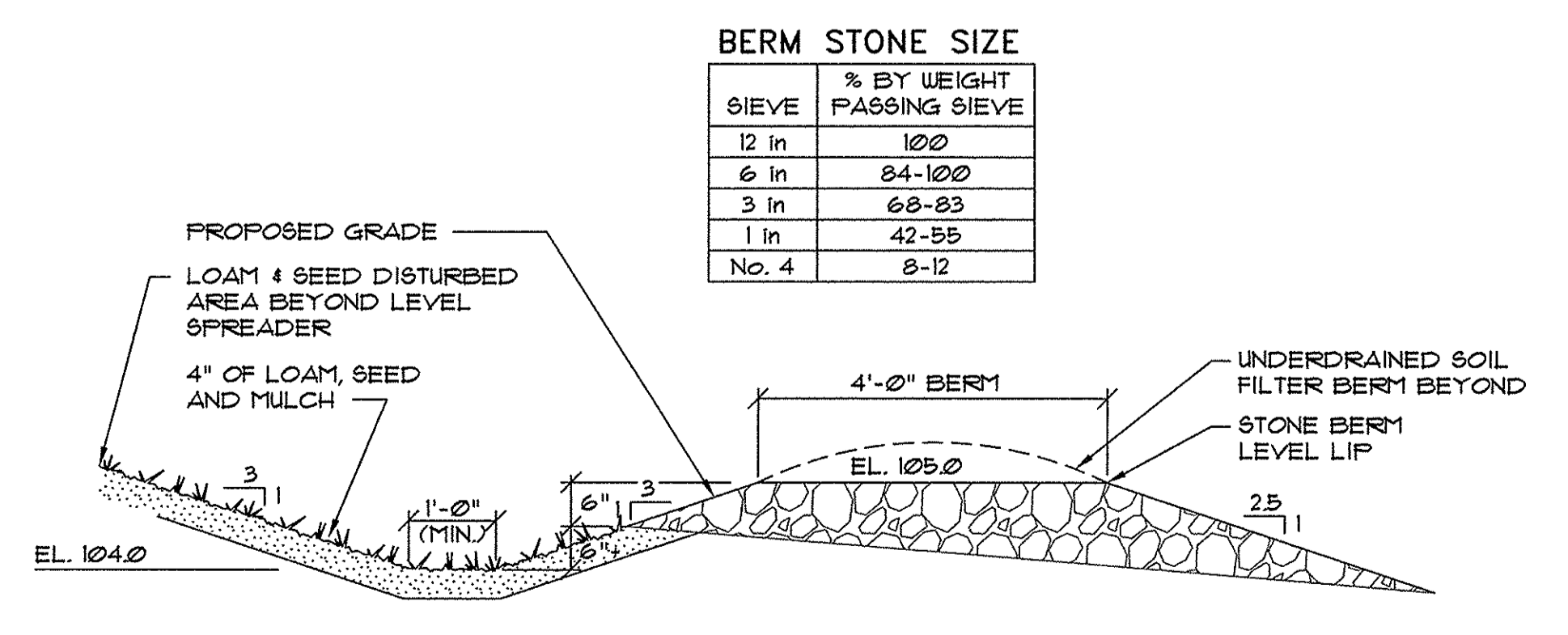
5 TYPICAL CATCH BASIN SECTION



2 PLUNGE POOL DETAIL



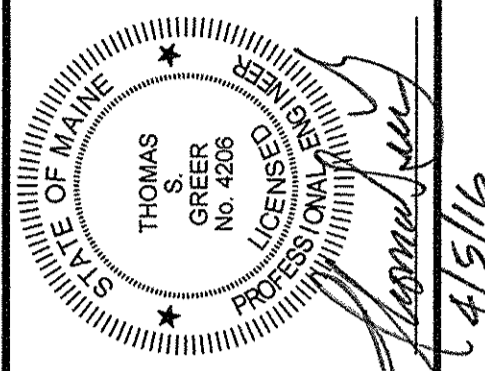
6 FIELD INLET DETAIL



3 TYPICAL FOREBAY SPILLWAY SECTION

BERM STONE SIZE

SIEVE	% BY WEIGHT PASSING SIEVE
12 in	100
6 in	84-100
3 in	68-83
1 in	42-55
No. 4	8-12



ALLEN AVENUE UNITARIAN
UNIVERSALIST CHURCH
524 ALLEN AVE., PORTLAND MAINE

REV.	DATE	DESCRIPTION
1	4/5/16	

SCALE: AS SHOWN
DATE: APRIL 5, 2016
PROJECT: 14138

DRN BY: JDC/JWG
DESG BY: TSG
CHK BY: TS