

City of Portland, Maine – Building or Use Permit Application 389 Congress Street, 04101, Tel: (207) 874-8703, FAX: 874-8716

Location of Construction: 66 Bramblewood Dr		Owner: Kazilonis		Phone:		Permit No. 960760	
Owner Address:		Leasee/Buyer's Name:		Phone:		Business Name:	
Contractor Name: Daniel Kennedy		Address: 15 Devonshire Pt. Rd, ME 04101		Phone: 773-7986		<div style="border: 2px solid black; padding: 5px; text-align: center;"> PERMIT ISSUED Permit Issued: AUG - 6 1996 CITY OF PORTLAND </div>	
Past Use: 1-fam		Proposed Use: Same		COST OF WORK: \$ 1,650.00 PERMIT FEE: \$ 30.00 FIRE DEPT. <input type="checkbox"/> Approved <input type="checkbox"/> Denied INSPECTION: Use Group <i>R3</i> Type <i>53</i> Signature: <i>[Signature]</i>			
Proposed Project Description: Extend Deck		PEDESTRIAN ACTIVITIES DISTRICT (P.A.D.) Action: <input type="checkbox"/> Approved <input type="checkbox"/> Approved with Conditions <input type="checkbox"/> Denied Signature: _____ Date: _____		Zoning Approval: <i>R-2</i> CBL: 377-7-011 Special Zone or Reviews: <input type="checkbox"/> Shoreland <input type="checkbox"/> Wetland <input type="checkbox"/> Flood Zone <input type="checkbox"/> Subdivision <input type="checkbox"/> Site Plan maj <input type="checkbox"/> minor <input type="checkbox"/> mm <input type="checkbox"/>		Zoning Appeal: <input type="checkbox"/> Variance <input type="checkbox"/> Miscellaneous <input type="checkbox"/> Conditional Use <input type="checkbox"/> Interpretation <input type="checkbox"/> Approved <input type="checkbox"/> Denied	
Permit Taken By: Mary Gresik		Date Applied For: 01 August 1996				Historic Preservation: <input checked="" type="checkbox"/> Not in District or Landmark <input checked="" type="checkbox"/> Does Not Require Review <input type="checkbox"/> Requires Review	

- This permit application doesn't preclude the Applicant(s) from meeting applicable State and Federal rules.
- Building permits do not include plumbing, septic or electrical work.
- Building permits are void if work is not started within six (6) months of the date of issuance. False information may invalidate a building permit and stop all work..

PERMIT ISSUED WITH REQUIREMENTS

CERTIFICATION

I hereby certify that I am the owner of record of the named property, or that the proposed work is authorized by the owner of record and that I have been authorized by the owner to make this application as his authorized agent and I agree to conform to all applicable laws of this jurisdiction. In addition, if a permit for work described in the application issued, I certify that the code official's authorized representative shall have the authority to enter all areas covered by such permit at any reasonable hour to enforce the provisions of the code(s) applicable to such permit.

SIGNATURE OF APPLICANT: Daniel Kennedy		ADDRESS:		DATE: 01 August 1996		PHONE:	
RESPONSIBLE PERSON IN CHARGE OF WORK, TITLE						PHONE:	
White-Permit Desk Green-Assessor's Canary-D.P.W. Pink-Public File Ivory Card-Inspector						CEO DISTRICT 7	

D. Jordan

BUILDING PERMIT REPORT

DATE: 6 Aug 96 ADDRESS: 66 Bramblewood DR
REASON FOR PERMIT: To extend deck
BUILDING OWNER: Daniel Kennedy - Kazilovis
CONTRACTOR: " " APPROVED: X/
PERMIT APPLICANT: " " DENIED:

CONDITION OF APPROVAL OR DENIAL

- X
1. Before concrete for foundation is placed, approvals from ~~the Development-Review Coordinator~~ and Inspection Services must be obtained. (A 24 hour notice is required prior to inspection)
 2. Precaution must be taken to protect concrete from freezing.
 3. It is strongly recommended that a registered land surveyor check all foundation forms before concrete is placed. This is done to verify that the proper setbacks are maintained.
 4. All vertical openings shall be enclosed with construction having a fire rating of at least one(1) hour, including fire doors with selfclosers.
 5. Each apartment shall have access to two(2) separate, remote and approved means of egress. A single exit is acceptable when it exits directly from the apartment to the building exterior with no communications to other apartment units.
 6. The boiler shall be protected by enclosing with one(1) hour fire-rated construction including fire doors and ceiling, or by providing automatic extinguishment. Sprinkler piping serving not more than six sprinklers may be connected to a domestic water supply having a capacity sufficient to provide 0.15 gallons per minute, per square foot of floor throughout the entire area. An INDICATING shut-off valve shall be installed in an accessible location between the sprinkler and the connection to the domestic water supply. Minimum pipe size shall be 3/4 inch copper or 1 inch steel. Maximum coverage area of a residential sprinkler is 144 sq. feet per sprinkler.
 7. Every sleeping room below the fourth story in buildings of Use Groups R and I-1 shall have at least one operable window or exterior door approved for emergency egress or rescue. The units must be operable from the inside without the use of special knowledge or separate tools. Where windows are provided as means of egress or rescue, they shall have a sill height not more than 44 inches (1118mm) above the floor. All egress or rescue windows from sleeping rooms shall have a minimum net clear opening height dimension of 24 inches (610mm). The minimum net clear opening width dimension shall be 20 inches (508 mm), and a minimum net clear opening of 5.7 sq. feet.
 8. A portable fire extinguisher shall be located as per NFPA #10. They shall bear the label of an approved agency and be of an approved type.
 9. All single and multiple station smoke detectors shall be of an approved type and shall be installed in accordance with the provisions of the City's building code Chapter 9, section 19, 919.3.2(BOCA National Building Code/1993), and NFPA 101 Chapter 18 & 19. (Smoke detectors shall be installed and maintained at the following locations):

1. In the immediate vicinity of bedrooms
2. In all bedrooms
3. In each story within a dwelling unit, including basements

In addition to the required AC primary power source, required smoke detectors in occupancies in Use Groups R-2, R-3 and I-1 shall receive power from a battery when the AC primary power source is interrupted.

10. Private garages located beneath habitable rooms in occupancies in Use Group R-1, R-2, R-3 or I-1 shall be separated from adjacent interior spaces by fire partitions and floor/ceiling assembly which are constructed with not less than 1-hour fire resisting rating. Private garages attached side-by-side to rooms in the above occupancies shall be completely separated from the interior spaces and the attic area by means of 1/2 inch gypsum board or the equivalent applied to the garage side. (Chapter 4 section 407.0 of the BOCA/1993)

X 11. Guardrail & Handrails-A guardrail system is a system of building components located near the open sides of elevated walking surfaces for the purpose of minimizing the possibility of an accidental fall from the walking surface to the lower level. Minimum height all Use Groups 42", except Use Group R which is 36". In occupancies in Use Group A, B, H-4, I-1, I-2 M and R and public garages and open parking structures, open guards shall have balusters or be of solid material such that a sphere with a diameter of 4" cannot pass through any opening. Guards shall not have an ornamental pattern that would provide a ladder effect.

12. All exit signs, lights, and means of egress lighting shall be done in accordance with Chapter 10, section & subsections 1023. & 1024. of the City's building code. (The BOCA National Building Code/1993)

X 13. Stair construction in Use Group R-3 & R-4 is a minimum of 10" tread and ~~8 1/4"~~ maximum rise. All other Use Group minimum 11" tread, 7" maximum rise.

14. Headroom in habitable space is a minimum of 7'6".

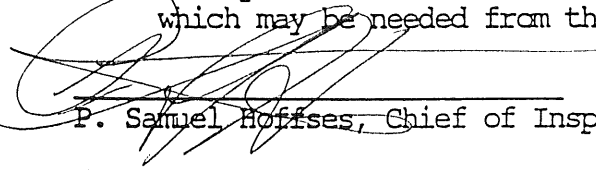
15. The minimum headroom in all parts of a stairway shall not be less than 80 inches.

16. All construction and demolition debris must be disposed at the City's authorized reclamation site. The fee rate is attached. Proof of such disposal must be furnished to the office of Inspection Services before final Certificate of Occupancy is issued or demolition permit is granted.

17. Section 25-135 of the Municipal Code for the City of Portland states, "No person or utility shall be granted a permit to excavate or open any street or sidewalk from the time of November 15 of each year to April 15 of the following year".

18. The builder of a facility to which Section 4594-C of the Maine State Human Rights Act, Title 5 MRSA refers, shall obtain a certification from a design professional that the plans of the facility meet the standards of construction required by this section. Prior to commencing construction of the facility, the builder shall submit the certification to the Division of Inspection Services.

19. This permit does not excuse the applicant from obtaining any license which may be needed from the City Clerk's Office.


P. Samuel Hoffses, Chief of Inspection Services

/el 3/16/95

please check off the appropriate description

FOUNDATION

_____ Frost Wall, min 4" below grade.
8" thick

_____ Sono Tube, 4" below grade.
6" min. on footing, hard pan or
bedrock.
_____ Other

SILL

2x8 Size

SPAN OF SILL

12ft. Distance between foundation supports

JOISTS SPAN

JOISTS SIZE

_____ 2 x 6 2 x 8 _____ 2 x 10

DISTANCE BETWEEN JOISTS

16" O.C. _____ 24" O.C. _____ other

DECKING

5/4 _____ other explain

GUARD HEIGHT

36" _____ 42"

DISTANCE BETWEEN BALUSTER

4" spacing between

STAIR CONSTRUCTION

minimum 9" tread
maximum 8 1/4" rise

please use space below for drawing of deck with measurements.

R-5

rear setback - 25' min - 50' + shown

side yard setback - 12' req - 15' shown

lot size 14,496 # x 20% = 2899.2 #

22x24 = 528

24x28 = 672

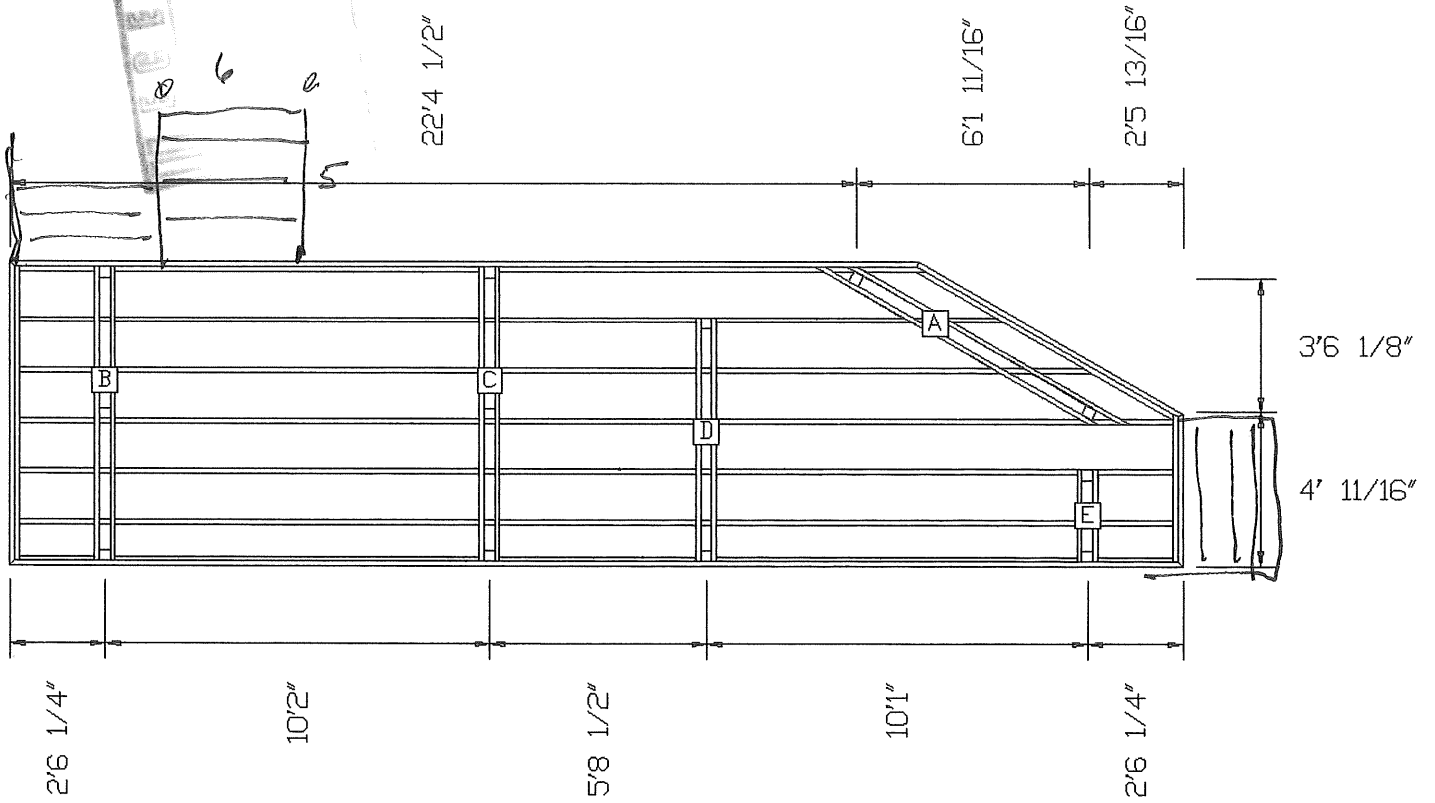
9x12 = 108

12x18 = 216

1524 # New

BEAM LAYOUT FOR LEVEL 2
 CUSTOMER -- D F K
 DATE 07/28/96 REF DFK37986

20
 14 Posts



BEAM LABEL	BEAM LENGTH	POST COUNT	POST SPACING
A	9' 3 1/8"	2	7' 7/8"
B	7' 9"	3	3' 8 3/4"
C	7' 9"	3	3' 8 3/4"
D	6' 5"	3	3' 3/4"
E	2' 5"	2	2' 1 1/2"

Post spacing is measured center-to-center.

Depth of concrete footers --- 48 inches.

66 BRAMBLE WOOD

PROPERTY LINE

