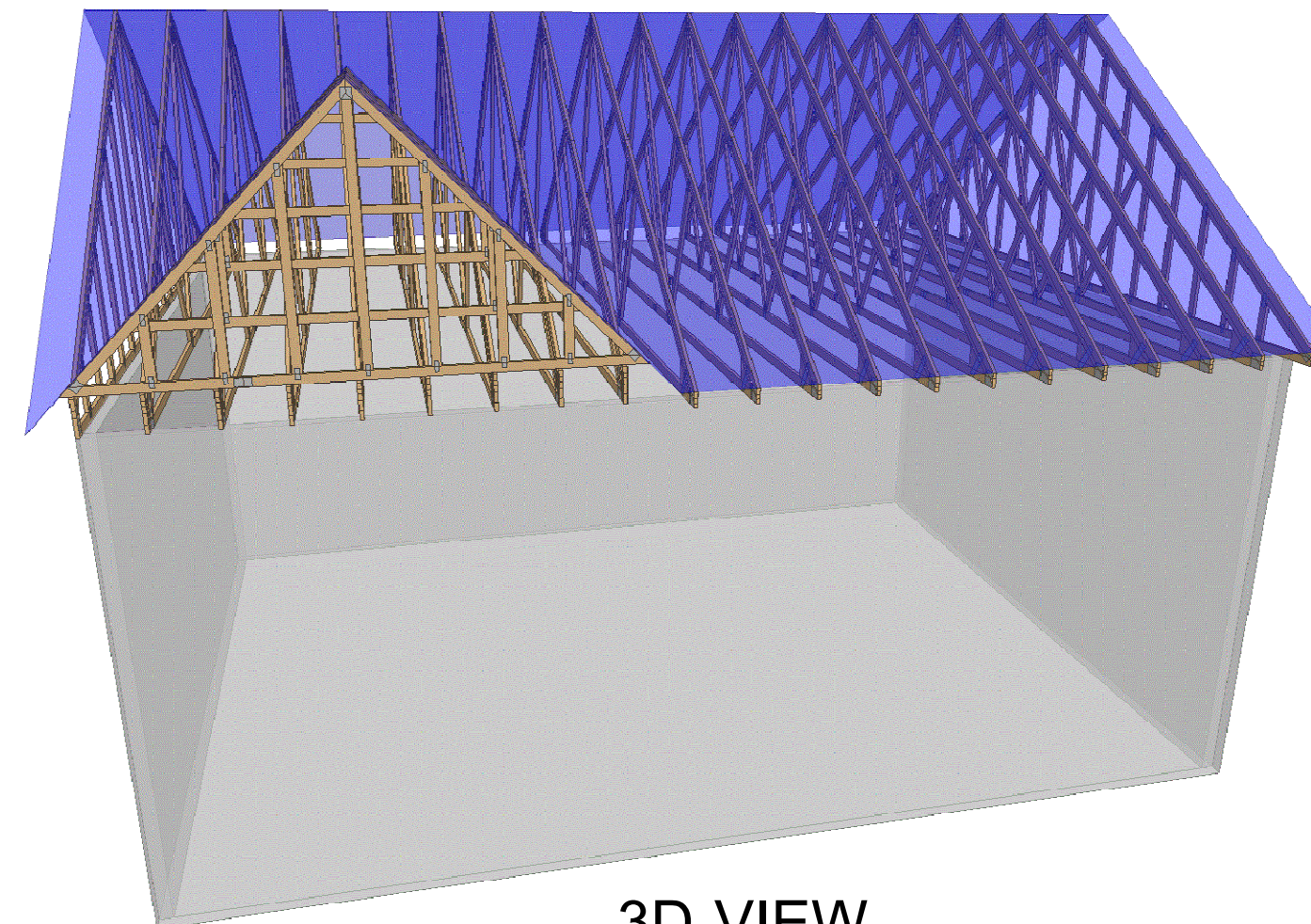
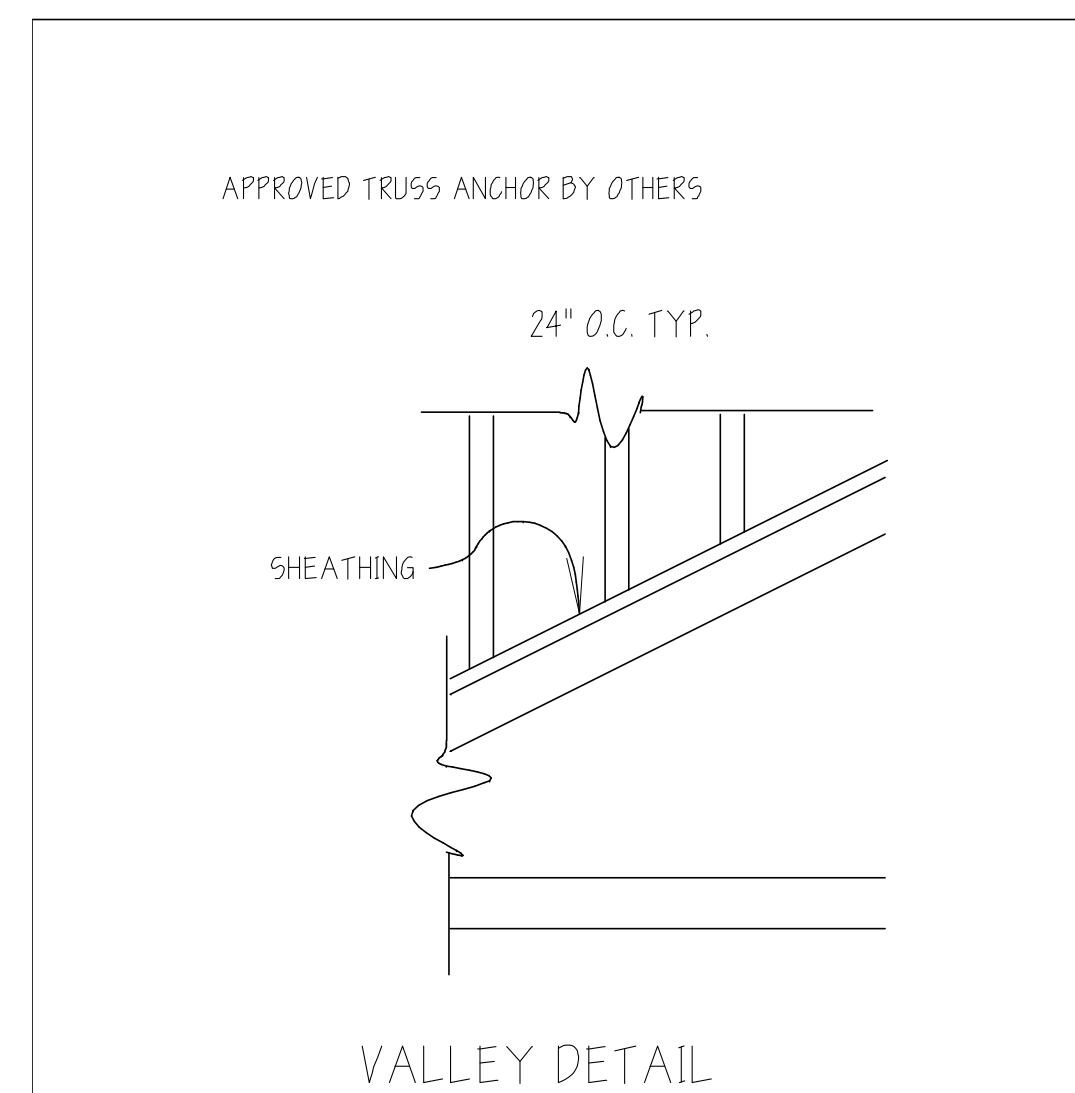


ROOF TRUSS LAYOUT

SCALE: 1/4" = 1'-0"



3D VIEW



SLIDE TO ADJUST

**APPROVAL REQUIRED.
NOT FOR CONSTRUCTION.**

JOB SPECIFIC NOTES

- A) ANY FRAMING NOT SHOWN ON THIS LAYOUT IS BY OTHERS.
- B) ANY CONNECTION NOT SHOWN ON THIS LAYOUT IS BY OTHERS.
- C) HANGERS SUPPLIED BY BOISE CASCADE ARE MANUFACTURED BY USP.

GENERAL NOTES:

- 1) FOR BRACING REQUIREMENTS & ERECTION INFORMATION SEE T.P.1, PUBLICATION BCSI-82.
- 2) BRACING STOCK (2x4 MIN) NOT SUPPLIED BY BOISE CASCADE.
- 3) SEE TRUSS ENGINEERING FOR ADDITIONAL INFORMATION.
- 4) ALL DIMENSIONS, DESIGN LOADS & TRUSS QUANTITIES MUST BE VERIFIED PRIOR TO FABRICATION.
- 5) ADDITIONAL FRAMING AS REQUIRED BY OTHERS.

- 6) THIS DRAWING IS INTENDED TO SERVE AS A LAYOUT GUIDE FOR THE TRUSS ERECTION CREW TO ENSURE PROPER PLACEMENT & SPACING OF TRUSSES. THIS IS NOT A COMPLETE FRAMING PLAN.
- 7) FINAL APPROVAL OF THIS LAYOUT & THE TRUSS COMPONENTS TO BE SUPPLIED FOR COMPLIANCE WITH PROJECT SPECIFICATIONS REMAINS THE RESPONSIBILITY OF THE ARCHITECT & ENGINEER OF RECORD.
- 8) VALLEY BY CONTRACTOR: VALLEY MUST BE FRAMED TO ENSURE UNIFORM DISTRIBUTION OF LIVE & DEAD LOADS. TOP CHORDS OF THE TRUSSES BELOW MUST BE LATERALLY BRACED BY MEANS OF SHEATHING OR PURLINS @ 24" O.C. MAX.

- 9) SOME HANGERS AND UPLIFT CONNECTORS CANNOT BE PROPERLY INSTALLED AFTER SETTING TRUSSES AND/OR ROOF SHEATHING.
- 10) BOISE CASCADE WILL ASSUME NO RESPONSIBILITY FOR ANY DEVIATION FROM THE CONTENT OF THESE DRAWINGS WITH REGARDS TO ANY STRUCTURAL MEMBERS THAT ARE MADE WITHOUT WRITTEN AUTHORIZATION FROM BOISE CASCADE.
- 11) BOISE CASCADE WILL NOT ACCEPT ANY BACK CHARGES FOR REPAIRS OR MODIFICATIONS WITHOUT NOTIFICATION PRIOR TO WORK BEING DONE WITHOUT REASONABLE OPPORTUNITY TO REVIEW PROBLEM. BACK CHARGES MUST BE AGREED UPON BY ALL PARTIES PRIOR TO WORK BEING DONE.

BOISE CASCADE Materials Distribution "Structural Solutions"	JOB #: 676282-1	1/1
	DRAWN BY: Bob Leger	
CUSTOMER: Builders Supply	SCALE: 1/4" = 1'-0"	DATE: 10/24/2016 REVISED:
JOB NAME: Casco Bay	LOADING CHART (psf)	
ADDRESS: Portland, ME.	TCLL = 46.2 (60# Ground Snow) TCDL = 10.0 BCDL = 0.0 BCDL = 10.0	
DIMENSION KEY	Feet Inches (12)-(6)-(8) Sixteenths	



20 Pomerleau Street
Biddeford, Maine 04005
PH 1-877-291-5276
FX 1-877-782-0999