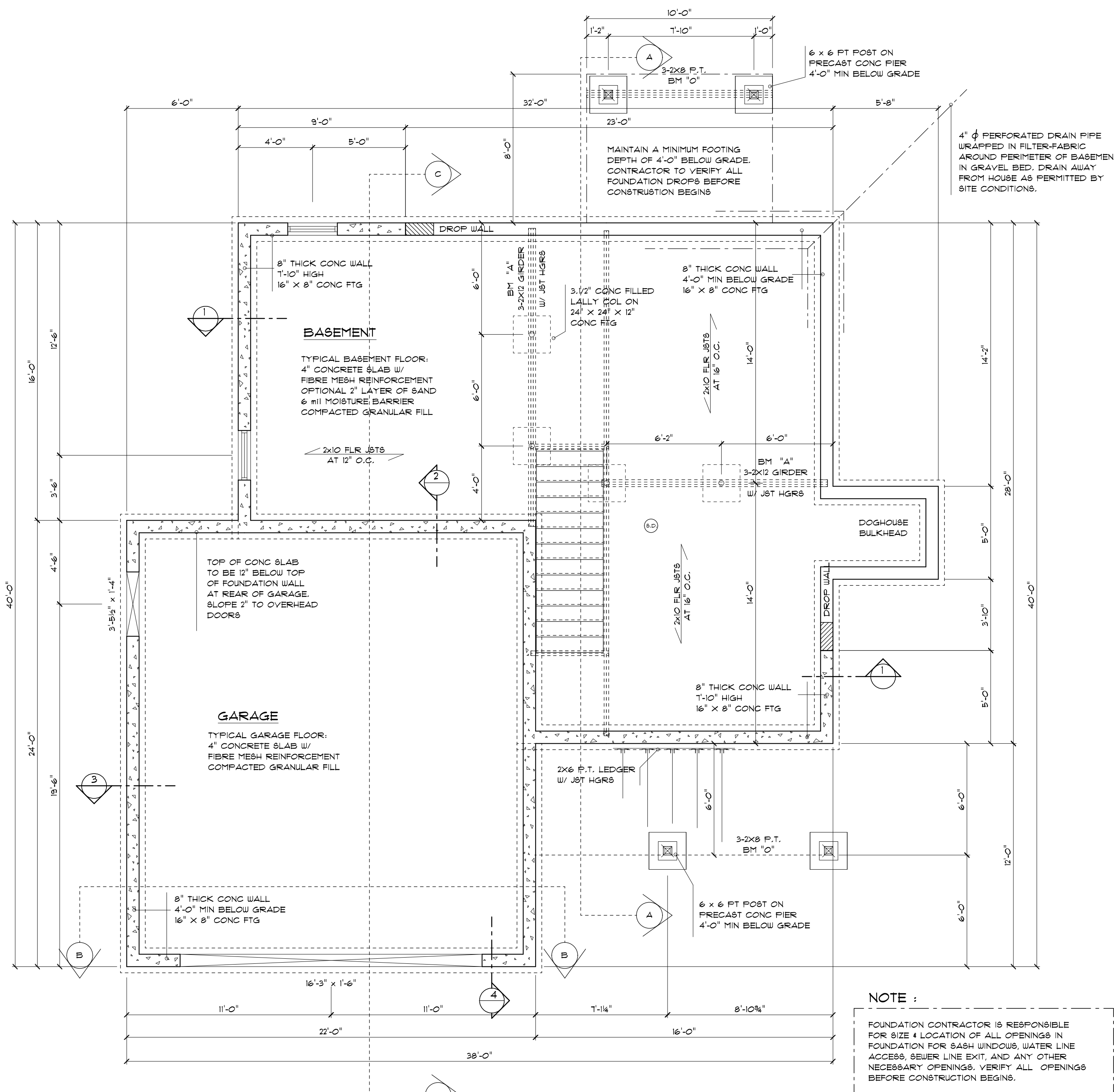
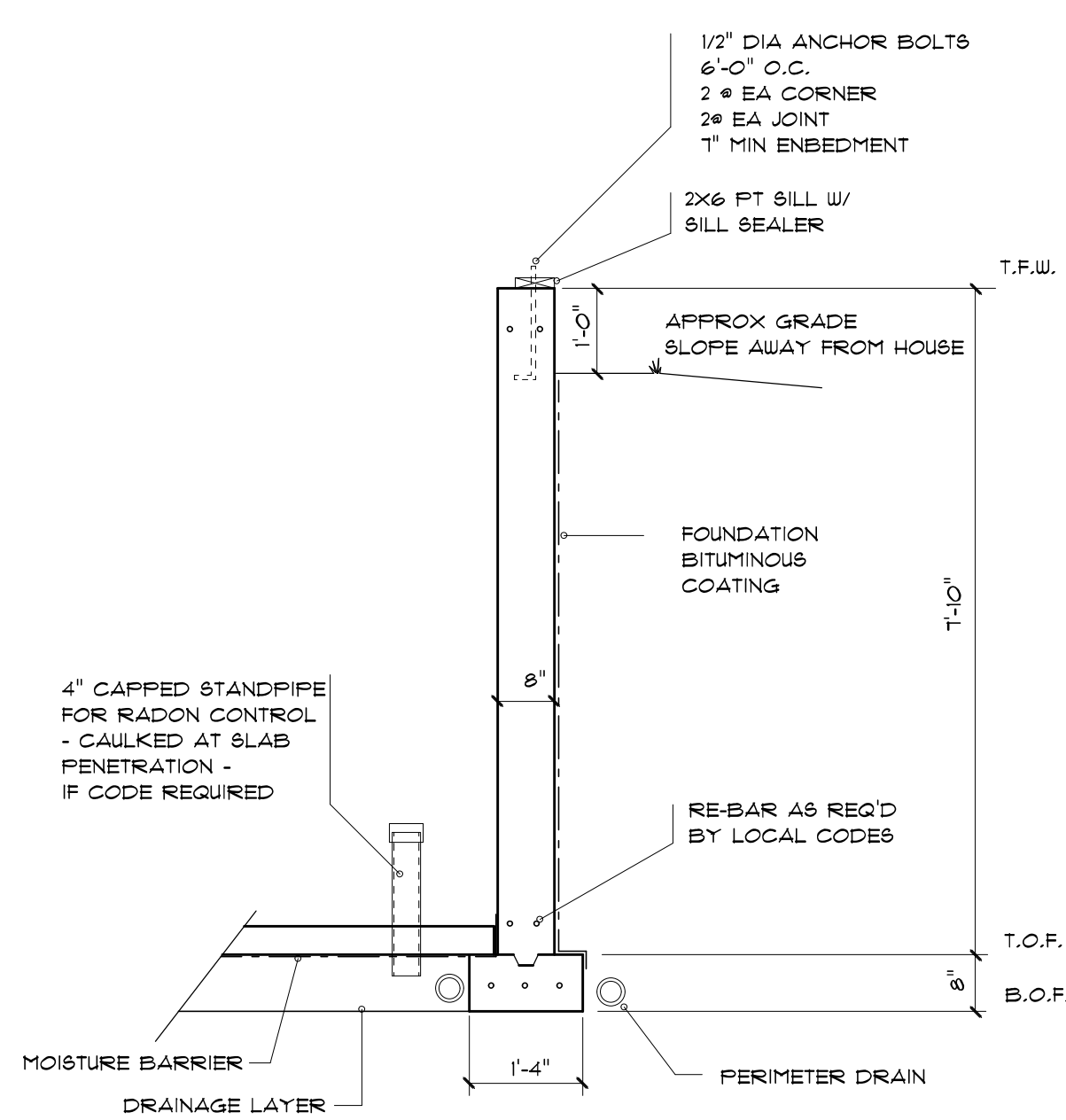


ROOF PLAN
SCALE: 1/4" = 1'-0"

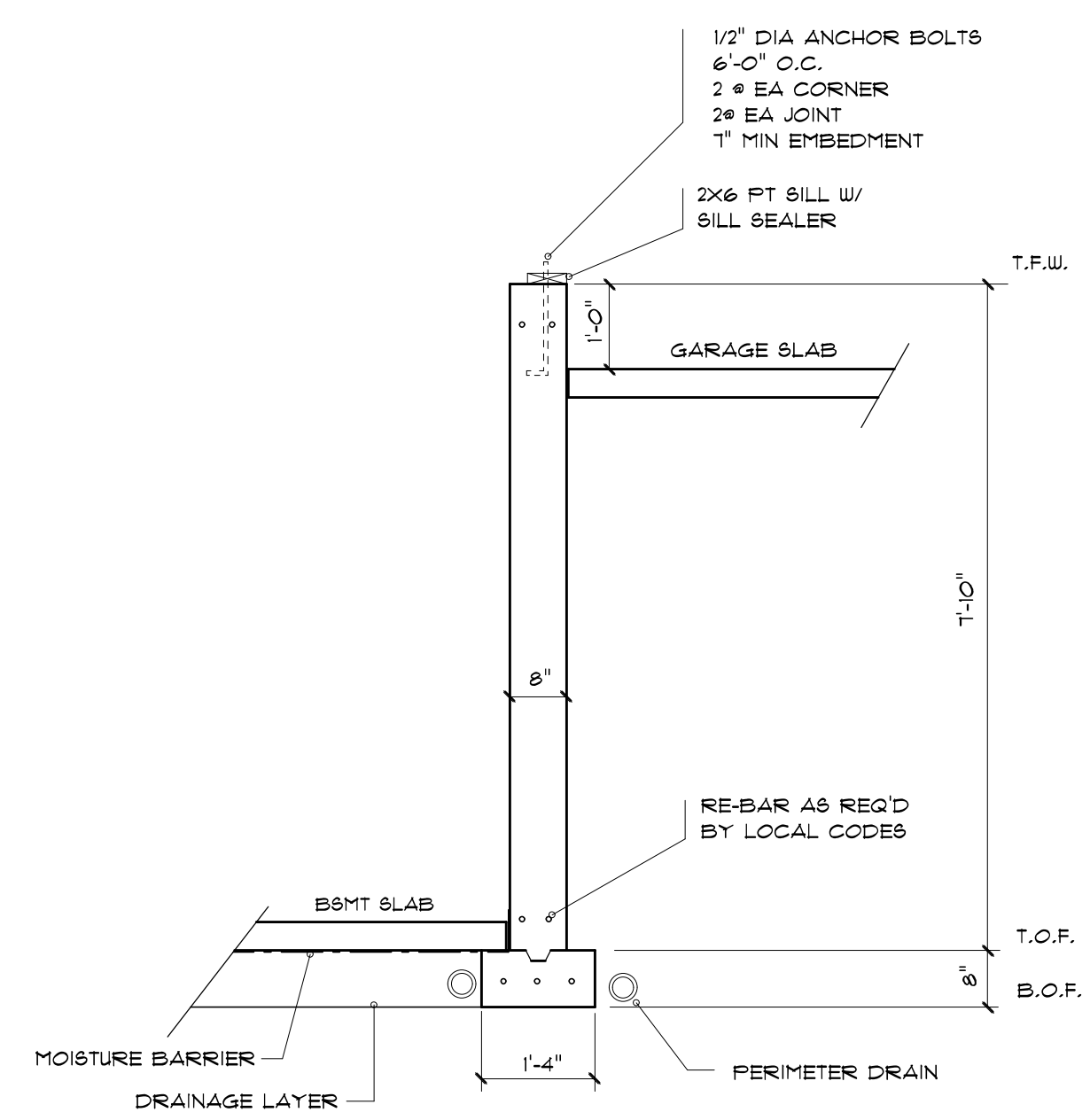


FOUNDATION PLAN
SCALE: 1/4" = 1'-0"

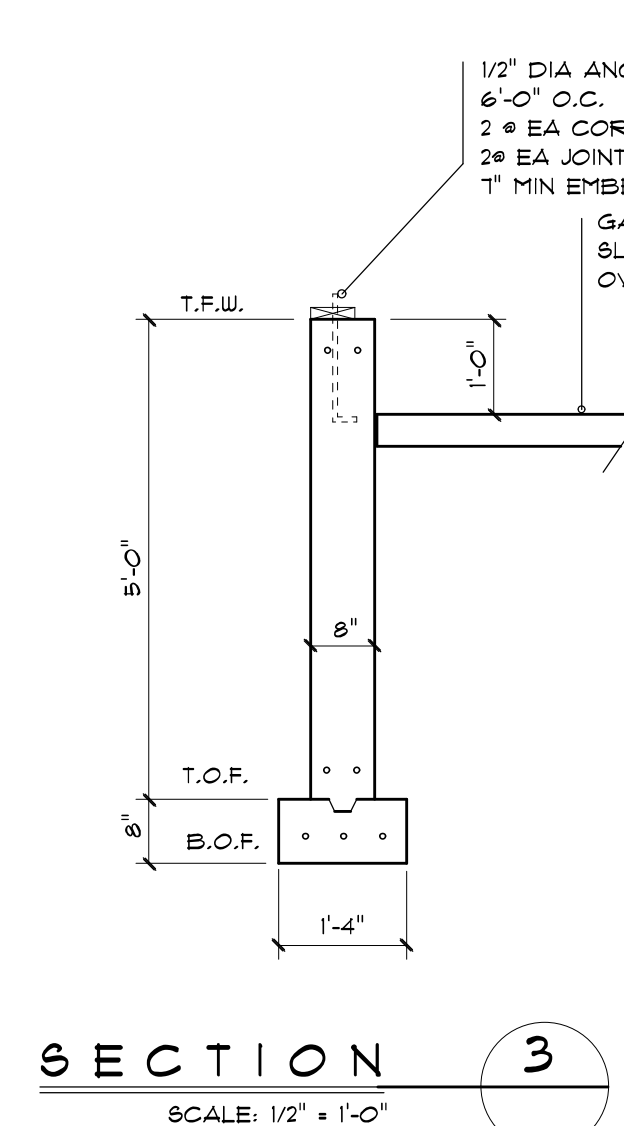
NOTE :
FOUNDATION CONTRACTOR IS RESPONSIBLE FOR SIZE & LOCATION OF ALL OPENINGS IN FOUNDATION FOR SASH WINDOWS, WATER LINE ACCESS, SEWER LINE EXIT, AND ANY OTHER NECESSARY OPENINGS. VERIFY ALL OPENINGS BEFORE CONSTRUCTION BEGINS.



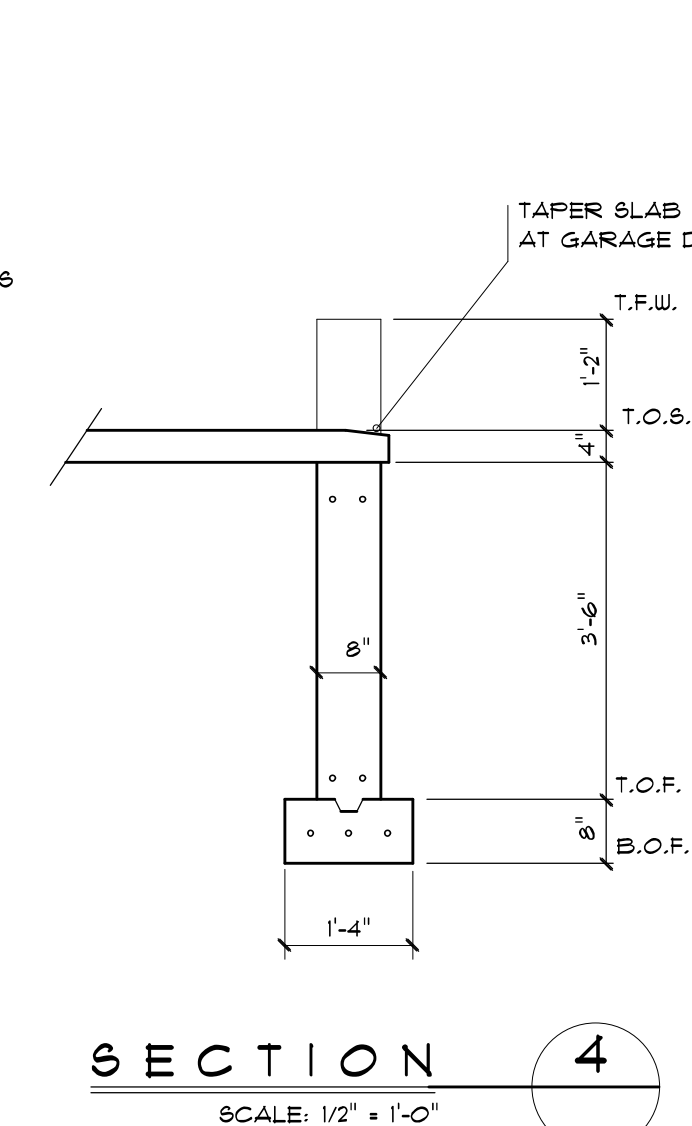
TYPICAL 8" FDN WALL 1
SCALE: 1/2" = 1'-0"



8" FDN WALL HOUSE/GARAGE 2
SCALE: 1/2" = 1'-0"



SECTION 3
SCALE: 1/2" = 1'-0"



SECTION 4
SCALE: 1/2" = 1'-0"

ALL PLANDRAWINGS THAT ARE PROVIDED TO THE CLIENTS ARE BASED INFORMATION GIVEN BY THE CLIENT. ALL DIMENSIONS AND SPECIFICATIONS MUST BE VERIFIED BY CLIENT/CONTRACTOR BEFORE CONSTRUCTION BEGINS. OWNER AND CONTRACTOR RESPONSIBLE FOR ANY ERRORS AND OMISSIONS. CONTRACTOR ASSUMES ALL LIABILITY FOR BUILDING CONSTRUCTION.

PLANS AND SPECIFICATIONS HAVE NOT BEEN PREPARED BY REGISTERED ARCHITECT OR ENGINEER. CUSTOMER SHOULD CONSULT A REGISTERED ARCHITECT OR ENGINEER OF THEIR CHOICE IF ARCHITECT OR ENGINEER STAMP IS NECESSARY BEFORE CONSTRUCTION BEGINS.

ALL CONTRACTORS TO CONFORM TO ALL STATE AND LOCAL BUILDING CODES.

DESIGN OF :

CASCO BAY QUALITY HOMES
18 BAYBERRY
CAPE ELIZABETH, ME.

DRAWN BY :	10-31-16
DATE :	02-19-17
REVISED :	02-28-17
REVISED :	1/4" = 1'-0"

Quality Drafting & Design

Tom Bouchard
801 Bald Hill Road
Wells, Me. 04090
cell 207-467-5276
tgdmaine@rr.com

House plans - Additions
Renovations - Garages
and more

25 Years of Experience

SHEET NO.