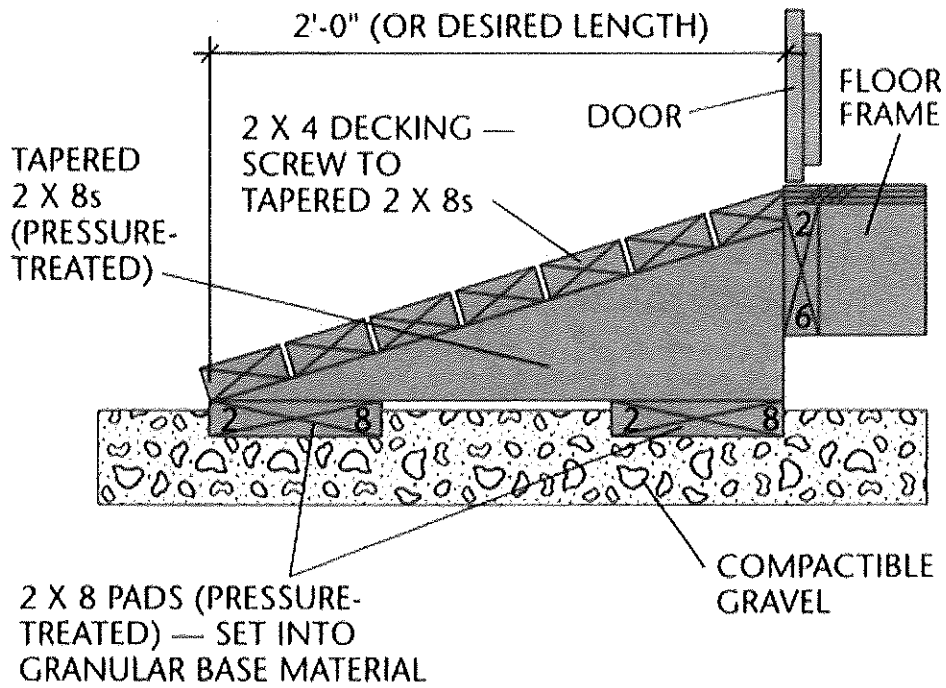
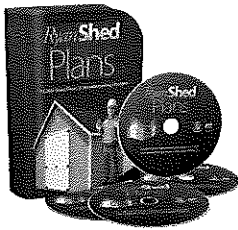
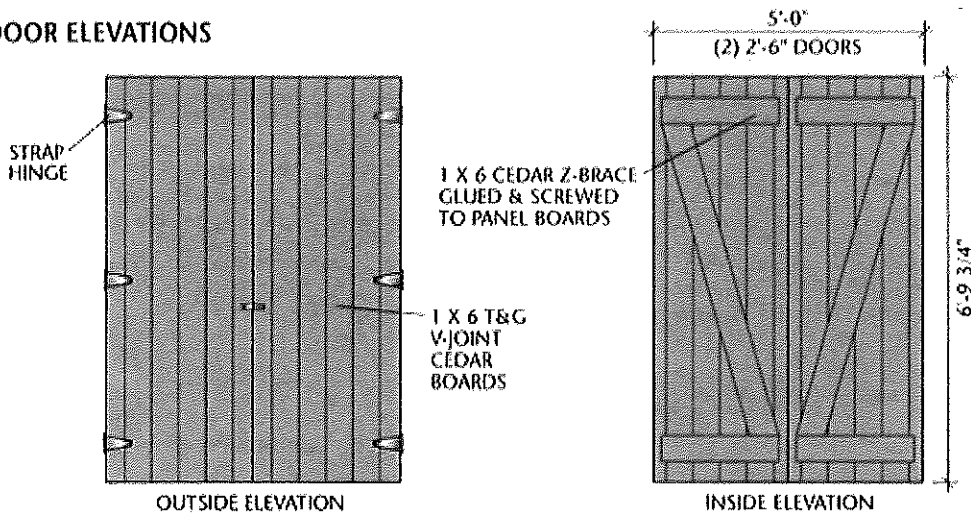


RAMP DETAIL (OPTIONAL)



DOOR ELEVATIONS



If you want 12,000 more shed plans with details, drawings, elevations and step by step instructions like this, [visit Ryan's Shed Plans now](#) and get started on your next shed!