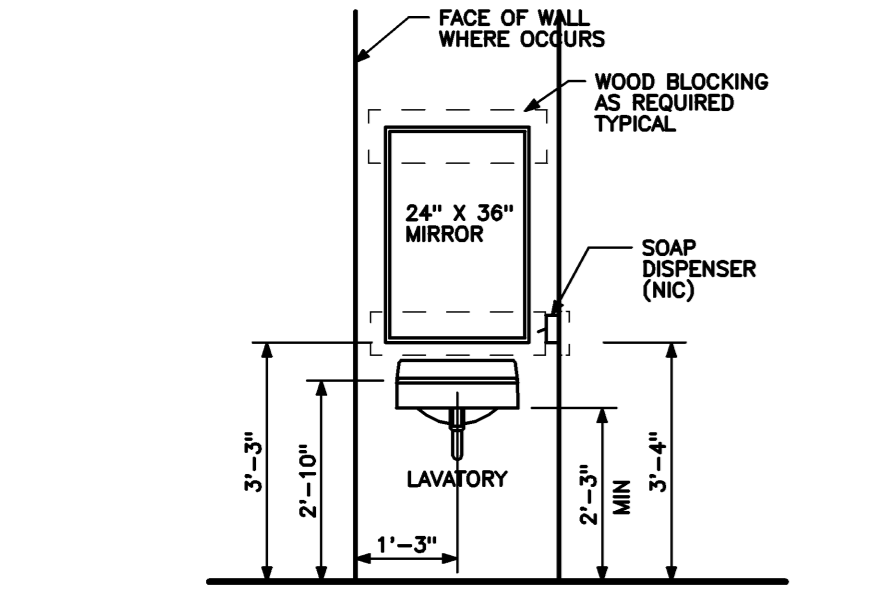


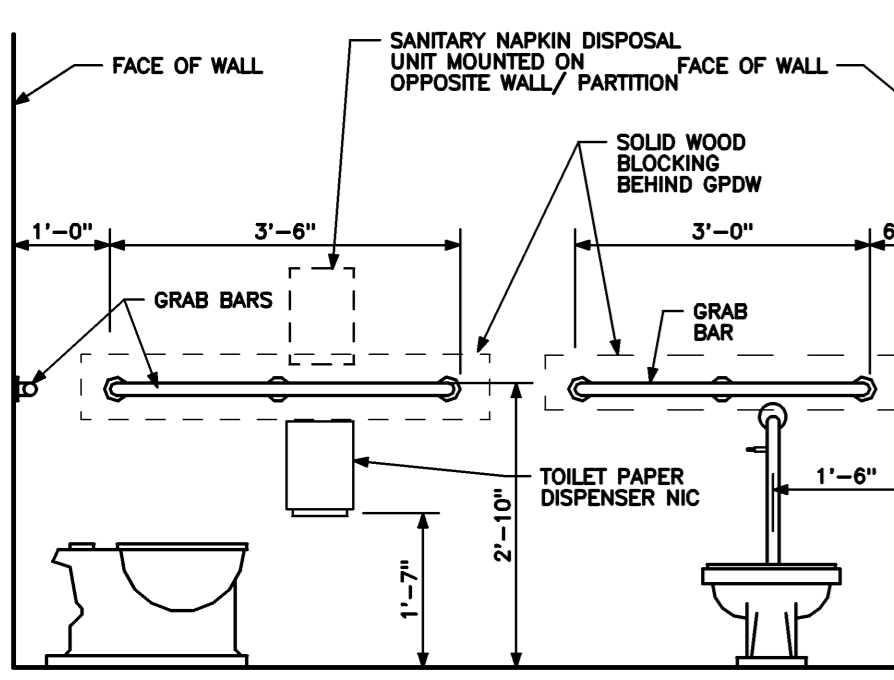
NOTE: DISPENSERS INDICATED AS "N.I.C." ARE NOT IN CONTRACT AND WILL BE FURNISHED BY TENANT

DISPENSER HEIGHTS		E6
NTS	REF: A10.1	

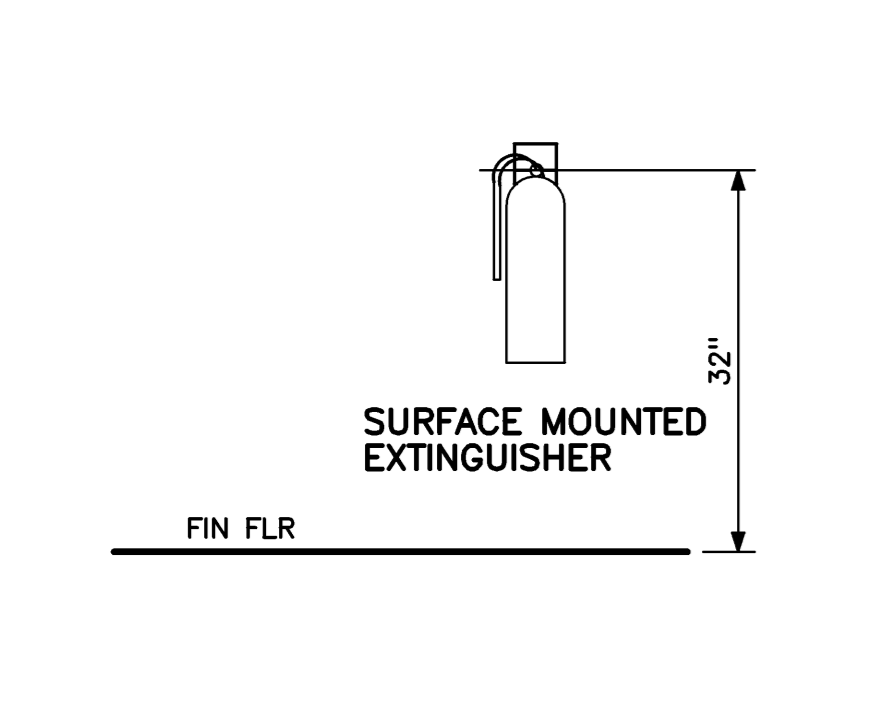


WALL MOUNTED LAV

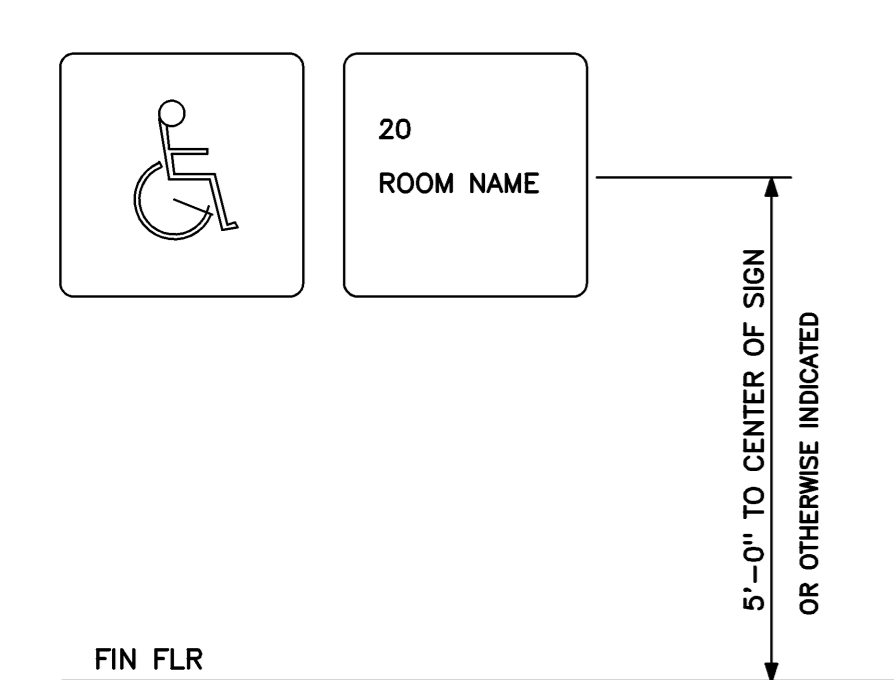
LAVATORY MOUNTING HEIGHTS		D6
NTS	REF: A10.1	



ACCESSORY MOUNTING DETAIL		C6
NTS	REF: A10.1	



FIRE EXTING. CABINET MOUNTING		B6
NTS	REF: A10.1	



ACCESSIBLE SIGNAGE		A6
NTS	REF: A60.1	

MATERIALS LEGEND

MATERIAL	CODE NO.	MANUF / SERIES	COLOR / FINISH
CARPET	C1	PATCRAFT, DAZZLE TILE IO119	00512 EXQUISITE
			MONOLITHIC INSTALLATION
VC TILE	VCT1	ARMSTRONG, STANDARD EXCELON, IMPERIAL TEXTURE	57500 PURPLE BROWN
PORCELAIN TILE	PT1	CROSSVILLE, 6" X 6" COTTO AMERICANA	TAN, AV172
		GROUT - BOSTIK TRUCOLOR	ALMOND 153
	PT2	CROSSVILLE, 6" X 6" COTTO AMERICANA	RED, AV173
		GROUT - BOSTIK TRUCOLOR	SUMMER WHEAT 150
RUBBER FLOOR.	RF1	ECORE, EVERLAST ROLL	PEANUT CRUNCH
VINYL PLANK	VP1	ESTRIE FLOORING, TECCARE	LP6-06, MEDIUM WALNUT
FLOORING			
WALLCOVERING	WC1	TRIKES, LANARK BUNGALOW	MS-710-02 MOCHA JAVA
	WC1	CUSTOM GRAPHIC FOR EARTH SCHEME	
PAINT	P1	SHERWIN WILLIAMS	SW 6505 ATMOSPHERIC
	P2	SHERWIN WILLIAMS	SW 6095 TOASTY
	P3	SHERWIN WILLIAMS	SW 6130 MANNERED GOLD
	P4	BENJAMIN MOORE	2028-40 PEAR GREEN
	P5	BENJAMIN MOORE	READY MIXED NAVAJO WHITE
	P6	BENJAMIN MOORE	2166-30 BRONZE TONE
	P7	BENJAMIN MOORE	CHALKBOARD PAINT 307/BLACK
	P8	SHERWIN WILLIAMS	SW 7006 EXTRA WHITE, FLAT FINISH
VINYL BASE	VB1	JOHNSONITE 4" COVE	167 FUDGE
ACOUST. CLG.	ACT1	ARMSTRONG	NO. 1732 FINE FISSURED, TEGULAR

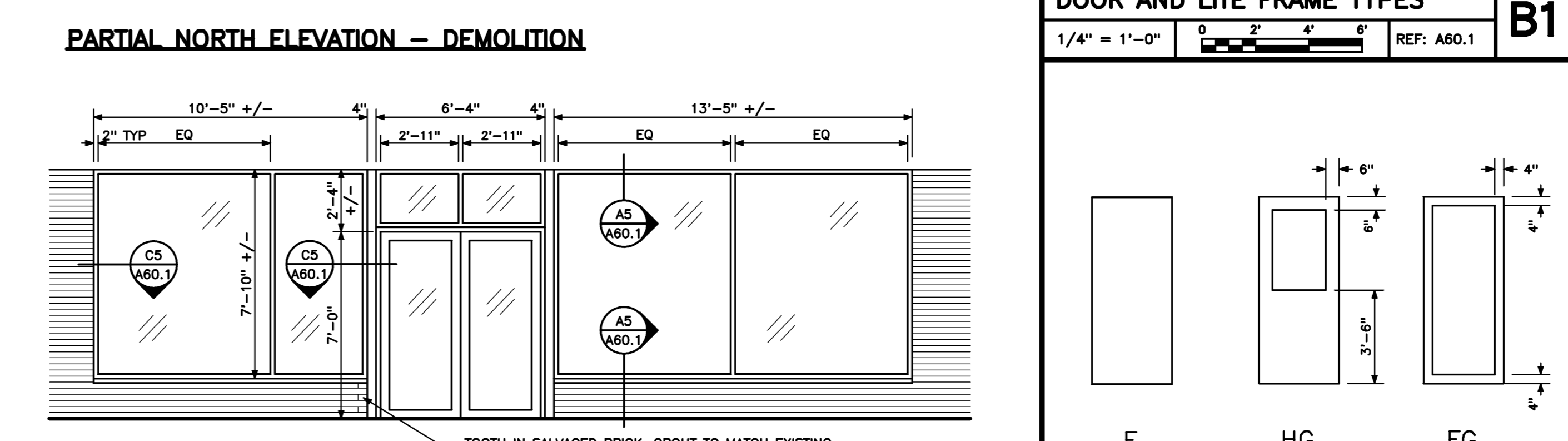
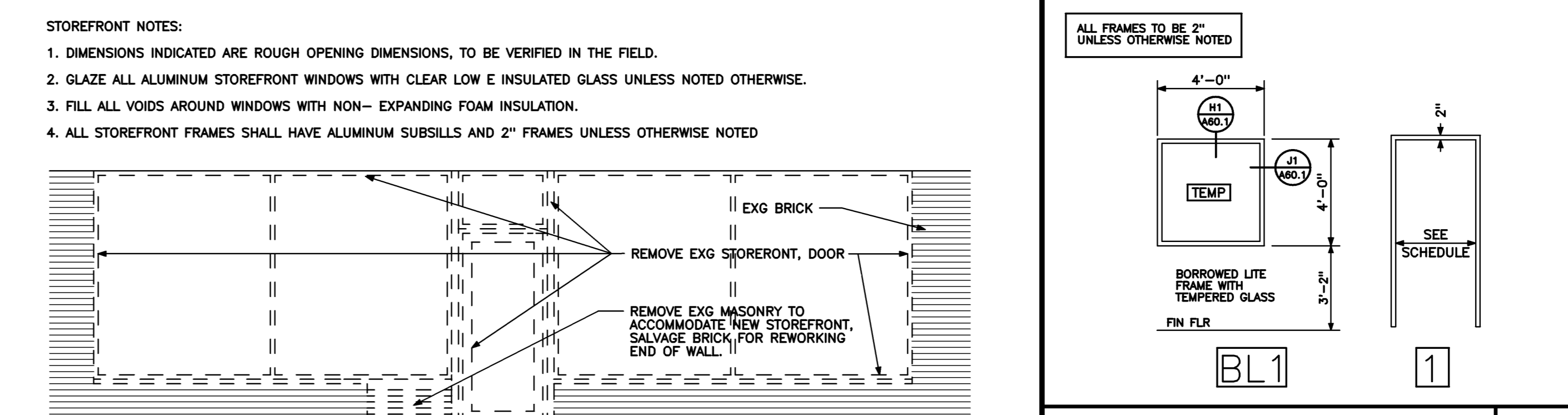
ROOM FINISH SCHEDULE

NO.	ROOM NAME	FLOOR		BASE		WALLS	CEILING			REMARKS
		MAT	COLOR NO.	MAT	COLOR NO.	MAT	MAT	COLOR NO.	HT	
100	GUEST LOBBY	VCT	VCT1	VINYL	VB1	GPDW	ACT	ACT1	10'-0"	
101	MANAGER	CARPET	C1	VINYL	VB1	GPDW	ACT	ACT1	10'-0"	
102	MEMBER AREA	VCT	VCT1	VINYL	VB1	GPDW	ACT	ACT1	10'-0"	
103	TANNING	VCT	VCT1	VINYL	VB1	GPDW	ACT	ACT1	10'-0"	
104	WOMEN	PT	PT1	PT	PT2	PT2/GPDW	ACT	ACT1	8'-0"	PORCELAIN TILE TO 42" AFF. COVE BASE. BULLNOSE WAINSCOT CAP & EXTERNAL CORNERS.
105	MEN	PT	PT1	PT	PT2	PT2/GPDW	ACT	ACT1	8'-0"	PORCELAIN TILE TO 42" AFF. COVE BASE. BULLNOSE WAINSCOT CAP & EXTERNAL CORNERS.
106	UNISEX	PT	PT1	PT	PT2	PT2/GPDW	ACT	ACT1	8'-0"	PORCELAIN TILE TO 42" AFF. COVE BASE. BULLNOSE WAINSCOT CAP & EXTERNAL CORNERS.
107	UTILITY	VCT	VCT1	VINYL	VB1	GPDW	EXG	-	-	
108	STRENGTH TRAINING	CARPET	C1	VINYL	VB1	GPDW	EXG	P8	-	
109	GROUP EXERCISE	VP	VP1	VINYL	VB1	GPDW	ACT	ACT1	10'-0"	
110	FREE WEIGHTS	RF	RF1	VINYL	VB1	GPDW	EXG	P8	-	
111	CARDIO	CARPET	C1	VINYL	VB1	GPDW	EXG/ACT	P8 ACT1	-/10'-0"	

- SEE B1/A10.1 FOR WALL PAINT COLOR DESIGNATIONS.
- HM DOORS AND FRAMES TO BE PAINTED THE COLOR OF THE ADJACENT WALL.
- CURVED SOFFIT SIDES & UNDERSIDE AND SOFFIT EDGE COLOR TO BE P3.
- ALL EXG EXPOSED ROOF DECK AND JOISTS, AND ALL NEW AND EXG EXPOSED PIPING AND DUCTWORK TO BE P8.
- UNDERSIDE OF SOFFIT AT GRAPHIC WALL TO BE P6.

DOOR AND FRAME SCHEDULE

No.	DOOR								FRAME				FIRE RATING	HDW SET	REMARKS	
	SIZE			MAT	TYPE	GLASS	LOUVER	H	DETAILS							
	W	H	T						MAT	TYPE	HEAD	JAMB				SILL
100	6'-0"	7'-0"	1 3/4"	AL	FG	-	-	-	AL	1	A5	C5	S1	-	-	
101	3'-0"	7'-0"	1 3/4"	HM	F	-	-	-	HM	1	H1	J1	-	-	-	
103	3'-0"	7'-0"	1 3/4"	HM	F	-	-	-	HM	1	H1	J1	-	-	-	
104	3'-0"	7'-0"	1 3/4"	HM	F	-	-	-	HM	1	H1	J1	-	-	-	
105	3'-0"	7'-0"	1 3/4"	HM	F	-	-	-	HM	1	H1	J1	-	-	-	
106	3'-0"	7'-0"	1 3/4"	HM	F	-	-	-	HM	1	H1	J1	-	-	-	
107	3'-0"	7'-0"	1 3/4"	HM	F	-	-	-	HM	1	H1	J1	-	-	-	
109	6'-0"	7'-0"	1 3/4"	HM	HG	-	-	-	HM	1	H1	J1	-	-	-	
110	EXISTING DOOR TO REMAIN															



PARTIAL EXTERIOR ELEVATIONS		A2
1/4" = 1'-0"	REF: A60.1	

HARRIMAN Architects + Engineers
 46 Harriman Drive
 Auburn, ME 04210
 207.784.5100 tel
 123 Main Street
 Portland, ME 04101
 603.626.0033 tel
 One Parimeter Road
 Manchester, NH 03103
 603.626.1242 tel
 www.harriman.com
 © 2011

Project Title
WESTGATE SHOPPING CENTER ANYTIME FITNESS
 PORTLAND, MAINE

HA Project No.	11110
----------------	-------

Key Plan	
----------	--

Issue Dates		
-	07-13-11	ISSUED FOR CONSTRUCTION
-	06-13-11	95% REVIEW
Mark	Date	Description

Drawing Status	
----------------	--

Drawing Title
DOOR SCHEDULE, ROOM FINISH SCHEDULE, DETAILS

PA / PE: DRE	Drawn By: DRE
--------------	---------------

Drawing Number	
----------------	--

A60.1