

Mark	Date	Description
-	07-13-11	ISSUED FOR CONSTRUCTION
-	06-13-11	95% REVIEW

Issue Dates

Drawing Status

--	--	--

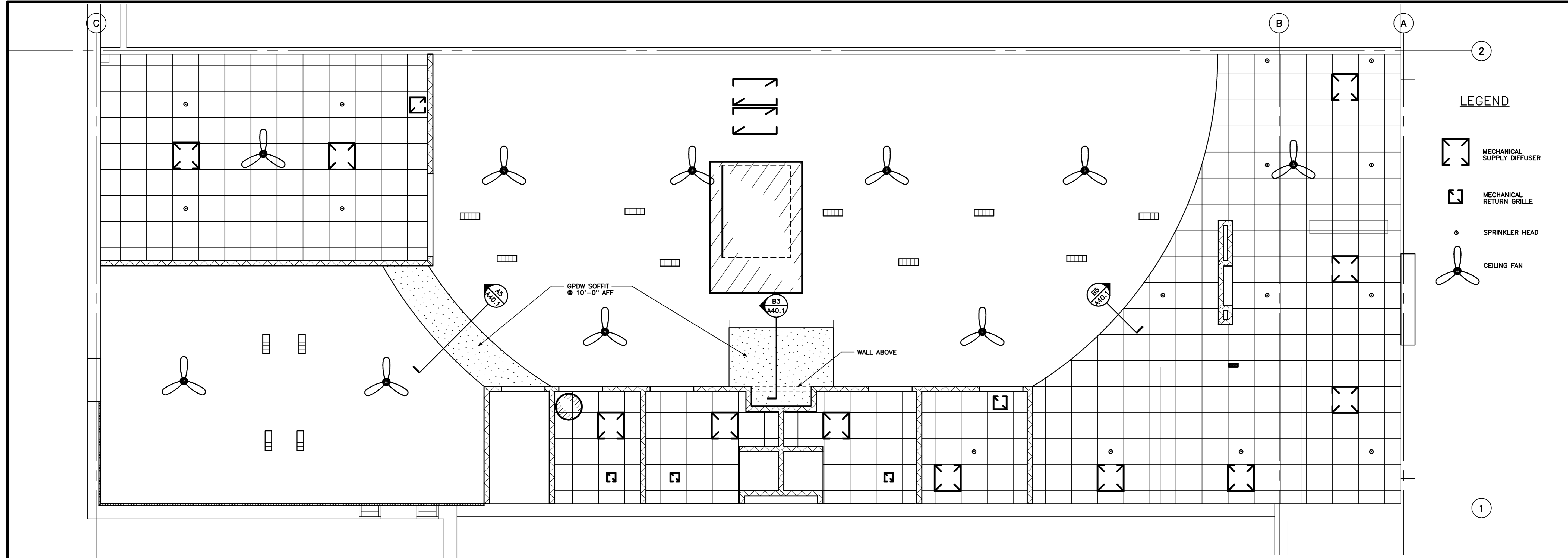
Drawing Title

CEILING PLAN, DETAILS

PA / PE: **DRE** Drawn By: **DRE**

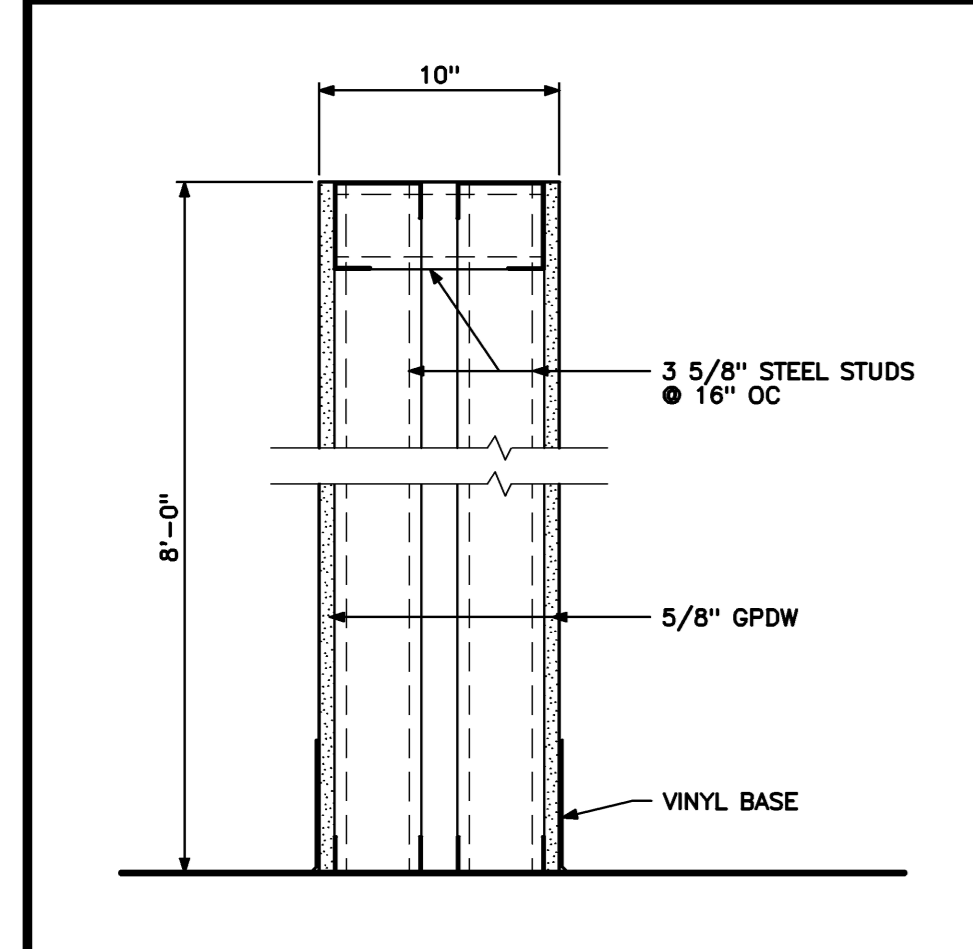
Drawing Number

A40.1

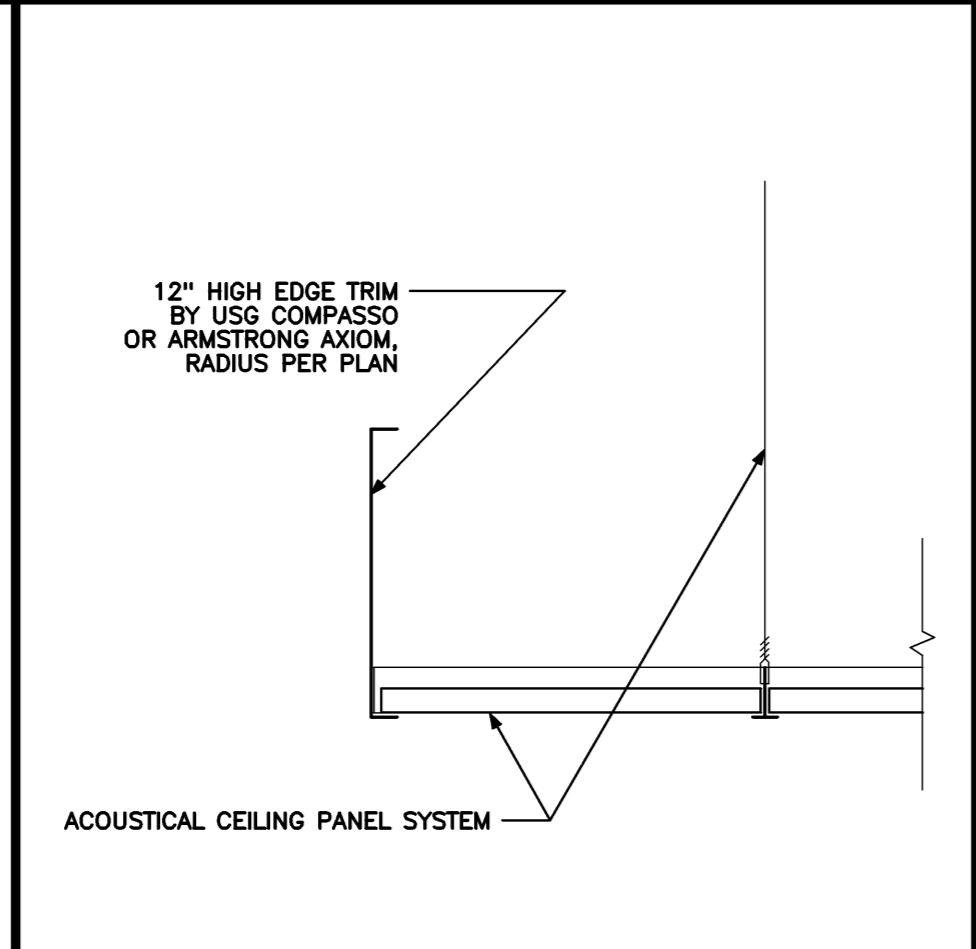


- LEGEND**
- MECHANICAL SUPPLY DIFFUSER
 - MECHANICAL RETURN GRILLE
 - SPRINKLER HEAD
 - CEILING FAN

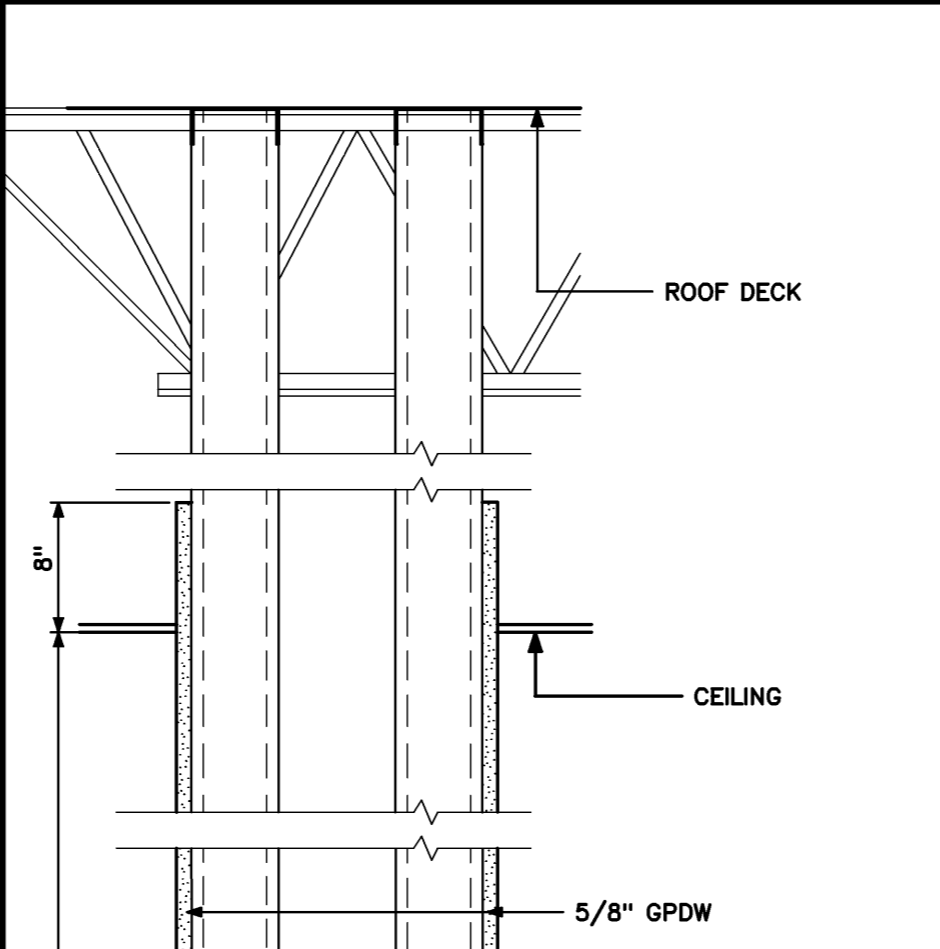
CEILING PLAN
1/4" = 1'-0" REF: NA **B1**



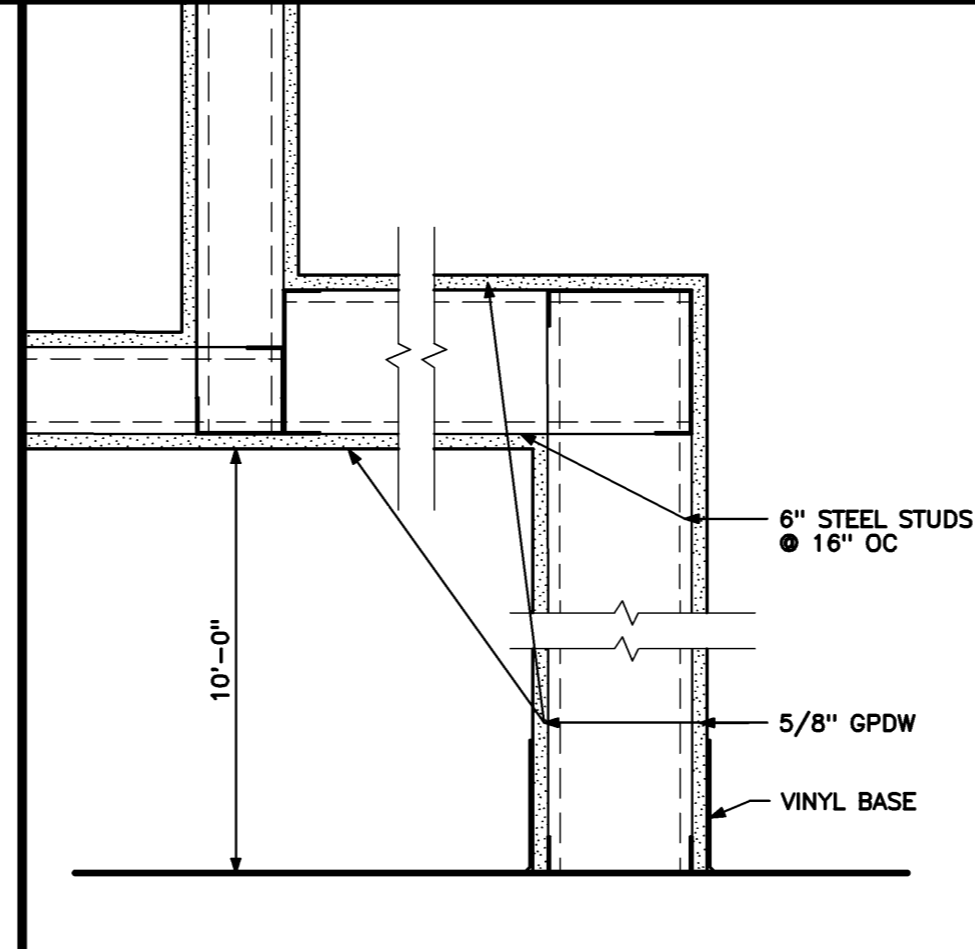
INSPIRATION WALL DETAIL
1 1/2" = 1'-0" REF: A10.1 **B6**



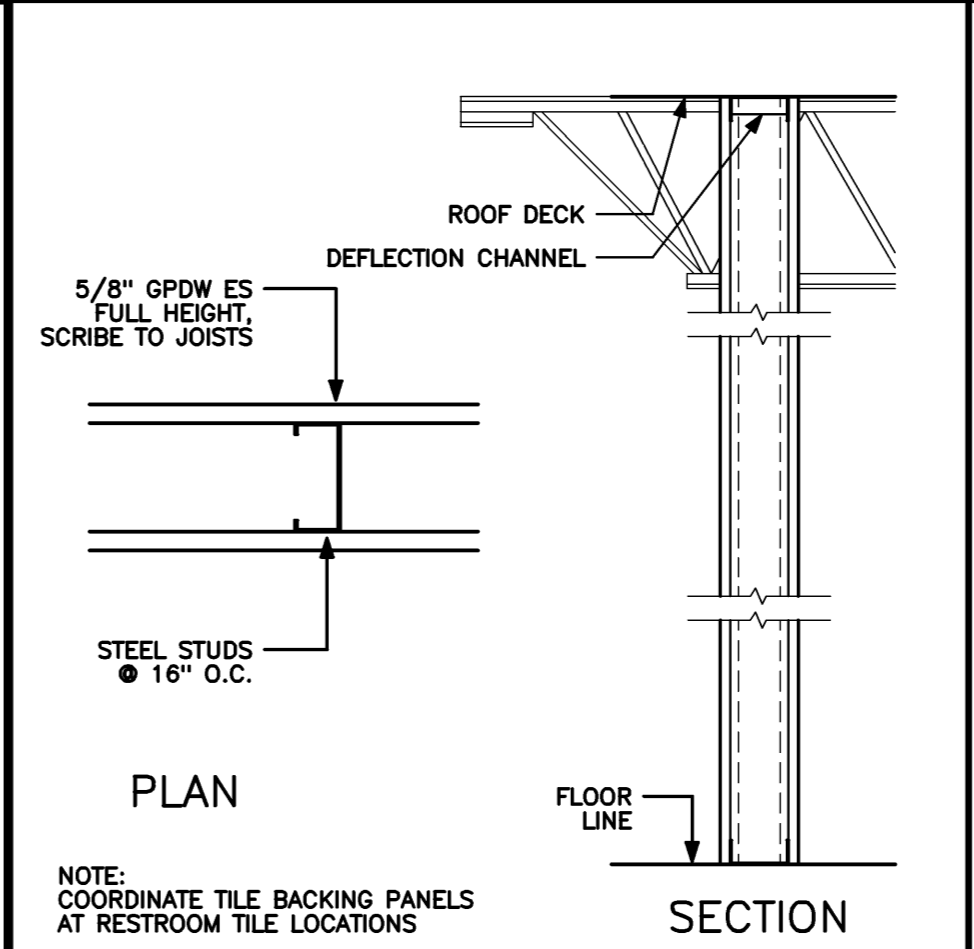
CEILING EDGE DETAIL
1 1/2" = 1'-0" REF: A10.1 **B5**



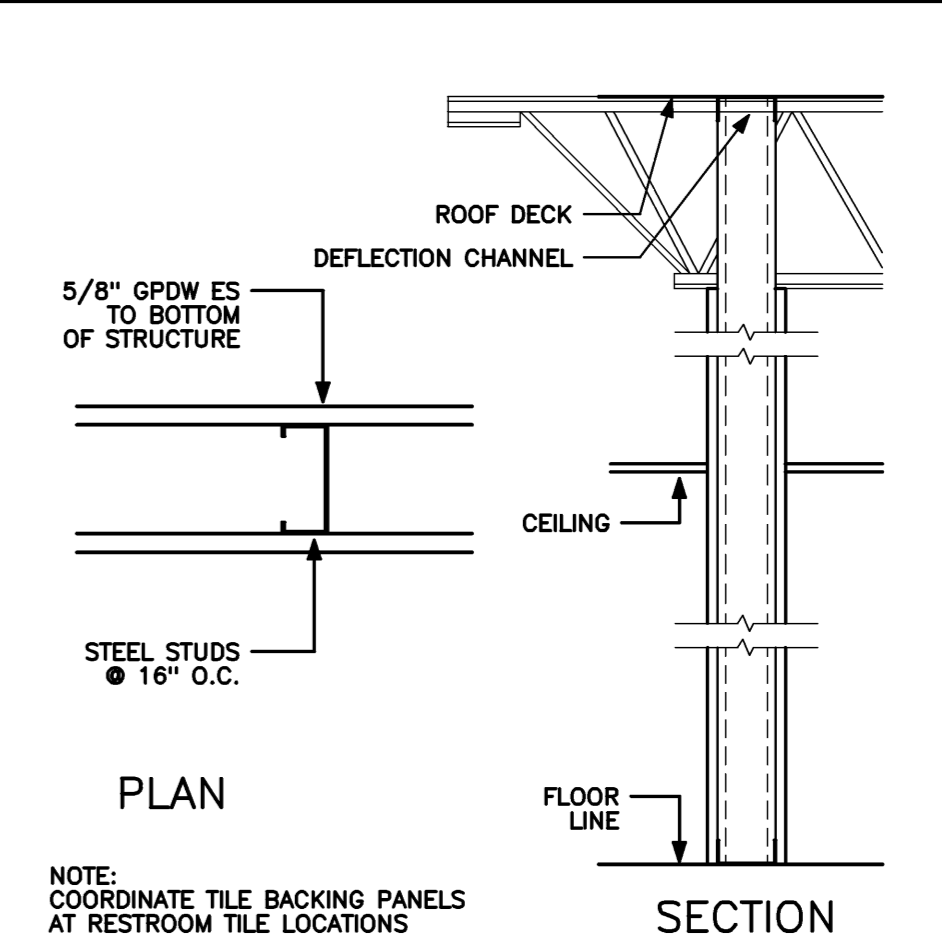
GRAPHIC WALL DETAIL
1 1/2" = 1'-0" REF: A10.1 **B3**



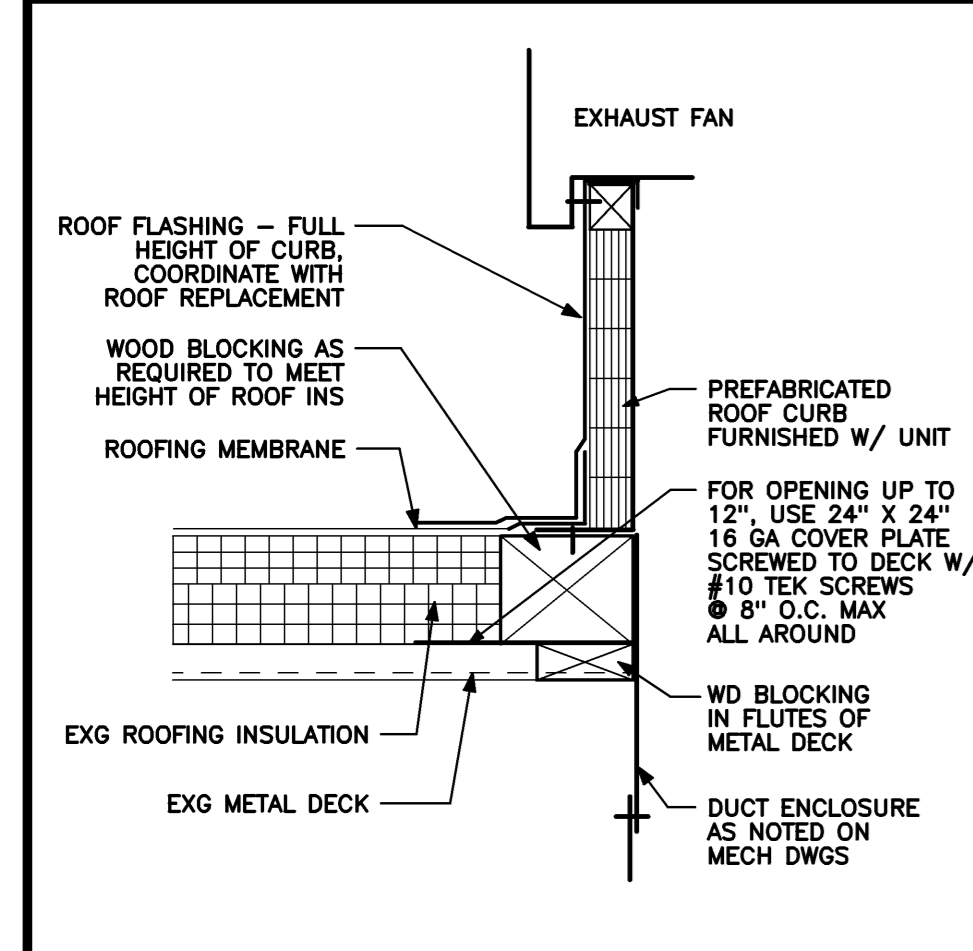
LOGO WALL SECTION
1 1/2" = 1'-0" REF: 10.1 **A4**



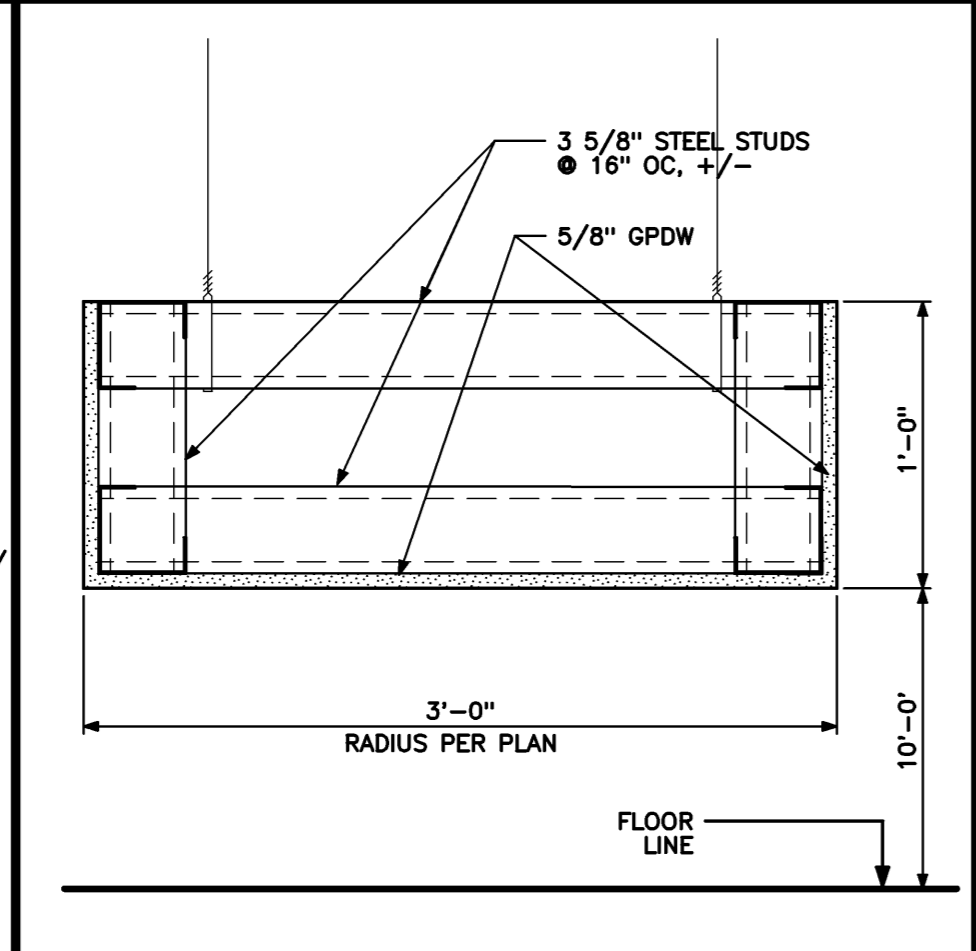
LOGO WALL ELEVATION
1/4" = 1'-0" REF: A10.1 **A3**



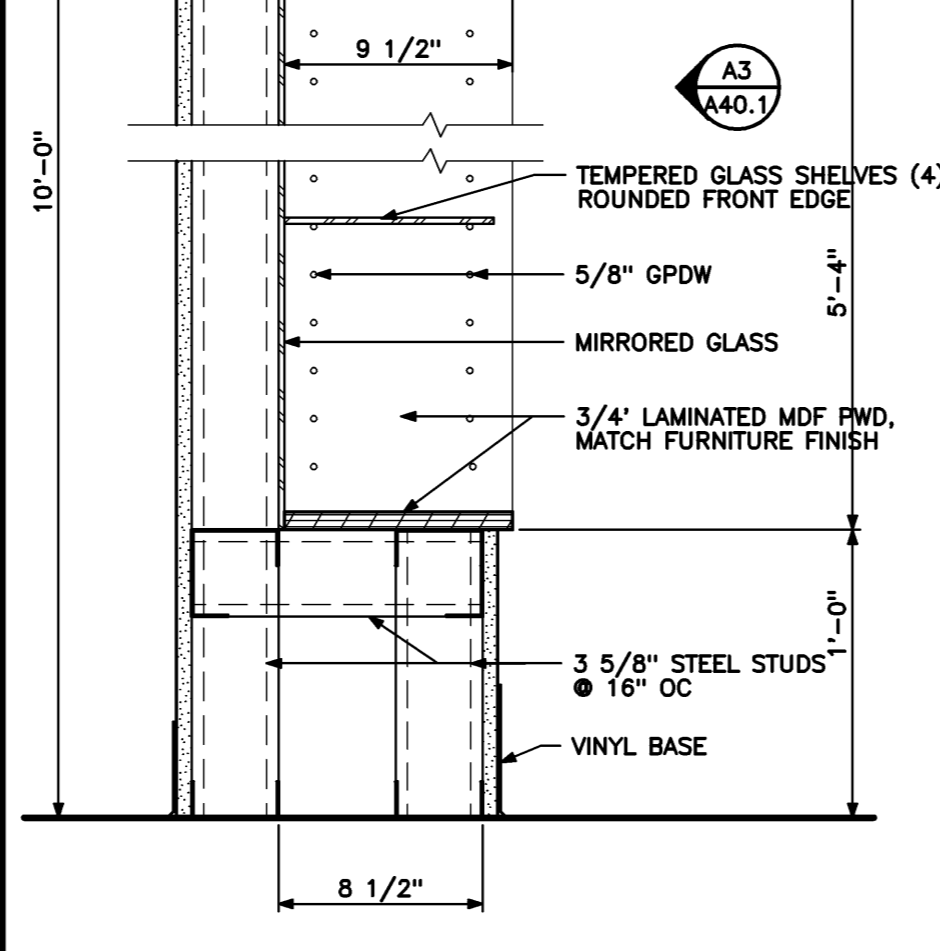
ROOF PENETRATION DETAIL
1 1/2" = 1'-0" REF: MECH **A6**



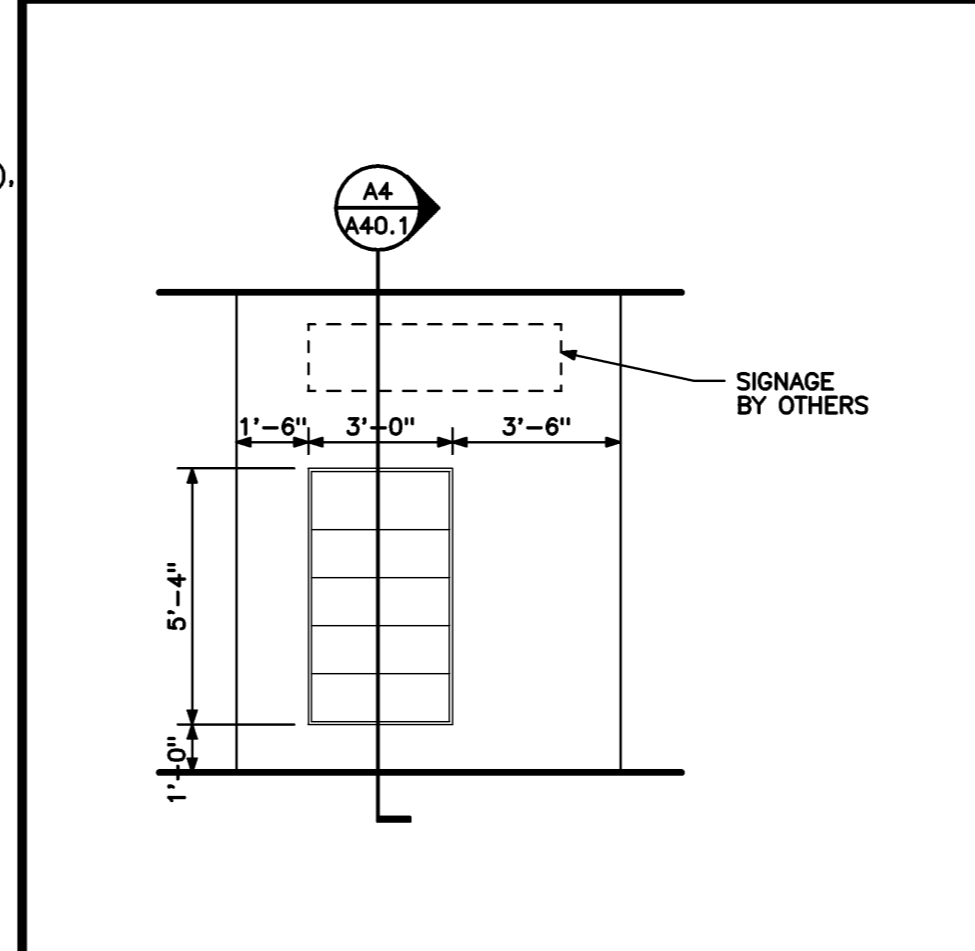
SOFFIT DETAIL
1 1/2" = 1'-0" REF: B1/A10.1 **A5**



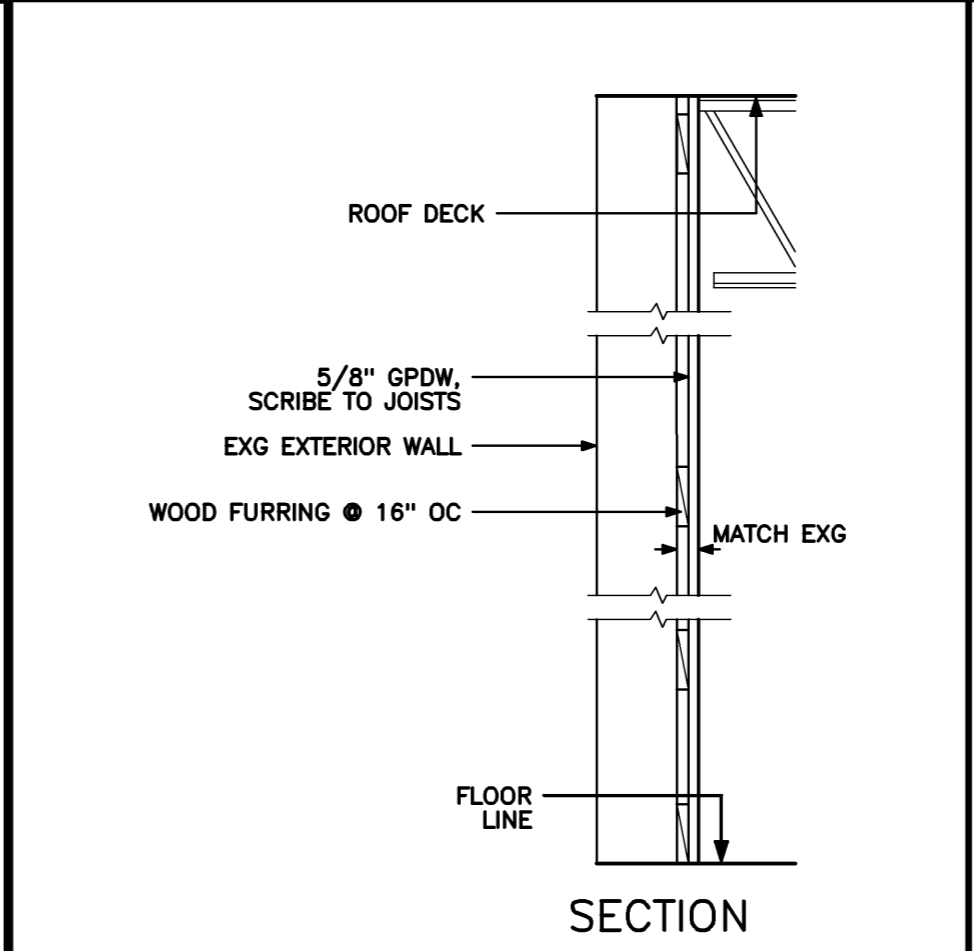
LOGO WALL SECTION
1 1/2" = 1'-0" REF: 10.1 **A4**



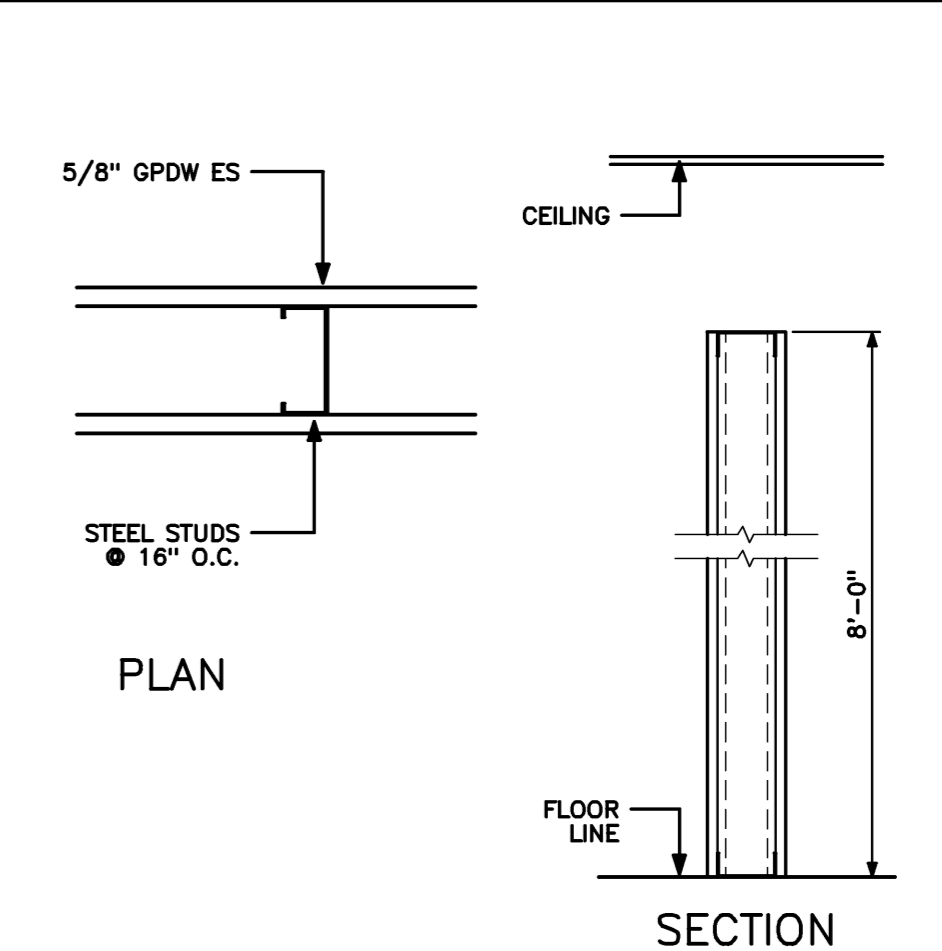
LOGO WALL ELEVATION
1/4" = 1'-0" REF: A10.1 **A3**



ROOF PENETRATION DETAIL
1 1/2" = 1'-0" REF: MECH **A6**



CEILING DETAIL
1 1/2" = 1'-0" REF: B1/A10.1 **A5**



CEILING DETAIL
1 1/2" = 1'-0" REF: B1/A10.1 **A5**