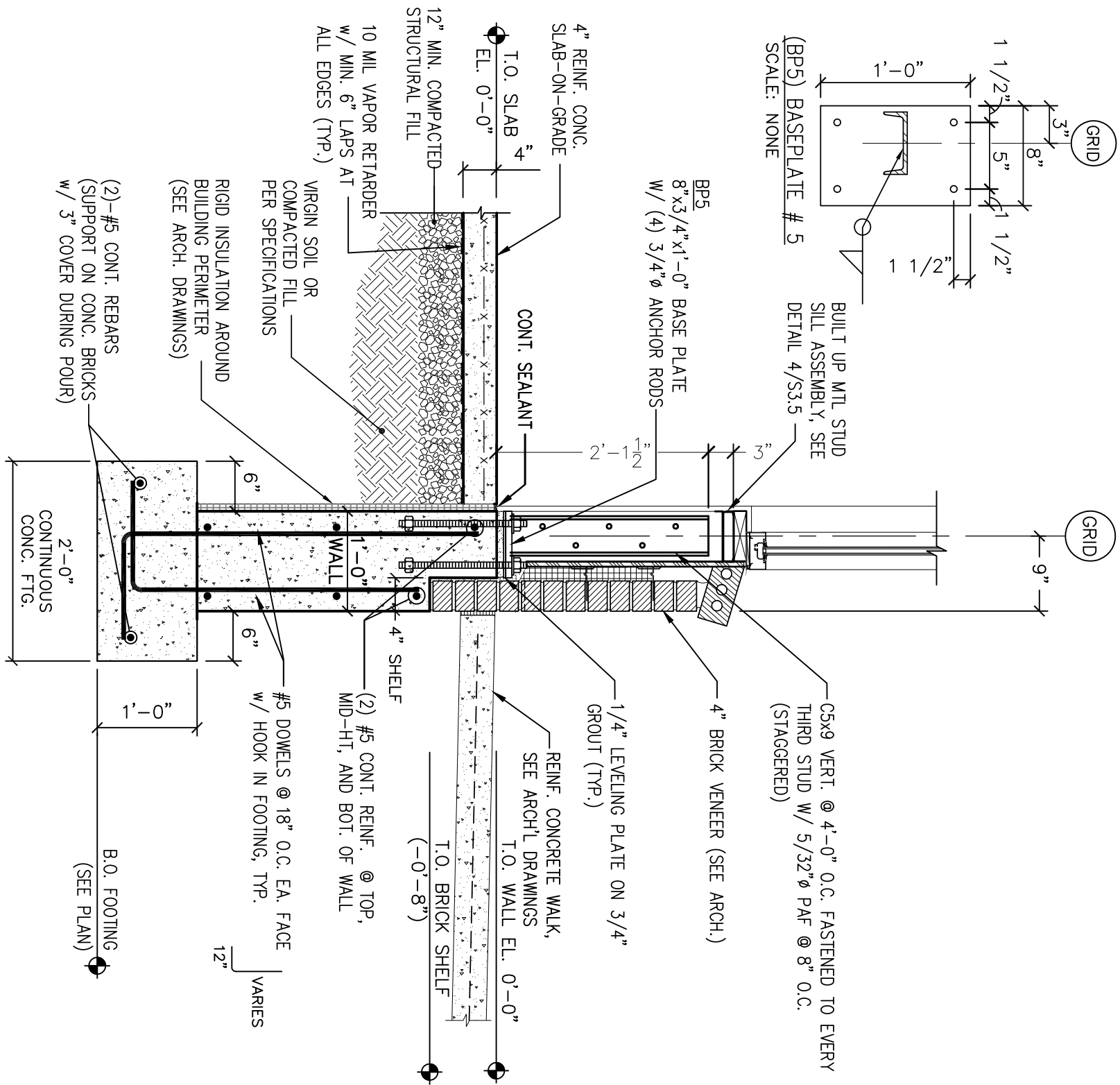
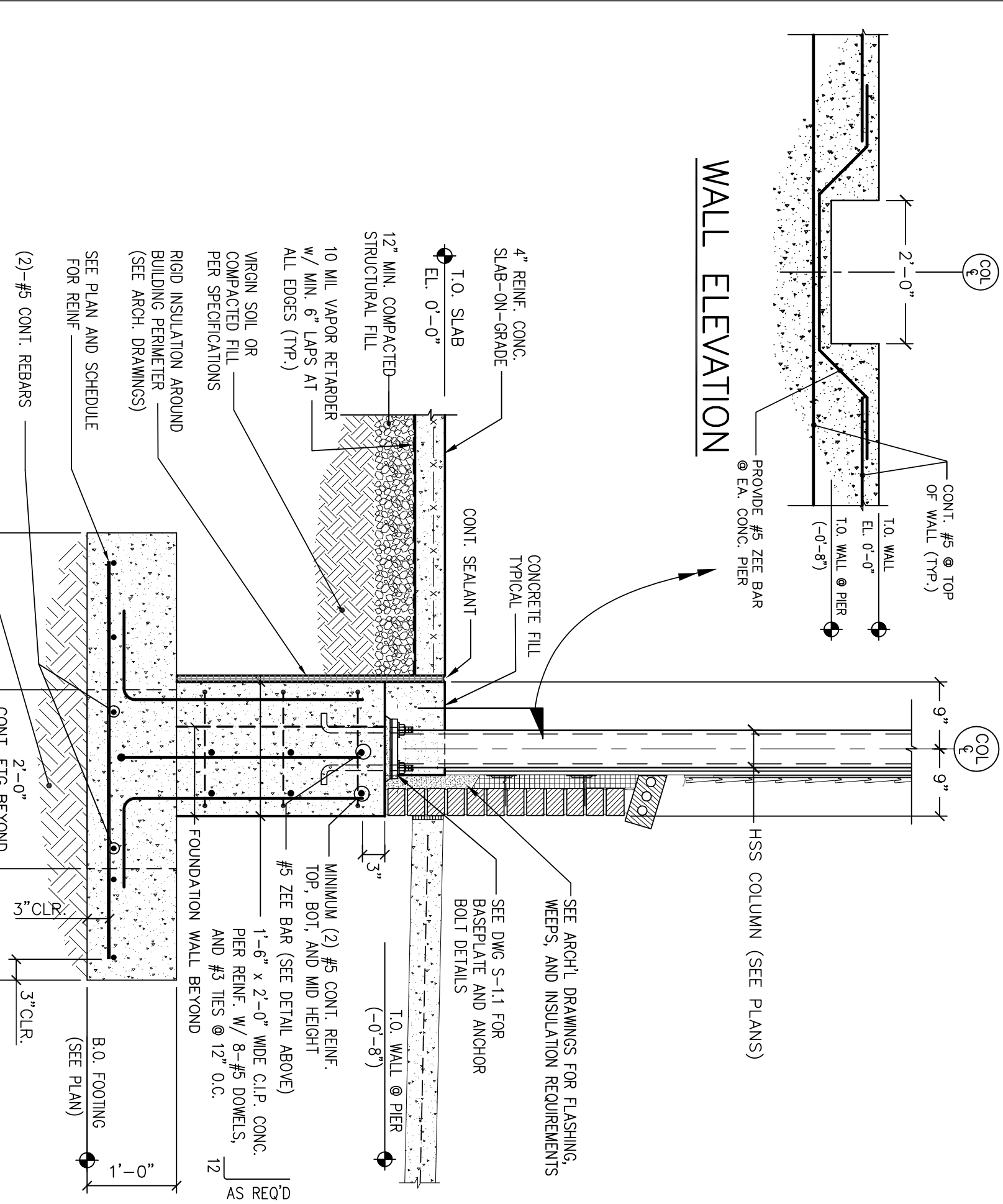


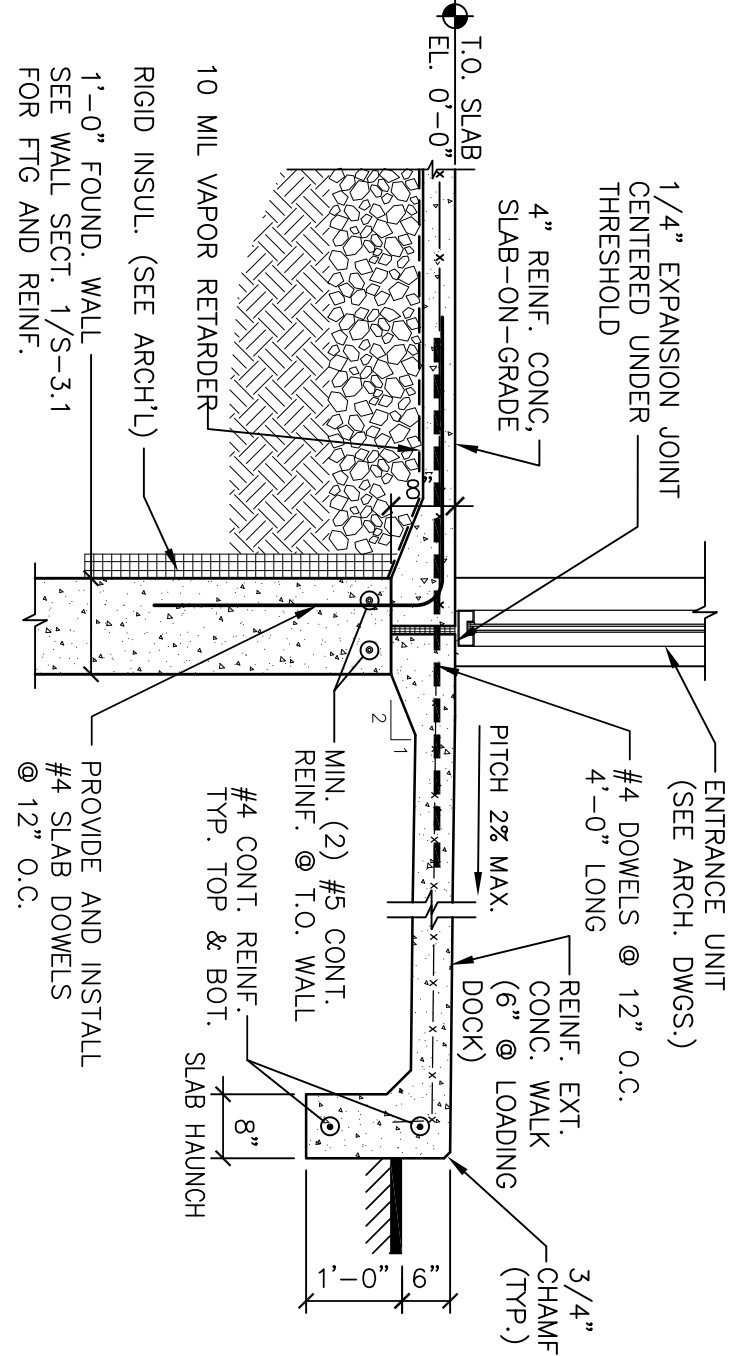
1 FOUNDATION WALL SECTION
SCALE: 3/4"=1'-0"



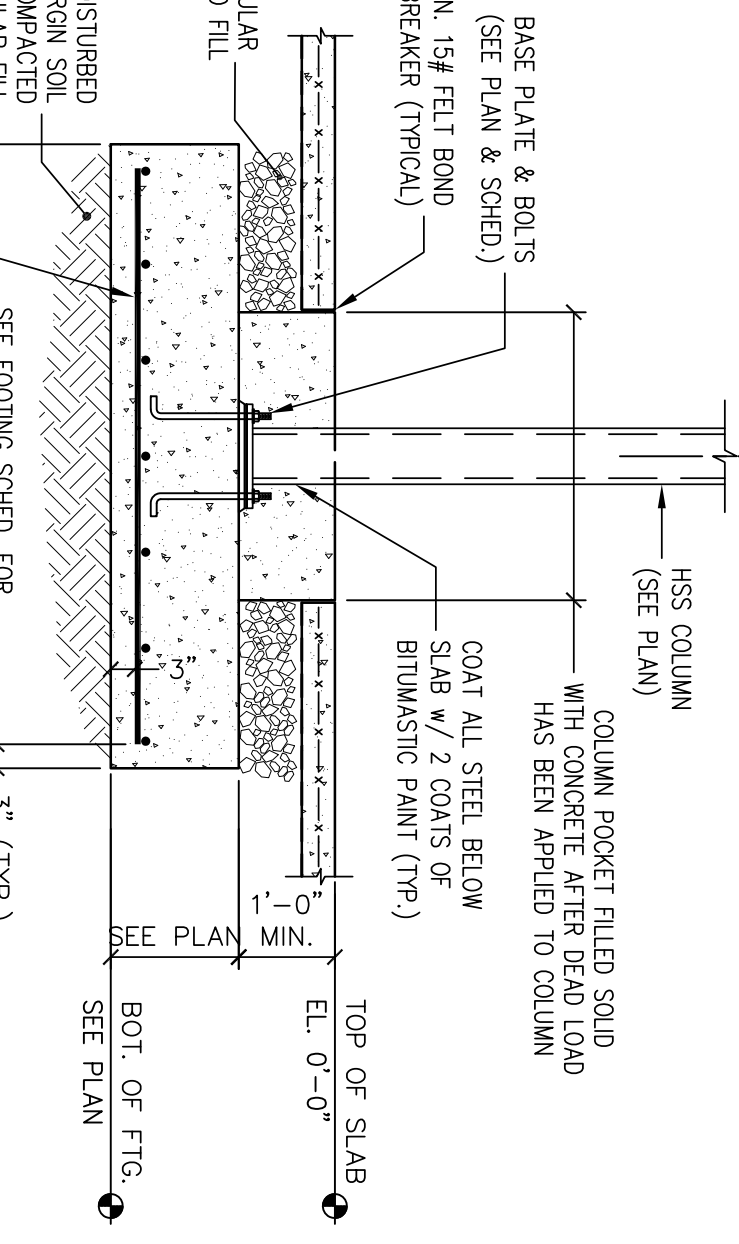
2 FOUNDATION WALL @ WINDOW OPENINGS
SCALE: 3/4"=1'-0"



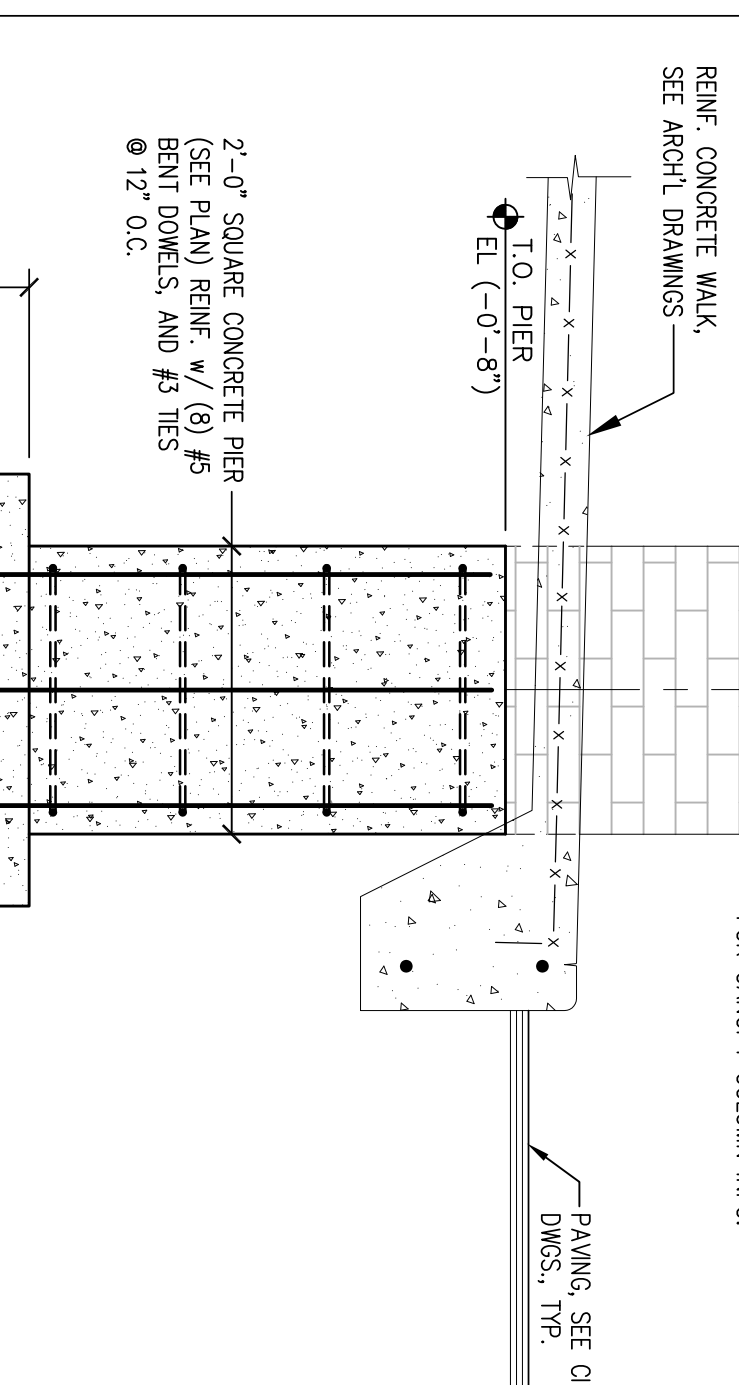
3 FOUNDATION WALL PIER AT COLUMN
SCALE: 3/4"=1'-0"



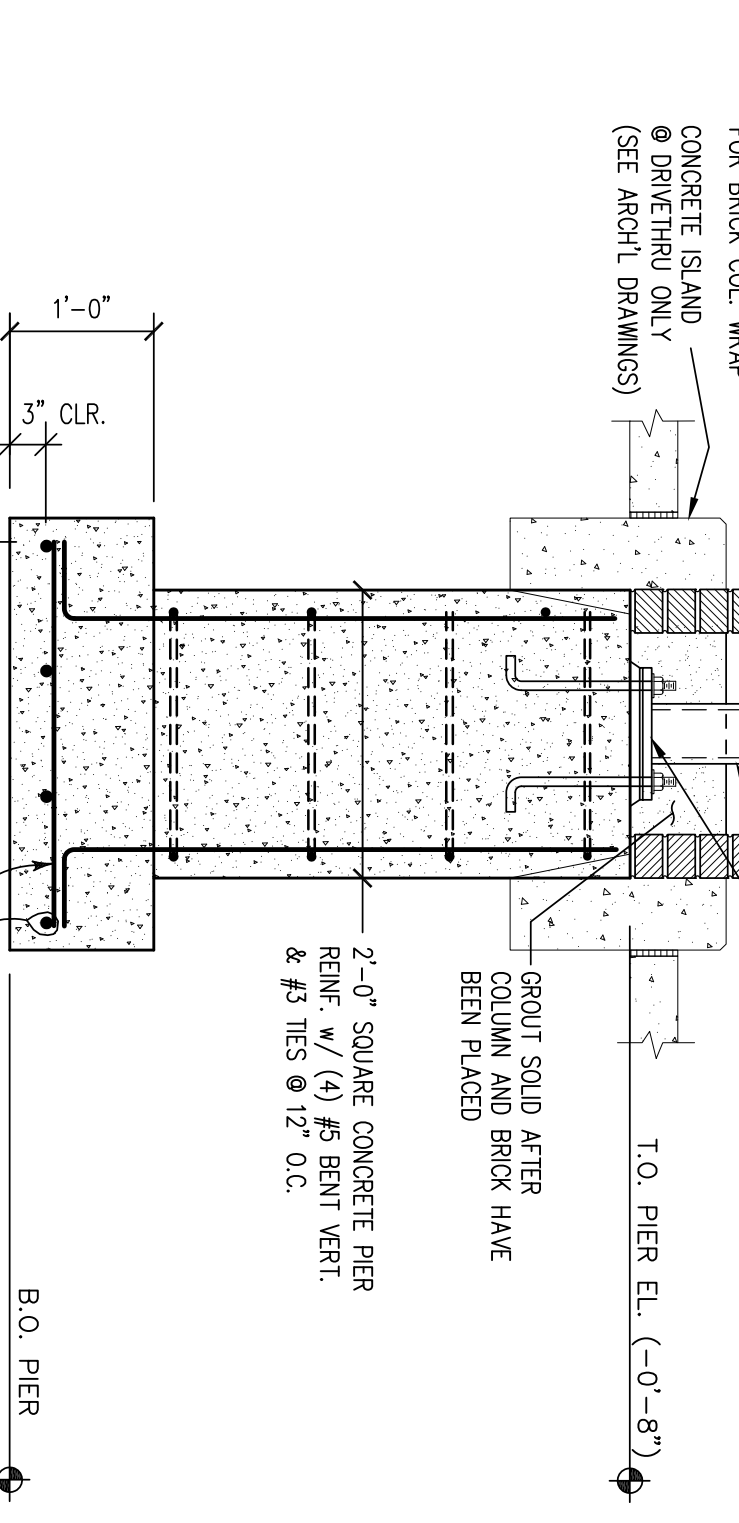
4 SECTION THROUGH DOOR OPENINGS
SCALE: 1/2"=1'-0"



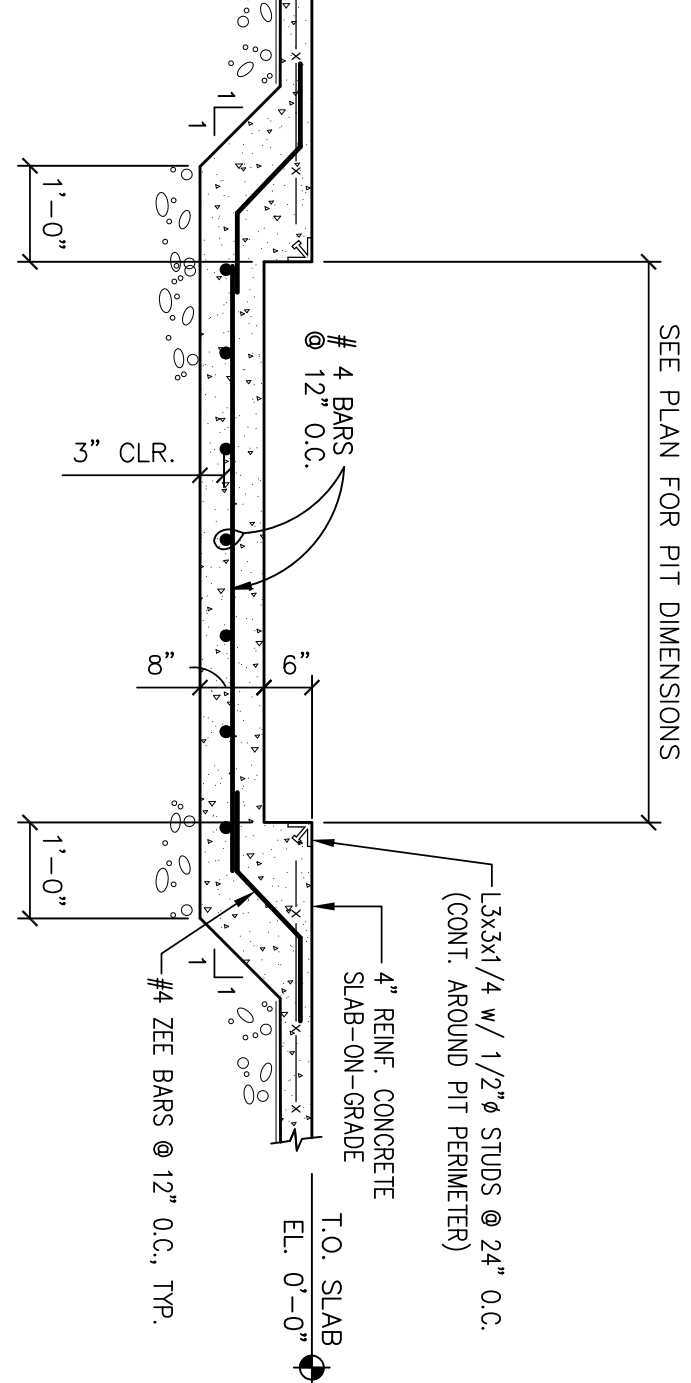
5 INTERIOR COLUMN DETAIL
SCALE: 1/2"=1'-0"



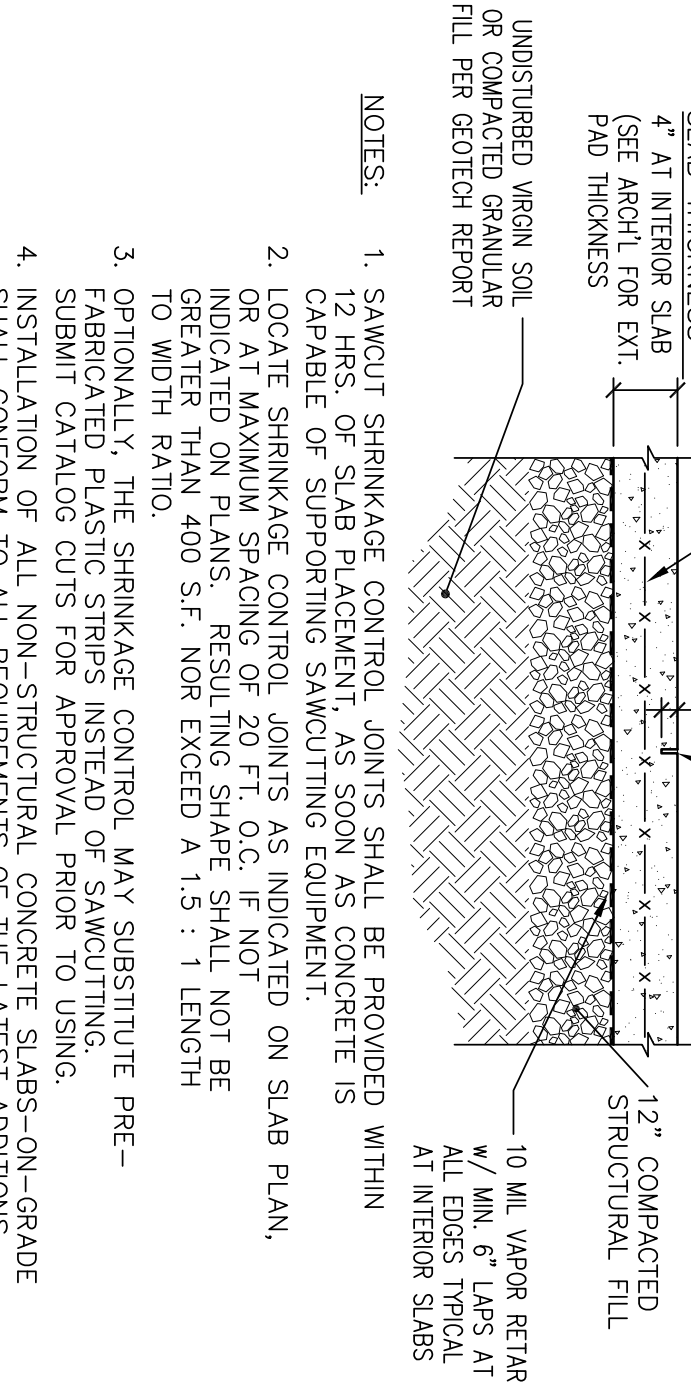
6 TYP. EXTERIOR CONC. PIER
SCALE: N.T.S.



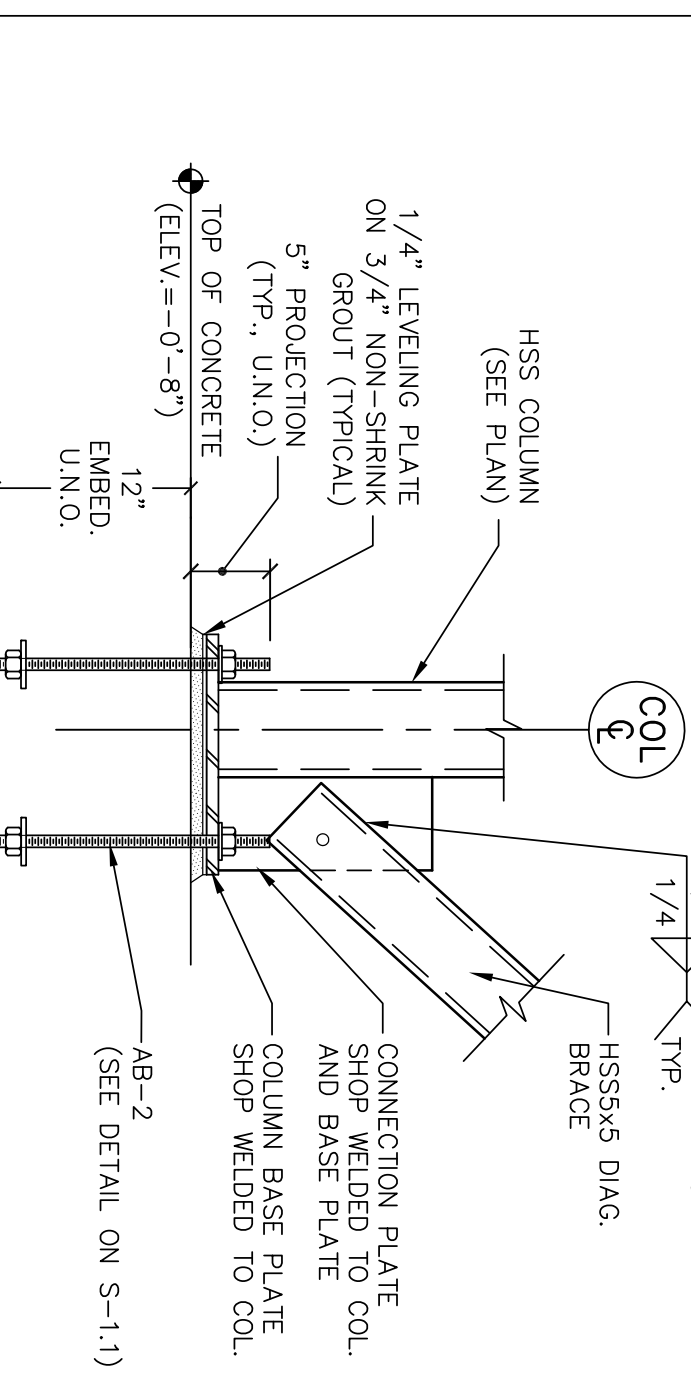
7 EXTERIOR CONC. PIER W/ COLUMN
SCALE: N.T.S.



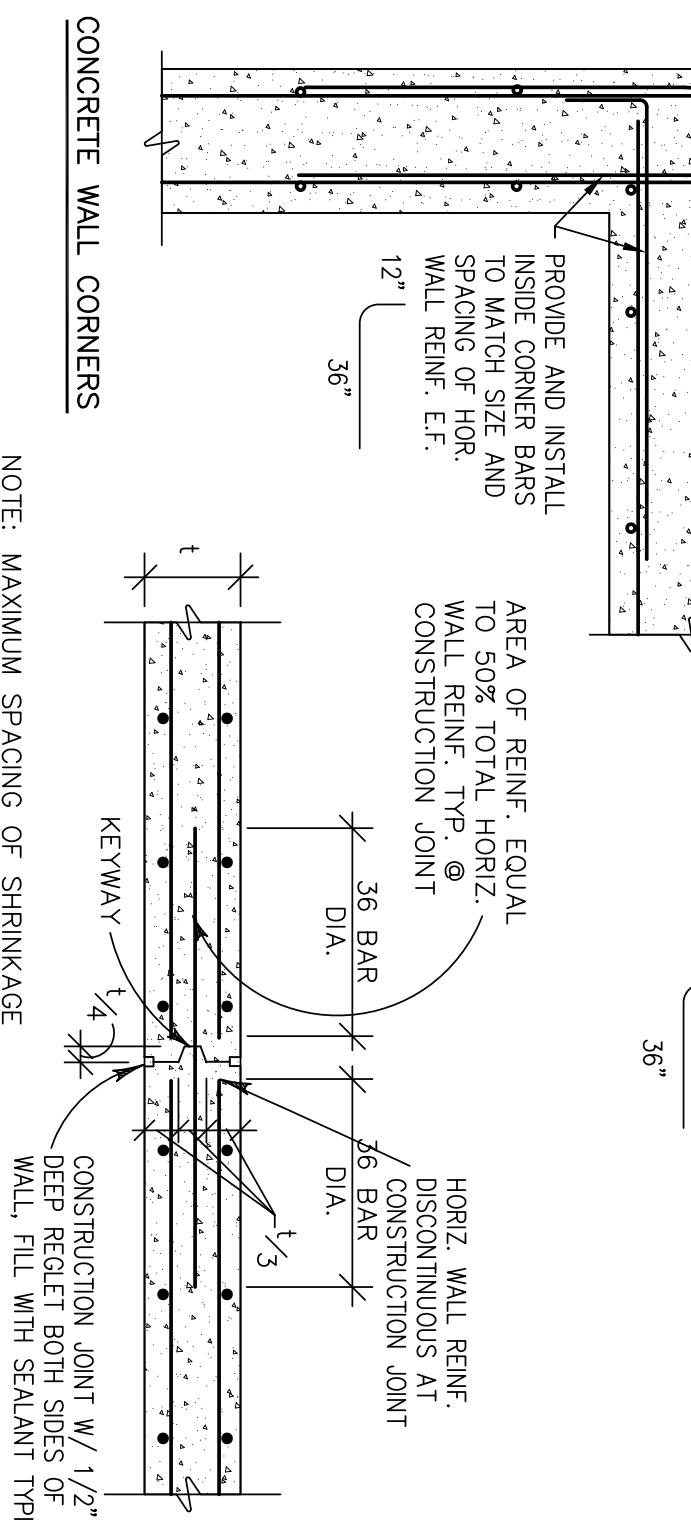
8 FREIGHT LIFT PIT DETAIL
SCALE: 1/2"=1'-0"



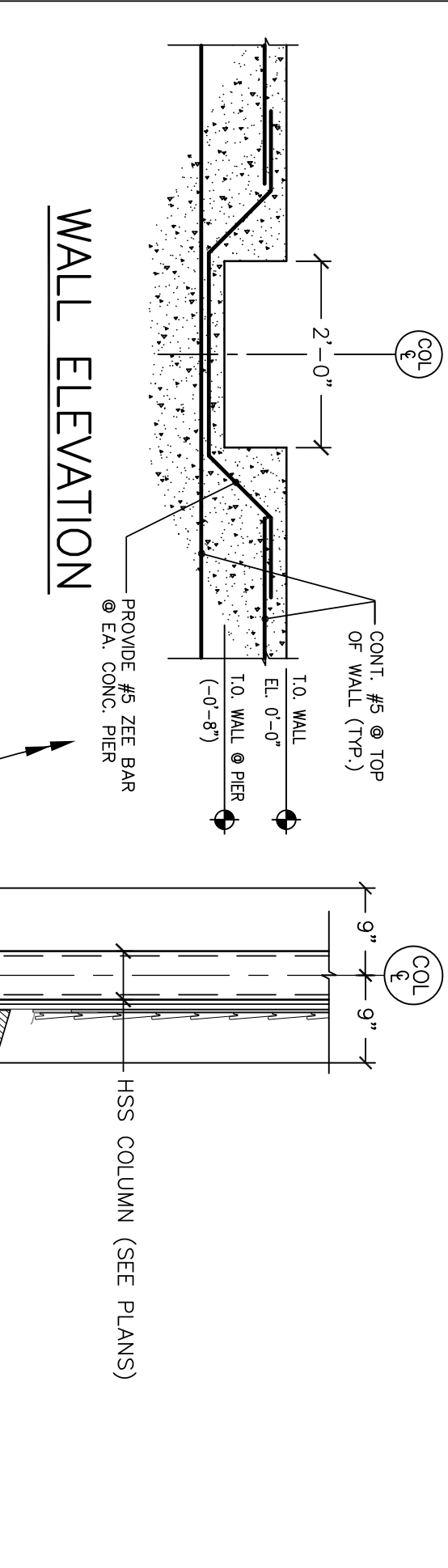
9 SLAB ON GRADE DETAIL
SCALE: 1"=1'-0"



10 TYP. DETAIL @ BRACED FRAMES
SCALE: 1"=1'-0"



11 CONC. WALL DETAILS
SCALE: 1"=1'-0"



WALL ELEVATION

Copyright © 2006 by BKA Architects, Inc. The architectural plans, drawings, designs, specifications and other arrangements on this sheet are and shall remain the property of BKA Architects, Inc. No part thereof shall be copied, disclosed to others, or used in connection with any work or project, other than the specified project for which they have been prepared and developed, without the express knowledge and written consent of BKA Architects, Inc.

DEVELOPER:
A & D REALTY, LLC
5 MILLITA DRIVE
LEXINGTON, MA 02421

pharmacy
NEW
STORE NUMBER: 329
NORTHGATE PLAZA
91 AUBURN STREET
PORTLAND, MAINE

CONSULTANT:
BKA Architects, Inc.
Architecture + Interiors
142 Crescent Street
Brockton, MA 02302
tel : 508.583.5603
fax : 508.584.2914
e-mail : bka@bkaarch.com

SEAL:

COMMENTS:
ISSUED FOR CONSTRUCTION

TITLE:
FOUNDATION WALL SECTIONS & DETAILS

SHEET NUMBER:
S-3.1

DATE:
08/31/2009

ENGINEERED BY:
MVC

DRAWING BY:
AG

JOB NUMBER:
209017

REVISIONS: