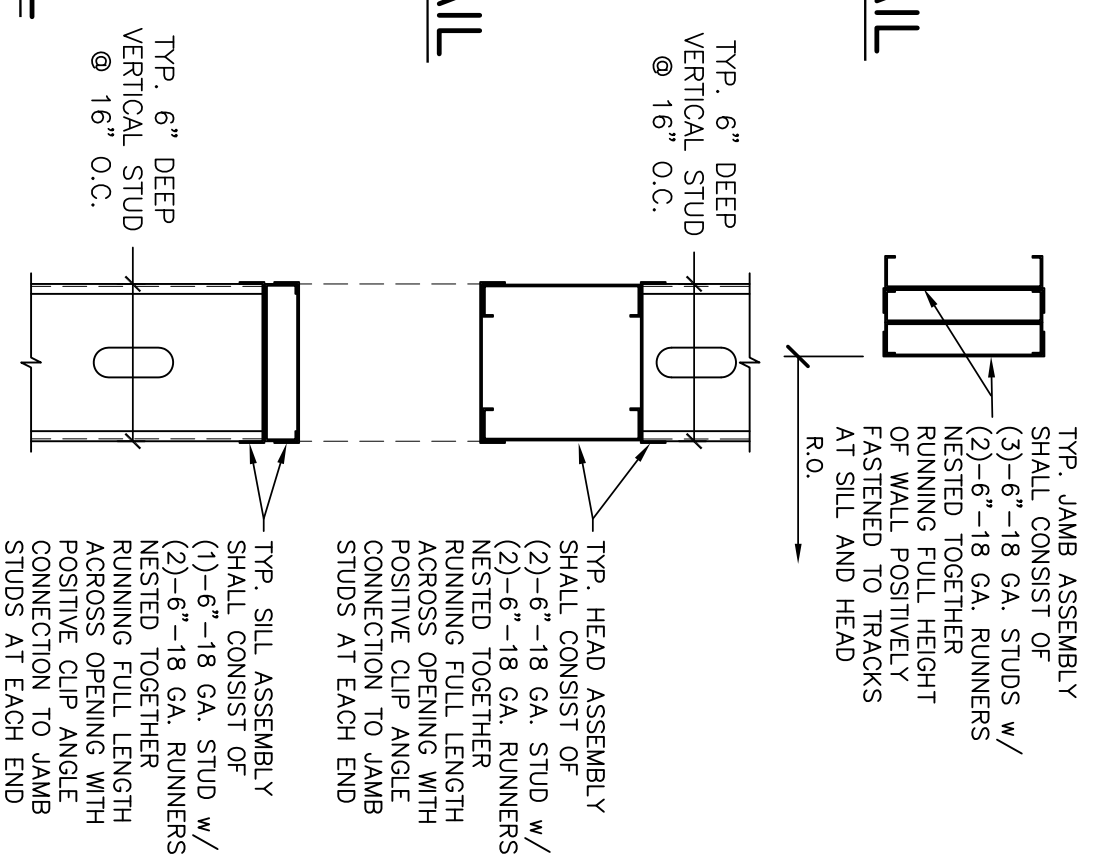


JAMB DETAIL

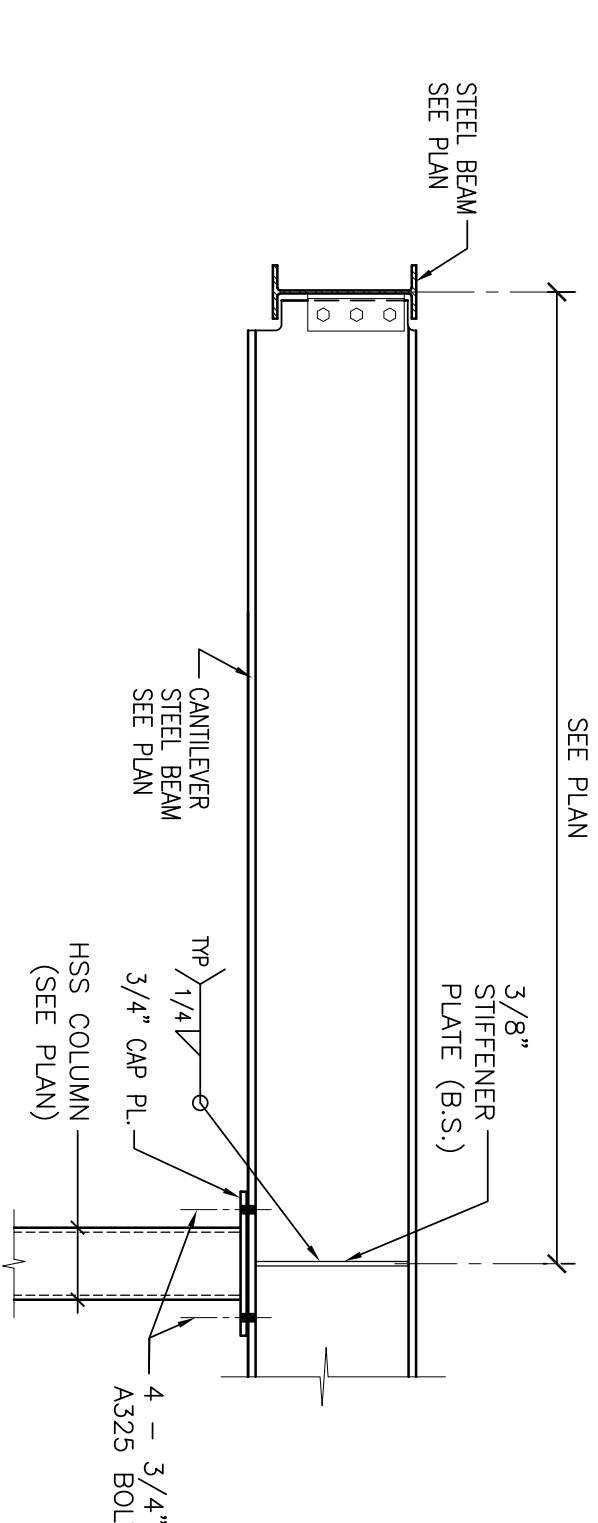


HEAD DETAIL

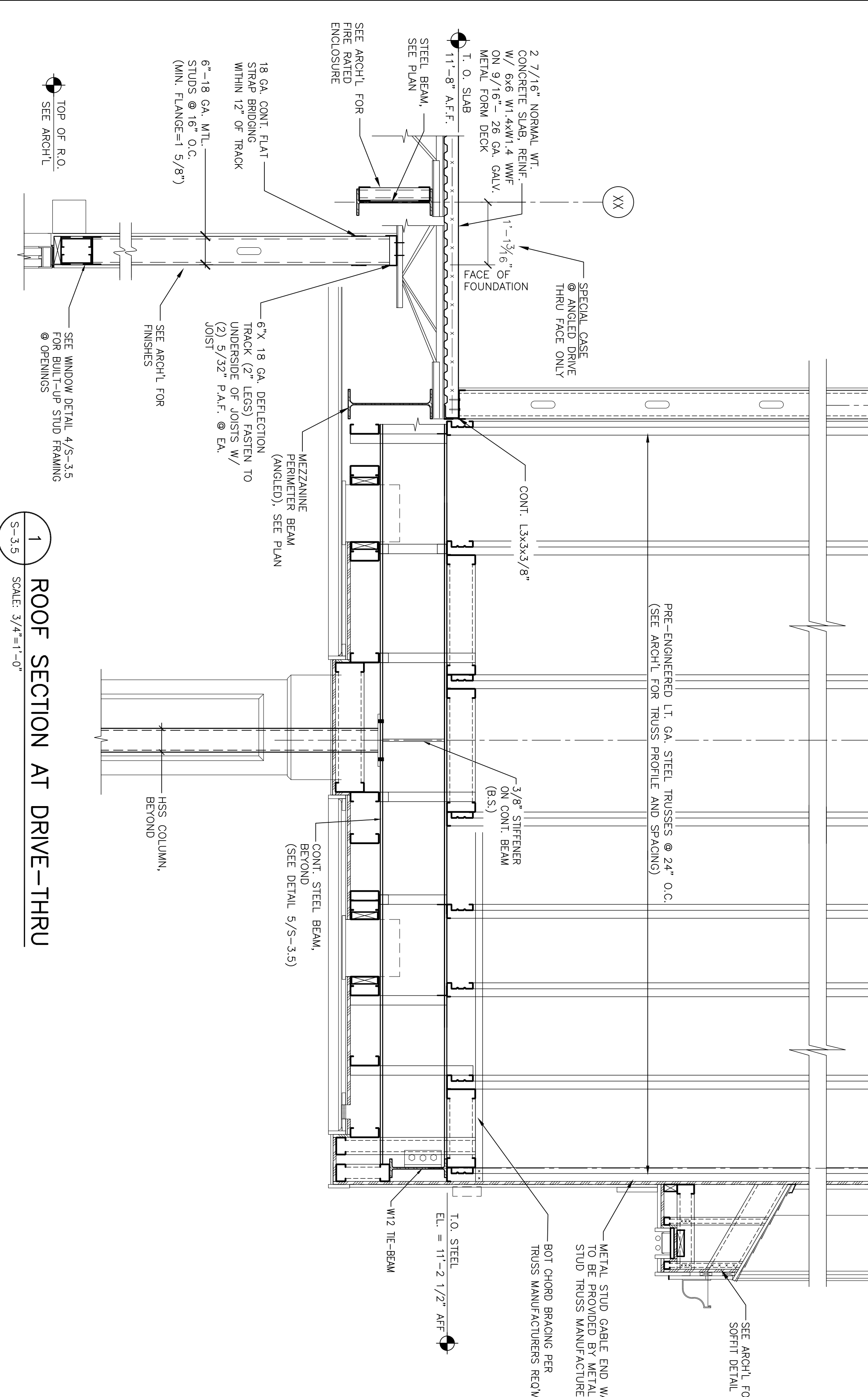
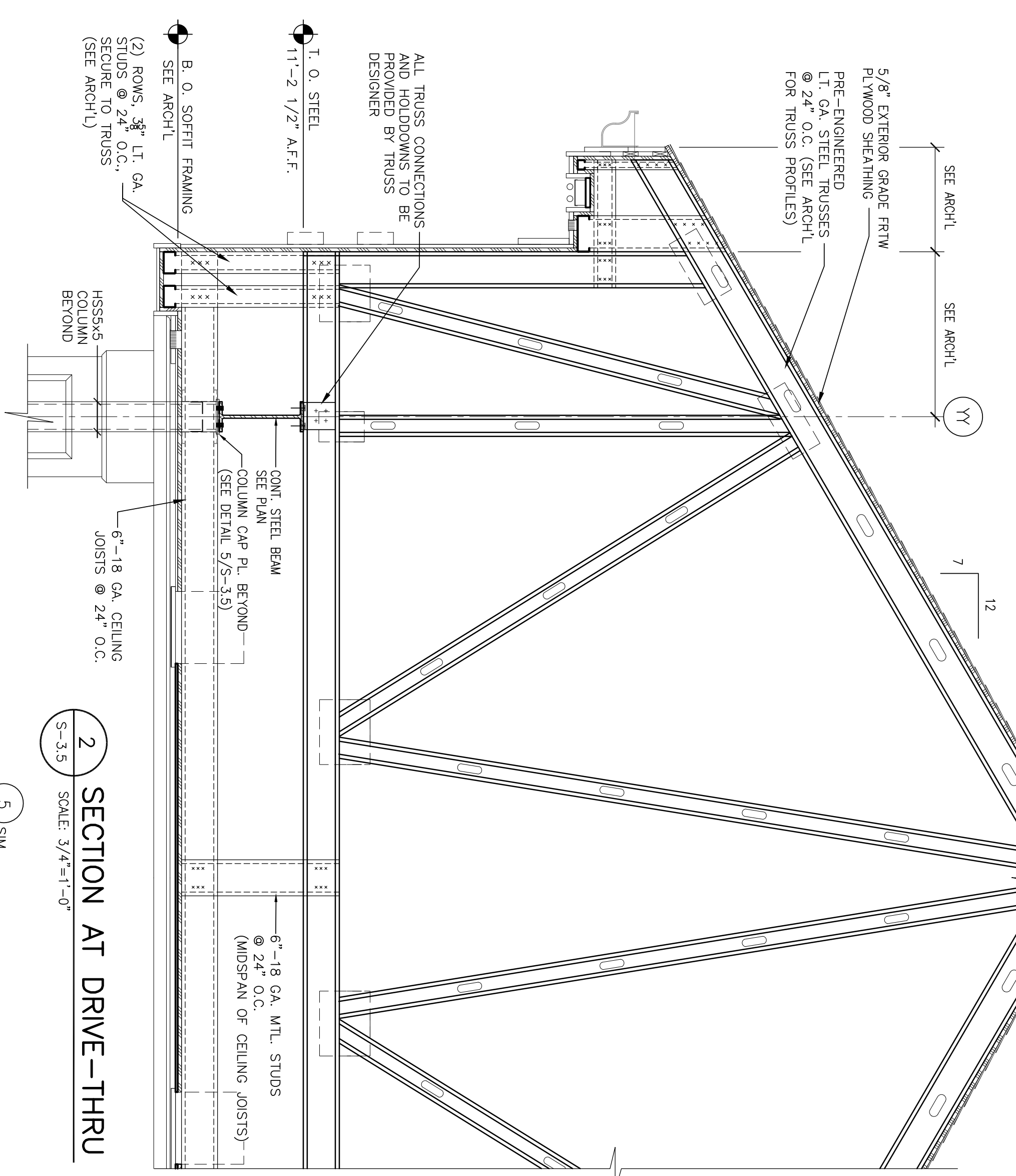
SILL DETAIL

4 WINDOW DETAILS
 SCALE: NONE

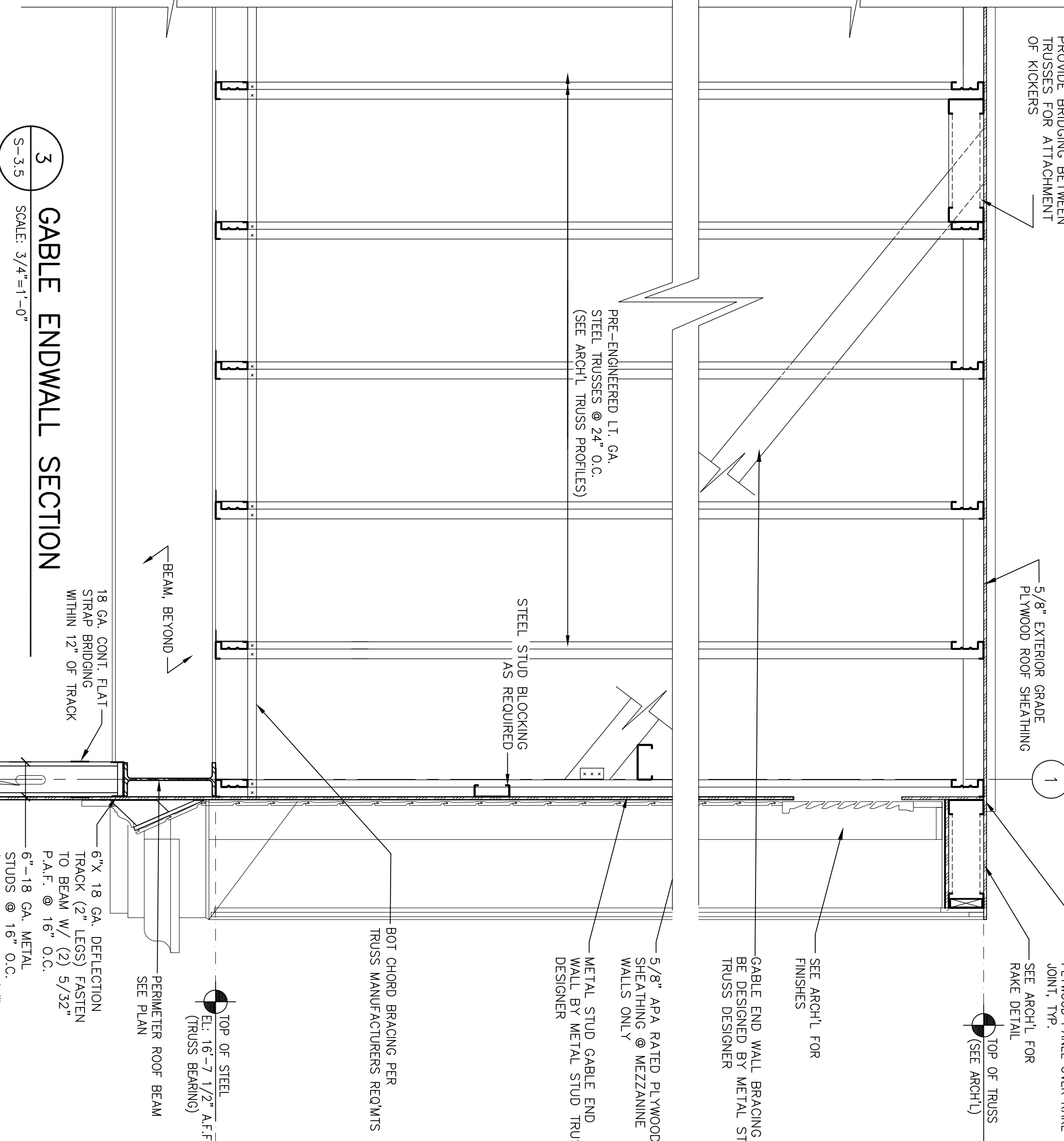
5 BEAM CANTILEVER @ DRIVE-THRU
 SCALE: 3/4"=1'-0"



2 SECTION AT DRIVE-THRU
 SCALE: 3/4"=1'-0"



3 GABLE ENDWALL SECTION
 SCALE: 3/4"=1'-0"



CVS/
pharmacy

NEW

STORE NUMBER: 329

NORTHGATE PLAZA
91 AUBURN STREET
PORTLAND, MAINE

DEVELOPER:

A & D REALTY, LLC
5 MULTIA DRIVE
LEXINGTON, MA 02421

CONSULTANT:

BKA Architects, Inc.
Architecture + Interiors

142 Crescent Street
Brockton, MA 02302

tel : 508.583.5603
fax : 508.584.2914
e-mail : bka@bkaarch.com

SEAL:

CHECKED BY: TG
 ENGINEERED BY: MVC
 DRAWING BY: AG
 DATE: 08/31/2009
 JOB NUMBER: 209017

TITLE:
DRIVE-THRU SECTIONS AND TYPICAL DETAILS

SHEET NUMBER:
S-3.5

COMMENTS:
 ISSUED FOR CONSTRUCTION