

STRUCTURAL NOTES

FOUNDATION NOTES:

1. ALL SOIL CONTAINING ORGANIC OR UNSUITABLE BEARING MATERIAL SHALL BE CLEARED FROM THE BUILDING FOOTPRINT.
2. ALL SOIL SUPPORTED FOOTINGS SHALL BE FOUNDED UPON COMPACTED NATURAL SUBGRADE OR COMPACTED BANK RUN GRAVEL FILL WITH A SAFE BEARING CAPACITY OF NOT LESS THAN 2500 PSF. COORDINATE SITE SPECIFIC SUBGRADE PREPARATION REQUIREMENTS WITH GEOTECHNICAL REPORT.
3. ROCK SHALL BE EXCAVATED A MINIMUM OF 4" BELOW BOTTOM OF FOOTING ELEVATION AND COVERED WITH A LAYER OF COMPACTED GRAVEL.
4. A MODIFIED PROCTOR TEST SHALL BE PERFORMED BY A SOILS TESTING LAB ON EACH TYPE OF SOIL TO BE COMPACTED.
5. SOIL SHALL BE COMPACTED TO NOT LESS THAN 92% OF MAXIMUM DRY DENSITY PER ASTM D1557 IN LIFTS NOT TO EXCEED 6" LOOSE DEPTH. FIELD DENSITY TESTS SHALL BE PERFORMED BY AN INDEPENDENT SOILS TESTING LAB TO VERIFY COMPACTON. A COPY OF ALL TEST REPORTS SHALL BE FILED WITH THE ARCHITECT.
6. BACKFILL SYMMETRICALLY AGAINST ALL FOUNDATION WALLS IN INCREMENTS NOT TO EXCEED 2 FEET MAXIMUM DIFFERENTIAL.
7. SEE PLUMBING AND ELECTRICAL DRAWINGS FOR UNDER FLOOR SYSTEMS AND SPECIAL GRANULAR FILL MATERIAL REQUIREMENTS.
8. NO FOOTINGS OR SLABS SHALL BE POURED INTO OR AGAINST SUBGRADE CONTAINING FREE WATER OR ICE.
9. ALL SLABS-ON-GRADE SHALL BE PLACED ON A 10 MIL VAPOR BARRIER OVER A MIN. 6" COMPACTED FINE GRANULAR FILL LAYER. COORDINATE ADDITIONAL SUBGRADE PREPARATION REQUIREMENTS WITH GEOTECHNICAL REPORT.

CONCRETE NOTES:

1. ALL CONCRETE WALLS AND CONCRETE EXPOSED TO THE WEATHER SHALL CONTAIN AN APPROVED AIR ENTRAINING ADMIXTURE AND SHALL HAVE A COMPRESSIVE STRENGTH OF NOT LESS THAN 4000 PSI. AIR CONTENT SHALL BE 4 1/2% TO 7%.
2. ALL OTHER CONCRETE SHALL HAVE A COMPRESSIVE STRENGTH OF NOT LESS THAN 3000 PSI AT 28 DAYS AND CONTAIN NO AIR ENTRAINMENT.
3. ALL CONCRETE SHALL CONTAIN AN APPROVED WATER-REDUCING ADMIXTURE.
4. A SET OF FOUR (4) CONCRETE TESTS CYLINDERS SHALL BE TAKEN BY AN INDEPENDENT CONCRETE TESTING LAB ON EA. DAY WHEN CONCRETE PLACEMENT EXCEEDS 2 CUBIC YARDS. ONE SET SHALL BE BROKEN AT 7 DAYS, TWO SETS AT 14 DAYS AND ONE SET AT 28 DAYS. A COPY OF ALL TEST REPORTS SHALL BE FILED WITH THE ARCHITECT.
5. NO CALCIUM CHLORIDE SHALL BE USED IN ANY CONCRETE.
6. A MIX DESIGN (5 COPES) SHALL BE SUBMITTED FOR APPROVAL FOR EACH TYPE OF CONCRETE.
7. REINFORCING BARS SHALL BE ASTM A-615 GRADE 60 UNLESS NOTED OTHERWISE.
8. CHECKED SHOP DRAWINGS (5 SETS) SHOWING REINFORCING DETAILS INCLUDING STEEL SIZES, SPACING AND PLACEMENT, SHALL BE SUBMITTED BY THE CONTRACTOR FOR APPROVAL PRIOR TO FABRICATION.
9. ALL REINFORCING BAR SPICES SHALL CONFORM TO REQUIREMENTS OF ACI 318, BUT IN NO CASE SHALL THEY BE LESS THAN 2'-0"
10. DOWELS SHALL MATCH SIZE AND SPACING OF MAIN REINFORCING.
11. CONSTRUCTION JOINTS IN ALL WALLS SHALL BE NOT FURTHER APART THAN 60 FEET IN ANY DIRECTION. SEE PLAN FOR LOCATION OF SLAB CONSTRUCTION AND/OR SHRINKAGE JOINTS.
12. ALL WELDED WIRE FABRIC SHALL CONFORM TO ASTM A-185, Fy=60 KSI.
13. ALL WELDED WIRE FABRIC SHALL BE LAPPED TWO (2) FULL MESH PANELS AT SIZES AND ENDS AND BE SECURELY WIRED TOGETHER.
14. SEE ARCHITECTURAL DRAWINGS FOR TYPE AND LOCATION OF ALL FLOOR FINISHES, FLOOR DEPRESSIONS AND CUT OUTS.
15. COORDINATE ALL FOUNDATION PENETRATIONS WITH ARCHITECT, PLUMBING, MECHANICAL, ELECTRICAL CONTRACTORS AND LOCAL AGENCIES.

FOUNDATION PLAN NOTES

- TOP OF RETAIL 1ST FLOOR CALLED ELEV. 0'-0"
 - [x-x'] INDICATES TOP OF WALL ELEV.
 - [-x'-x'] INDICATES BOTTOM OF FOOTING ELEV. (MIN. 4'-0" BELOW GRADE)
 - [-x'-x'-x'] PROVIDE FOOTING STEPS AS NOTED
 - [F#] INDICATES FOOTING MARK. SEE SCHEDULE.
- REFER TO ARCHITECTURAL DRAWINGS FOR DIMENSIONS OF ALL OPENINGS AND LOCATION OF INTERIOR WALLS NOT SHOWN ON THIS DRAWING.

DESIGN LOADS : BUILDING IS DESIGNED USING THE MAINE STATE BUILDING CODE (PORTLAND, ME)

SLAB LOADS: RETAIL AREAS (FIRST FLOOR) : 100 PSF

MIN. CONCENTRATED LOAD : 2000 LB

FROST DEPTH : 4'-0"

PRESUMED SOIL BEARING CAPACITY : 2500 PSF

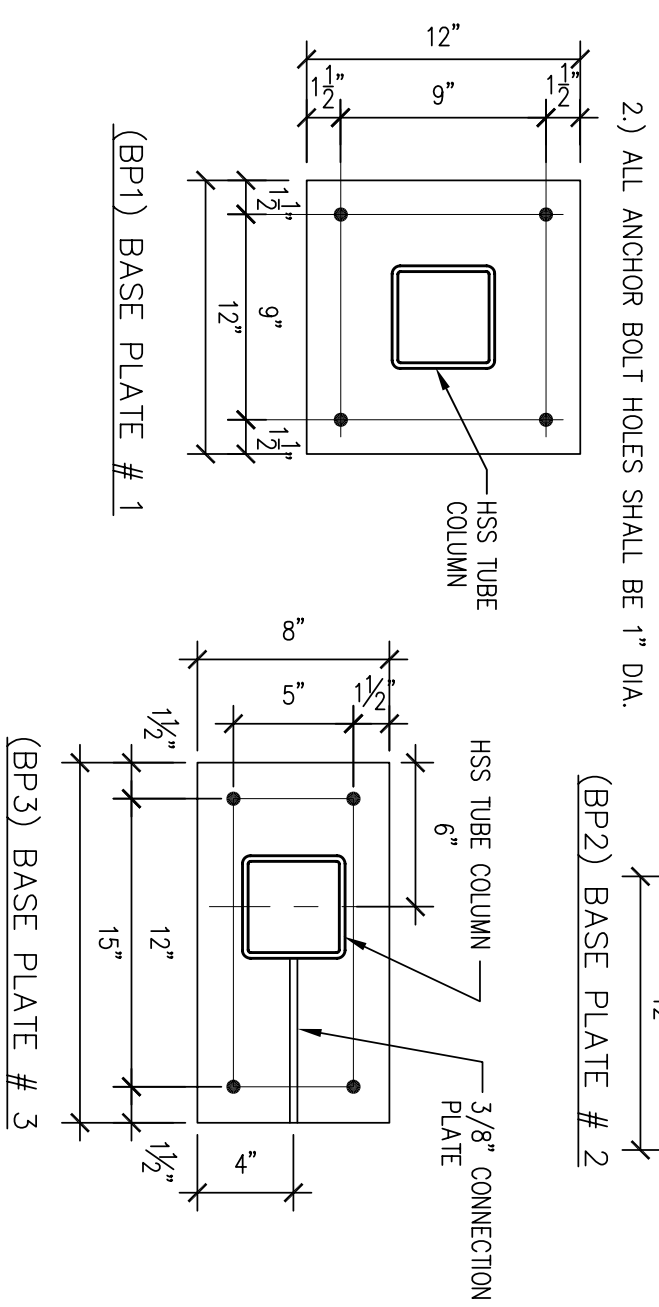
FOUNDATION PLAN NOTES

FOOTING SCHEDULE

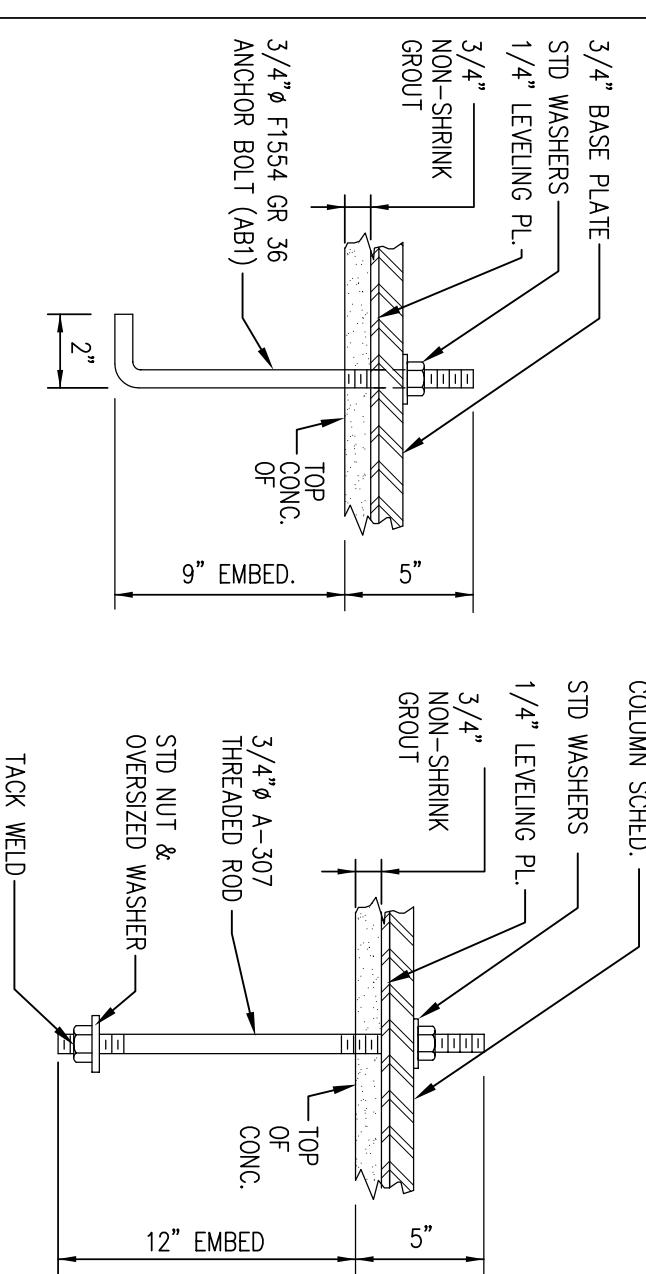
MARK	SIZE	DEPTH	REINFORCING
F3	3'-0" x 3'-0"	1'-0"	4 # 5 EA. WAY
F4	4'-0" x 4'-0"	1'-0"	5 # 5 EA. WAY

NOTE: 1) ALL BASE PLATES SHALL BE 3/4" THK. (WELDED TO COLUMN TYP.)

2) ALL ANCHOR BOLT HOLES SHALL BE 1" DIA.

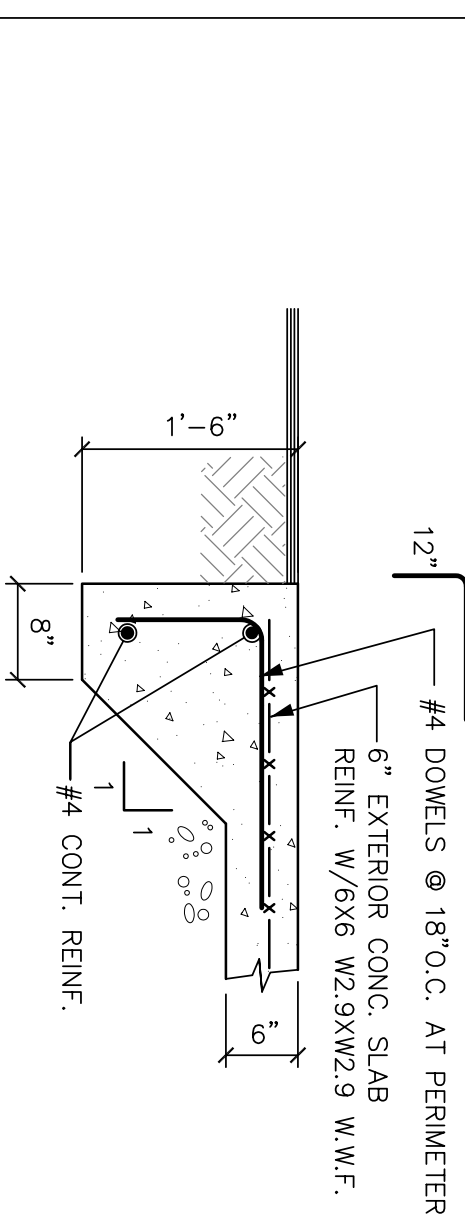


BASE PLATE AND FOOTING SCHEDULE

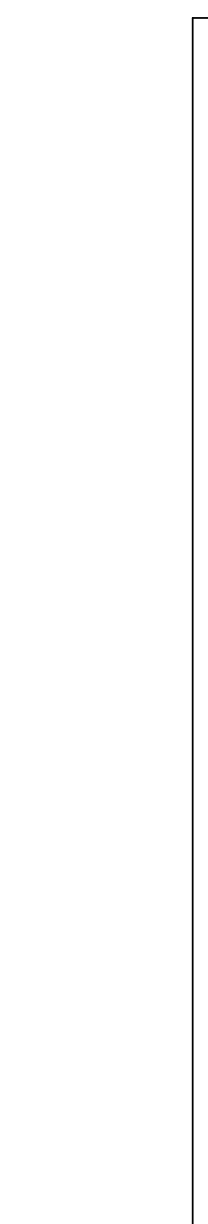


NOTE: 1. ALL ANCHOR BOLTS AND THREADED RODS SHALL CONFORM TO THE REQUIREMENTS OF ASTM F1554.

ANCHOR BOLT DETAILS



EXTERIOR SLAB DETAIL



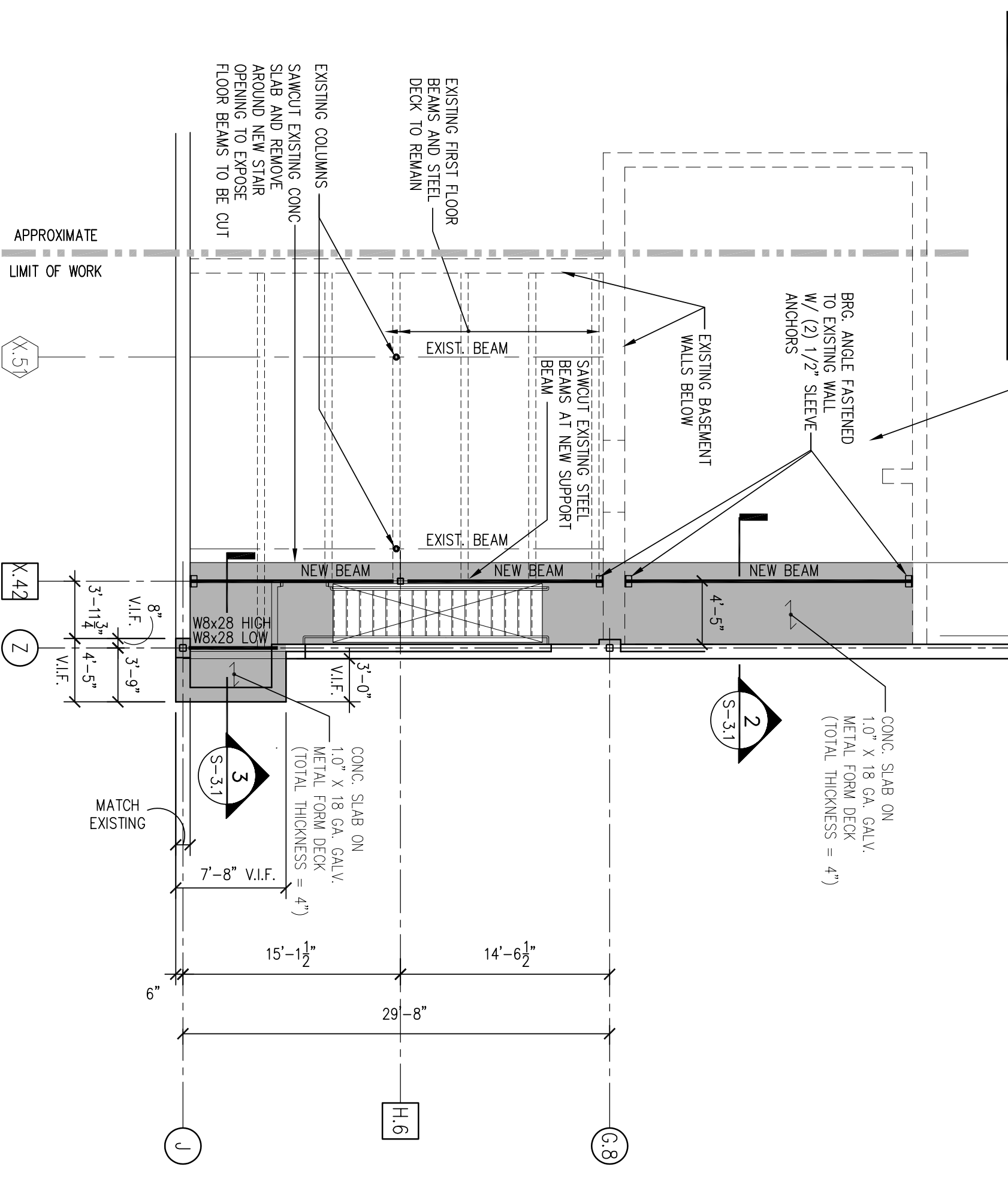
FOUNDATION NOTES:

1. ALL SOIL CONTAINING ORGANIC OR UNSUITABLE BEARING MATERIAL SHALL BE CLEARED FROM THE BUILDING FOOTPRINT.
2. ALL SOIL SUPPORTED FOOTINGS SHALL BE FOUNDED UPON COMPACTED NATURAL SUBGRADE OR COMPACTED BANK RUN GRAVEL FILL WITH A SAFE BEARING CAPACITY OF NOT LESS THAN 2500 PSF. COORDINATE SITE SPECIFIC SUBGRADE PREPARATION REQUIREMENTS WITH GEOTECHNICAL REPORT.
3. ROCK SHALL BE EXCAVATED A MINIMUM OF 4" BELOW BOTTOM OF FOOTING ELEVATION AND COVERED WITH A LAYER OF COMPACTED GRAVEL.
4. A MODIFIED PROCTOR TEST SHALL BE PERFORMED BY A SOILS TESTING LAB ON EACH TYPE OF SOIL TO BE COMPACTED.
5. SOIL SHALL BE COMPACTED TO NOT LESS THAN 92% OF MAXIMUM DRY DENSITY PER ASTM D1557 IN LIFTS NOT TO EXCEED 6" LOOSE DEPTH. FIELD DENSITY TESTS SHALL BE PERFORMED BY AN INDEPENDENT SOILS TESTING LAB TO VERIFY COMPACTON. A COPY OF ALL TEST REPORTS SHALL BE FILED WITH THE ARCHITECT.
6. BACKFILL SYMMETRICALLY AGAINST ALL FOUNDATION WALLS IN INCREMENTS NOT TO EXCEED 2 FEET MAXIMUM DIFFERENTIAL.
7. SEE PLUMBING AND ELECTRICAL DRAWINGS FOR UNDER FLOOR SYSTEMS AND SPECIAL GRANULAR FILL MATERIAL REQUIREMENTS.
8. NO FOOTINGS OR SLABS SHALL BE POURED INTO OR AGAINST SUBGRADE CONTAINING FREE WATER OR ICE.
9. ALL SLABS-ON-GRADE SHALL BE PLACED ON A 10 MIL VAPOR BARRIER OVER A MIN. 6" COMPACTED FINE GRANULAR FILL LAYER. COORDINATE ADDITIONAL SUBGRADE PREPARATION REQUIREMENTS WITH GEOTECHNICAL REPORT.

CONCRETE NOTES:

1. ALL CONCRETE WALLS AND CONCRETE EXPOSED TO THE WEATHER SHALL CONTAIN AN APPROVED AIR ENTRAINING ADMIXTURE AND SHALL HAVE A COMPRESSIVE STRENGTH OF NOT LESS THAN 4000 PSI. AIR CONTENT SHALL BE 4 1/2% TO 7%.
2. ALL OTHER CONCRETE SHALL HAVE A COMPRESSIVE STRENGTH OF NOT LESS THAN 3000 PSI AT 28 DAYS AND CONTAIN NO AIR ENTRAINMENT.
3. ALL CONCRETE SHALL CONTAIN AN APPROVED WATER-REDUCING ADMIXTURE.
4. A SET OF FOUR (4) CONCRETE TESTS CYLINDERS SHALL BE TAKEN BY AN INDEPENDENT CONCRETE TESTING LAB ON EA. DAY WHEN CONCRETE PLACEMENT EXCEEDS 2 CUBIC YARDS. ONE SET SHALL BE BROKEN AT 7 DAYS, TWO SETS AT 14 DAYS AND ONE SET AT 28 DAYS. A COPY OF ALL TEST REPORTS SHALL BE FILED WITH THE ARCHITECT.
5. NO CALCIUM CHLORIDE SHALL BE USED IN ANY CONCRETE.
6. A MIX DESIGN (5 COPES) SHALL BE SUBMITTED FOR APPROVAL FOR EACH TYPE OF CONCRETE.
7. REINFORCING BARS SHALL BE ASTM A-615 GRADE 60 UNLESS NOTED OTHERWISE.
8. CHECKED SHOP DRAWINGS (5 SETS) SHOWING REINFORCING DETAILS INCLUDING STEEL SIZES, SPACING AND PLACEMENT, SHALL BE SUBMITTED BY THE CONTRACTOR FOR APPROVAL PRIOR TO FABRICATION.
9. ALL REINFORCING BAR SPICES SHALL CONFORM TO REQUIREMENTS OF ACI 318, BUT IN NO CASE SHALL THEY BE LESS THAN 2'-0"
10. DOWELS SHALL MATCH SIZE AND SPACING OF MAIN REINFORCING.
11. CONSTRUCTION JOINTS IN ALL WALLS SHALL BE NOT FURTHER APART THAN 60 FEET IN ANY DIRECTION. SEE PLAN FOR LOCATION OF SLAB CONSTRUCTION AND/OR SHRINKAGE JOINTS.
12. ALL WELDED WIRE FABRIC SHALL CONFORM TO ASTM A-185, Fy=60 KSI.
13. ALL WELDED WIRE FABRIC SHALL BE LAPPED TWO (2) FULL MESH PANELS AT SIZES AND ENDS AND BE SECURELY WIRED TOGETHER.
14. SEE ARCHITECTURAL DRAWINGS FOR TYPE AND LOCATION OF ALL FLOOR FINISHES, FLOOR DEPRESSIONS AND CUT OUTS.
15. COORDINATE ALL FOUNDATION PENETRATIONS WITH ARCHITECT, PLUMBING, MECHANICAL, ELECTRICAL CONTRACTORS AND LOCAL AGENCIES.

CONTRACTOR TO REMOVE CEILING IN THIS AREA TO EXPOSE FRAMING FOR ENGINEERS INSPECTION BEFORE TO PROCEED WITH FLOOR AFTER INSPECTION.



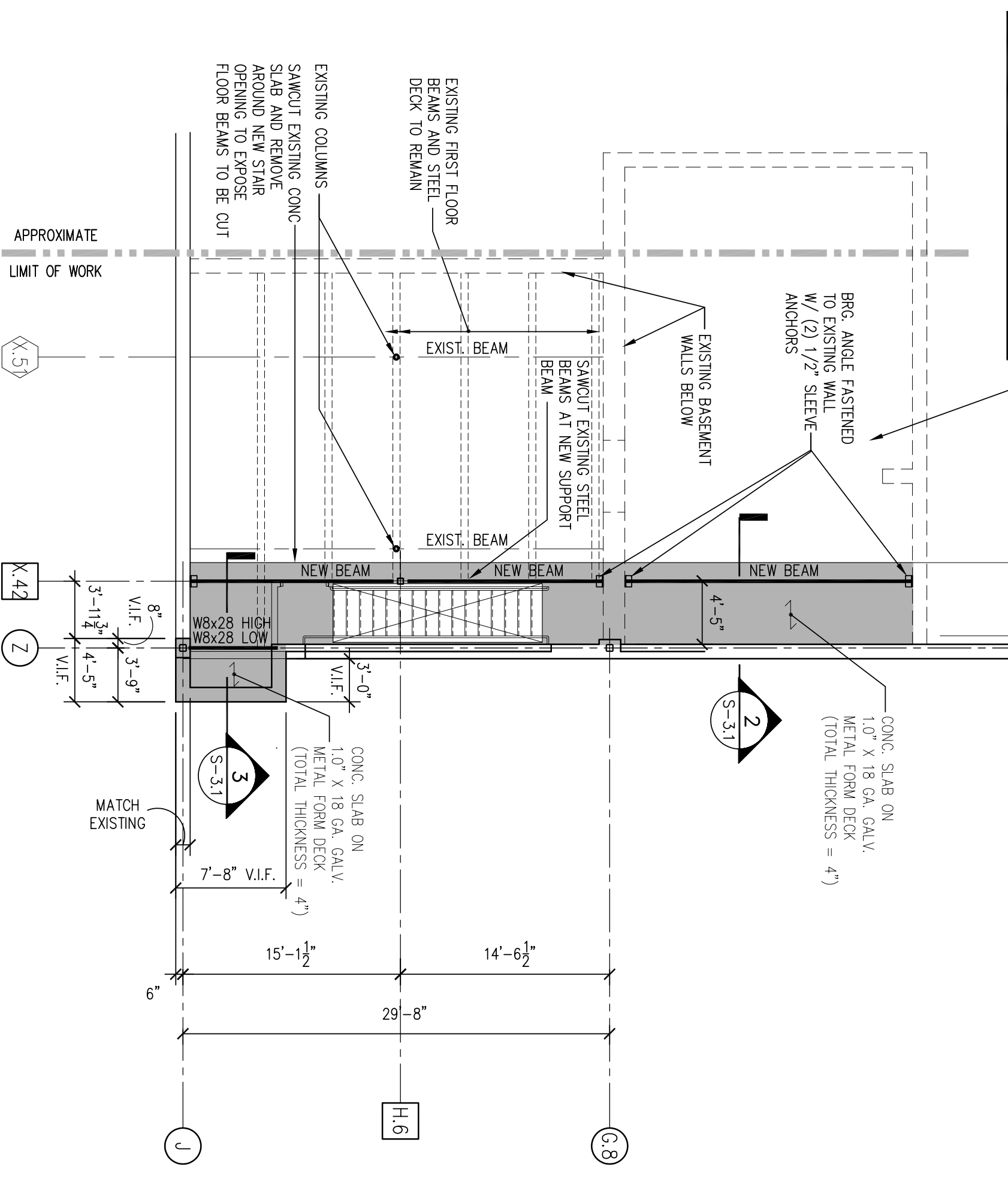
FOUNDATION NOTES:

1. ALL SOIL CONTAINING ORGANIC OR UNSUITABLE BEARING MATERIAL SHALL BE CLEARED FROM THE BUILDING FOOTPRINT.
2. ALL SOIL SUPPORTED FOOTINGS SHALL BE FOUNDED UPON COMPACTED NATURAL SUBGRADE OR COMPACTED BANK RUN GRAVEL FILL WITH A SAFE BEARING CAPACITY OF NOT LESS THAN 2500 PSF. COORDINATE SITE SPECIFIC SUBGRADE PREPARATION REQUIREMENTS WITH GEOTECHNICAL REPORT.
3. ROCK SHALL BE EXCAVATED A MINIMUM OF 4" BELOW BOTTOM OF FOOTING ELEVATION AND COVERED WITH A LAYER OF COMPACTED GRAVEL.
4. A MODIFIED PROCTOR TEST SHALL BE PERFORMED BY A SOILS TESTING LAB ON EACH TYPE OF SOIL TO BE COMPACTED.
5. SOIL SHALL BE COMPACTED TO NOT LESS THAN 92% OF MAXIMUM DRY DENSITY PER ASTM D1557 IN LIFTS NOT TO EXCEED 6" LOOSE DEPTH. FIELD DENSITY TESTS SHALL BE PERFORMED BY AN INDEPENDENT SOILS TESTING LAB TO VERIFY COMPACTON. A COPY OF ALL TEST REPORTS SHALL BE FILED WITH THE ARCHITECT.
6. BACKFILL SYMMETRICALLY AGAINST ALL FOUNDATION WALLS IN INCREMENTS NOT TO EXCEED 2 FEET MAXIMUM DIFFERENTIAL.
7. SEE PLUMBING AND ELECTRICAL DRAWINGS FOR UNDER FLOOR SYSTEMS AND SPECIAL GRANULAR FILL MATERIAL REQUIREMENTS.
8. NO FOOTINGS OR SLABS SHALL BE POURED INTO OR AGAINST SUBGRADE CONTAINING FREE WATER OR ICE.
9. ALL SLABS-ON-GRADE SHALL BE PLACED ON A 10 MIL VAPOR BARRIER OVER A MIN. 6" COMPACTED FINE GRANULAR FILL LAYER. COORDINATE ADDITIONAL SUBGRADE PREPARATION REQUIREMENTS WITH GEOTECHNICAL REPORT.

CONCRETE NOTES:

1. ALL CONCRETE WALLS AND CONCRETE EXPOSED TO THE WEATHER SHALL CONTAIN AN APPROVED AIR ENTRAINING ADMIXTURE AND SHALL HAVE A COMPRESSIVE STRENGTH OF NOT LESS THAN 4000 PSI. AIR CONTENT SHALL BE 4 1/2% TO 7%.
2. ALL OTHER CONCRETE SHALL HAVE A COMPRESSIVE STRENGTH OF NOT LESS THAN 3000 PSI AT 28 DAYS AND CONTAIN NO AIR ENTRAINMENT.
3. ALL CONCRETE SHALL CONTAIN AN APPROVED WATER-REDUCING ADMIXTURE.
4. A SET OF FOUR (4) CONCRETE TESTS CYLINDERS SHALL BE TAKEN BY AN INDEPENDENT CONCRETE TESTING LAB ON EA. DAY WHEN CONCRETE PLACEMENT EXCEEDS 2 CUBIC YARDS. ONE SET SHALL BE BROKEN AT 7 DAYS, TWO SETS AT 14 DAYS AND ONE SET AT 28 DAYS. A COPY OF ALL TEST REPORTS SHALL BE FILED WITH THE ARCHITECT.
5. NO CALCIUM CHLORIDE SHALL BE USED IN ANY CONCRETE.
6. A MIX DESIGN (5 COPES) SHALL BE SUBMITTED FOR APPROVAL FOR EACH TYPE OF CONCRETE.
7. REINFORCING BARS SHALL BE ASTM A-615 GRADE 60 UNLESS NOTED OTHERWISE.
8. CHECKED SHOP DRAWINGS (5 SETS) SHOWING REINFORCING DETAILS INCLUDING STEEL SIZES, SPACING AND PLACEMENT, SHALL BE SUBMITTED BY THE CONTRACTOR FOR APPROVAL PRIOR TO FABRICATION.
9. ALL REINFORCING BAR SPICES SHALL CONFORM TO REQUIREMENTS OF ACI 318, BUT IN NO CASE SHALL THEY BE LESS THAN 2'-0"
10. DOWELS SHALL MATCH SIZE AND SPACING OF MAIN REINFORCING.
11. CONSTRUCTION JOINTS IN ALL WALLS SHALL BE NOT FURTHER APART THAN 60 FEET IN ANY DIRECTION. SEE PLAN FOR LOCATION OF SLAB CONSTRUCTION AND/OR SHRINKAGE JOINTS.
12. ALL WELDED WIRE FABRIC SHALL CONFORM TO ASTM A-185, Fy=60 KSI.
13. ALL WELDED WIRE FABRIC SHALL BE LAPPED TWO (2) FULL MESH PANELS AT SIZES AND ENDS AND BE SECURELY WIRED TOGETHER.
14. SEE ARCHITECTURAL DRAWINGS FOR TYPE AND LOCATION OF ALL FLOOR FINISHES, FLOOR DEPRESSIONS AND CUT OUTS.
15. COORDINATE ALL FOUNDATION PENETRATIONS WITH ARCHITECT, PLUMBING, MECHANICAL, ELECTRICAL CONTRACTORS AND LOCAL AGENCIES.

CONTRACTOR TO REMOVE CEILING IN THIS AREA TO EXPOSE FRAMING FOR ENGINEERS INSPECTION BEFORE TO PROCEED WITH FLOOR AFTER INSPECTION.



CVS/
pharmacy

DEVELOPER: PORTLAND, ME

CHECKED BY: TG

ENGINEERED BY: DO

DRAWING BY: AG

DATE: 7/17/09

TITLE: FOUNDATION AND PARTIAL FIRST FLOOR FRAMING PLANS

SHEET NUMBER: S-1.1

COMMENTS: PRELIMINARY

CONSULTANT: C.A. PRETZER ASSOCIATES INC. STRUCTURAL ENGINEERS
50 Freeway Drive
Canaan, RI, 02920
TEL: 401-785-2690 FAX: 401-461-9360
DESIGN CONSULTATION, INVESTIGATION

142 Crescent Street
Brockton, MA 02302

tel : 508.583.5603
fax : 508.584.2914
e-mail : bka@bkaarch.com

BKA Architects, Inc.
Architecture + Interiors

Copyright © 2006 by BKA Architects, Inc. The architectural plans, drawings, designs, specifications and other arrangements on this sheet are and shall remain the property of BKA Architects, Inc. No part thereof shall be copied, disclosed to others, or used in connection with any work or project, other than the specified project for which they have been prepared and developed, without the express knowledge and written consent of BKA Architects, Inc.