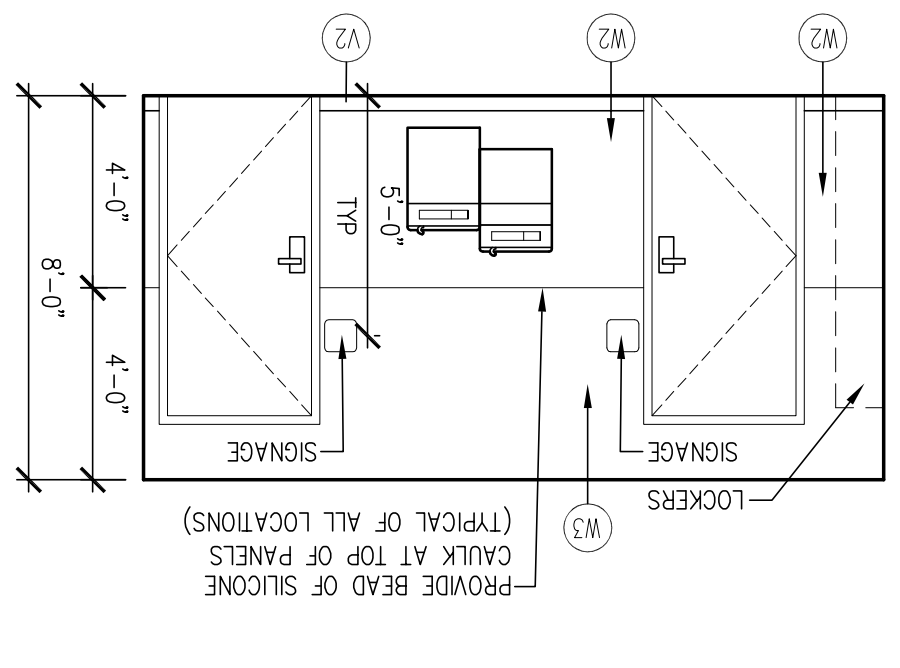
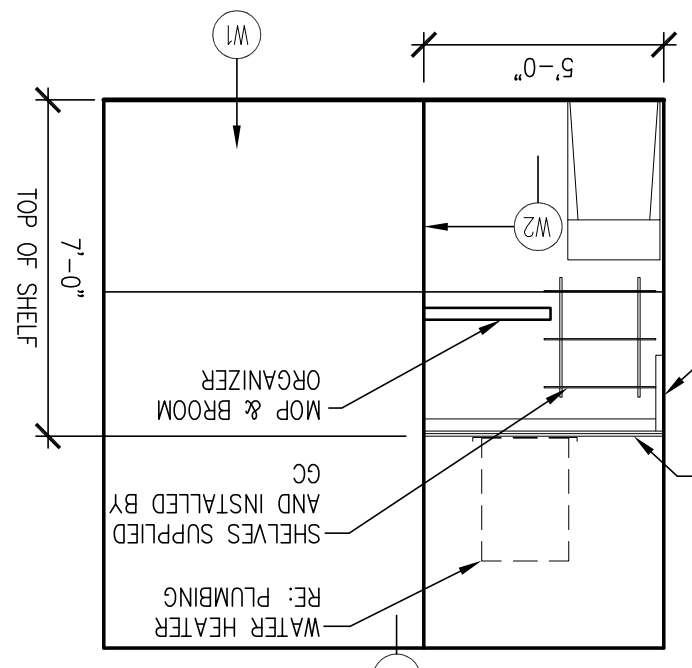


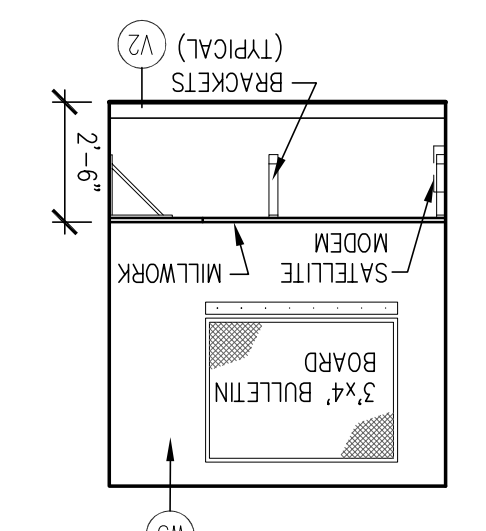
15 HALL ELEVATION
SCALE: 1/4" = 1'-0"



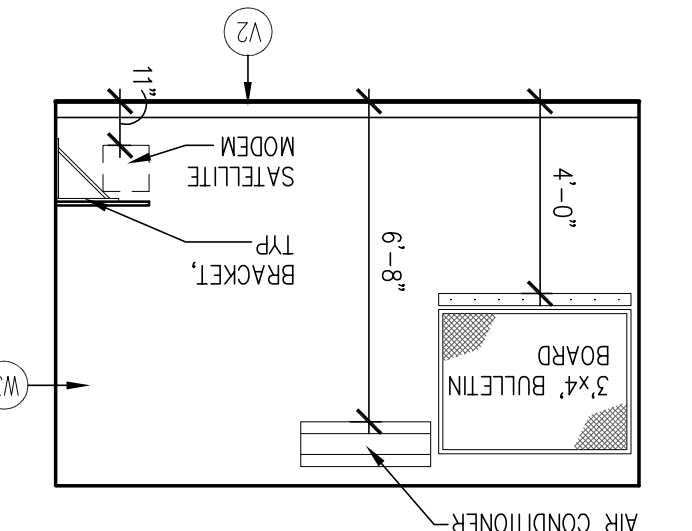
16 UTILITY SINK ELEVATION
SCALE: 1/4" = 1'-0"



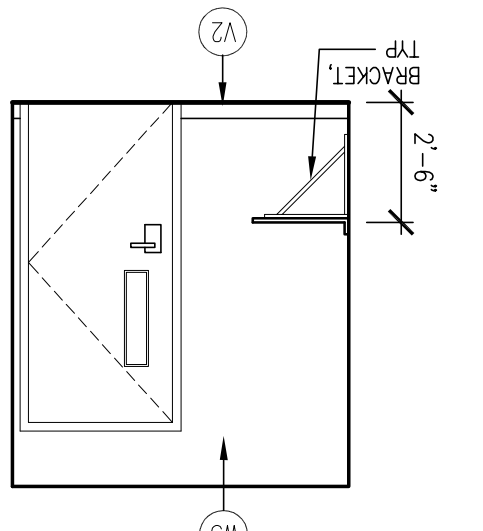
17 MANAGER'S OFFICE ELEVATION
SCALE: 1/4" = 1'-0"



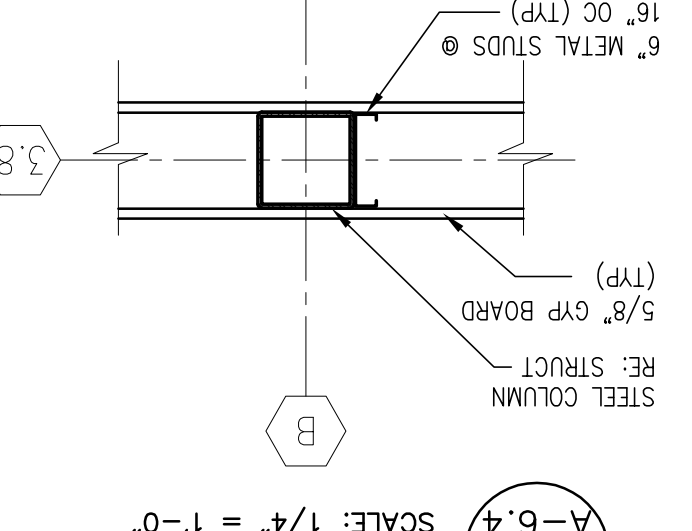
18 MANAGER'S OFFICE ELEVATION
SCALE: 1/4" = 1'-0"



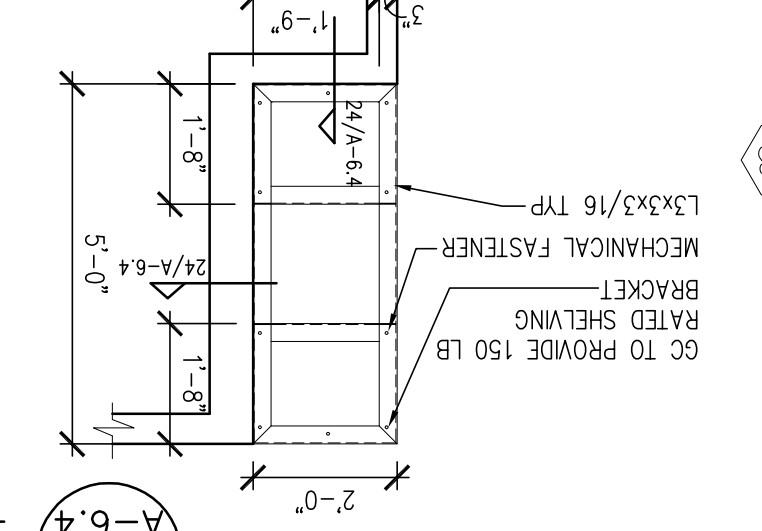
19 OFFICE ELEVATION
SCALE: 1/4" = 1'-0"



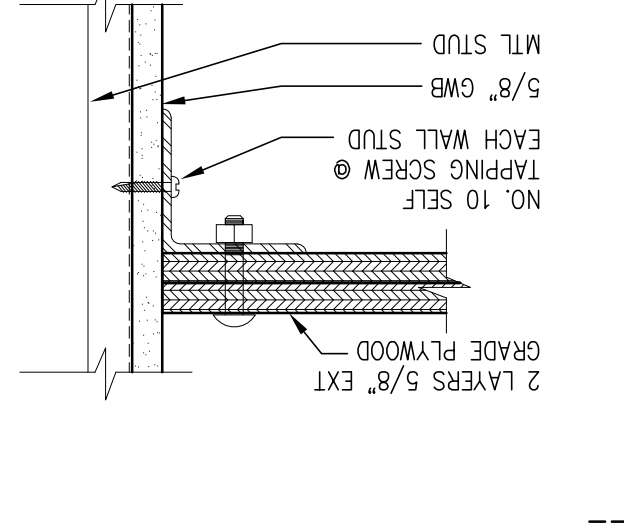
20 MANAGER'S OFFICE ELEVATION
SCALE: 1/4" = 1'-0"



23 SHELF FRAMING
SCALE: 3/8" = 1'-0"



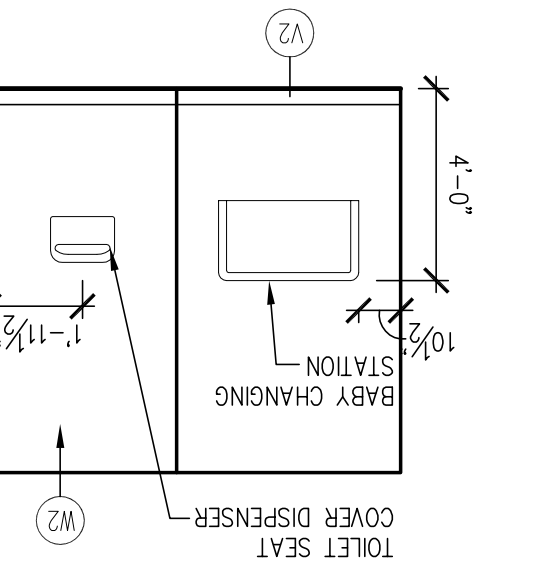
24 DETAIL
SCALE: 3" = 1'-0"



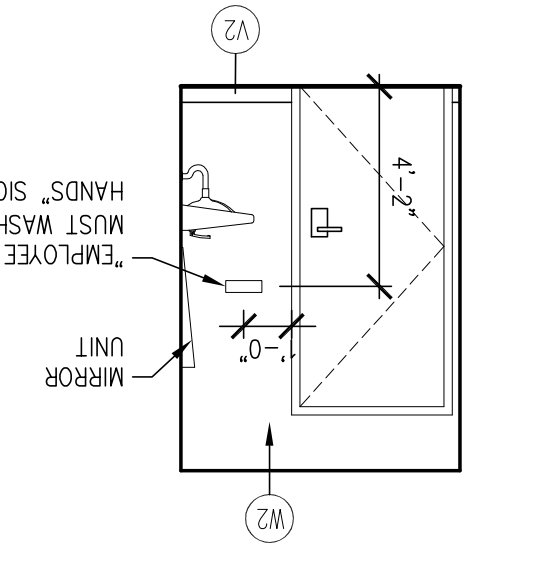
GENERAL NOTES:
1. SEE PLUMBING DRAWINGS FOR FIXTURES
2. INSTALL INSULATION ON ALL EXPOSED PIPES BELOW SINKS AND LAVATORIES TO COMPLY WITH STATE AND LOCAL CODES.
3. SEE 14/A-6.4 FOR MOUNTING HEIGHTS OF ALL TOILET ROOM ACCESSORIES

NOTE:
RE: SHEET A-1.1 FOR PARTITION TYPES

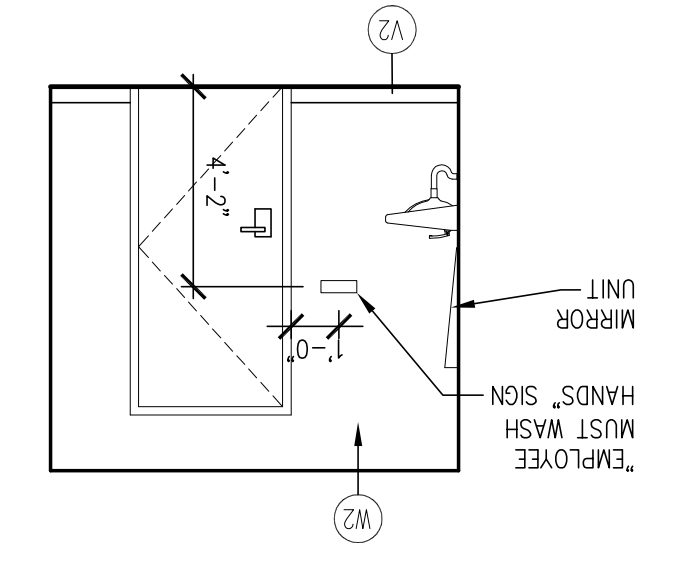
11 TOILET ELEVATION
SCALE: 1/4" = 1'-0"



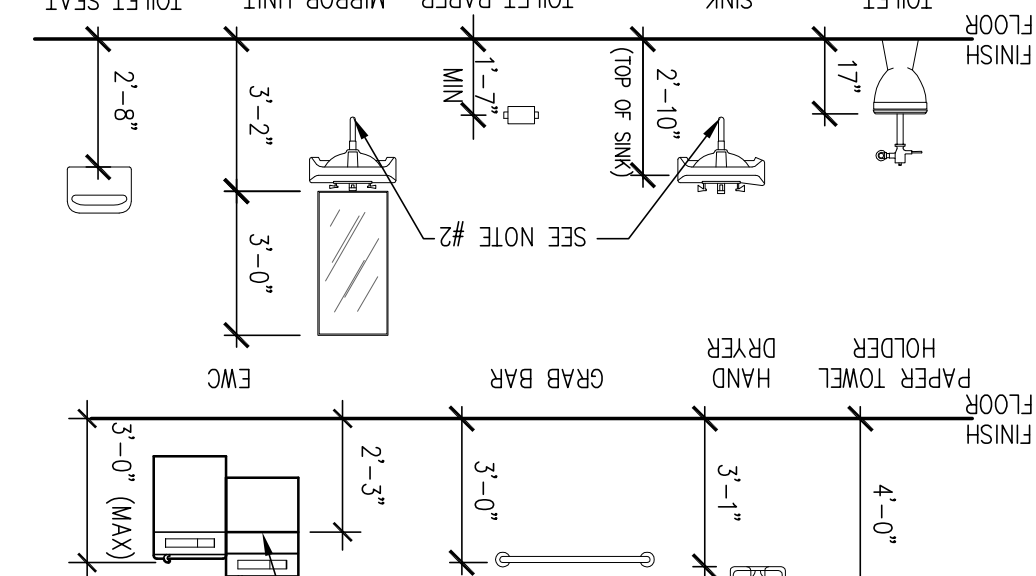
12 TOILET ELEVATION
SCALE: 1/4" = 1'-0"



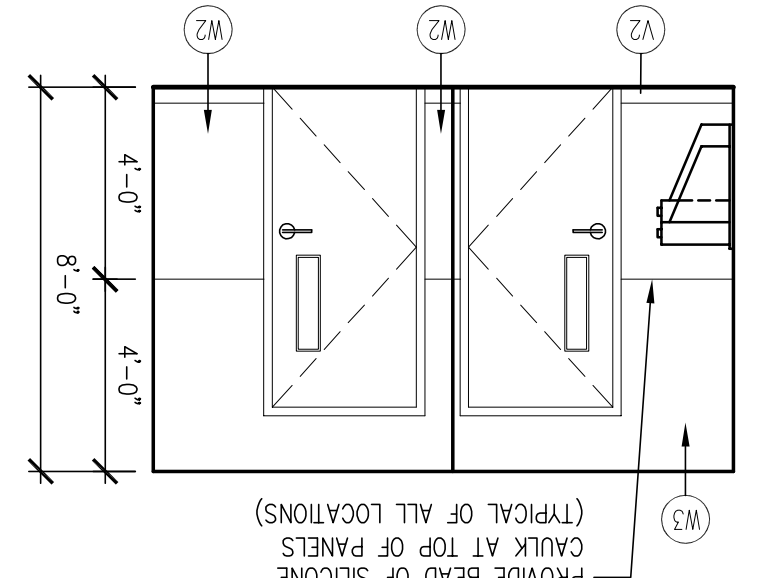
13 TOILET ELEVATION
SCALE: 1/4" = 1'-0"



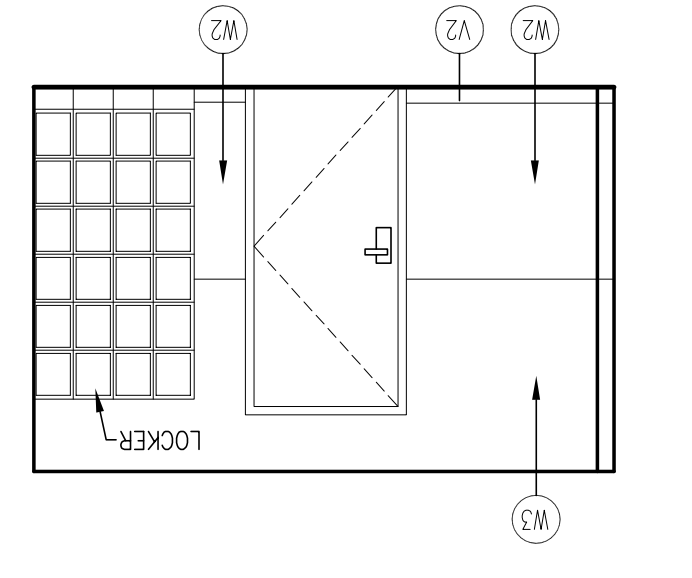
14 ACCESS. MOUNTING HEIGHTS
SCALE: 1/4" = 1'-0"



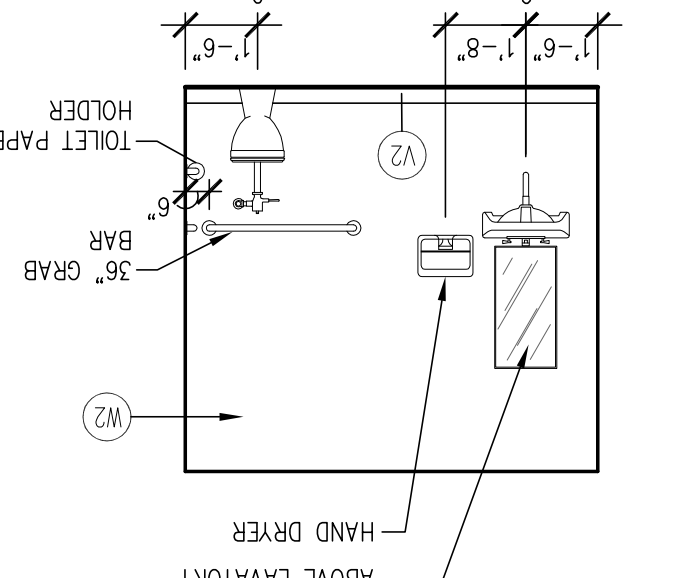
6 HALL ELEVATION
SCALE: 1/4" = 1'-0"



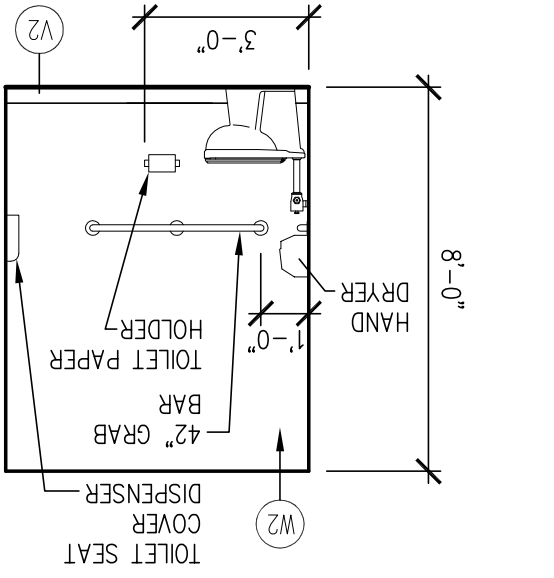
7 HALL ELEVATION
SCALE: 1/4" = 1'-0"



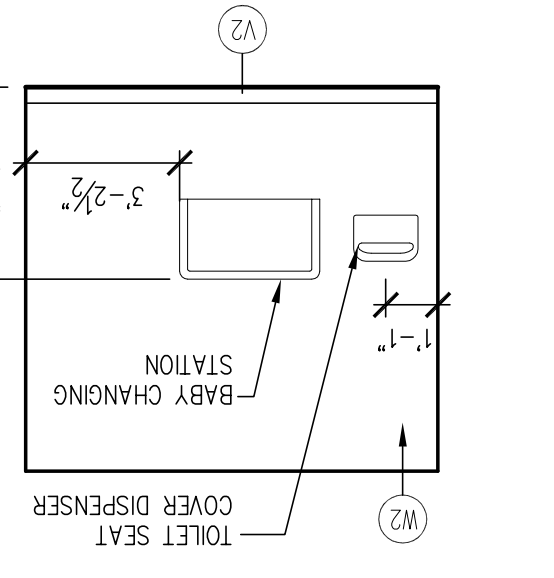
8 TOILET ELEVATION
SCALE: 1/4" = 1'-0"



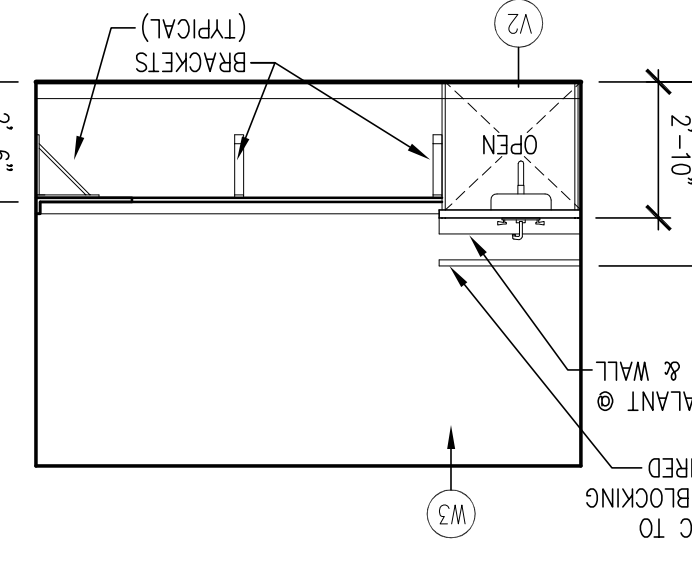
9 TOILET ELEVATION
SCALE: 1/4" = 1'-0"



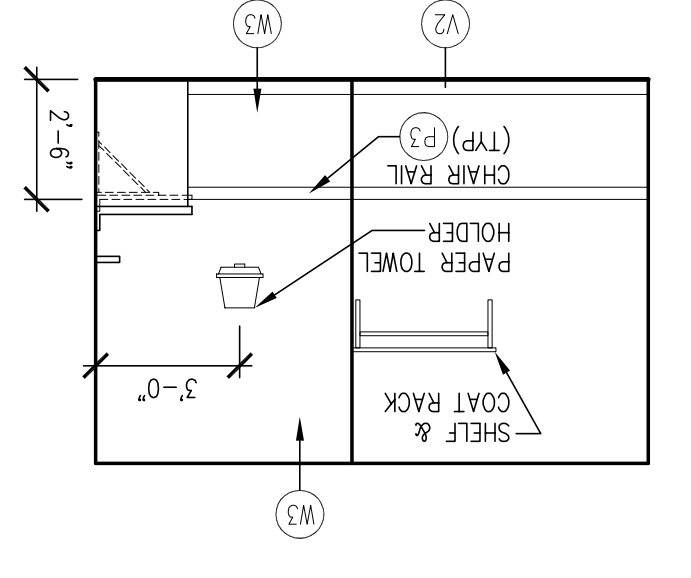
10 TOILET ELEVATION
SCALE: 1/4" = 1'-0"



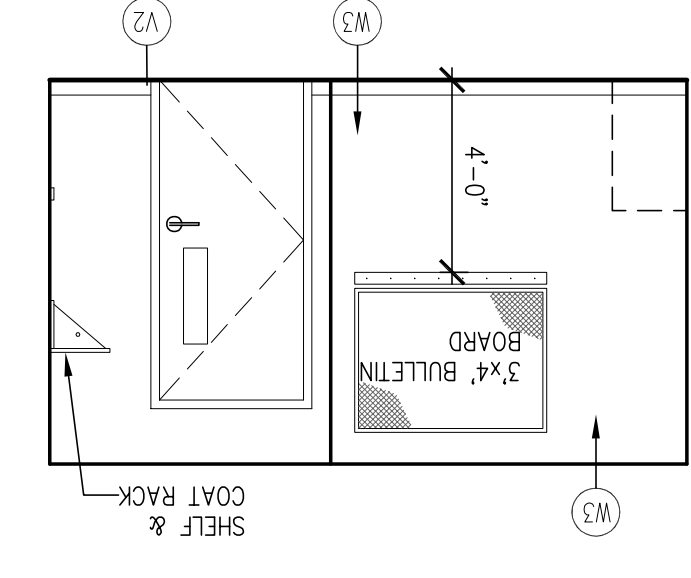
2 EMPLOYEE ELEVATION
SCALE: 1/4" = 1'-0"



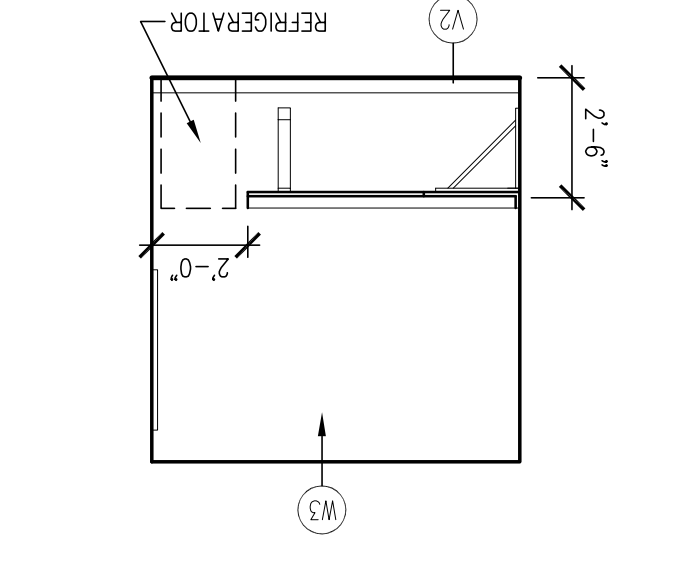
3 EMPLOYEE ELEVATION
SCALE: 1/4" = 1'-0"



4 EMPLOYEE ELEVATION
SCALE: 1/4" = 1'-0"



5 EMPLOYEE ELEVATION
SCALE: 1/4" = 1'-0"



CVS/pharmacy

NEW STORE NUMBER: 329
NORTHATE PLAZA
91 AUBURN STREET
PORTLAND, MAINE

DEVELOPER: A & D REALTY, LLC
5 MILITIA DRIVE
LEXINGTON, MA 02421

DRAWING BY: RTK
DATE: 8/31/09
JOB NUMBER: 209017
ENLARGED PLANS, DETAILS, & ELEVATIONS
SHEET NUMBER: A-6.4

REVISIONS:

CONSULTANT: BKA Architects, Inc. 142 Crescent Street, Brockton, MA 02302
Tel: 508.583.6033
Fax: 508.584.2914
e-mail: bka@bkaarch.com

Copyright © 2009 by BKA Architects, Inc. The architectural plans, drawings, designs, specifications and other information on this sheet are and shall remain the property of BKA Architects, Inc. No part thereof shall be copied, distributed or used in connection with any work or project, other than the specific project for which they have been prepared and developed, without the express knowledge and written consent of BKA Architects, Inc.