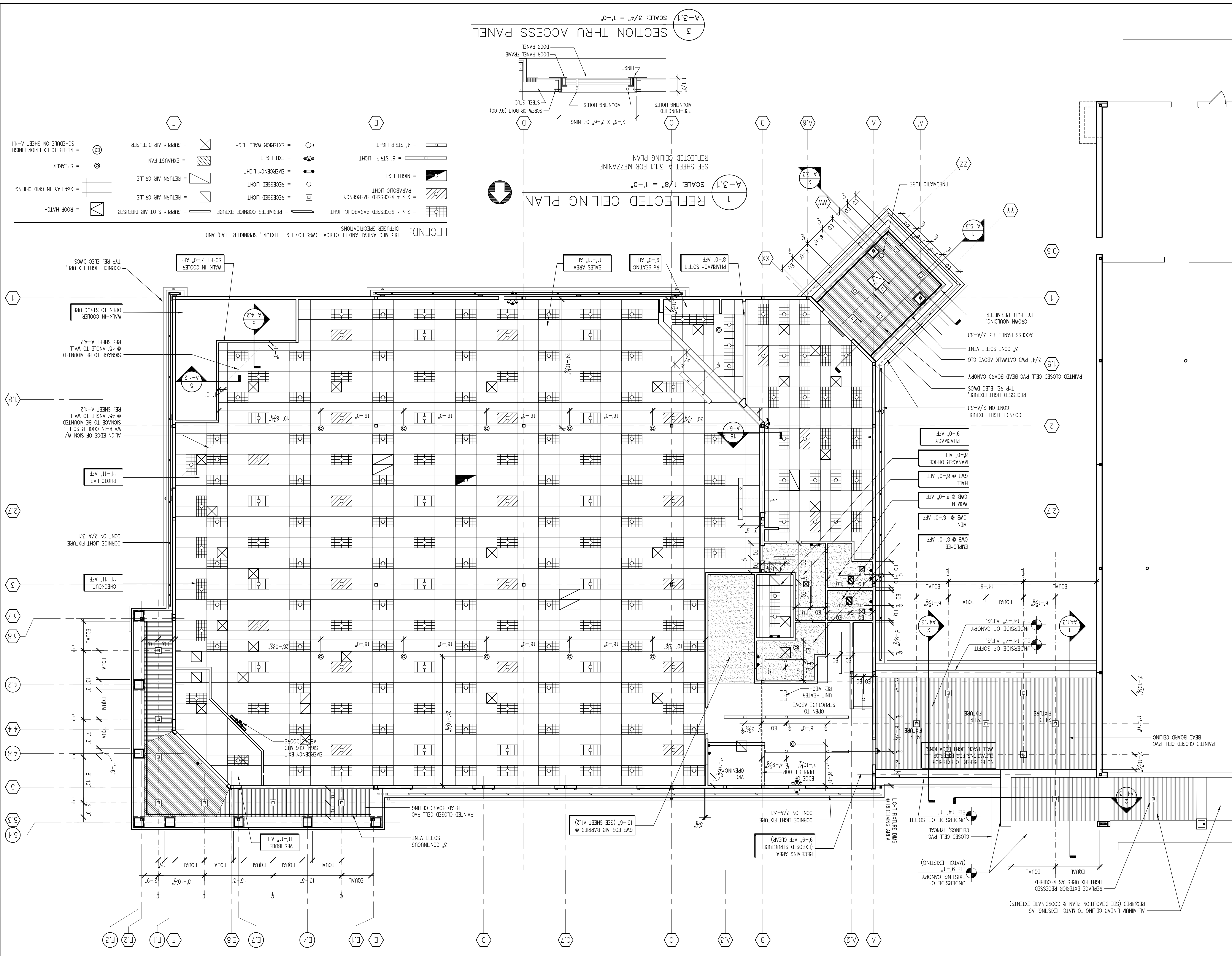
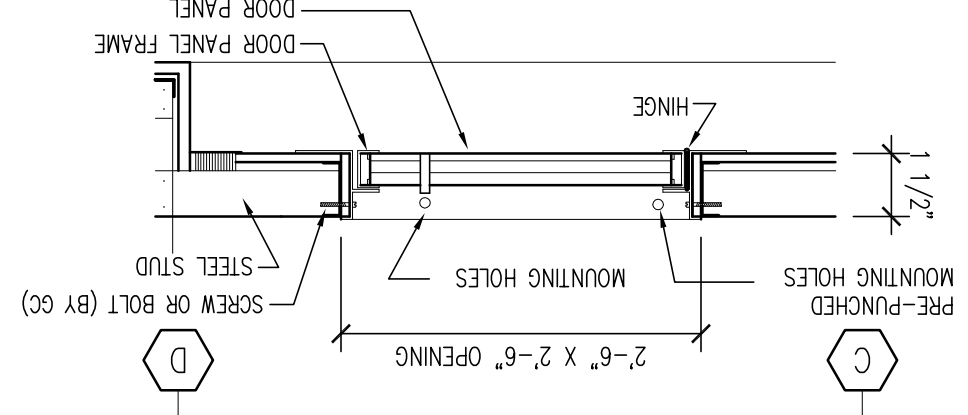


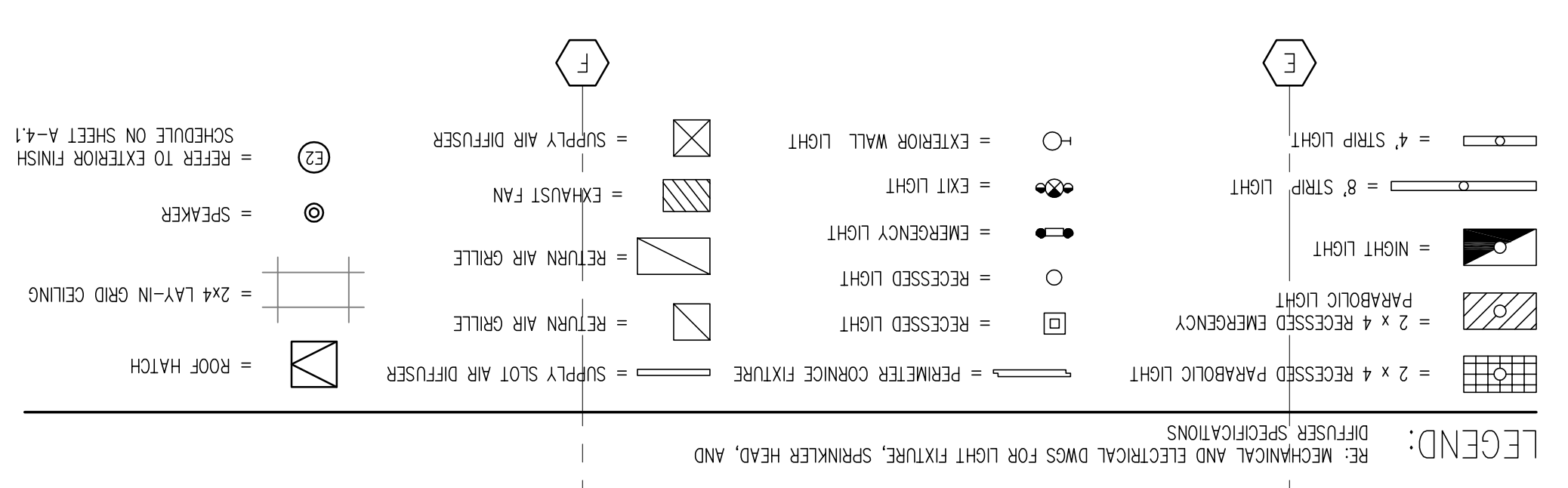
APPROXIMATE
LIMIT OF WORK



SECTION THRU ACCESS PANEL
SCALE: 3/4" = 1'-0"



REFLECTED CEILING PLAN
SCALE: 1/8" = 1'-0"



COMMENTS:
ISSUED FOR CONSTRUCTION

SHEET NUMBER: A-3.1

TITLE: REFLECTED CEILING PLANS & DETAILS

JOB NUMBER: 209017

DATE: 8/31/09

DRAWING BY: RTK

REVISIONS:

DEVELOPER: A & D REALTY, LLC
5 MILITIA DRIVE
LEXINGTON, MA 02421

NEW STORE NUMBER: 329

pharmacy
CVS/

SEAL:

CONSULTANT:

BKA Architects, Inc.
Architecture + Interiors

142 Crescent Street
Brockton, MA 02302

tel : 508.583.5603
fax : 508.584.2914
e-mail : bka@bkaarch.com

Copyright © 2009 by BKA Architects, Inc. The architectural plans, drawings, designs, specifications and other information on this sheet are and shall remain the property of BKA Architects, Inc. No part thereof shall be copied, disseminated to others, or used in connection with any work or project, other than the specified project for which they have been prepared and submitted, without the express knowledge and written consent of BKA Architects, Inc.