

Note: Final shop drawings to be approved by Starbucks's Design Manager prior to fabrication.

Note: Adequate ventilation required at top of unit.



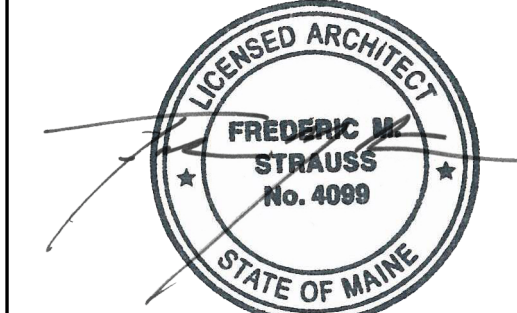
STARBUCKS COFFEE COMPANY
 2401 UTAH AVENUE SOUTH
 SEATTLE, WASHINGTON 98134
 (206) 318-1575

THESE DRAWINGS AND SPECIFICATIONS ARE CONFIDENTIAL AND SHALL REMAIN THE SOLE PROPERTY OF STARBUCKS CORPORATION, WHICH IS THE OWNER OF THE COPYRIGHT IN THIS WORK. THEY SHALL NOT BE REPRODUCED (IN WHOLE OR IN PART), SHARED WITH THIRD PARTIES OR USED IN ANY MANNER ON OTHER PROJECTS OR EXTENSIONS TO THIS PROJECT WITHOUT THE PRIOR WRITTEN CONSENT OF STARBUCKS CORPORATION. THESE DRAWINGS AND SPECIFICATIONS ARE INTENDED TO EXPRESS DESIGN INTENT FOR A PROTOTYPICAL STARBUCKS STORE (WHICH IS SUBJECT TO CHANGE AT ANY TIME) AND DO NOT REFLECT ACTUAL SITE CONDITIONS. NEITHER PARTY SHALL HAVE ANY OBLIGATION NOR LIABILITY TO THE OTHER (EXCEPT STATED ABOVE) UNTIL A WRITTEN AGREEMENT IS FULLY EXECUTED BY BOTH PARTIES.

T P G ARCHITECTURE

TPG Architecture, LLP
 360 Park Avenue, South, New York, New York 10010
 212 768 0800 212 768 1597 fax
 www.tpgarchitecture.com

Frederic M. Strauss



ME License No. 4099
 Architect of Record

Revision Schedule			
Rev	Date	By	Description

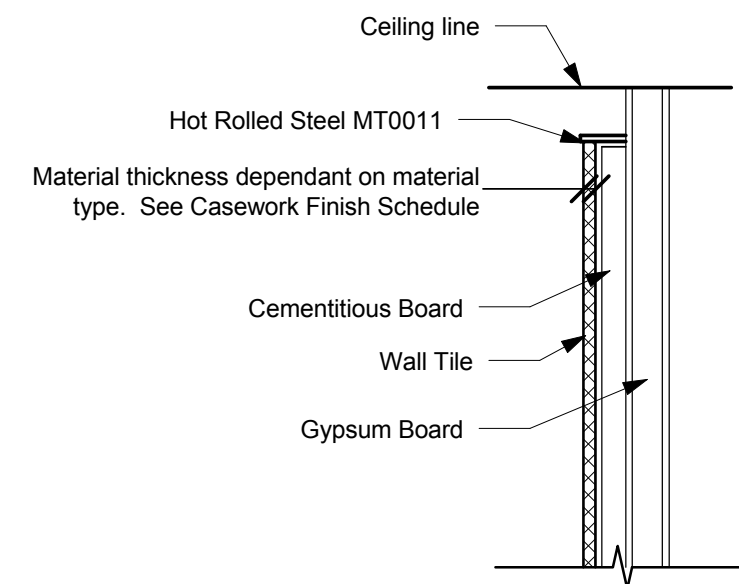
PROJECT NAME:
NORTHGATE PLAZA
 PROJECT ADDRESS:
**91 AUBURN STREET,
 PORTLAND ME 04103**

STORE #: 2830
 PROJECT #: 22764-021
 CONCEPT:
 PALETTE:
 ISSUE DATE: 12/19/2013
 DESIGN MANAGER: Eta Kliger
 LEED® AP:
 PRODUCTION DESIGNER: AH
 CHECKED BY: Allison Stadnyck

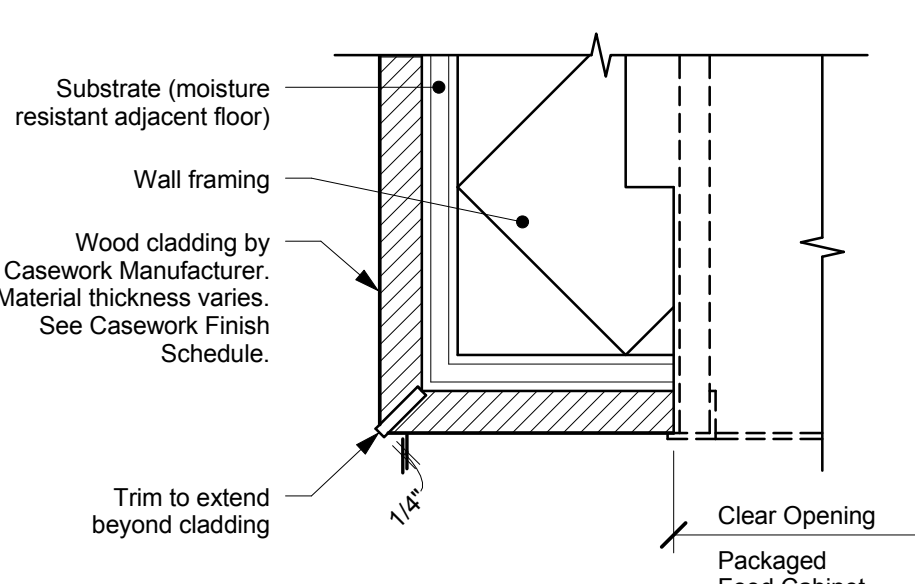
SHEET TITLE:
DESIGN DETAILS

SCALE: As indicated

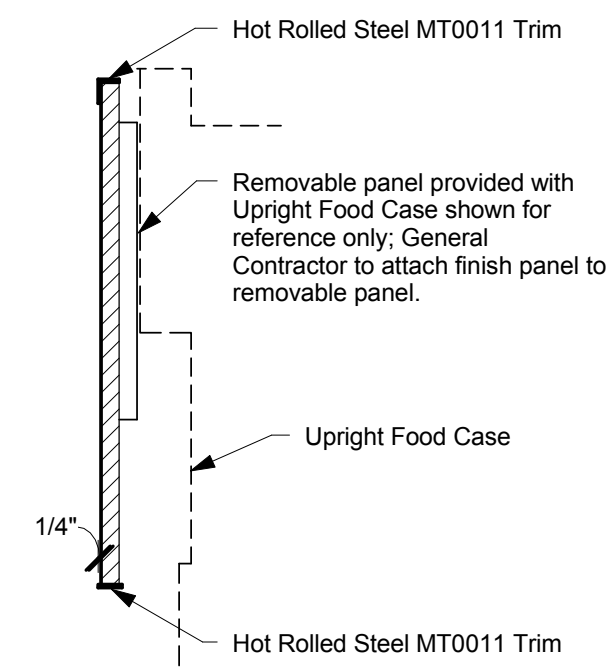
SHEET NUMBER:
I-5003



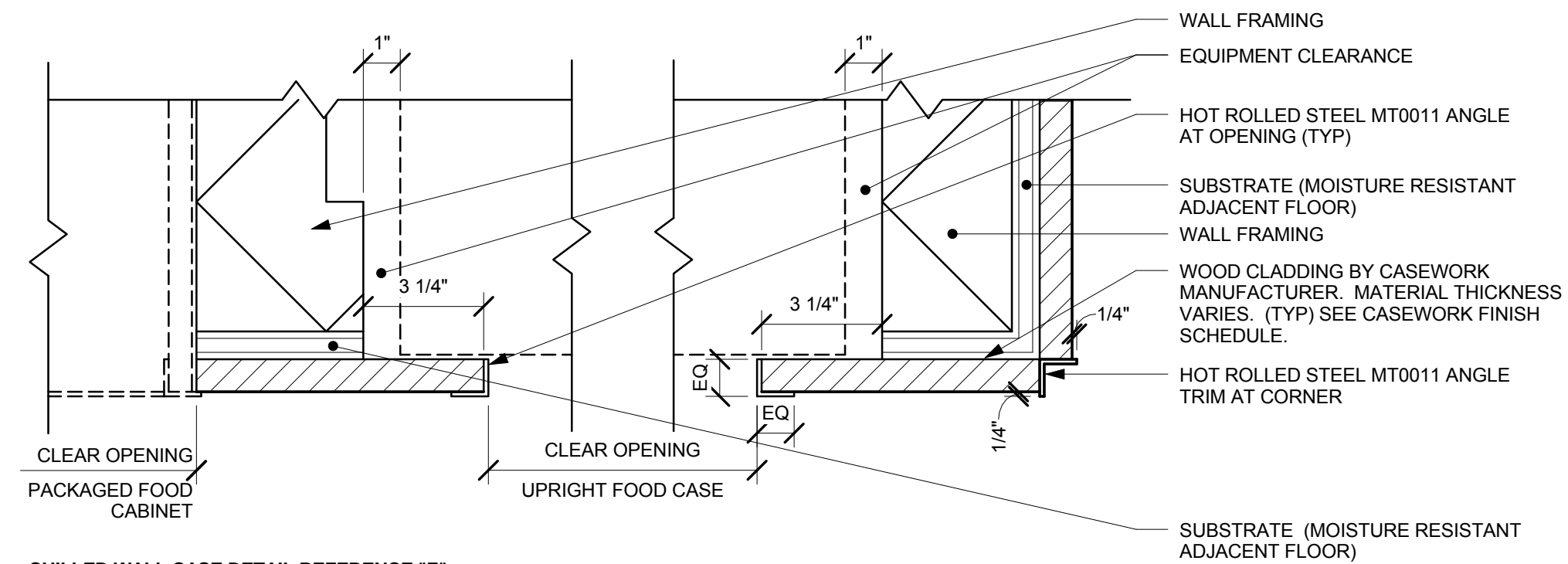
1 CLADDING @ CEILING
 Scale: 3" = 1'-0"



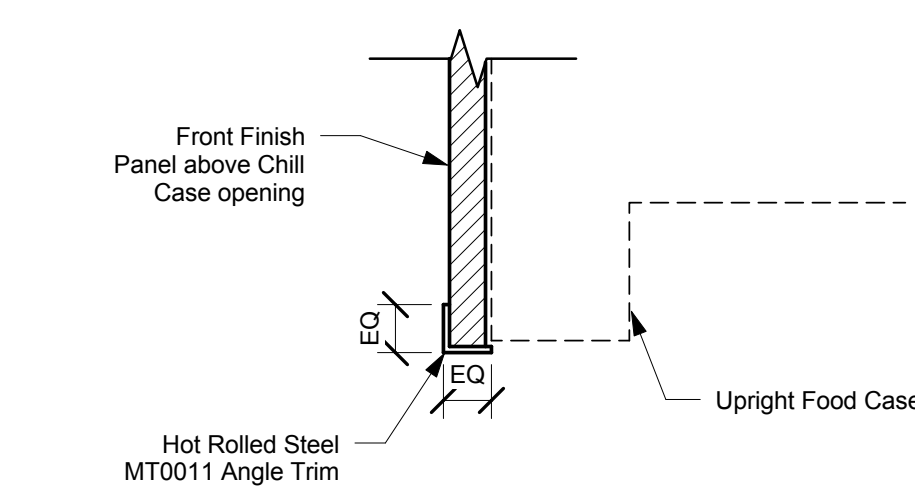
2 CLADDING @ FOOD INSERT OPENING - STANDARD
 Scale: 3" = 1'-0"



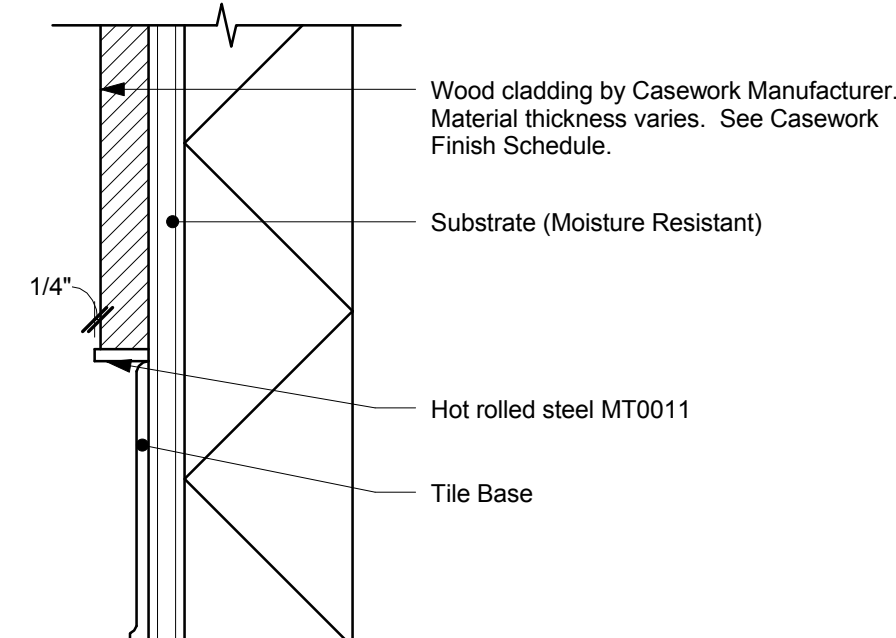
3 REMOVABLE PANEL @ CHILLED CASE
 Scale: 1 1/2" = 1'-0"



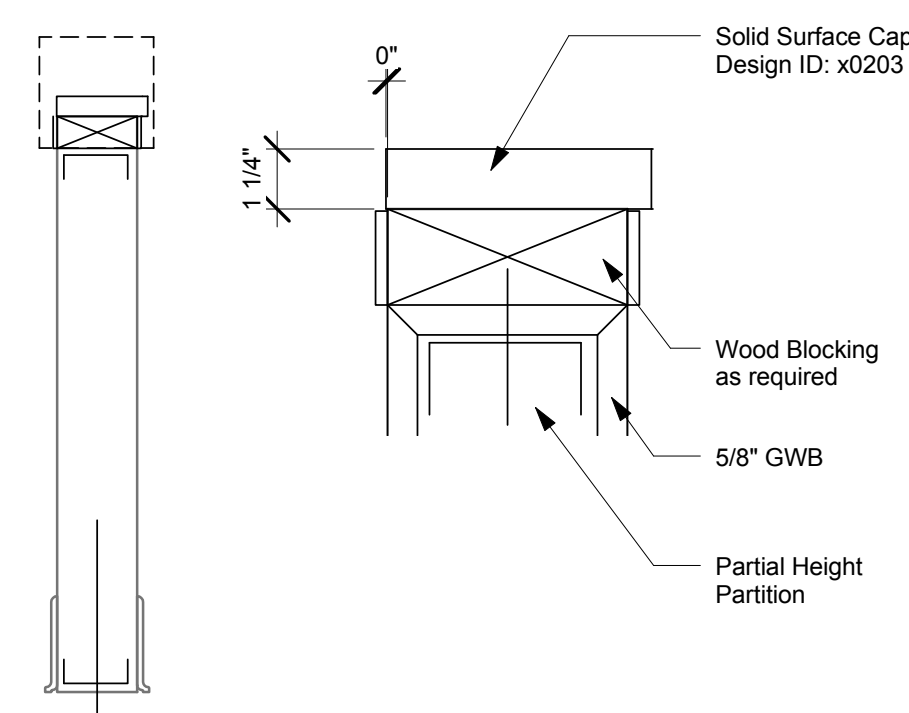
4 CLADDING @ WALL CORER & CHILL CASE OPENING - ALTERNATE
 Scale: 3" = 1'-0"



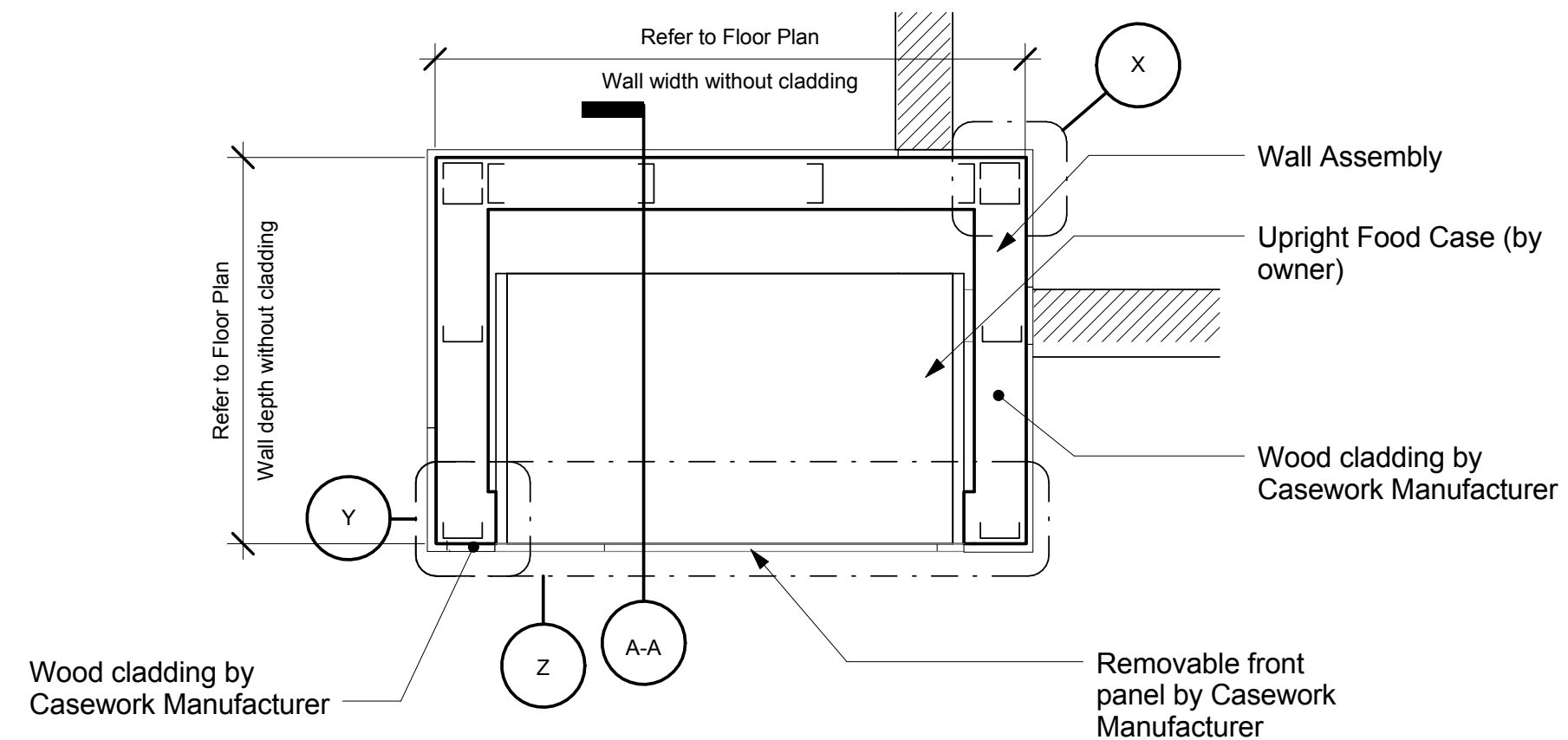
5 CLADDING @ TOP OF CHILLED CASE OPENING
 Scale: 3" = 1'-0"



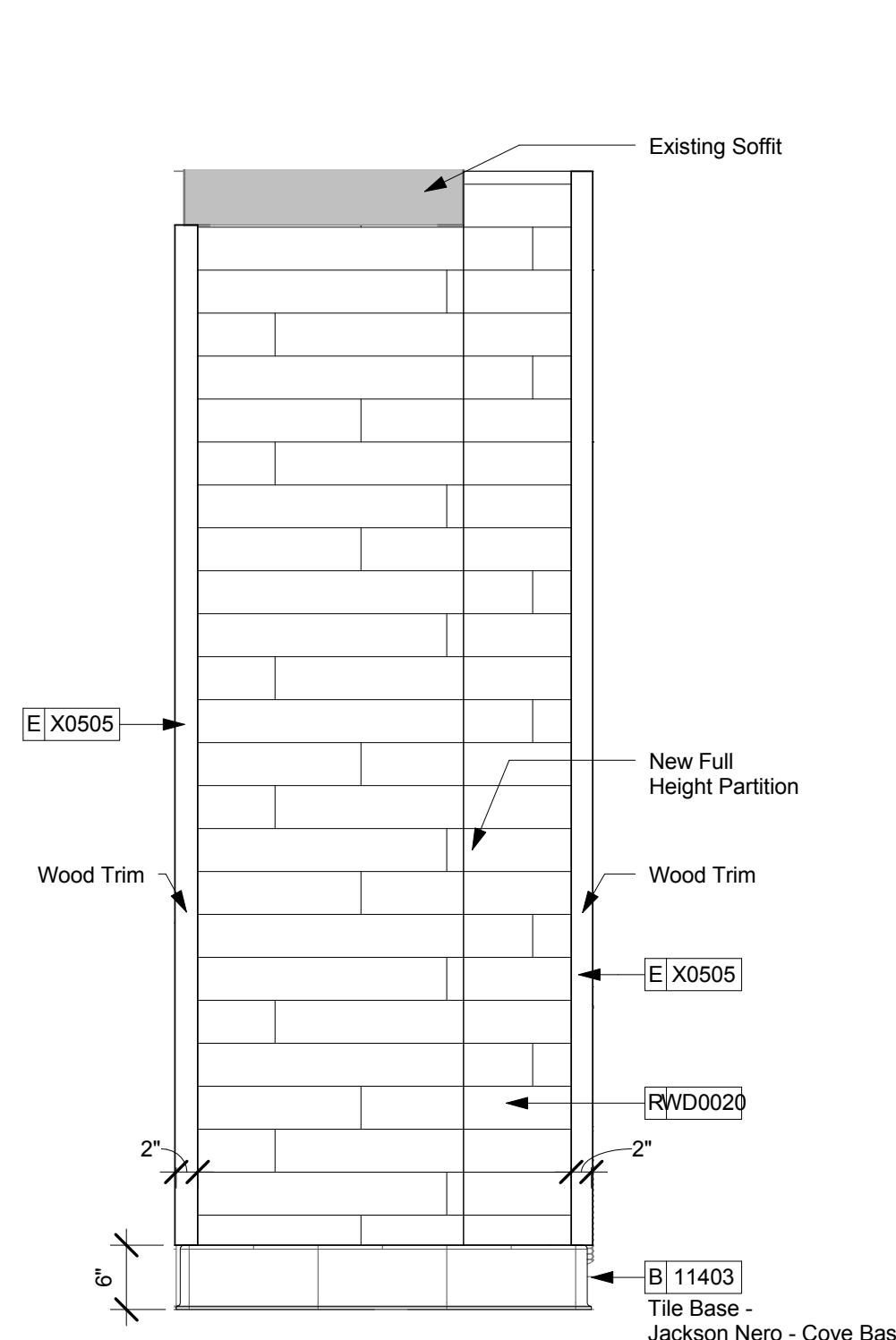
6 CLADDING @ BASE 2
 Scale: 3" = 1'-0"



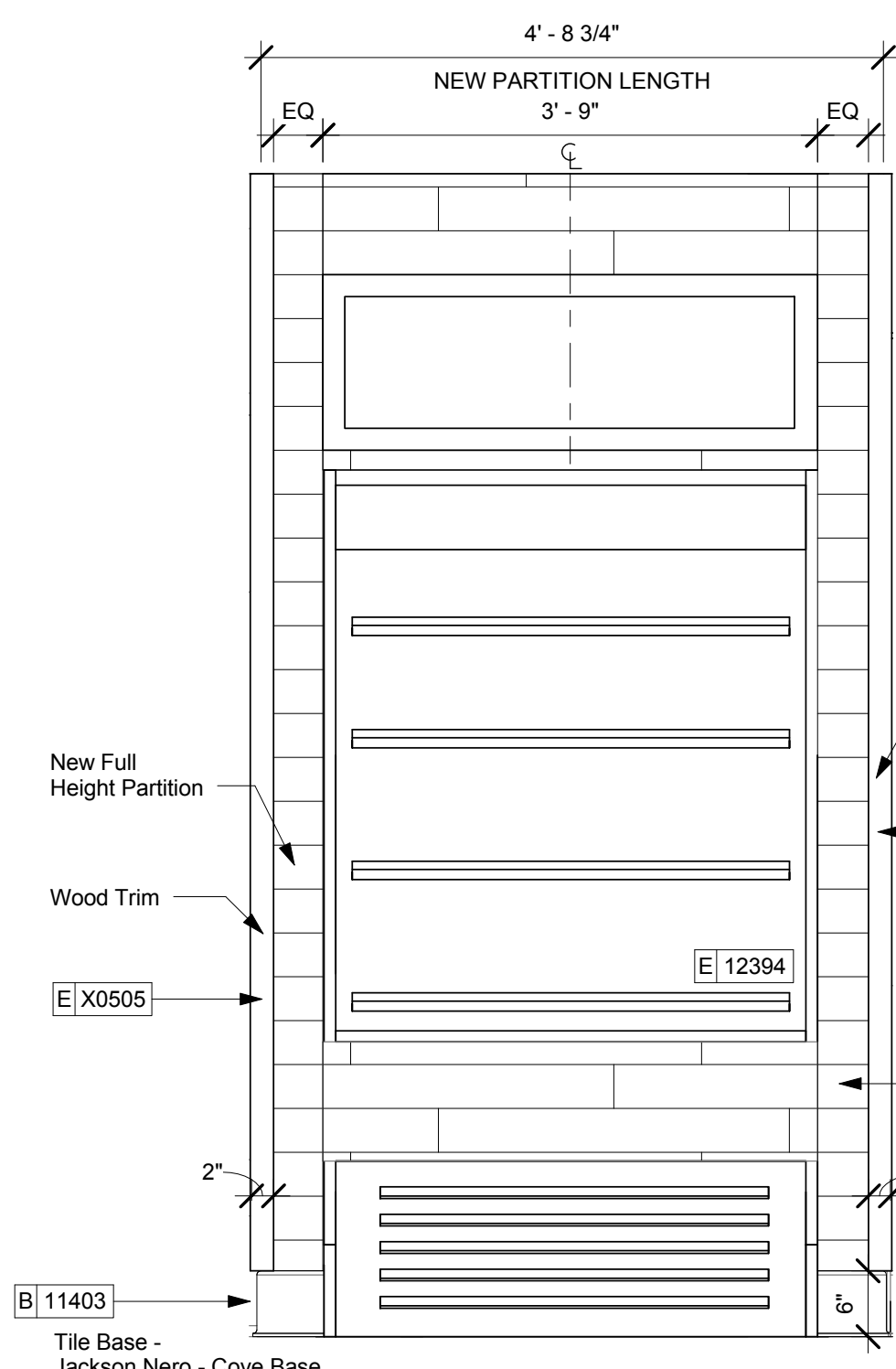
7 DETAIL @ PARTIAL HEIGHT PARTITION
 Scale: 1" = 1'-0"



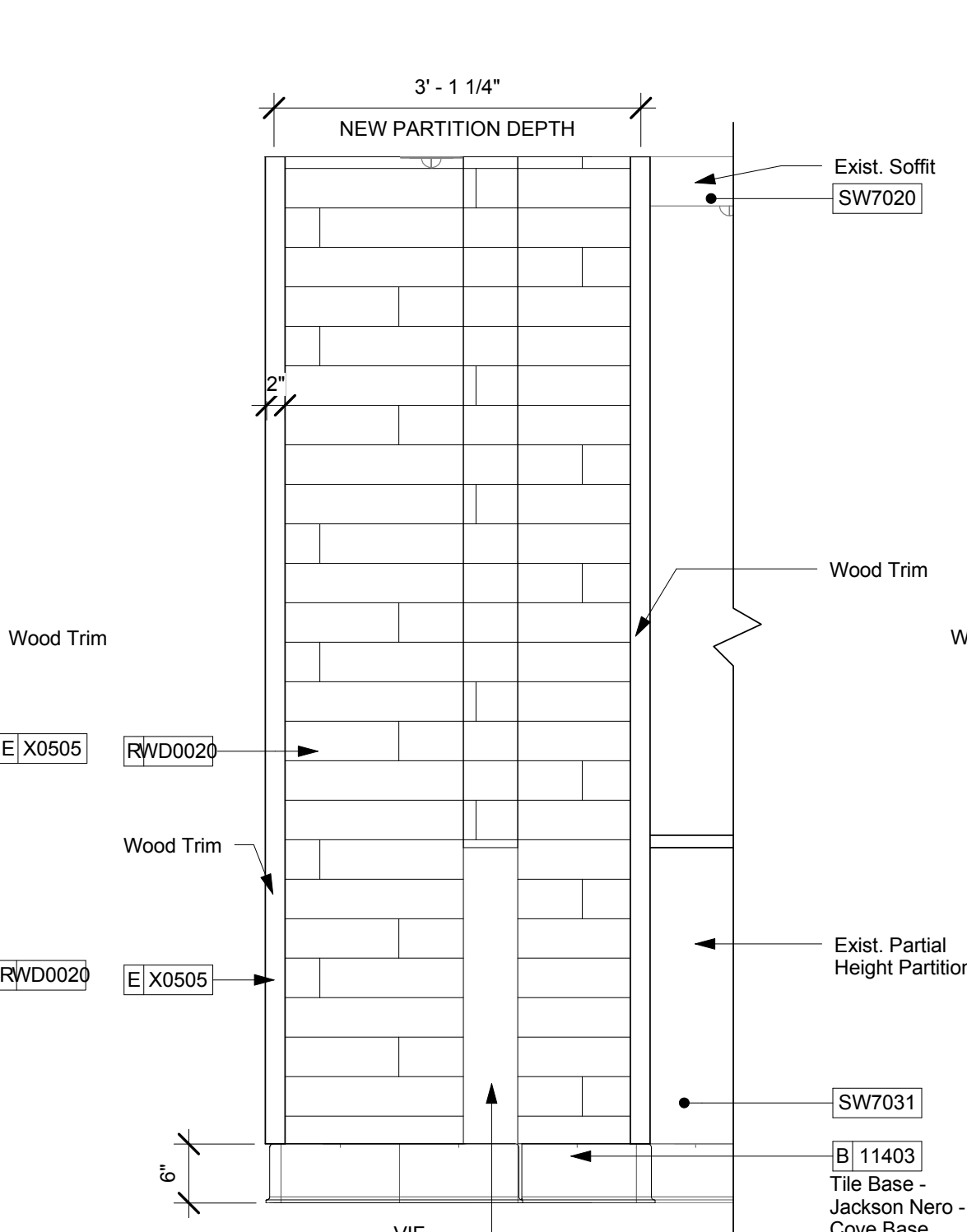
8 CWC Wall Plan
 Scale: 3/4" = 1'-0"



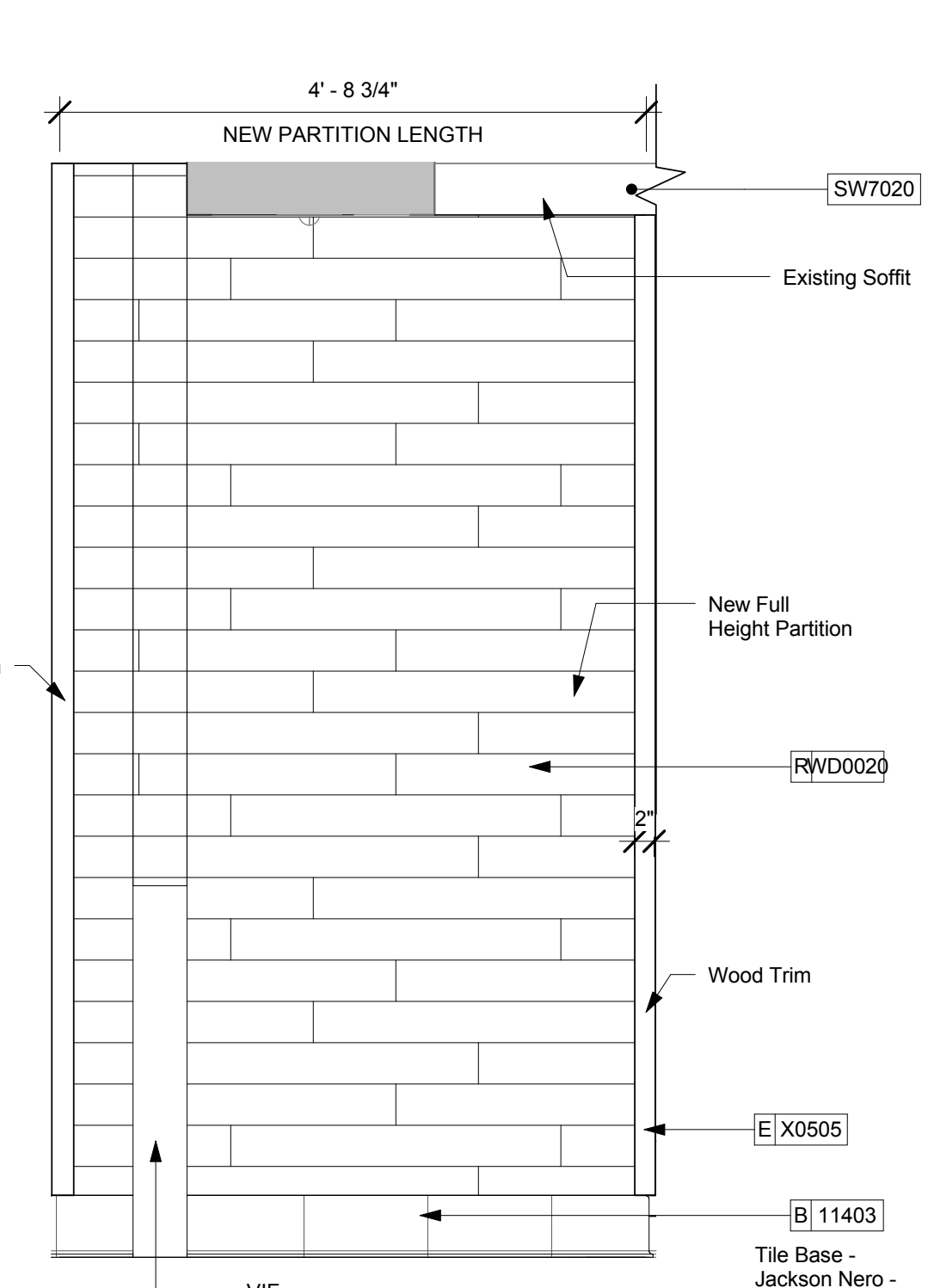
9 LEFT ELEVATION @ WALL OF CHILL
 Scale: 3/4" = 1'-0"



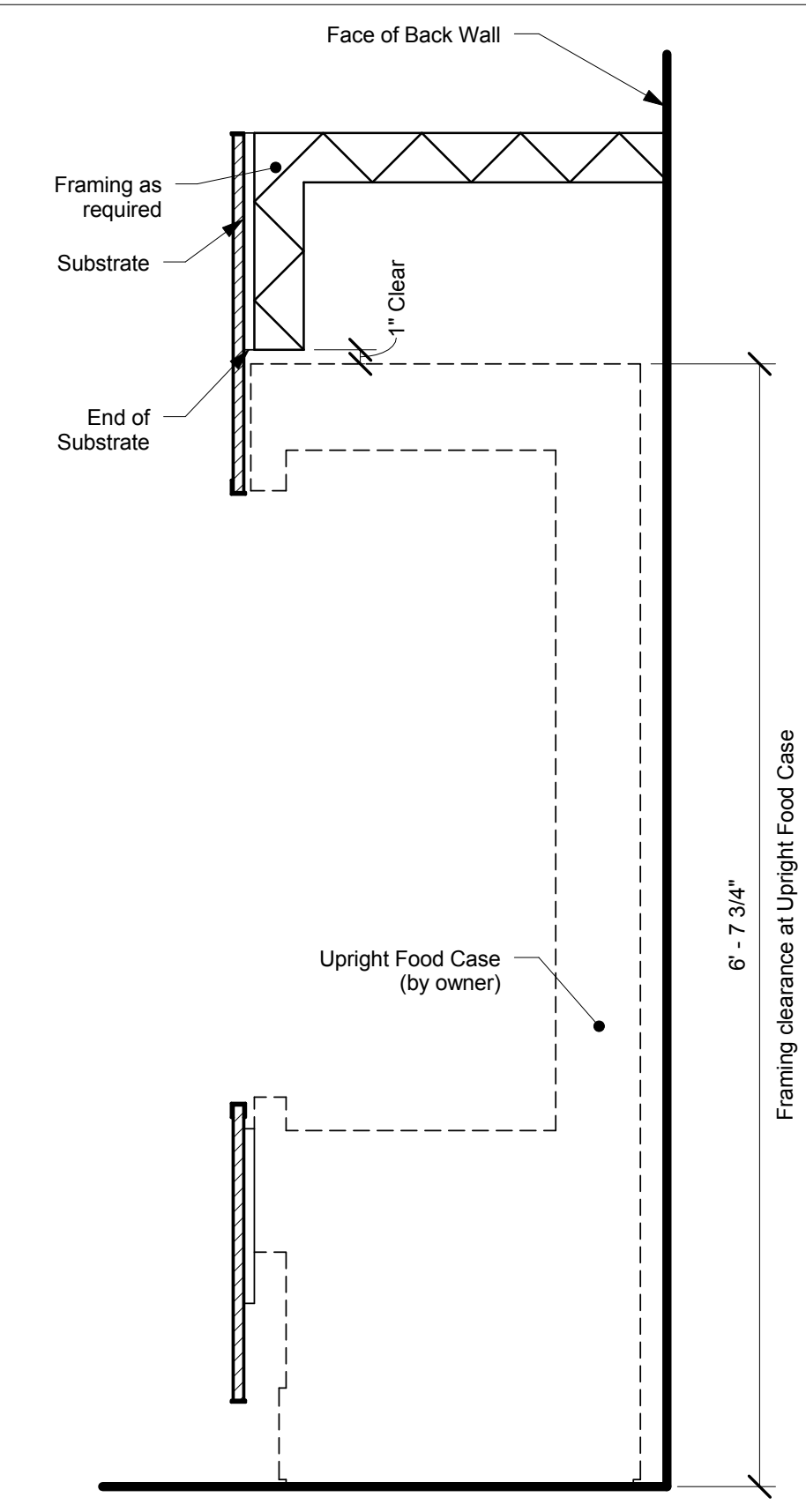
10 FRONT ELEVATION @ WALL OF CHILL
 Scale: 3/4" = 1'-0"



11 RIGHT ELEVATION @ WALL OF CHILL
 Scale: 3/4" = 1'-0"



12 REAR ELEVATION @ WALL OF CHILL
 Scale: 3/4" = 1'-0"



13 SECTION @ CHILLED WALL CASE
 Scale: 1" = 1'-0"

G:\131513889-00\Arch\Archive\OUT\2014-1-20 DOB\NORTHGATE_CD_DOB.rvt 1/20/2014 12:59:10 PM