



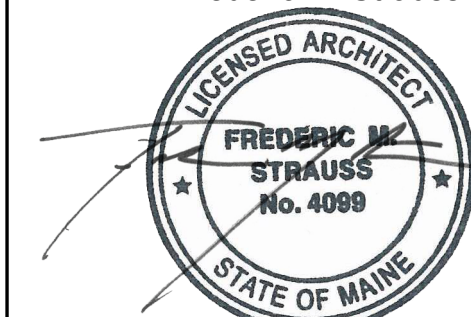
**STARBUCKS COFFEE COMPANY**  
 2401 UTAH AVENUE SOUTH  
 SEATTLE, WASHINGTON 98134  
 (206) 318-1575

THESE DRAWINGS AND SPECIFICATIONS ARE CONFIDENTIAL AND SHALL REMAIN THE SOLE PROPERTY OF STARBUCKS CORPORATION, WHICH IS THE OWNER OF THE COPYRIGHT IN THIS WORK. THEY SHALL NOT BE REPRODUCED (IN WHOLE OR IN PART), SHARED WITH THIRD PARTIES OR USED IN ANY MANNER ON OTHER PROJECTS OR EXTENSIONS TO THIS PROJECT WITHOUT THE PRIOR WRITTEN CONSENT OF STARBUCKS CORPORATION. THESE DRAWINGS AND SPECIFICATIONS ARE INTENDED TO EXPRESS DESIGN INTENT FOR A PROTOTYPICAL STARBUCKS STORE (WHICH IS SUBJECT TO CHANGE AT ANY TIME) AND DO NOT REFLECT ACTUAL SITE CONDITIONS. NEITHER PARTY SHALL HAVE ANY OBLIGATION NOR LIABILITY TO THE OTHER (EXCEPT STATED ABOVE) UNTIL A WRITTEN AGREEMENT IS FULLY EXECUTED BY BOTH PARTIES.

**T P G ARCHITECTURE**

**TPG Architecture, LLP**  
 360 Park Avenue, South, New York, New York 10010  
 212 768 0800 212 768 1597 fax  
 www.tpgarchitecture.com

Frederic M. Strauss



ME License No. 4099  
 Architect of Record

Revision Schedule			
Rev	Date	By	Description

PROJECT NAME:  
**NORTHGATE PLAZA**

PROJECT ADDRESS:  
 91 AUBURN STREET,  
 PORTLAND ME 04103

STORE #: 2830  
 PROJECT #: 22764-021  
 CONCEPT:  
 PALETTE:  
 ISSUE DATE: 12/19/2013  
 DESIGN MANAGER: Eta Kliger  
 LEED® AP:  
 PRODUCTION DESIGNER: AH  
 CHECKED BY: Allison Stadnyck

SHEET TITLE:  
**ENLARGED RESTROOM PLAN AND ELEVATIONS**

SCALE: As indicated

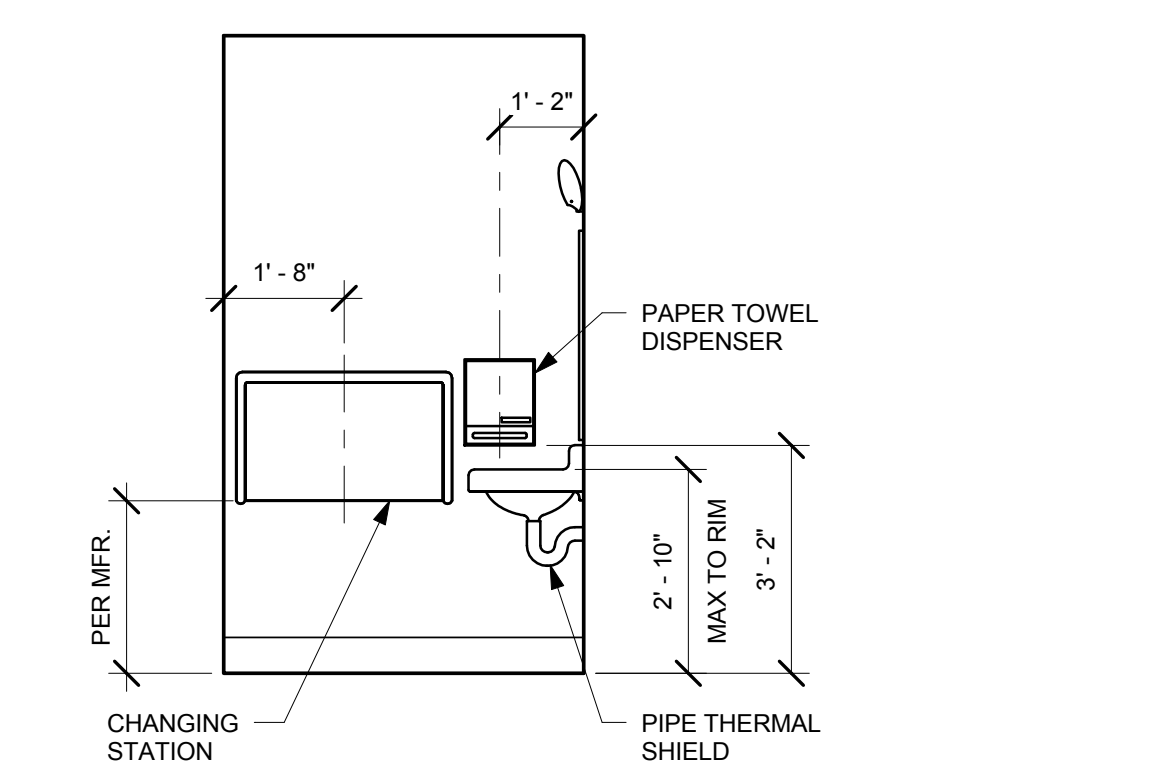
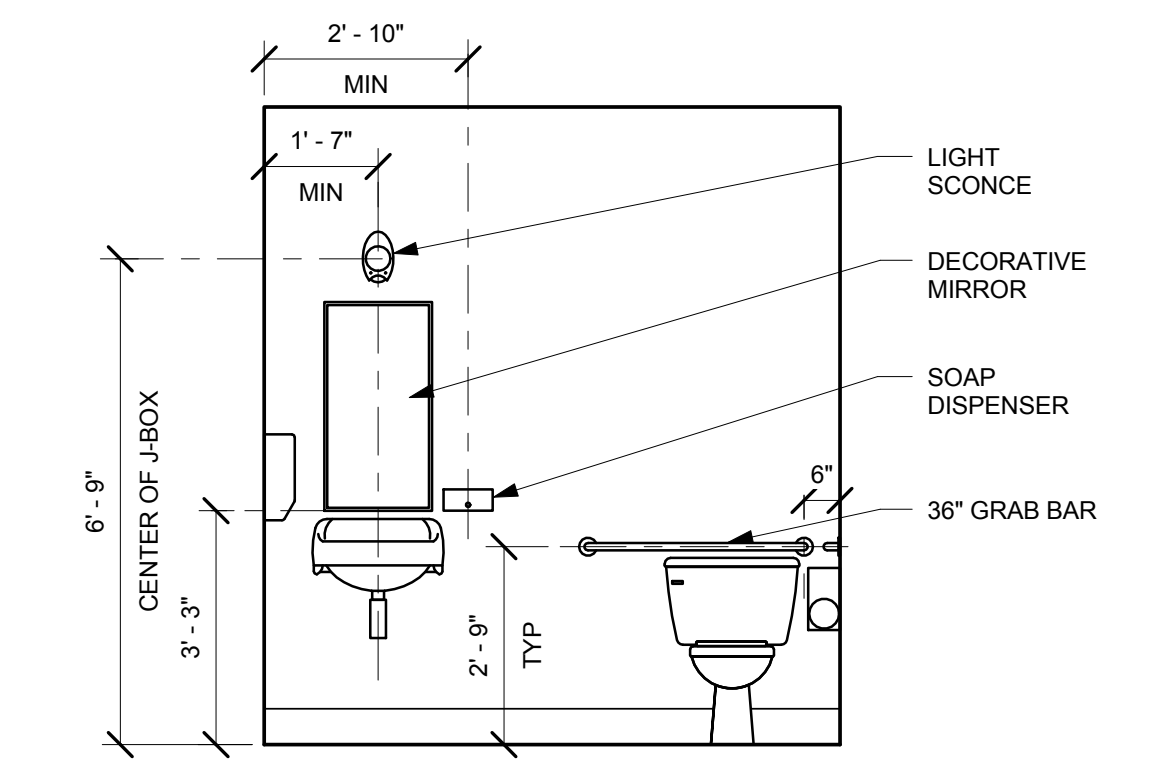
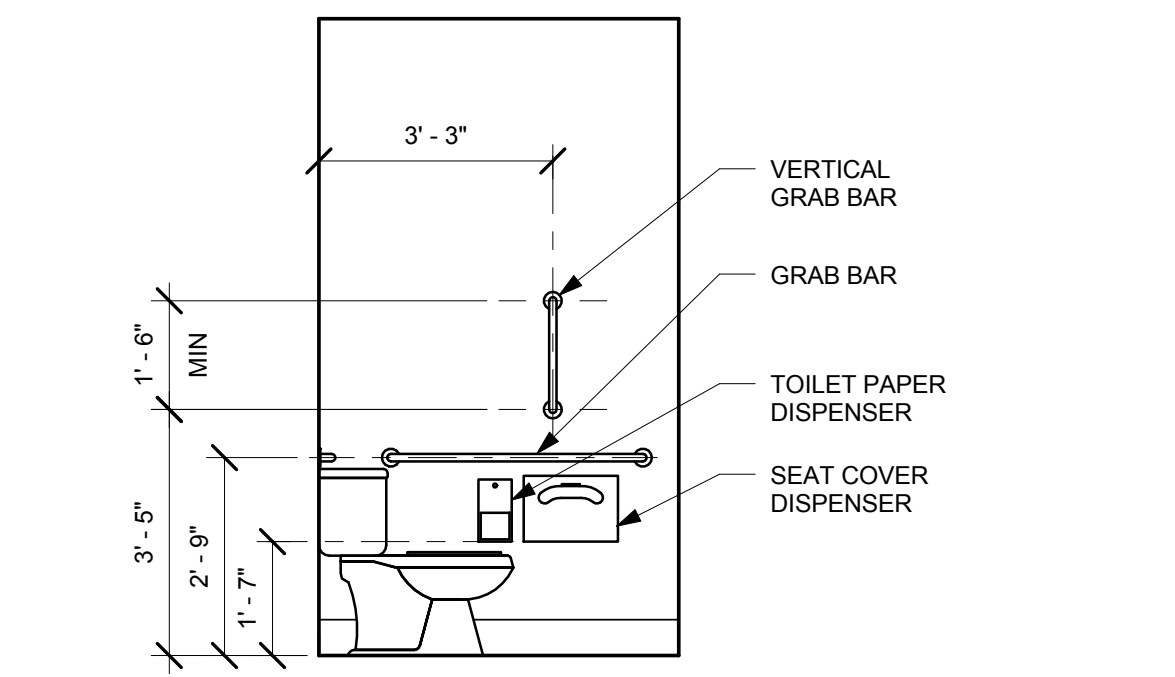
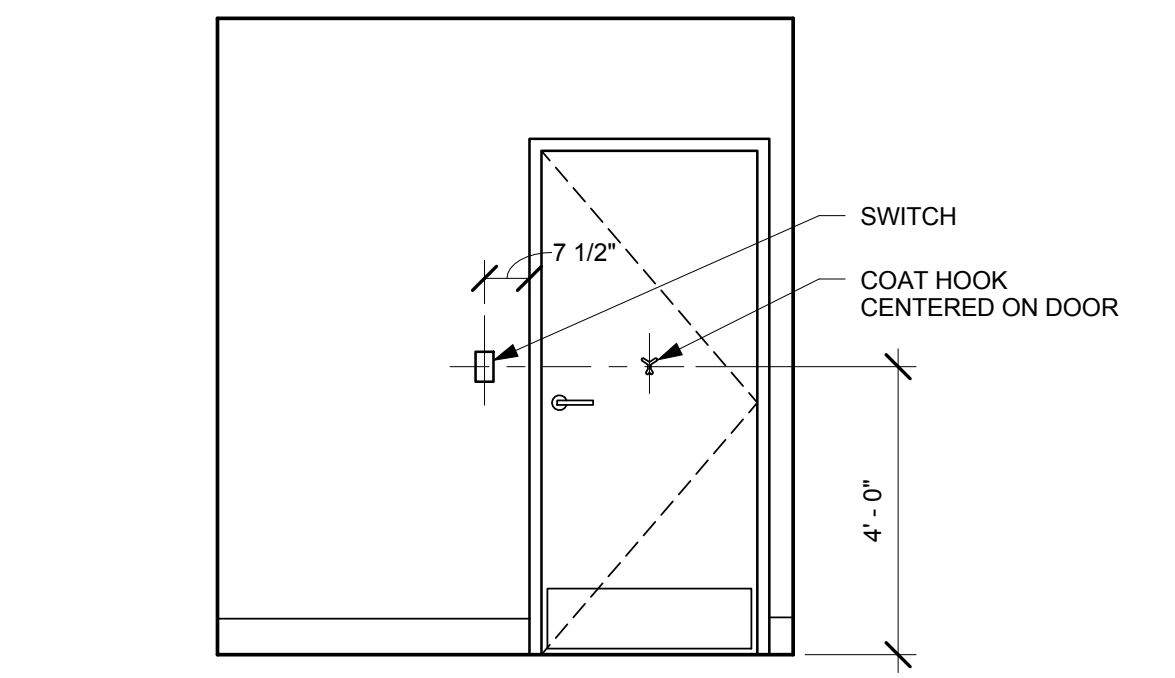
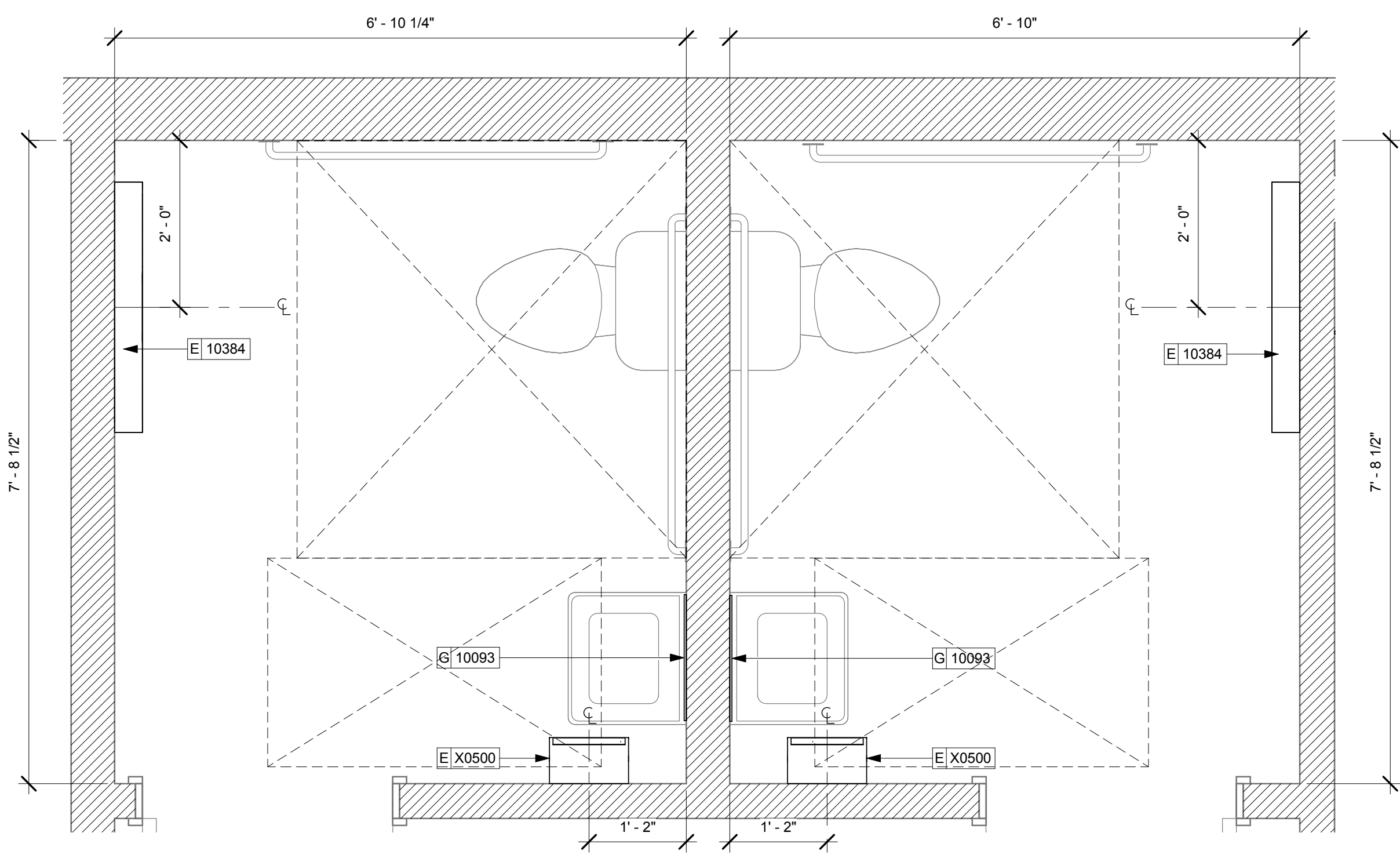
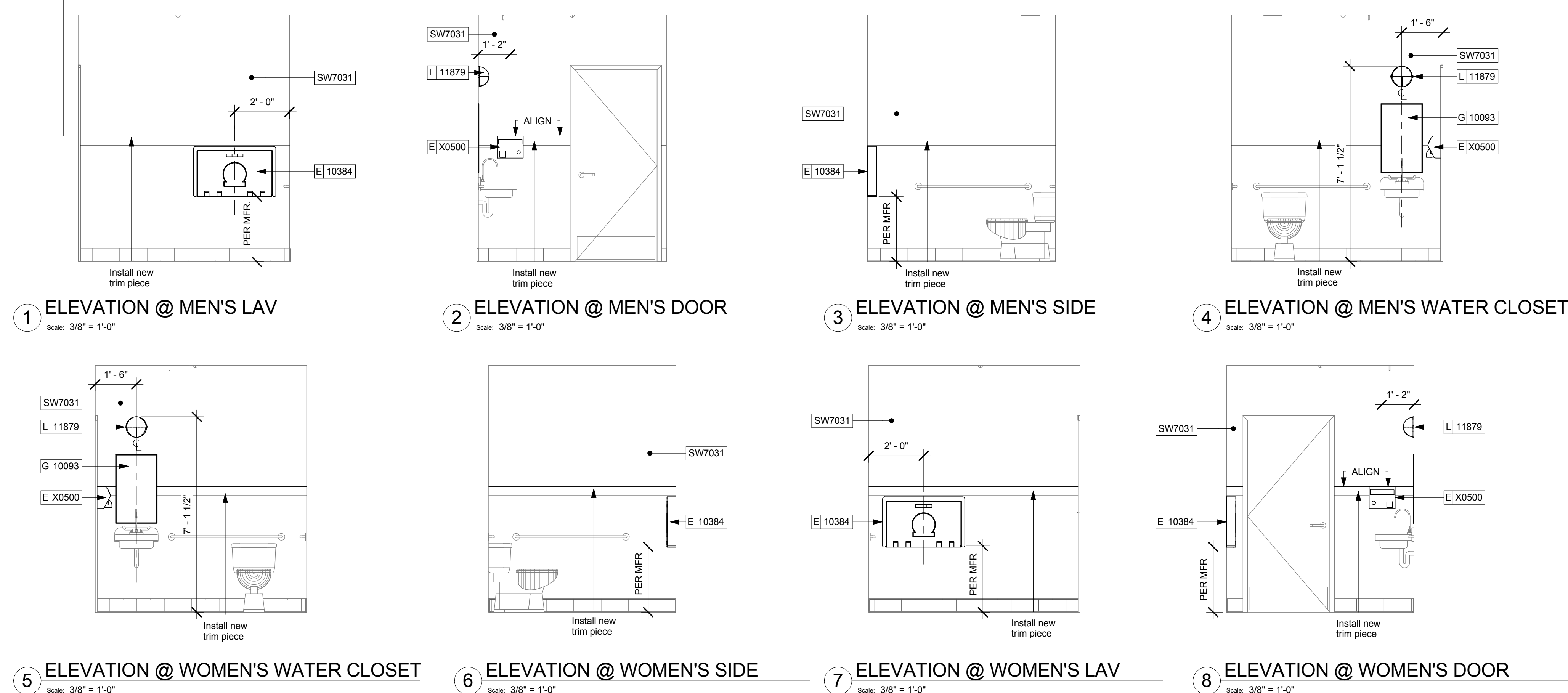
SHEET NUMBER:  
**I-4102**

**ENLARGED RESTROOM PLAN NOTES**

- A. DETAILS ARE FOR REFERENCE ONLY.
- B. ALL RESTROOM ACCESSORIES MOUNTING HEIGHTS TO MEET ACCESSIBILITY REQUIREMENTS PER STARBUCKS ACCESSIBILITY STANDARDS.
- C. GENERAL CONTRACTOR TO VERIFY ALL DIMENSIONS AND NOTIFY STARBUCKS CONSTRUCTION MANAGER OF ANY DISCREPANCIES PRIOR TO CONSTRUCTION. ALL DIMENSIONS TO BE TAKEN FROM DESIGNATED DATUM POINT.
- D. DIMENSIONS ARE TO FACE OF FINISHED SURFACE.

**BABY CHANGING STATION NOTES**

- 1. CHANGING STATION IS TO BE INSTALLED PER MANUFACTURER'S INSTRUCTIONS. UNIT IS TO BE FASTENED TO STRUCTURE AT ALL SIX CHASSIS ATTACHMENT POINTS. STANDARD INSTALLATION IS ATTACHMENT TO WOOD STUDS AND/OR WOOD BLOCKING. FOR NON-STANDARD FRAMING CONDITIONS OTHER THAN CONCRETE, USE TOGGLER SNAPTGGLE HEAVY DUTY TOGGLE BOLTS TO SECURELY ATTACH CHASSIS TO WALL. FOR CONCRETE WALLS, USE FISCHER S-PLUS FIXINGS TO ANCHOR FASTENERS. SUBSTITUTION OF FASTENERS OTHER THAN THE MANUFACTURER AND PRODUCT SPECIFIED IS NOT ALLOWED WITHOUT PRIOR APPROVAL. LOAD TEST AFTER INSTALLATION WITH 100 LB. WEIGHT FOR 15 MINUTES.
- 2. LOCATE STATION TO ALLOW NECESSARY CLEARANCE FOR OPERATION OF ALL RESTROOM FIXTURES. LOCATION SHALL NOT IMPEDE ACCESS, EGRESS, OR DOOR SWING. VERIFY ANY ALTERNATE LOCATION OR INSTALLATION APPROACH WITH STARBUCKS PROJECT LEAD.



1/20/2014 12:59:02 PM G:\131513889-001\Arch\Archive\OUT\2014-1-20 DOBNORTHGATE\_CD\_DOB.rvt