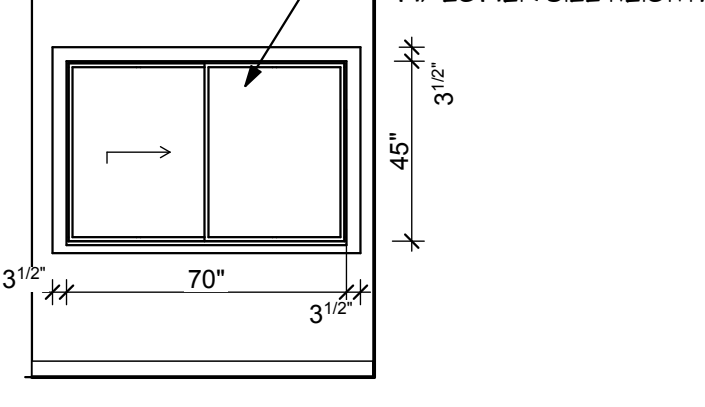
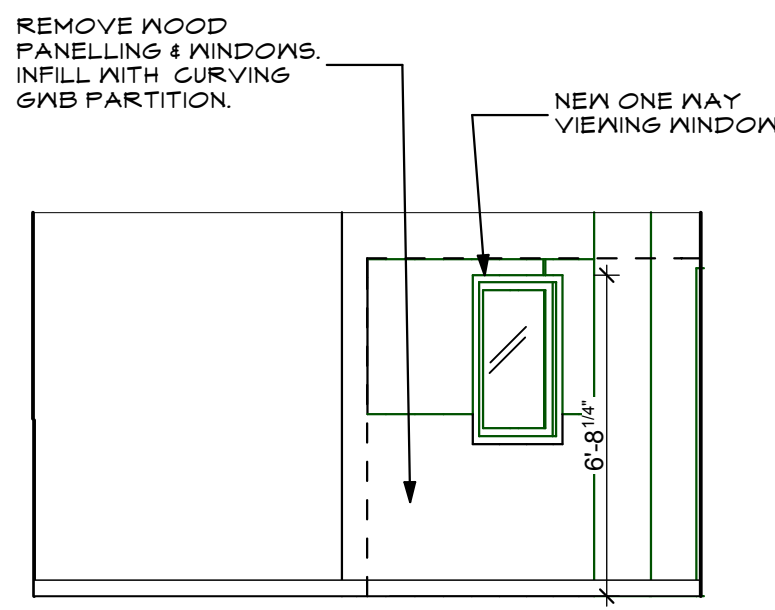


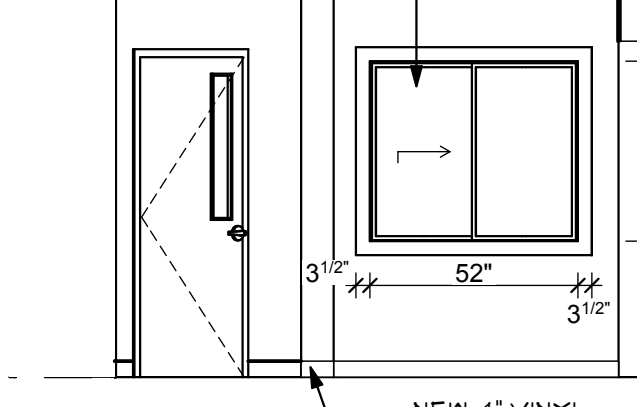
1 ENTRY RM 101  
A2.1 SCALE: 1/4" = 1'-0"



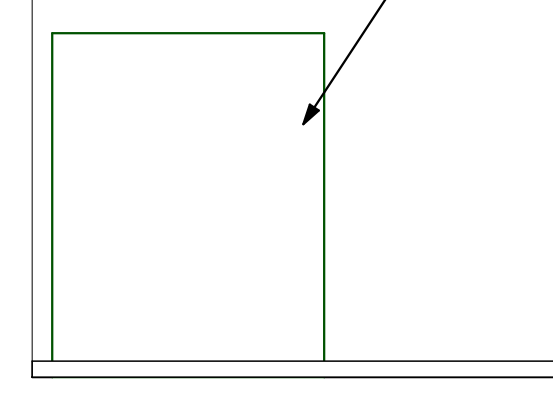
2 WAITING ROOM 102  
A2.1 SCALE: 1/4" = 1'-0"



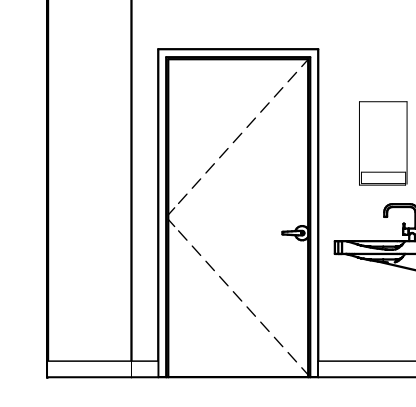
3 WAITING RM 102  
A2.1 SCALE: 1/4" = 1'-0"



4 WAITING RM 102  
A2.1 SCALE: 1/4" = 1'-0"

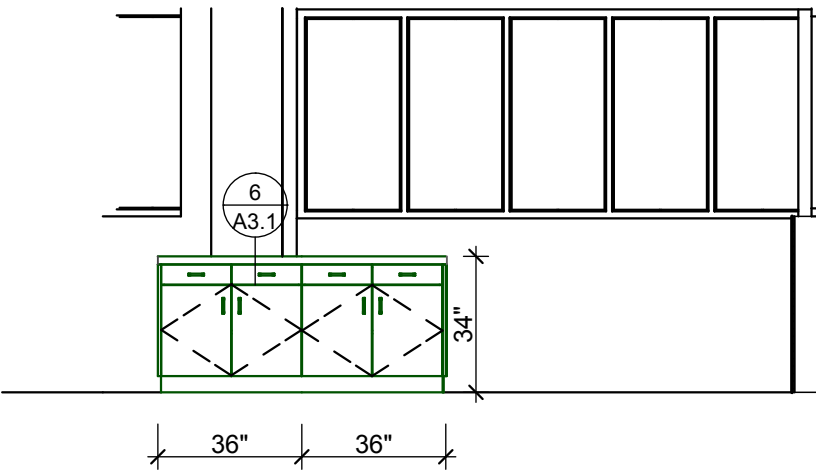
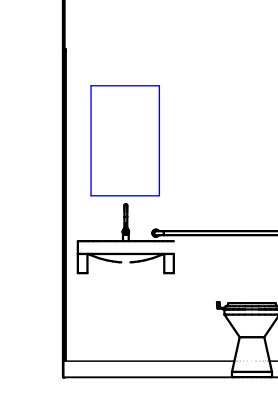
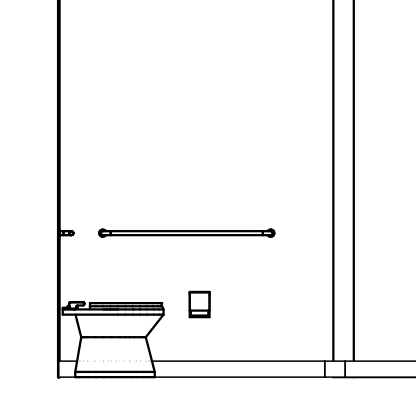


5 WAITING RM 102  
A2.1 SCALE: 1/4" = 1'-0"

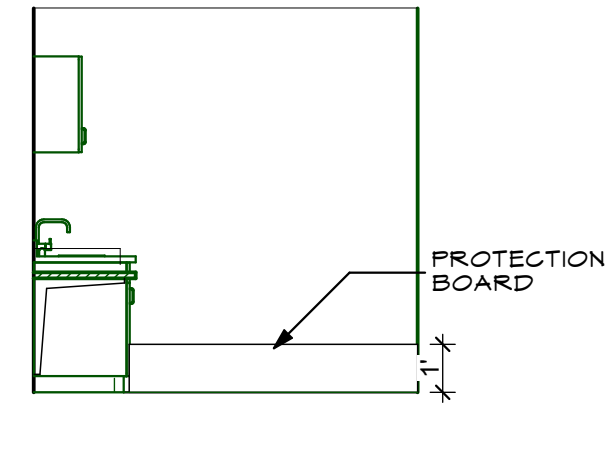


6 TOILET 104  
A2.1 SCALE: 1/4" = 1'-0"

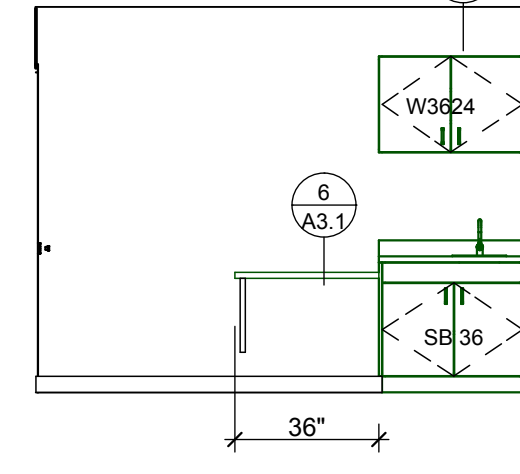
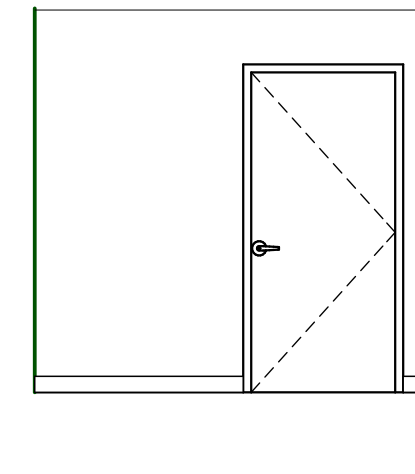
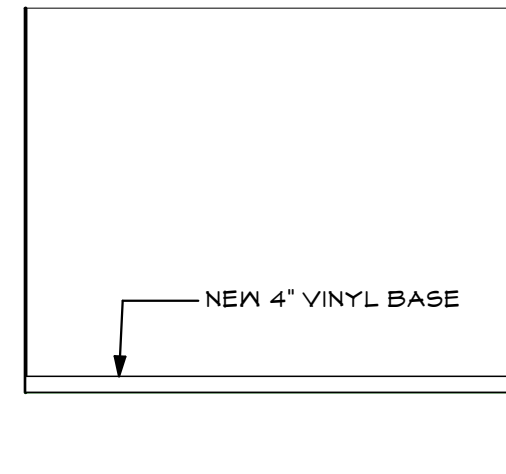
EXISTING TOILET ROOM TO REMAIN AS IS - NO WORK. IN THE FUTURE, WORK TO INCLUDE RELOCATING SINK, PAPER TOWEL DISP & ADJUSTING GRAB BARS LOCATIONS.



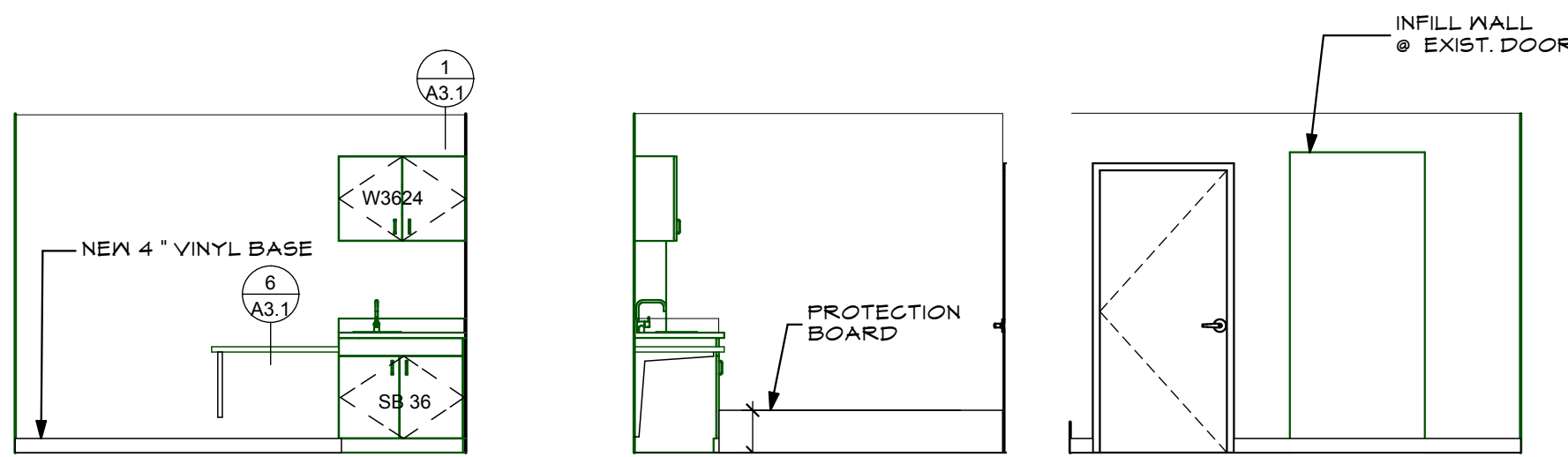
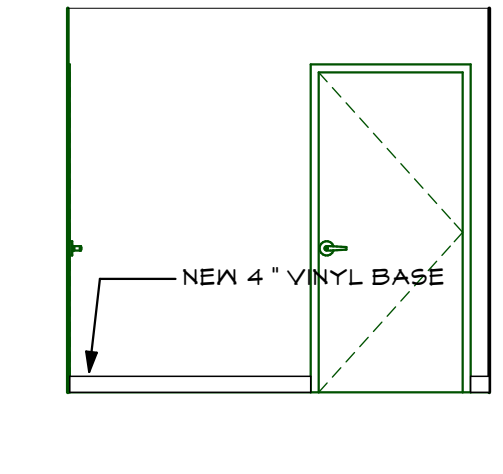
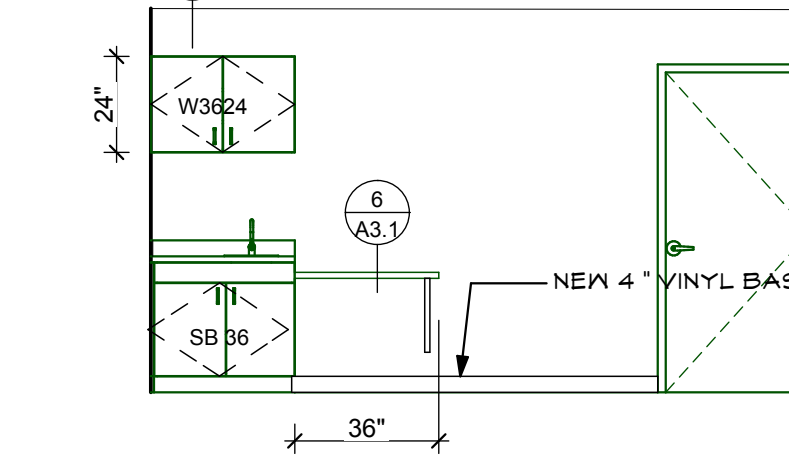
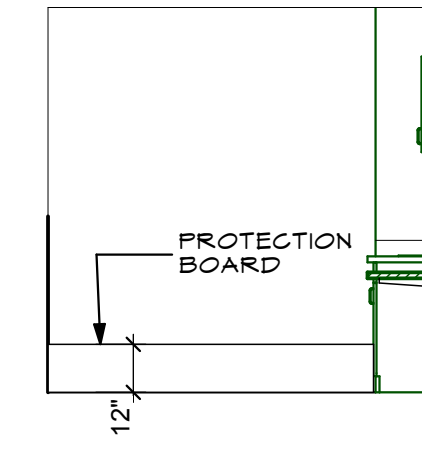
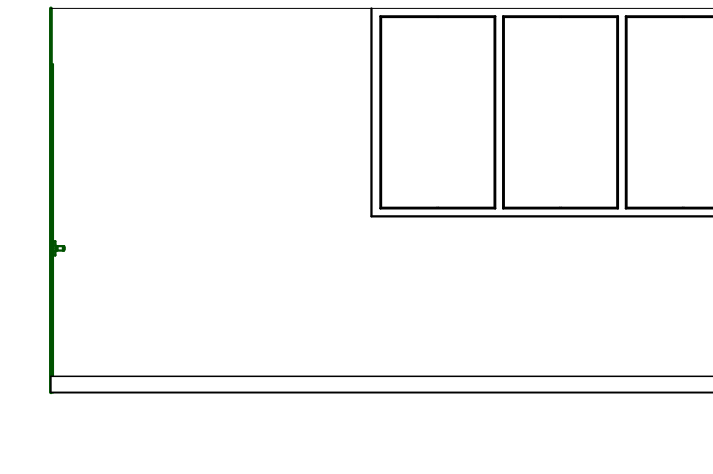
7 WORK ROOM  
A2.1 SCALE: 1/4" = 1'-0"



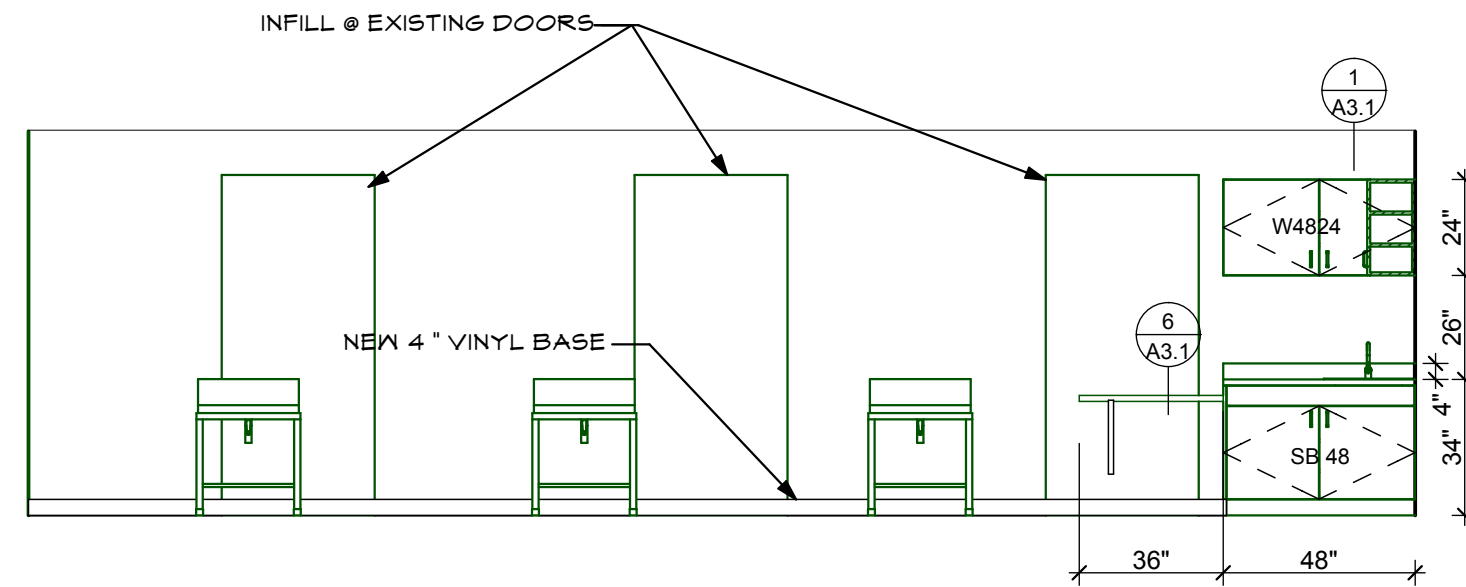
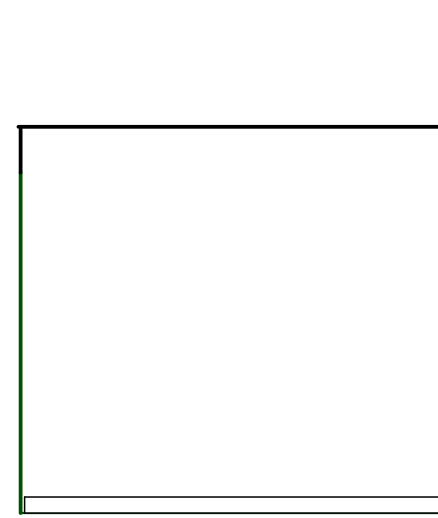
8 EXAM 1 RM 109  
A2.1 SCALE: 1/4" = 1'-0"



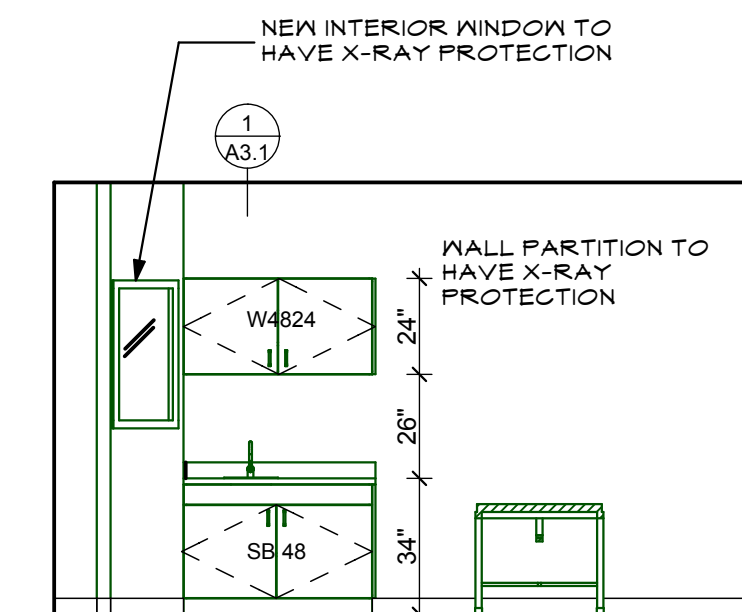
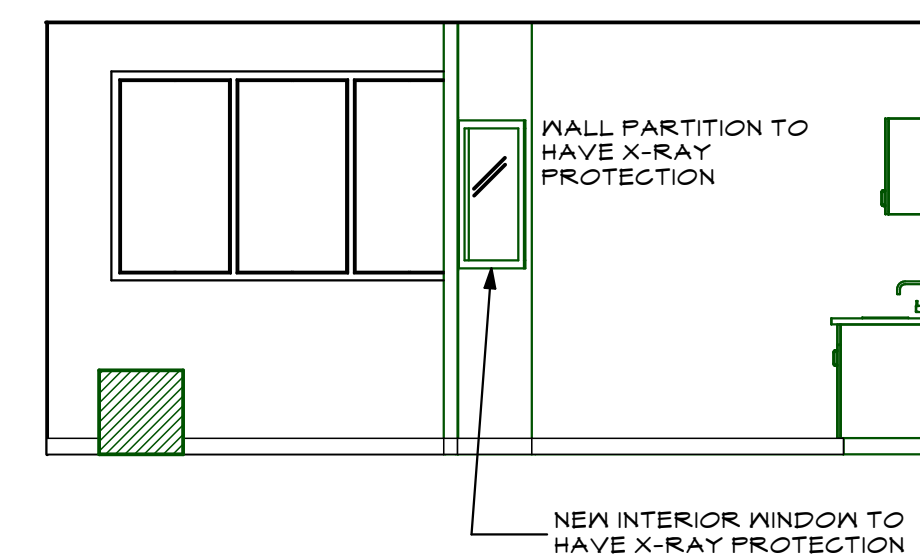
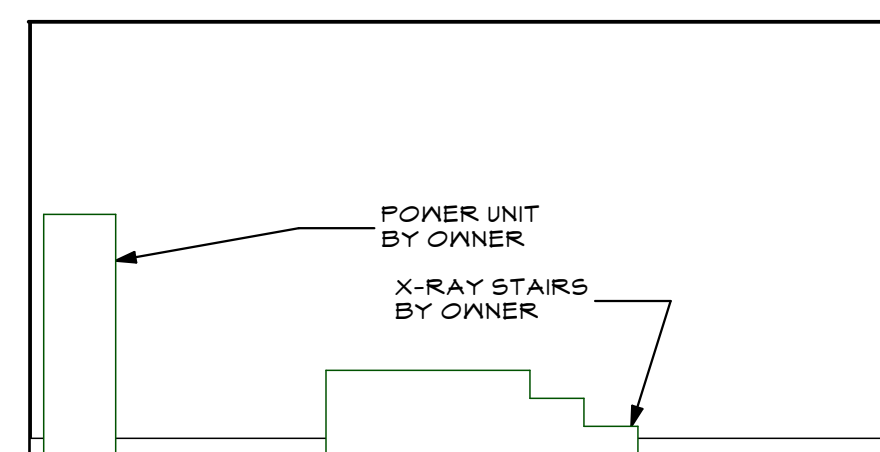
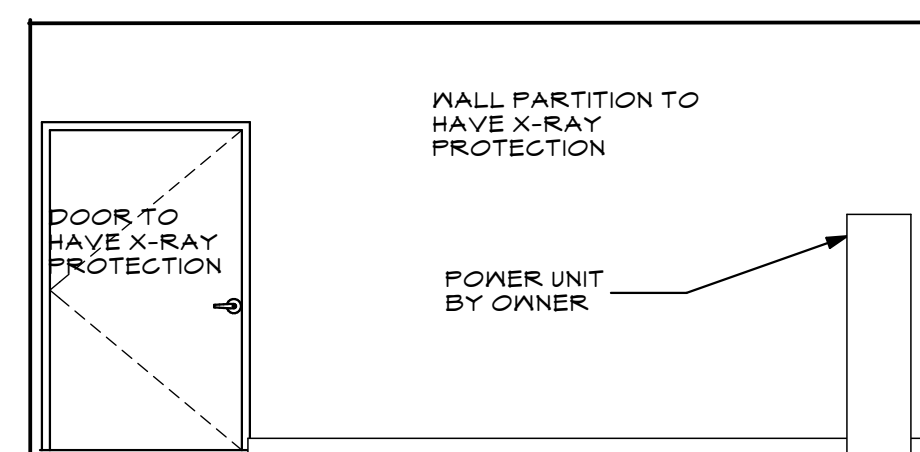
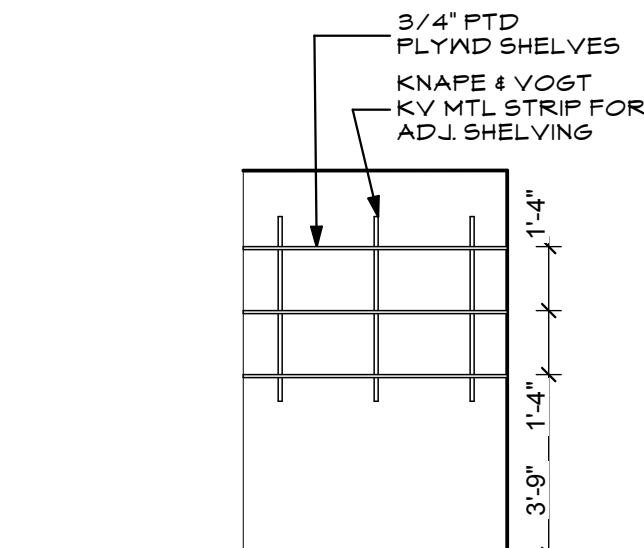
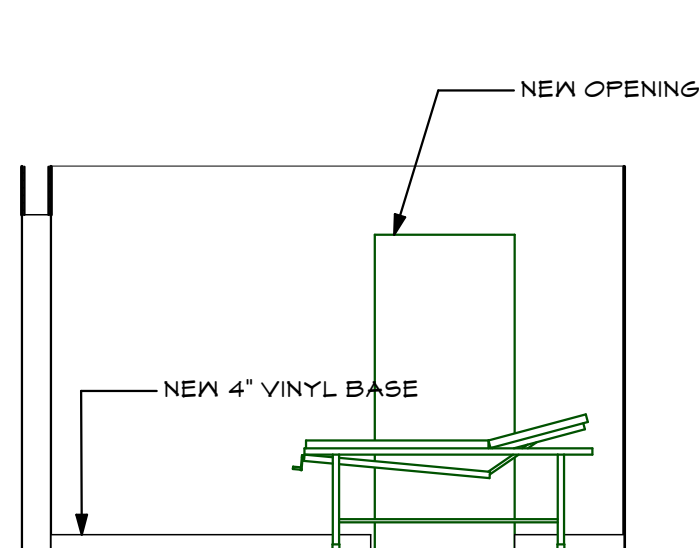
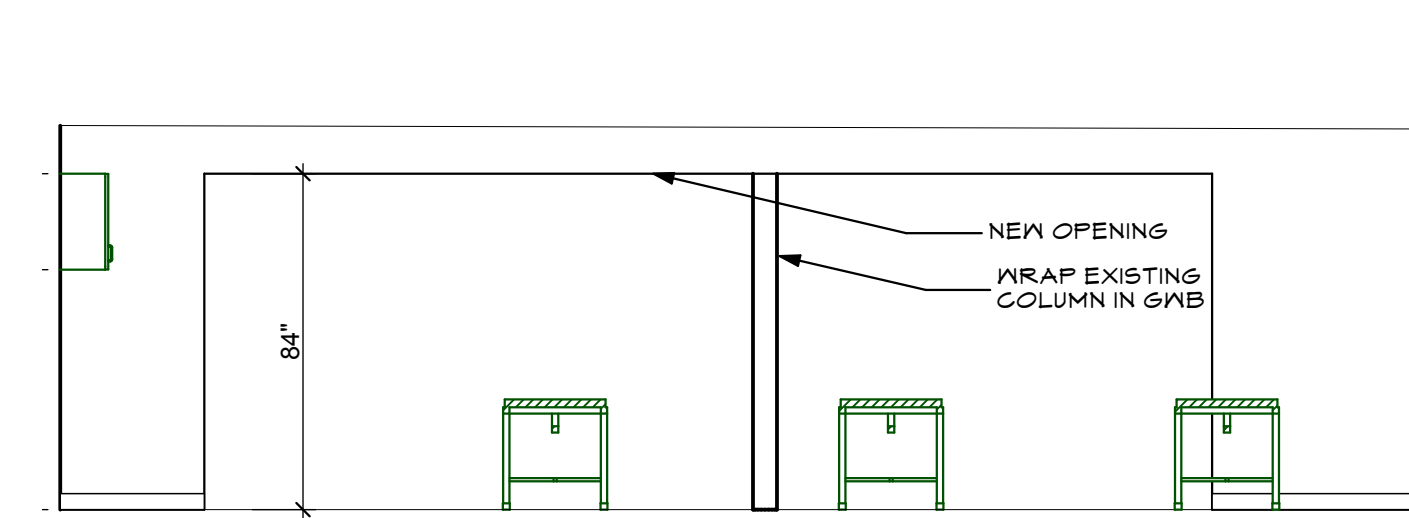
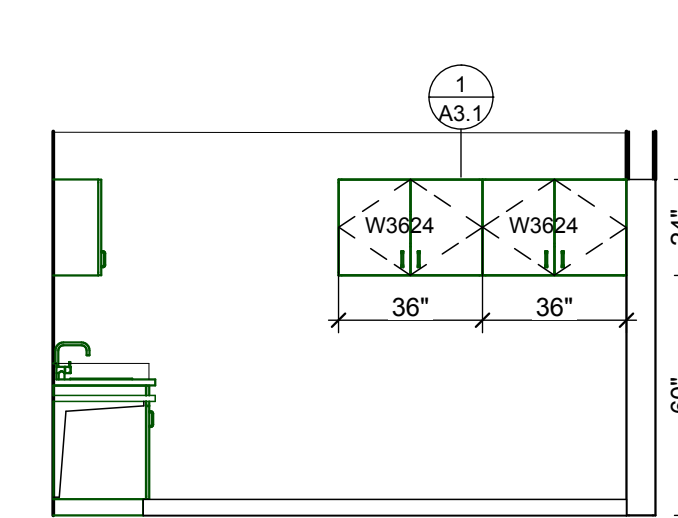
9 EXAM 2 RM 111  
A2.1 SCALE: 1/4" = 1'-0"



10 EXAM 3 RM 112  
A2.1 SCALE: 1/4" = 1'-0"



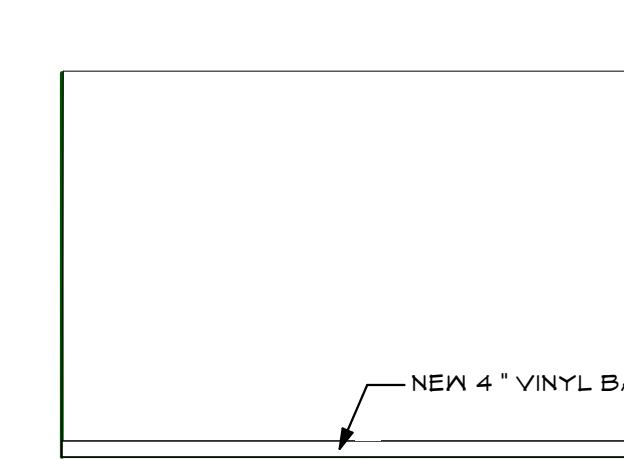
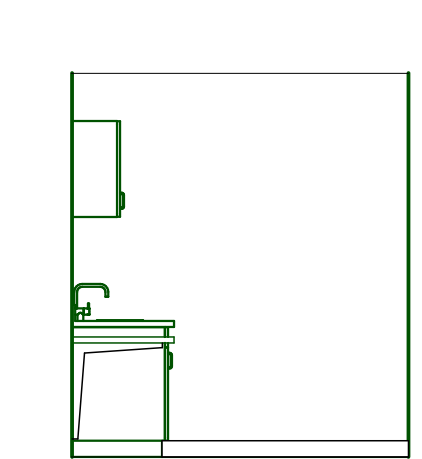
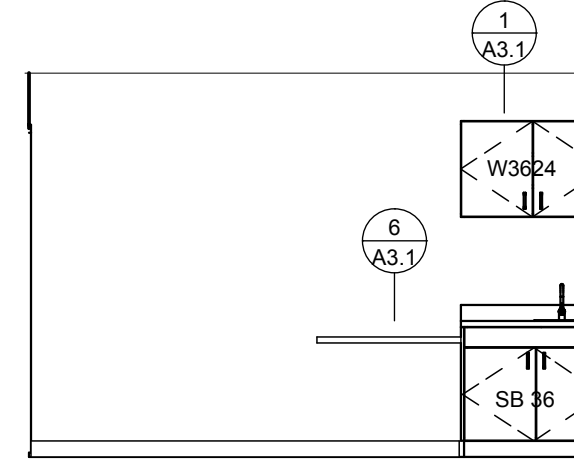
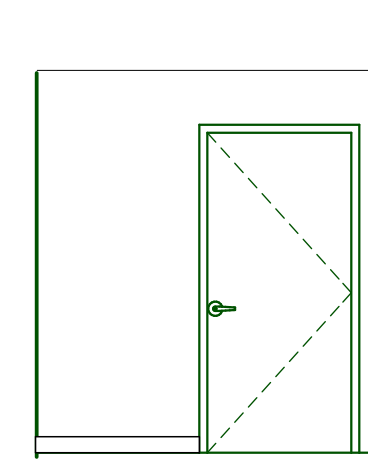
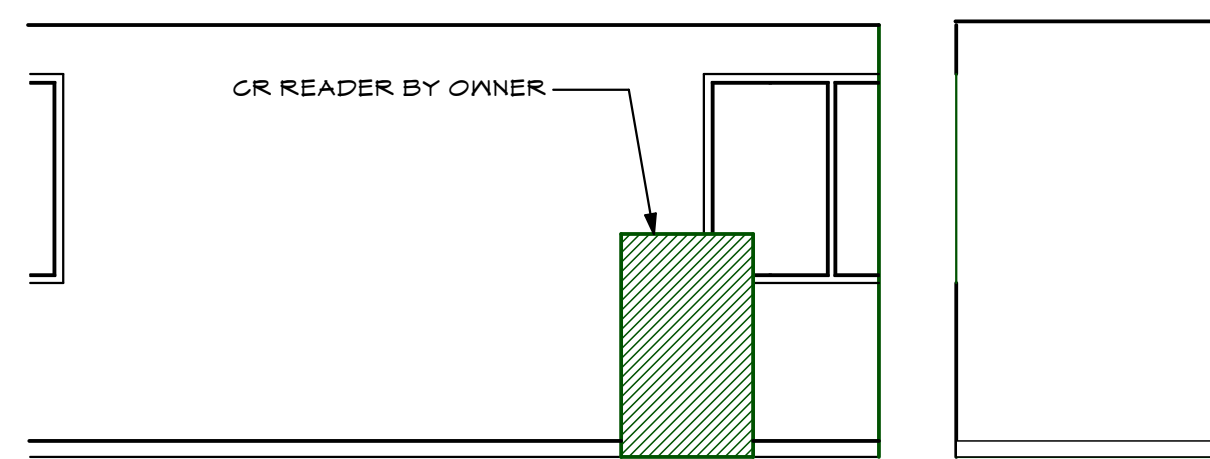
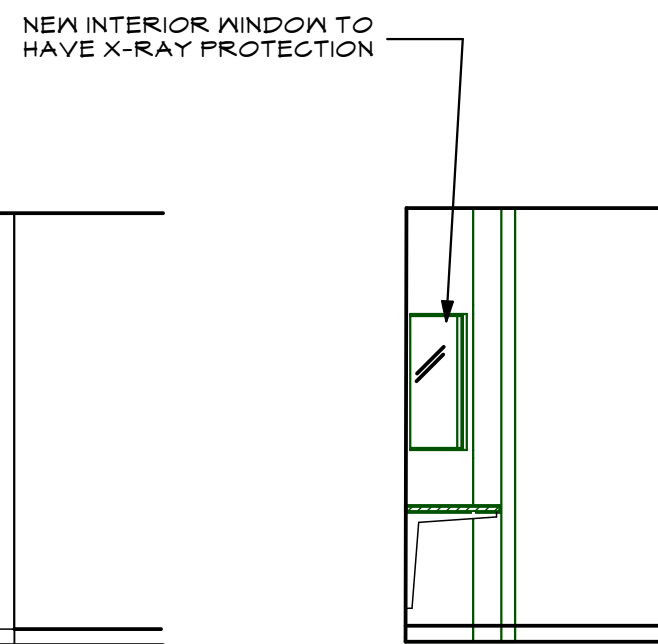
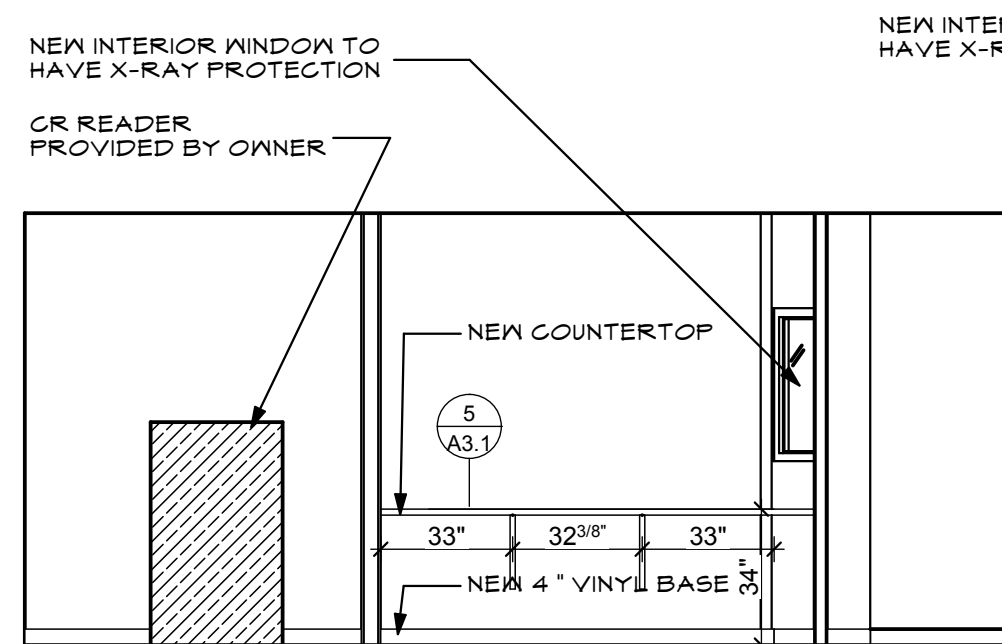
11 CAST ROOM 117  
A2.1 SCALE: 1/4" = 1'-0"



11 CAST ROOM 117  
A2.1 SCALE: 1/4" = 1'-0"

12 BIOHAZ. RM 121  
A2.1 SCALE: 1/4" = 1'-0"

13 X-RAY ROOM 122  
A2.1 SCALE: 1/4" = 1'-0"



14 X-RAY CONTROLS RM 122  
A2.1 SCALE: 1/4" = 1'-0"

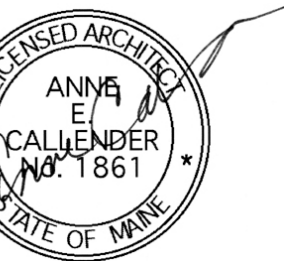
15 EXAM 4 RM 123  
A2.1 SCALE: 1/4" = 1'-0"

REVISED 8-28-17  
REVISED 5-1-17  
ISSUED FOR PERMIT  
MARCH 6, 2017

0 1/2" 1" 2"

THIS DRAWING IS AN INSTRUMENT OF SERVICE AND SHALL REMAIN THE PROPERTY OF WHIPPLE CALLENDER ARCHITECTS. IT SHALL NOT BE USED FOR ANY OTHER PURPOSE THAT FOR WHICH IT IS SPECIFICALLY FURNISHED.

MEDICAL OFFICES FOR  
NEW ENGLAND FOOT & ANKLE  
SPECIALISTS  
RENOVATIONS TO  
117 AUBURN STREET  
PORTLAND, MAINE  
04103



WHIPPLE  
CALLENDER  
ARCHITECTS

136 PLEASANT AVE.  
PORTLAND, ME 04103  
P 207.775.2696  
F 207.775.3631  
www.whipplecallender.com

DATE	DESCRIPTION
2-28-2017	ISSUED FOR STATE FIRE PERMIT
3-4-2017	ISSUED FOR PERMIT W/ SURVEY
4-4-2017	REVISION #1
4-10-2017	REVISION #2
4-25-2017	REVISION #3
5-1-2017	SECOND FLOOR TENANT FIT-UP
7-17-2017	EXTERIOR SIGNAGE & LIGHTING

DATE: 8/28/17

CHECKED BY: AEC

DRAWN BY: CLL

JOB: NEF

SHEET TITLE: INTERIOR ELEVATIONS

A2.1