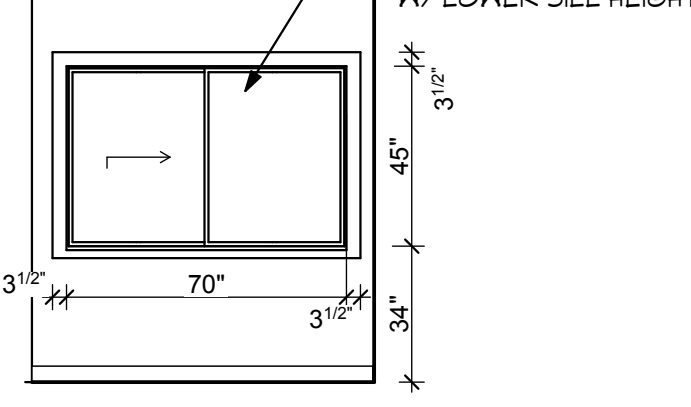
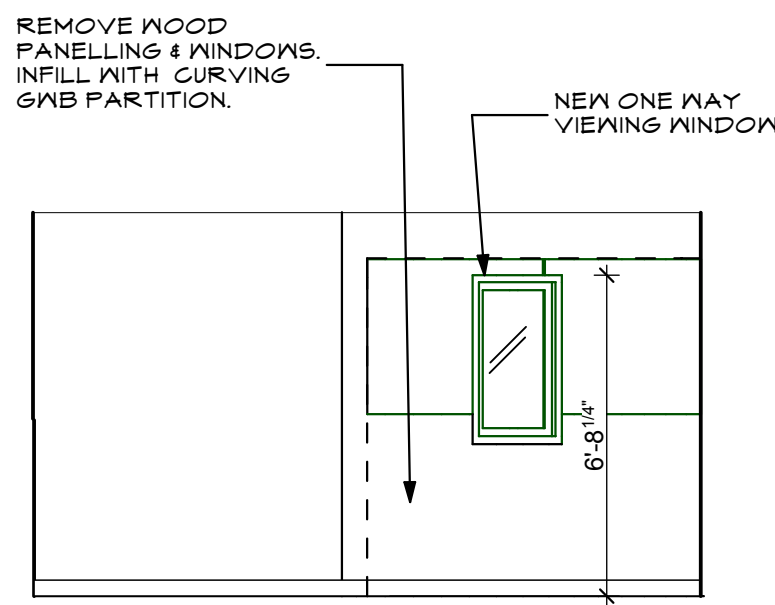


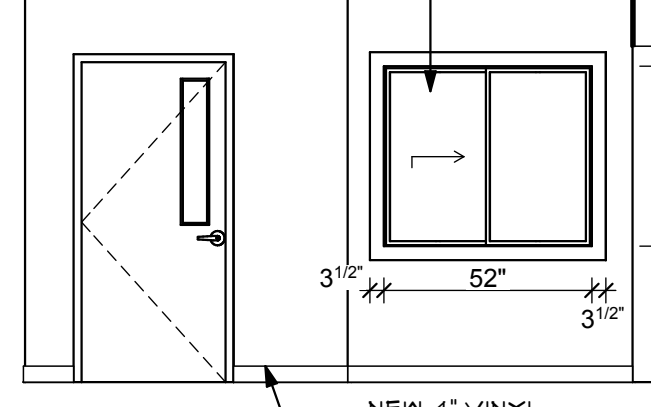
1 ENTRY RM 101
A2.1 SCALE: 1/4" = 1'-0"



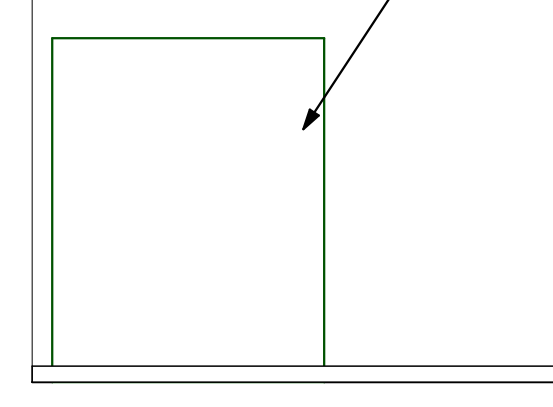
2 WAITING ROOM 102
A2.1 SCALE: 1/4" = 1'-0"



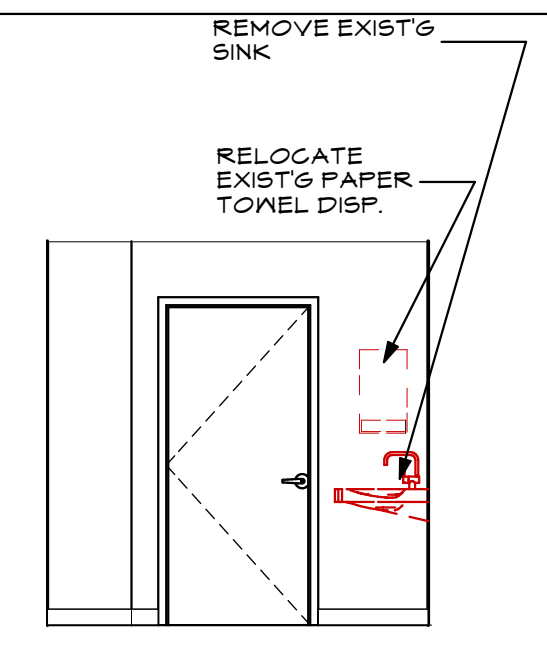
3 WAITING RM 102
A2.1 SCALE: 1/4" = 1'-0"



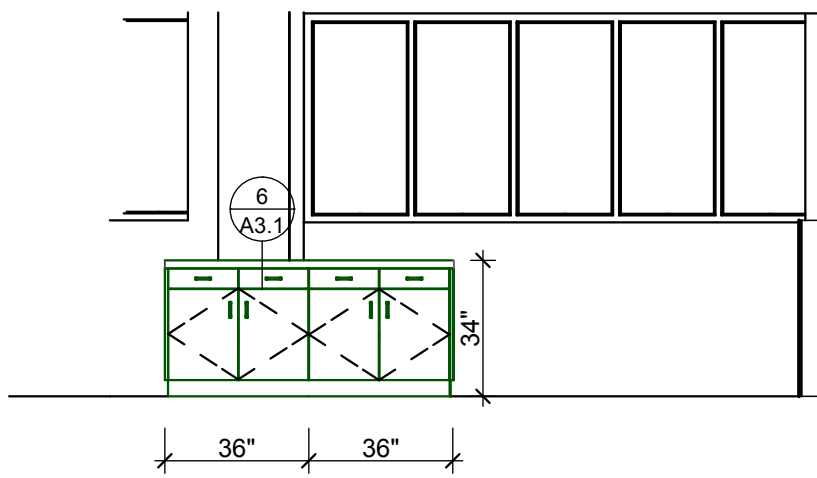
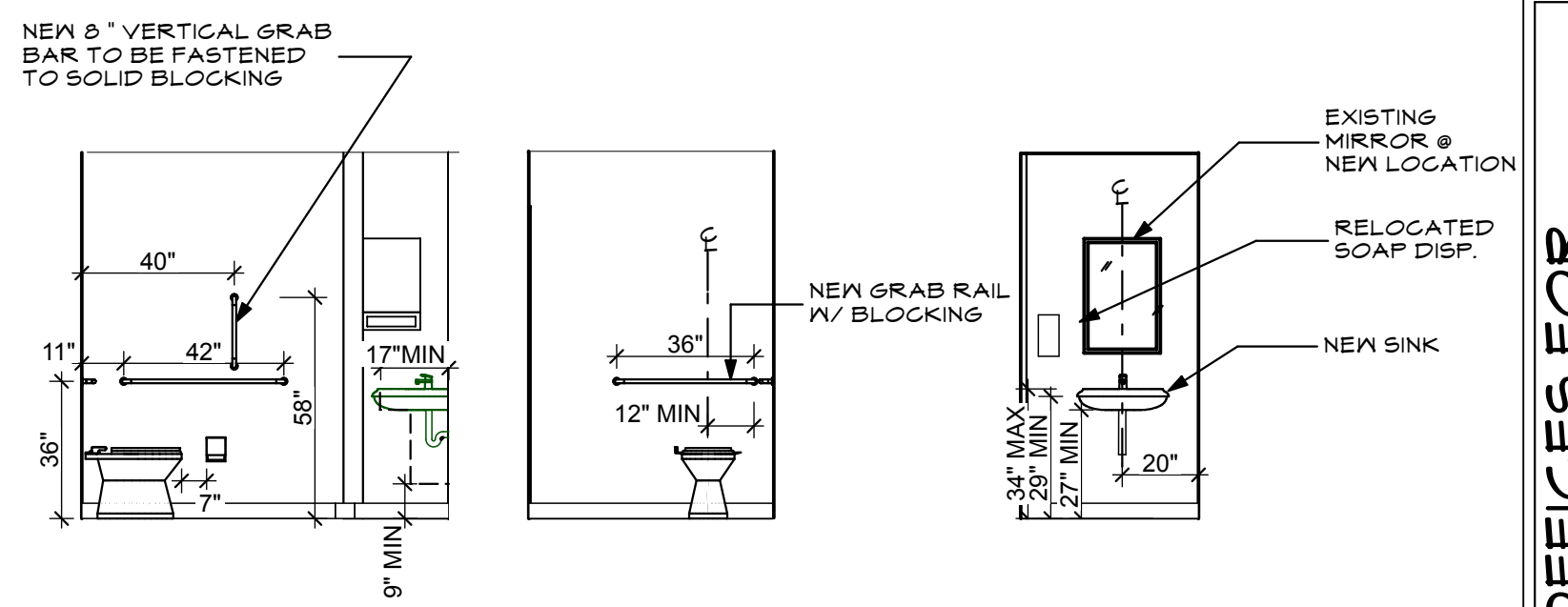
4 WAITING RM 102
A2.1 SCALE: 1/4" = 1'-0"



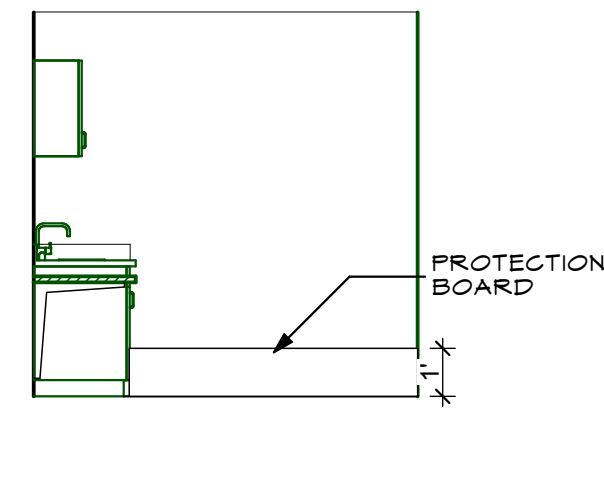
5 WAITING RM 102
A2.1 SCALE: 1/4" = 1'-0"



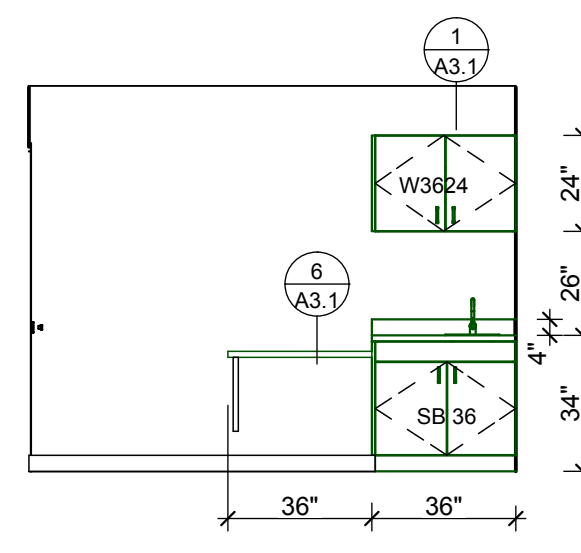
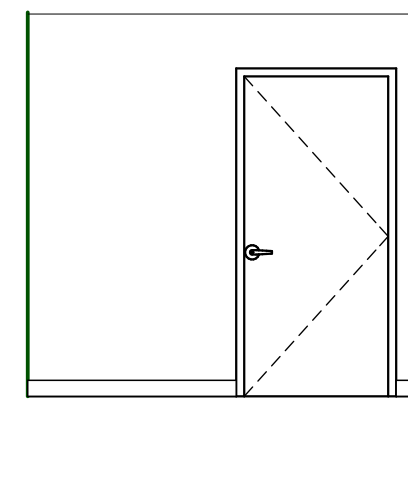
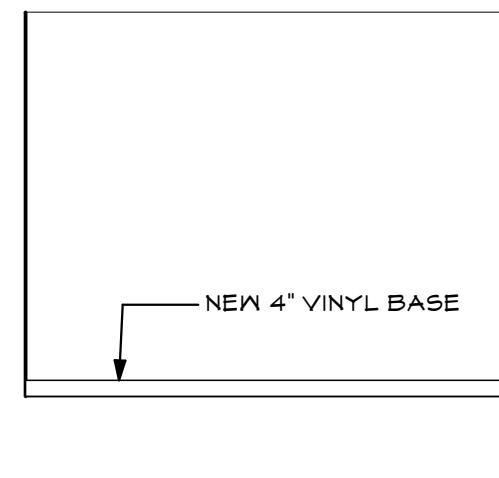
6 TOILET 104
A2.1 SCALE: 1/4" = 1'-0"



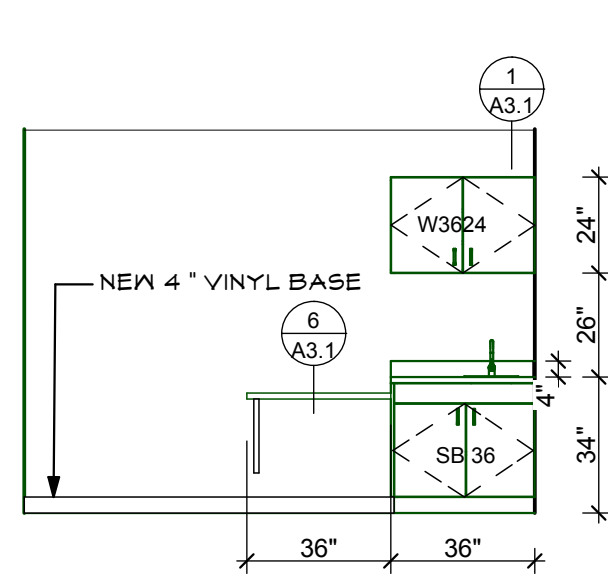
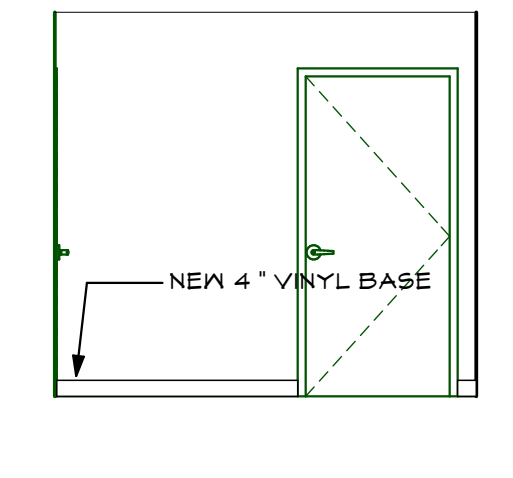
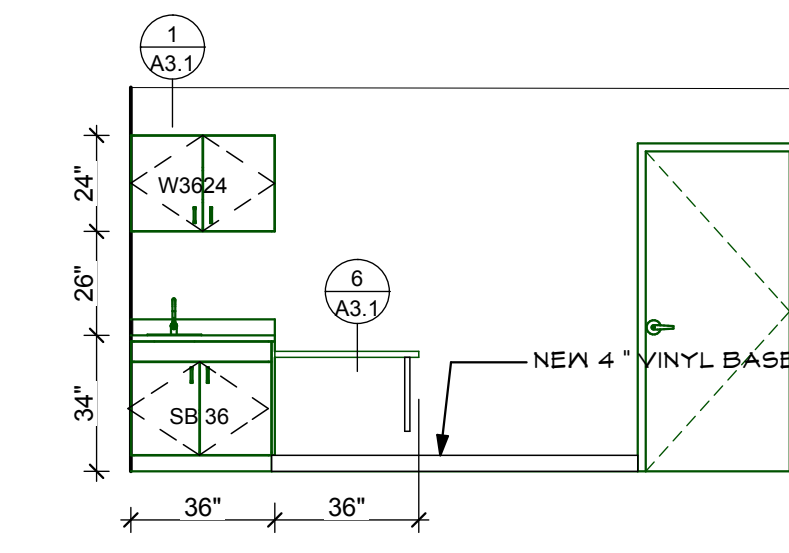
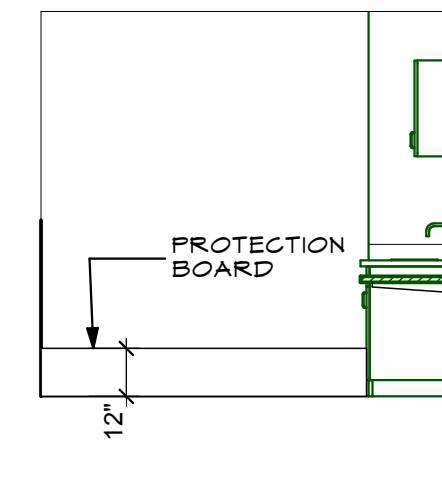
7 WORK ROOM
A2.1 SCALE: 1/4" = 1'-0"



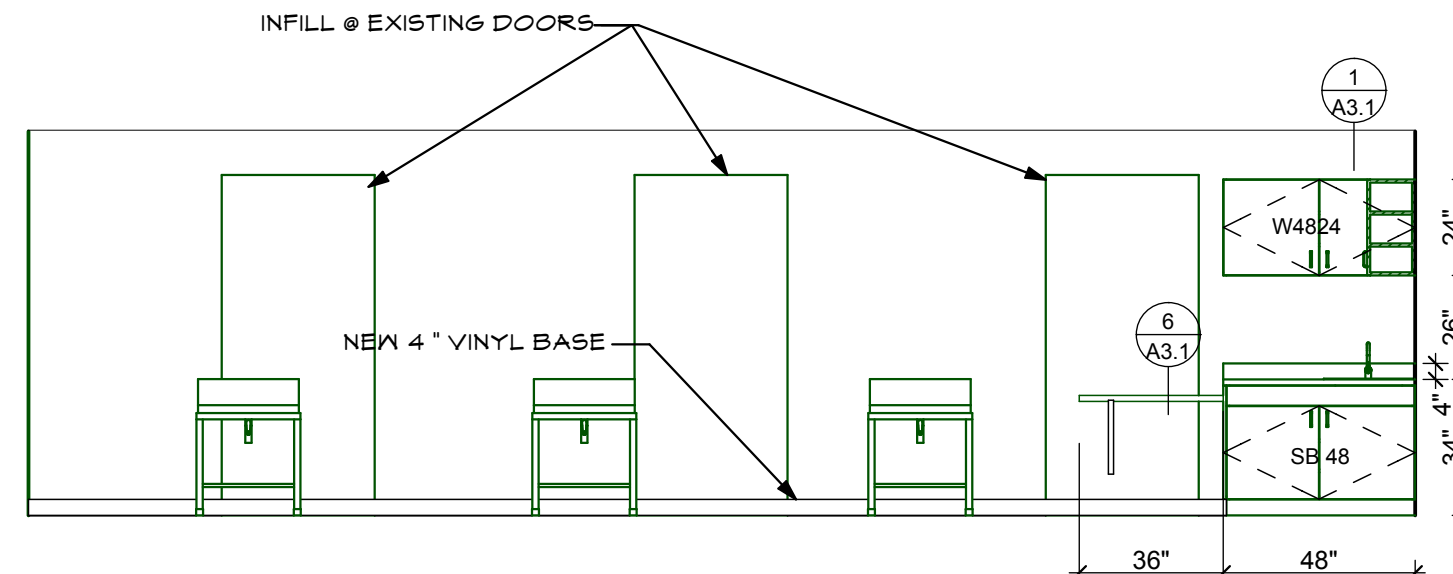
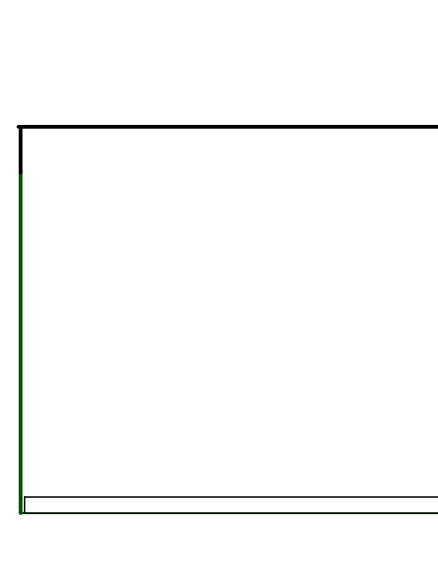
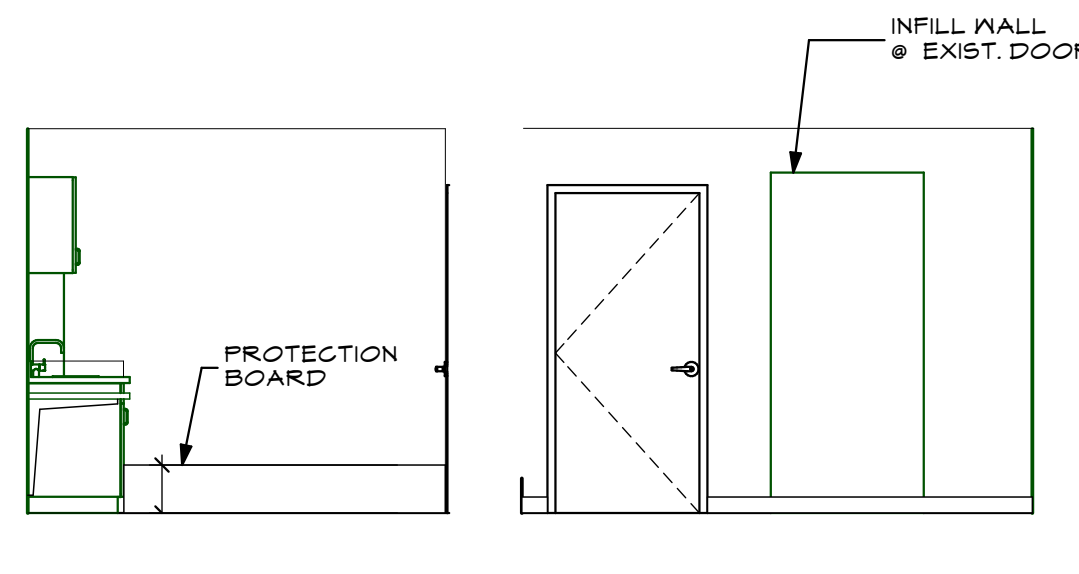
8 EXAM 1 RM 109
A2.1 SCALE: 1/4" = 1'-0"



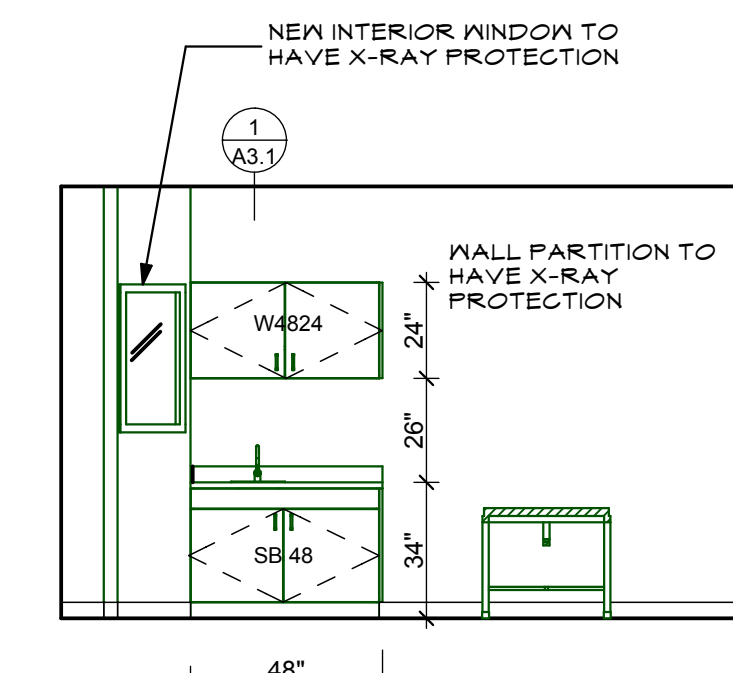
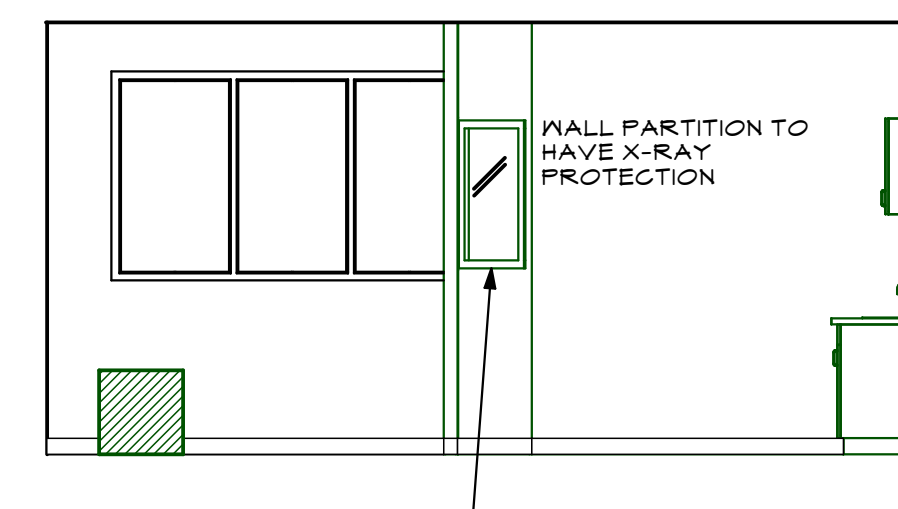
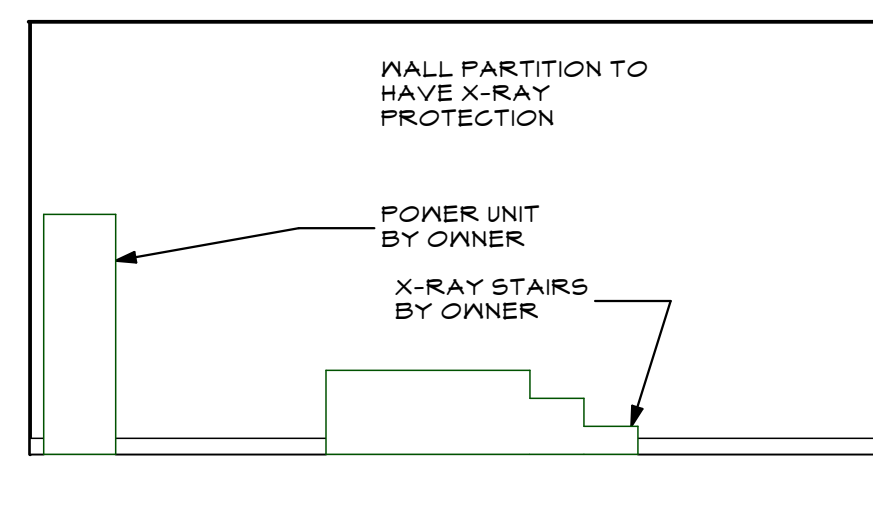
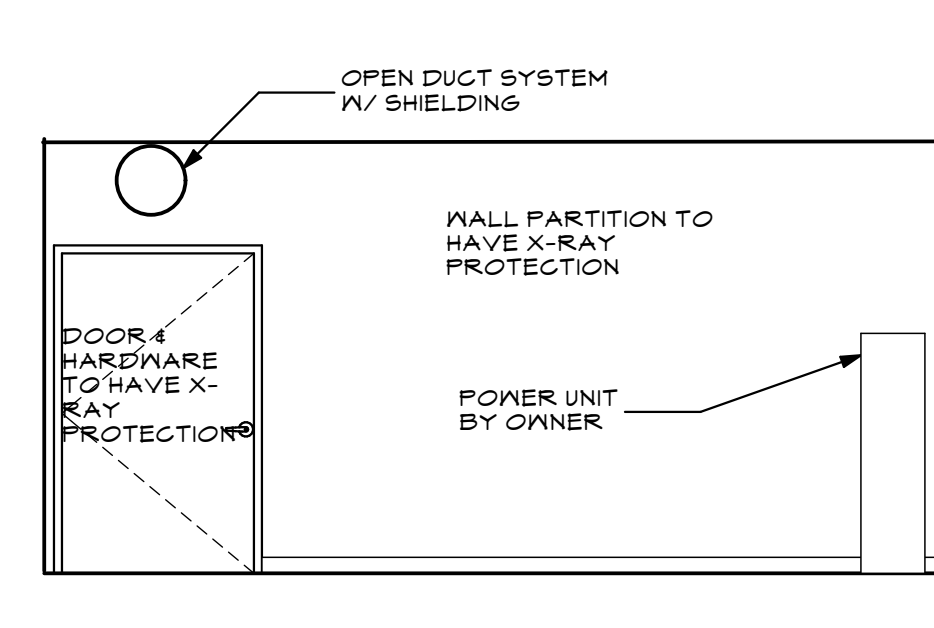
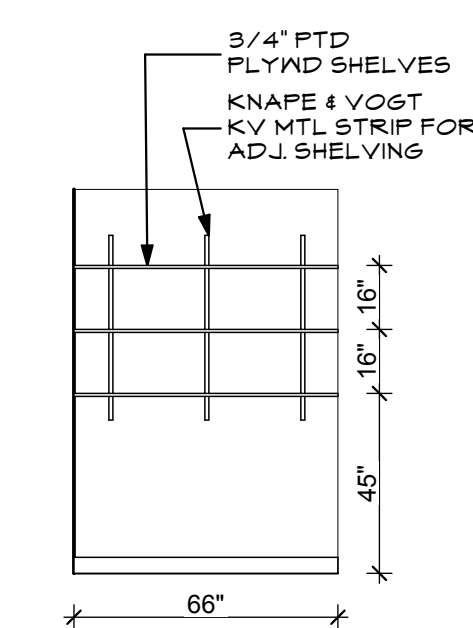
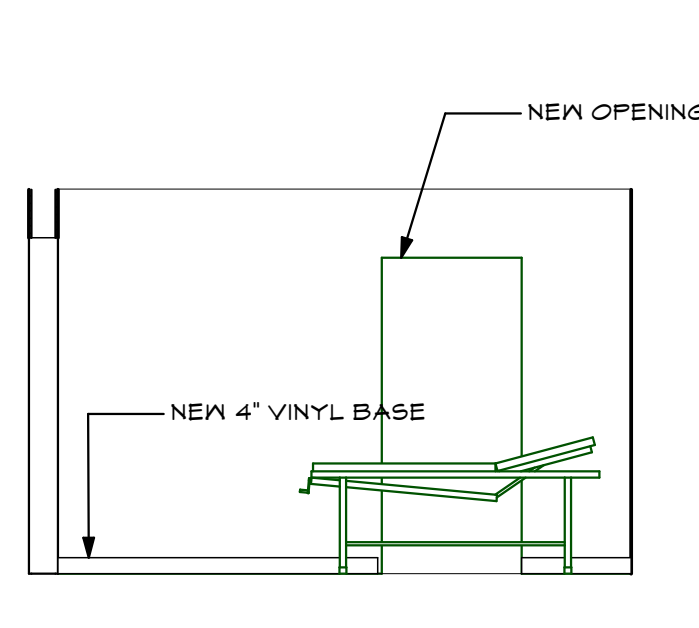
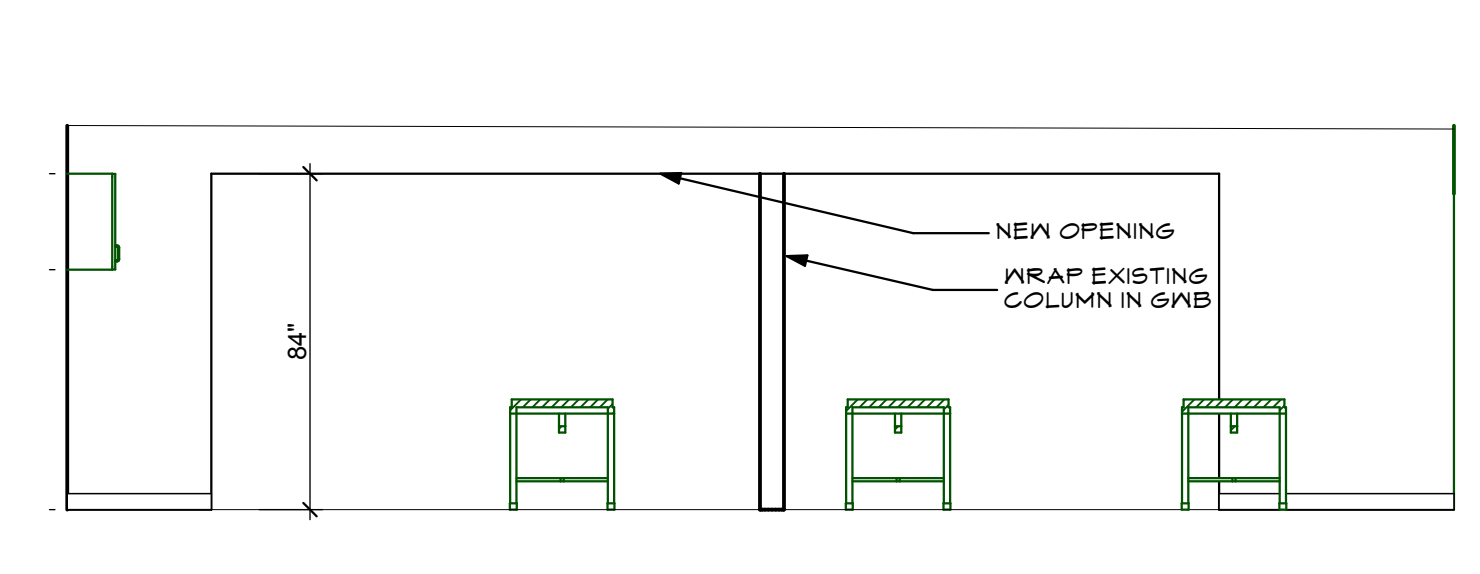
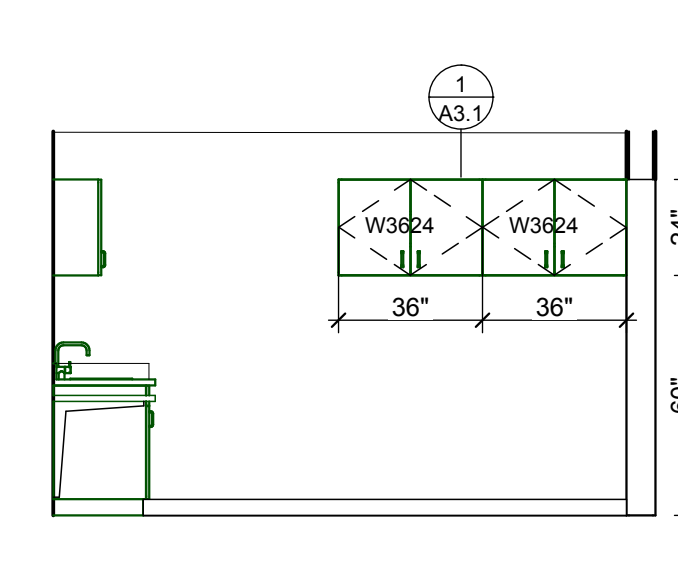
9 EXAM 2 RM 111
A2.1 SCALE: 1/4" = 1'-0"



10 EXAM 3 RM 112
A2.1 SCALE: 1/4" = 1'-0"



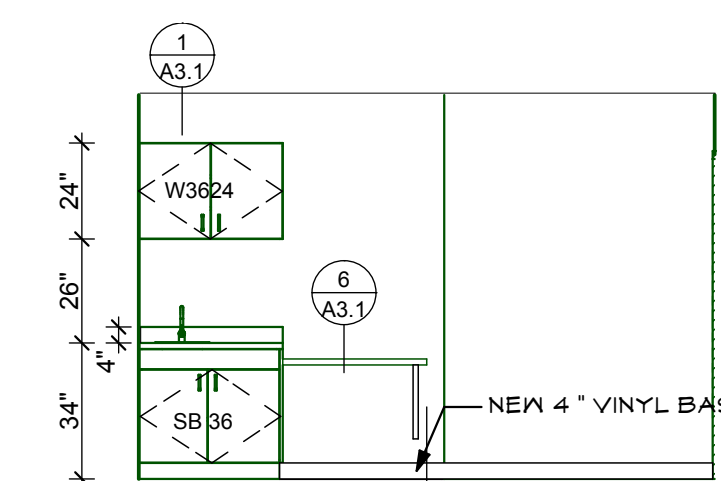
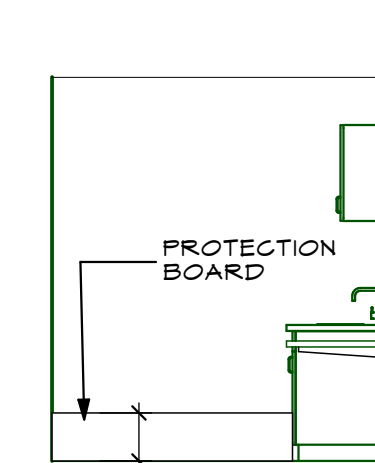
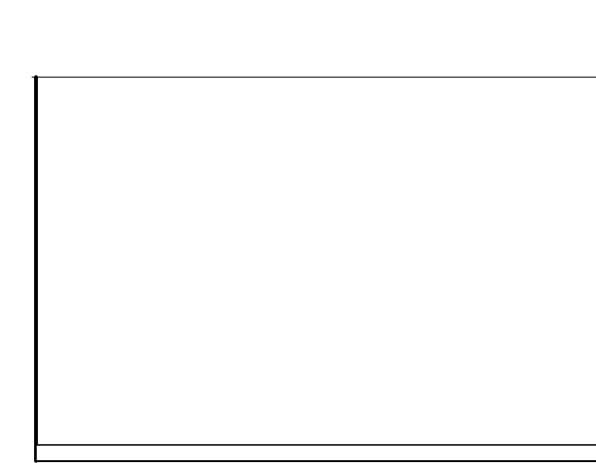
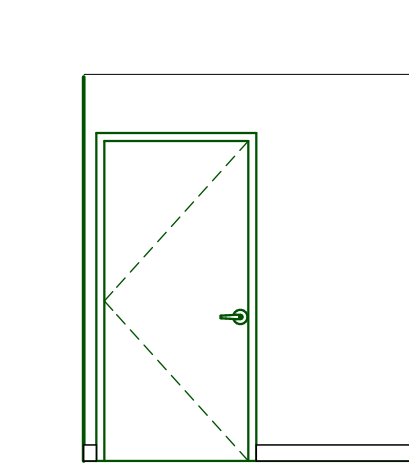
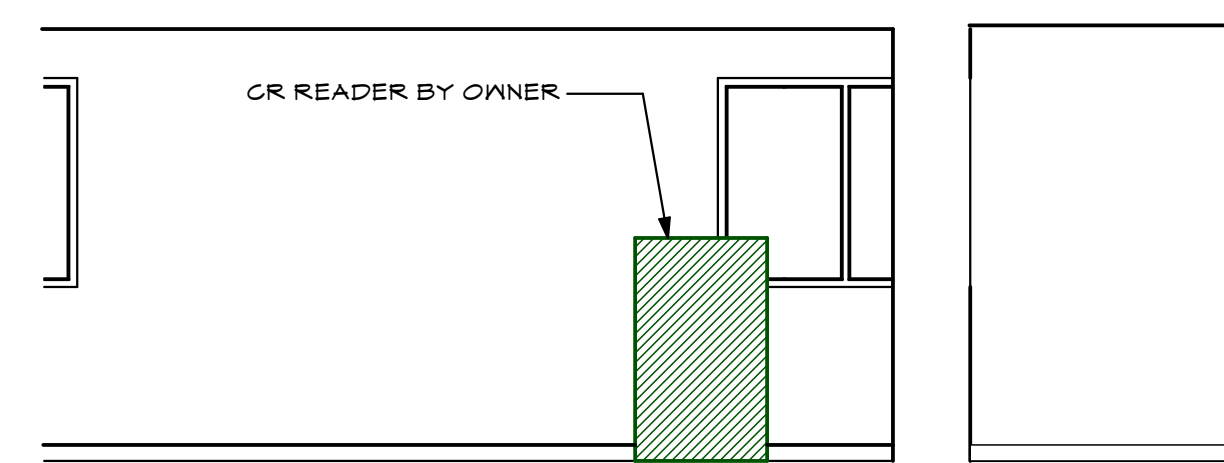
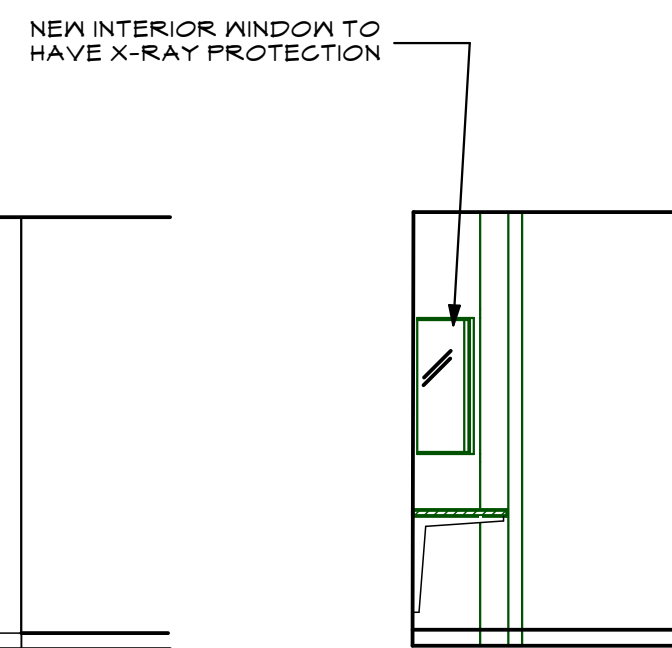
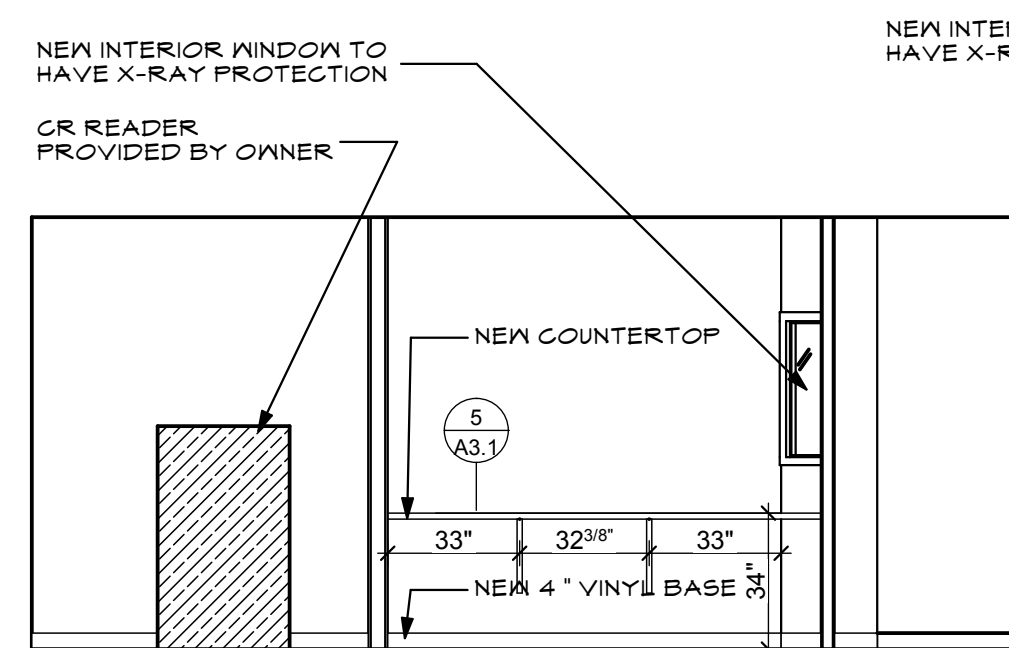
11 CAST ROOM 117
A2.1 SCALE: 1/4" = 1'-0"



11 CAST ROOM 117
A2.1 SCALE: 1/4" = 1'-0"

12 BIOHAZ RM 121
A2.1 SCALE: 1/4" = 1'-0"

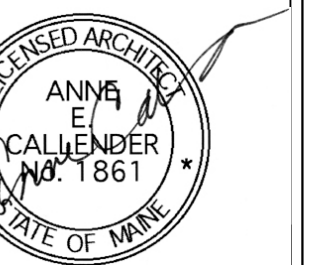
13 X-RAY ROOM 122
A2.1 SCALE: 1/4" = 1'-0"



14 X-RAY CONTROLS RM 122
A2.1 SCALE: 1/4" = 1'-0"

15 EXAM 4 RM 123
A2.1 SCALE: 1/4" = 1'-0"

MEDICAL OFFICES FOR
NEW ENGLAND FOOT & ANKLE
SPECIALISTS
RENOVATIONS TO
117 AUBURN STREET
PORTLAND, MAINE
04103



WHIPPLE
CALLENDER
ARCHITECTS

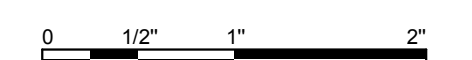
136 PLEASANT AVE.
PORTLAND, ME 04103
P 207.775.3696
F 207.775.3631
www.whipplecallender.com

DATE	DESCRIPTION
2-28-2017	ISSUED FOR STATE FIRE PERMIT
3-14-2017	ISSUED FOR PERMIT W/ SURVEY

DATE: 3/6/17
CHECKED BY: AEC
DRAWN BY: CLL
JOB: NEF
SHEET TITLE: INTERIOR ELEVATIONS

ISSUED FOR PERMIT
MARCH 6, 2017

A2.1



THIS DRAWING IS AN INSTRUMENT OF SERVICE AND SHALL REMAIN THE PROPERTY OF WHIPPLE CALLENDER ARCHITECTS. IT SHALL NOT BE USED FOR ANY OTHER PURPOSE THAT FOR WHICH IT IS SPECIFICALLY FURNISHED.