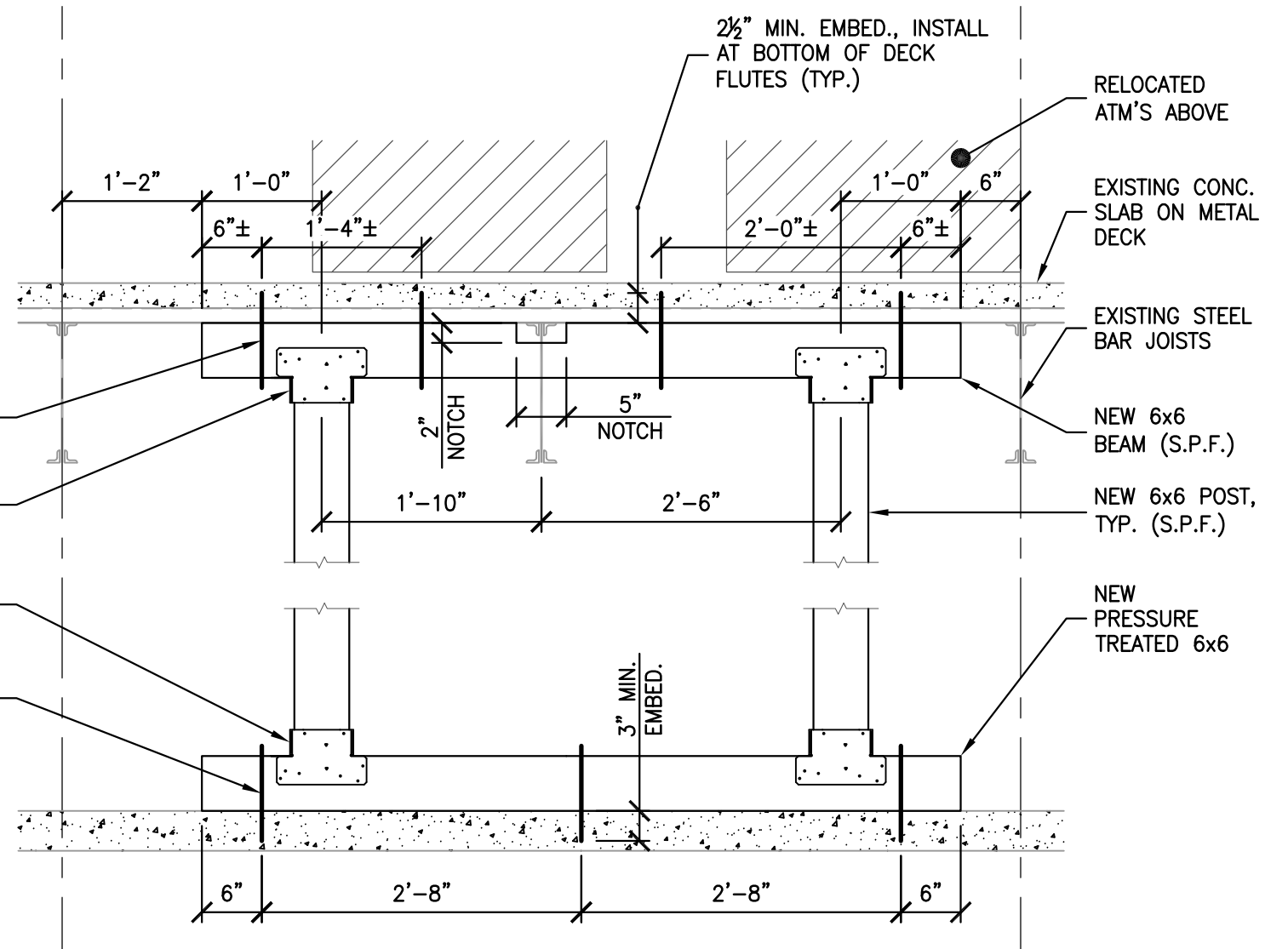


- (4) - 1/2" Ø x 8 1/2" SIMPSON STRONG-BOLT 2 ANCHORS
- SIMPSON AC6 CAP EA. SIDE OF POST (TYP.)
- SIMPSON AC6 CAP EA. SIDE OF POST (TYP.)
- (3) - 1/2" Ø x 8 1/2" SIMPSON STRONG-BOLT 2 ANCHORS



PARTIAL FLOOR FRAMING PLAN

SCALE: 1/4" = 1'-0"

GENERAL NOTES:

- G-1 Structural drawings shall be used in conjunction with the architectural, mechanical, electrical and shop drawings, and specifications.
- G-2 All dimensions and conditions must be verified in the field by the Contractor. Any discrepancies between these drawings and as-built conditions shall be brought to the attention of the Structural Engineer before proceeding with any work.
- G-3 Sections, details, notes, methods, or materials shown and/or noted on any plan, section, or elevation shall apply to all other similar locations unless noted otherwise.
- G-4 The contractor shall be responsible for all shoring and bracing required during construction. Temporary supports required for stability during all intermediate stages of construction shall be designed, furnished, and installed by the Contractor.

1 DETAIL

SCALE: 3/4" = 1'-0"

Copyright 2014 © Thomas F. Moran, Inc.
48 Constitution Drive, Bedford, N.H. 03110

All rights reserved. These plans and materials may not be copied, duplicated, replicated or otherwise reproduced in any form whatsoever without the prior written permission of Thomas F. Moran, Inc.

This plan is not effective unless signed by a duly authorized officer of Thomas F. Moran, Inc.

TFM
Structural
Engineers

48 Constitution Drive
Bedford, NH 03110
Phone (603) 472-4488
Fax (603) 472-9747
www.tfmoran.com

Bank of America
39 Auburn Street
Portland, ME 04103

PREPARED FOR
Gensler

FLOOR SHORING AT ATM

REFERENCE DWG	-	TFM JOB No.	34345.14
DATE	08/13/14	SCALE	AS NOTED
		DR. BY	ESP

S1.00