

Issue #	Issue Date	Issue Description
1	08/15/2014	ISSUE FOR BID AND PERMIT

Seal/Signature _____

Project Name
ADA UPGRADES

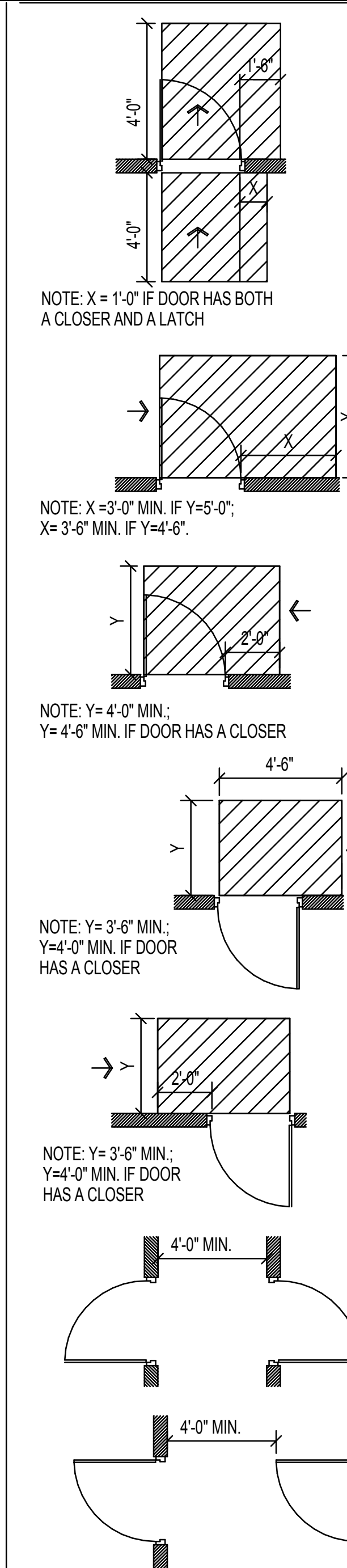
Project Number
11.6560.125

Description
TYPICAL ADA INFORMATION

Scale
1/2" = 1'-0"

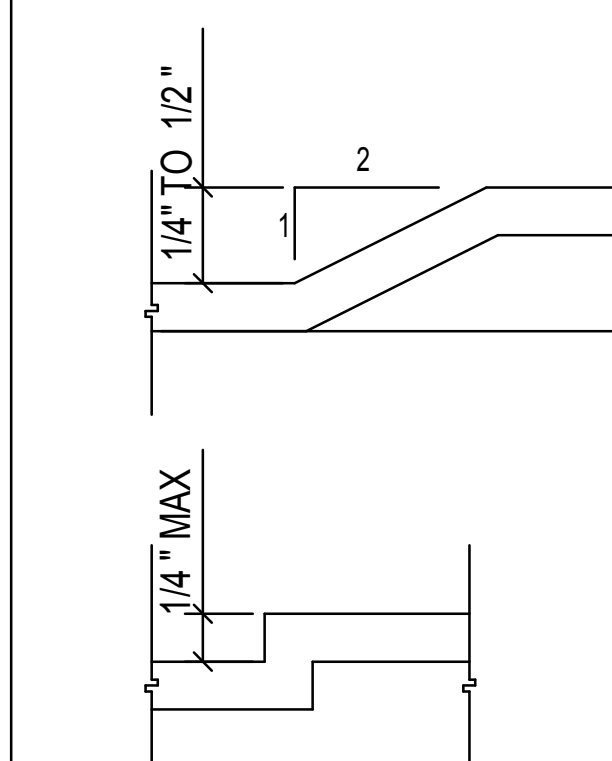
A00.40

© 2014 Gensler



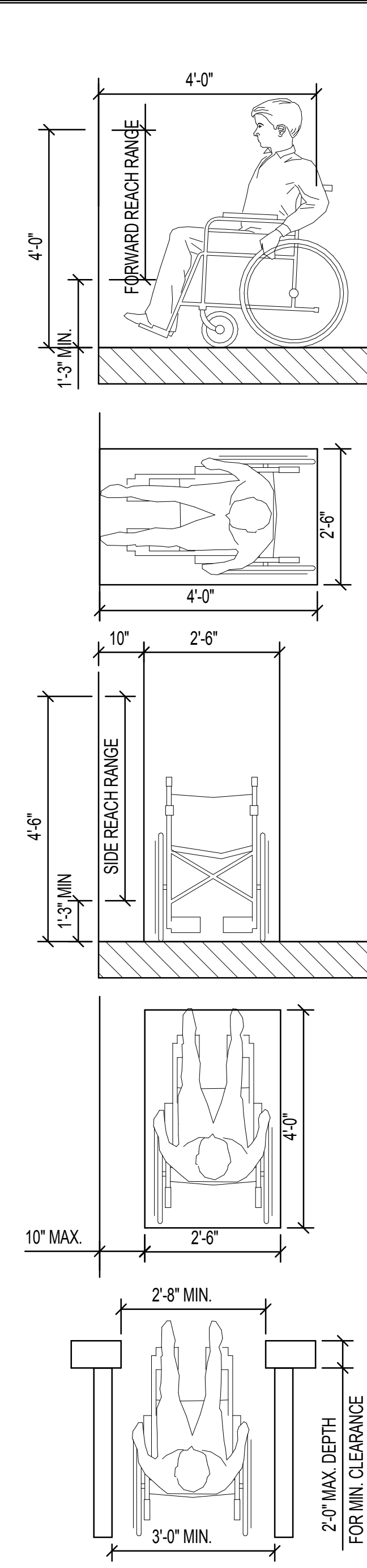
CLEARANCES 01

SCALE: 1/2" = 1'-0"



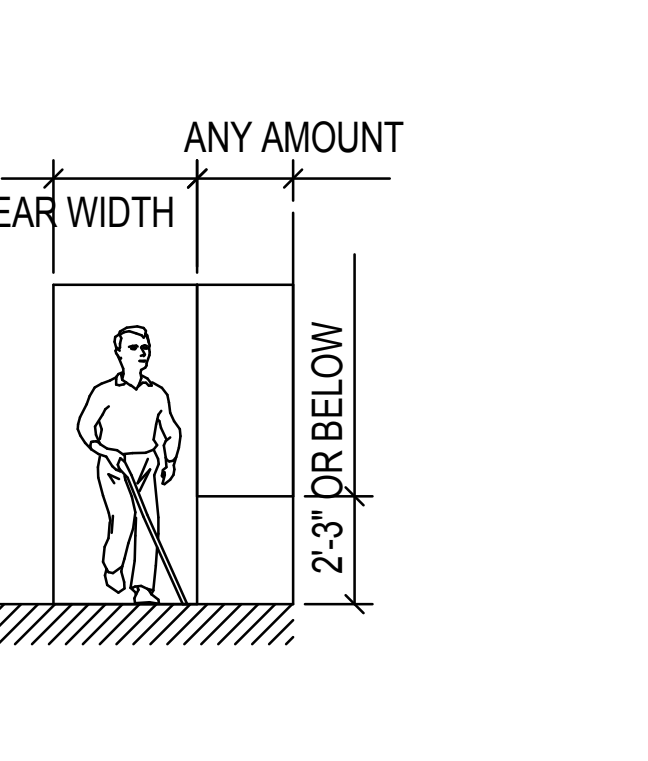
THRESHOLDS 02

SCALE: FULL



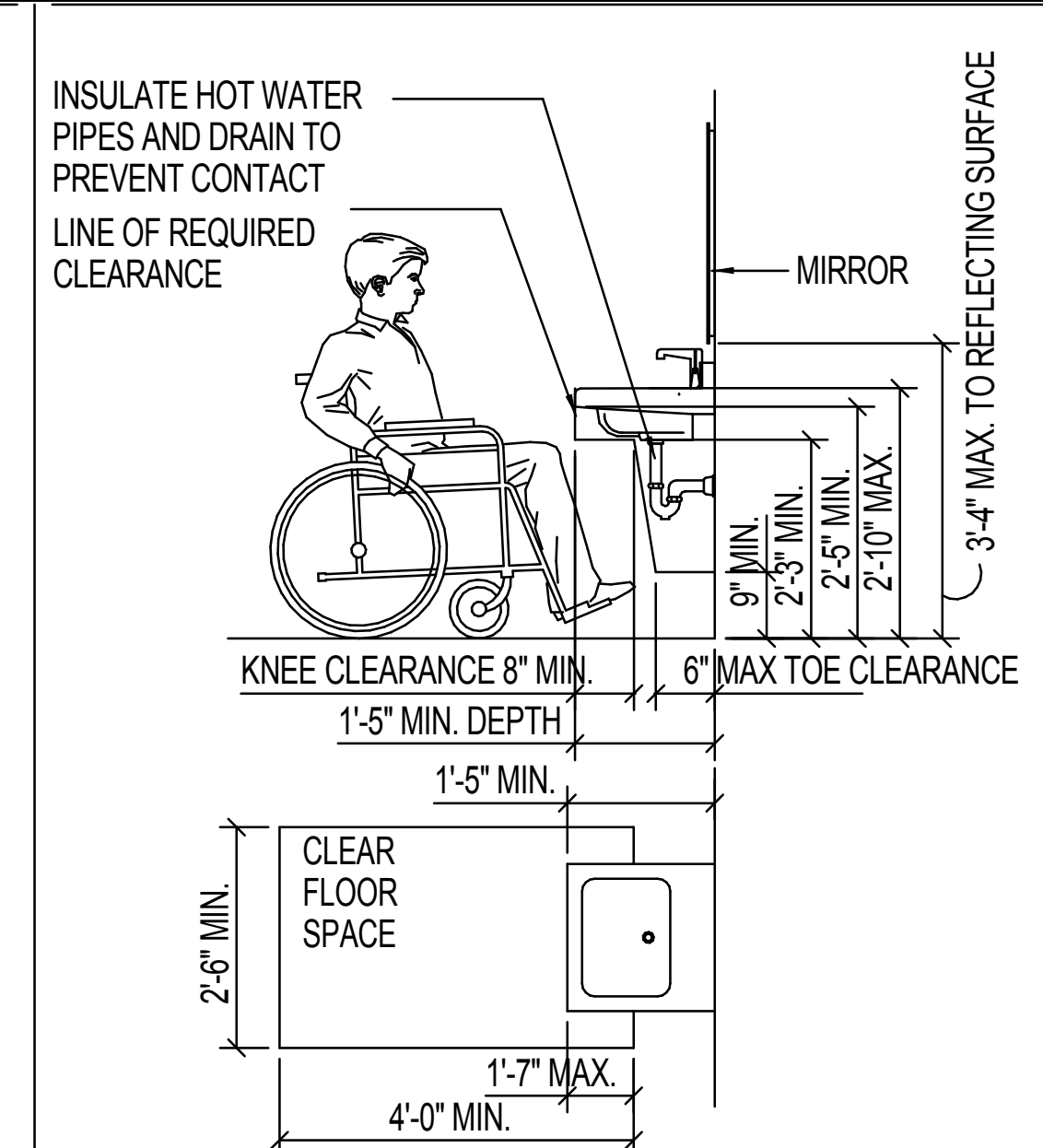
REACH RANGES 04

SCALE: 1/2" = 1'-0"



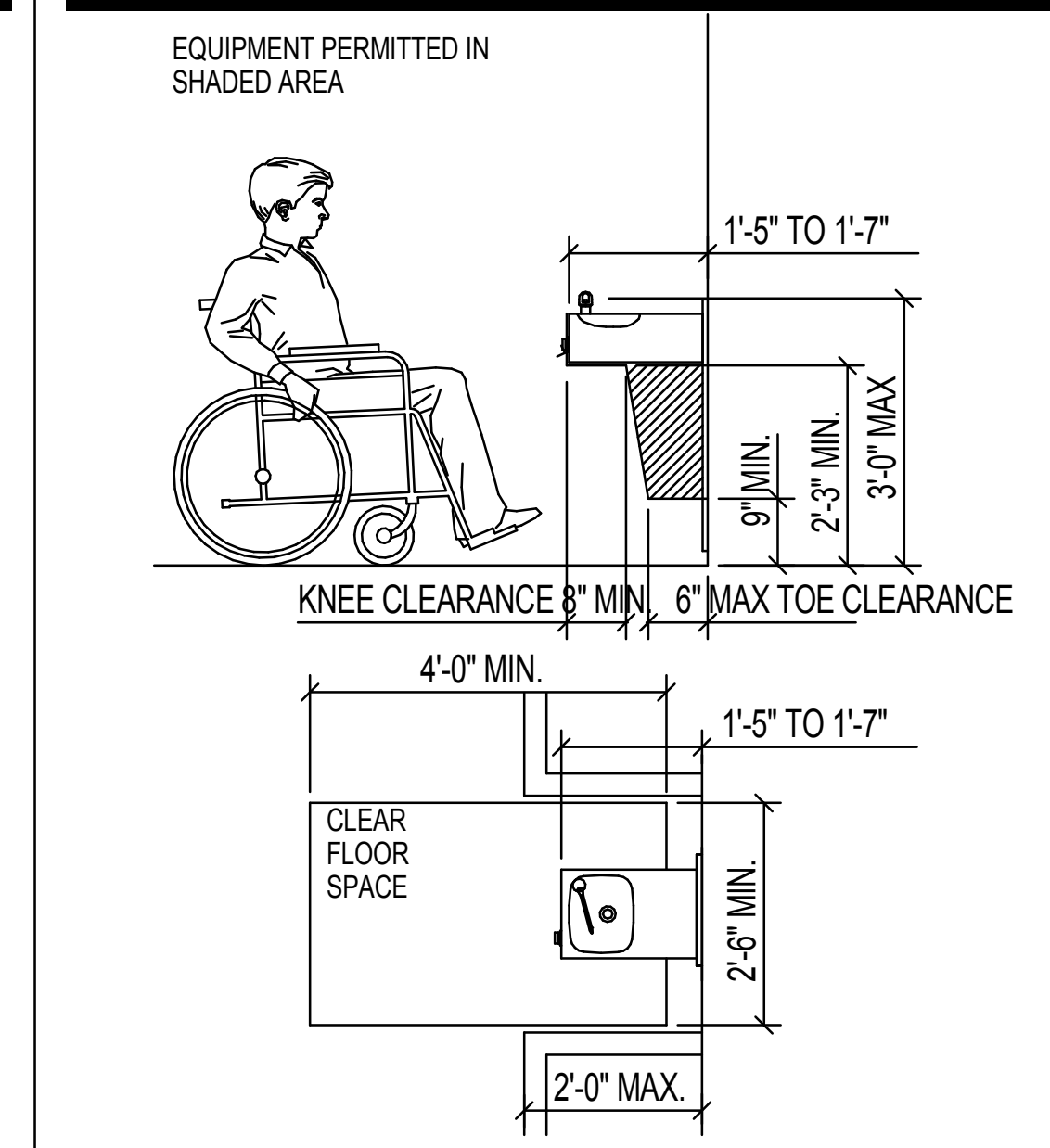
PROTRUDING OBJECTS 05

SCALE: 1/4" = 1'-0"



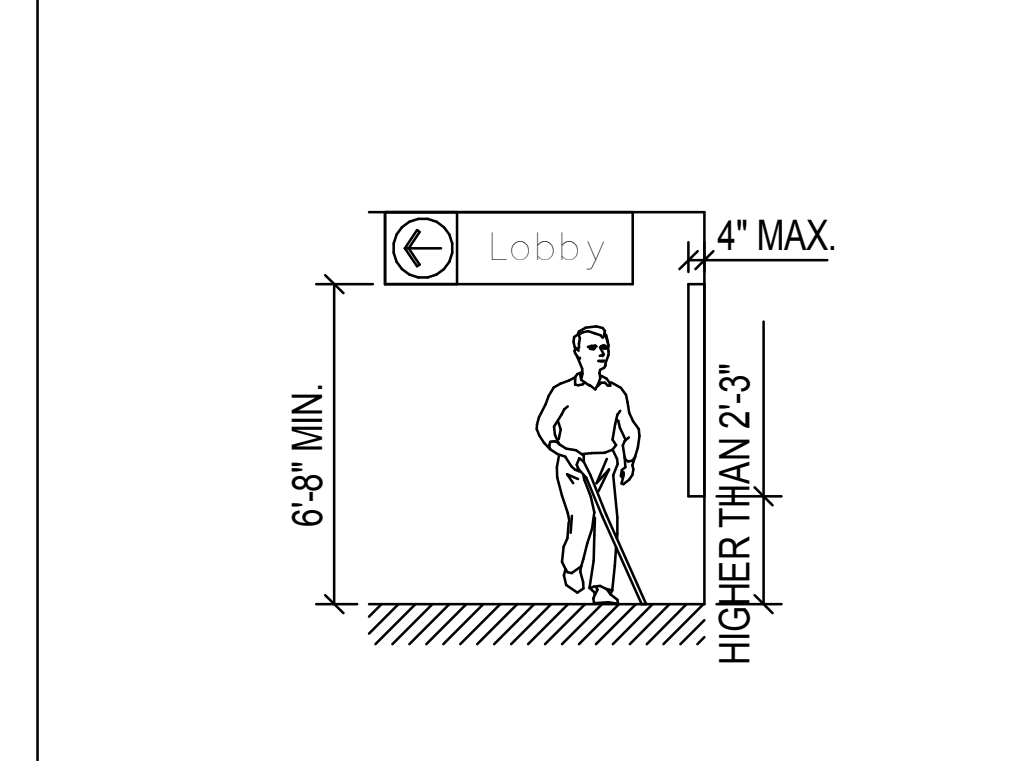
SINK OR VANITY 06

SCALE: 1/2" = 1'-0"



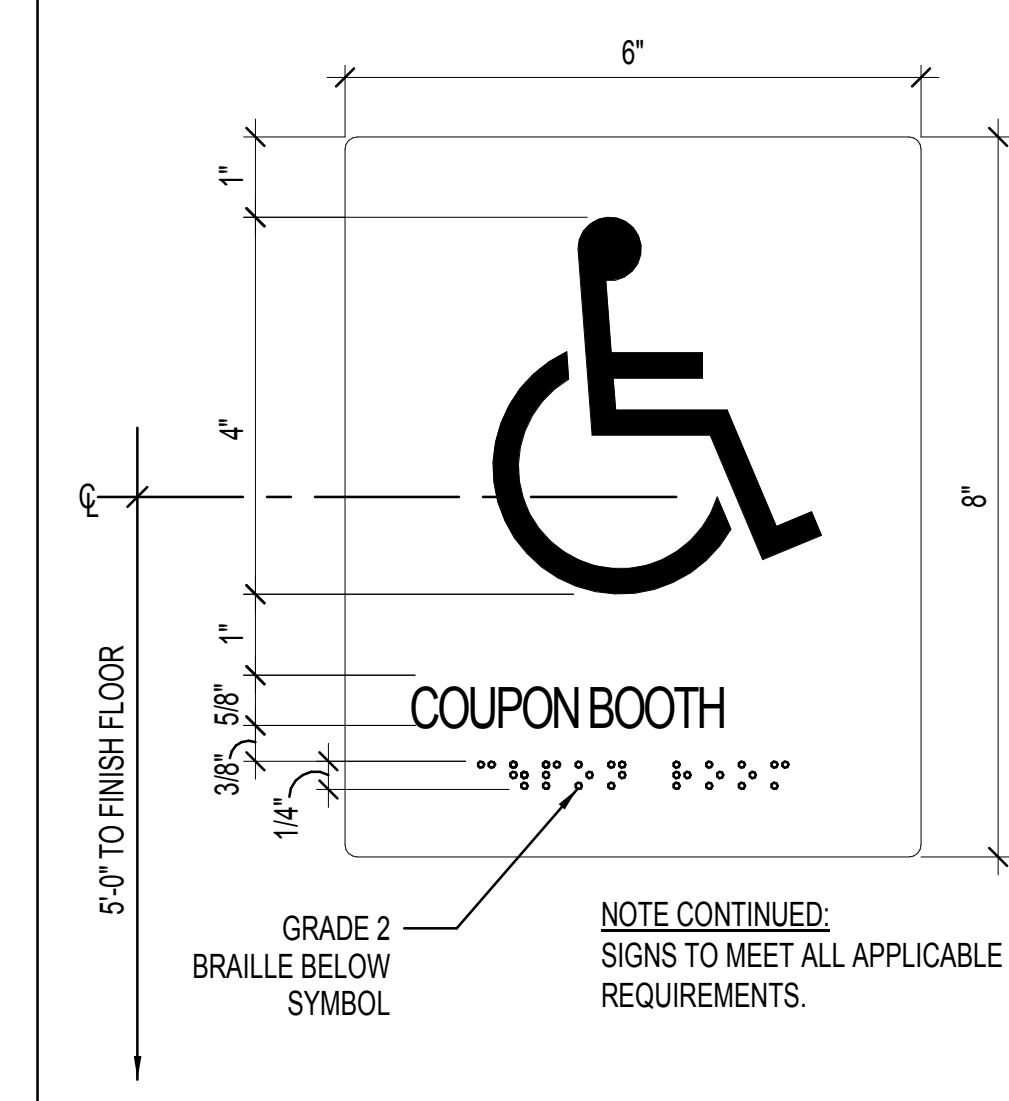
DRINKING FOUNTAIN 07

SCALE: 1/2" = 1'-0"



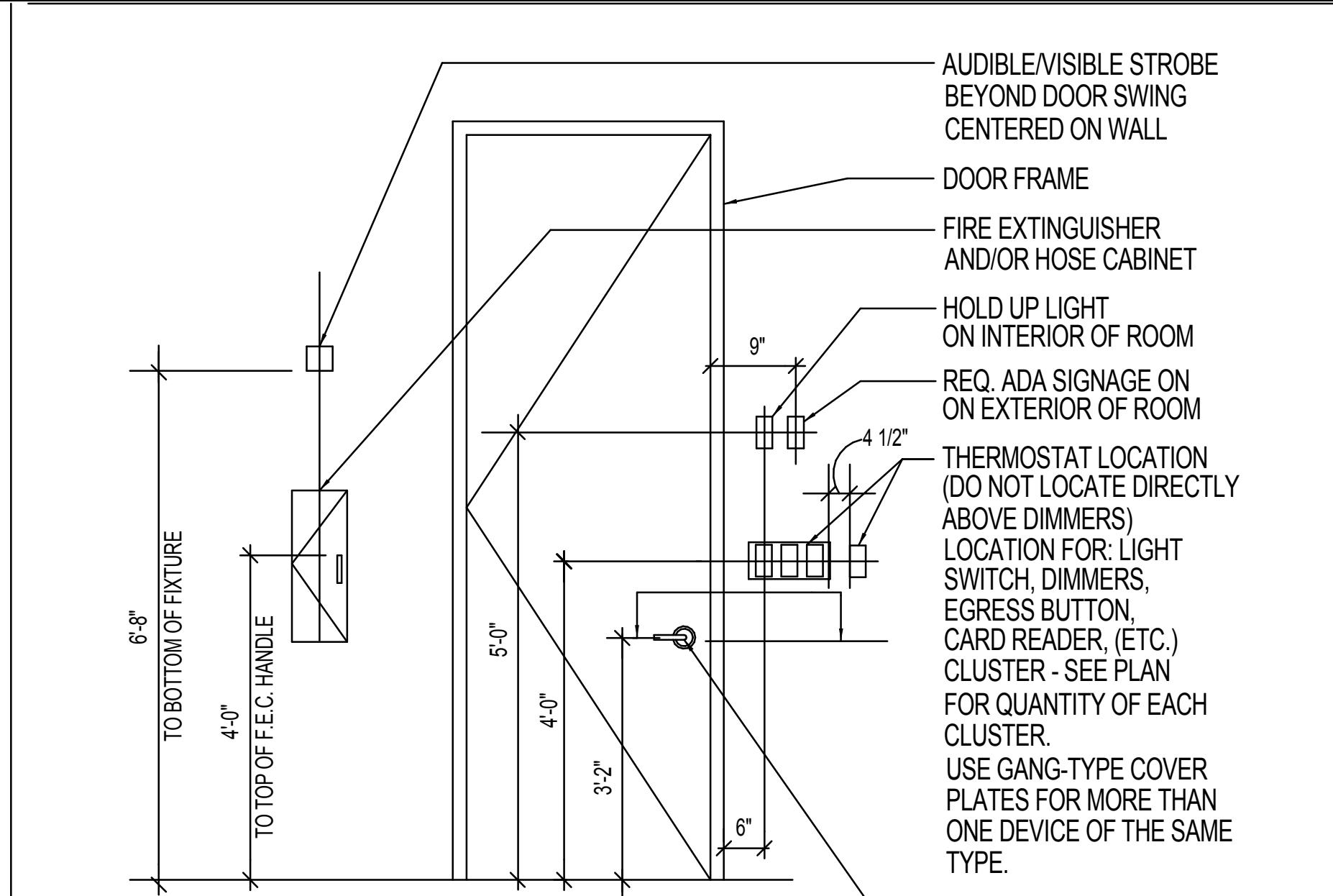
WAYFINDING SIGNAGE 08

SCALE: 1/4" = 1'-0"



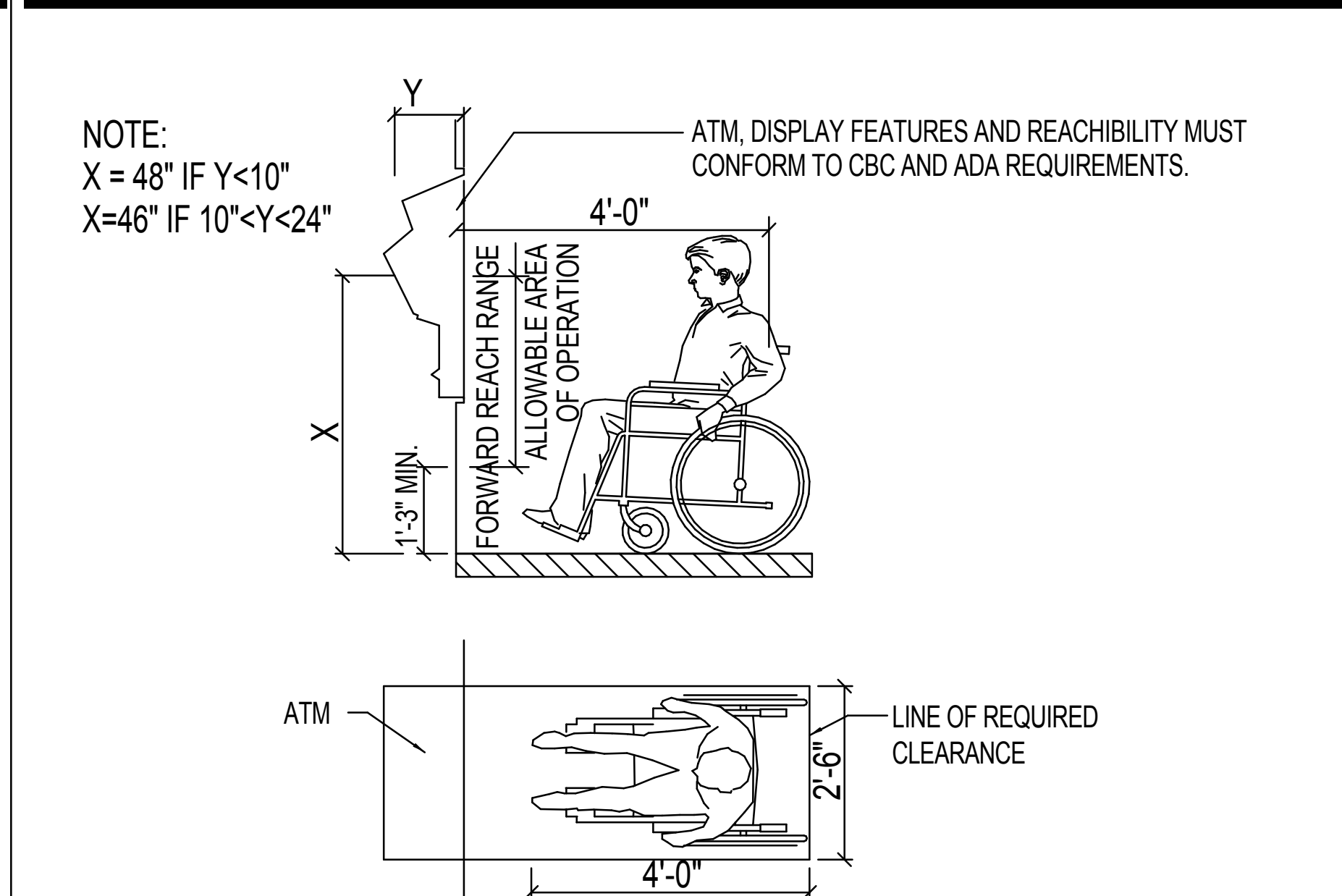
WAYFINDING SIGNAGE 08

SCALE: 1/4" = 1'-0"



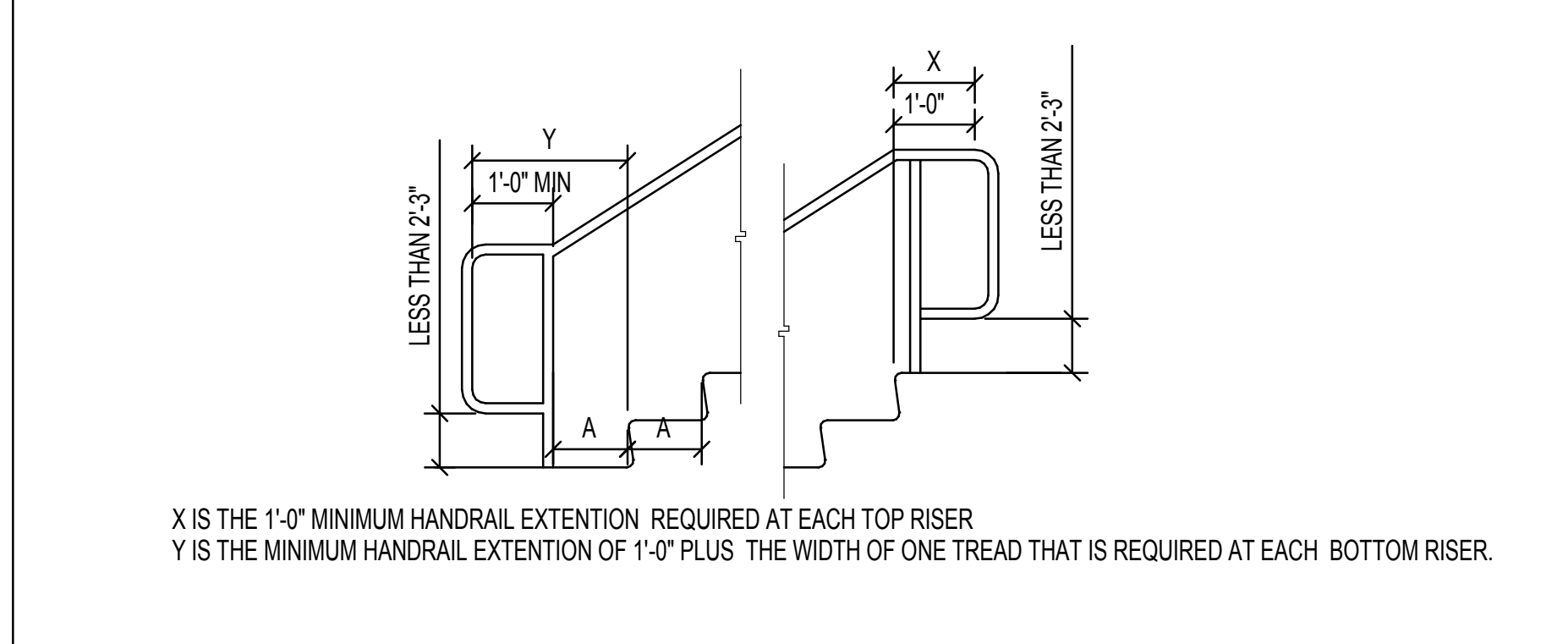
TYPICAL MOUNTING HEIGHTS 08

SCALE: NTS



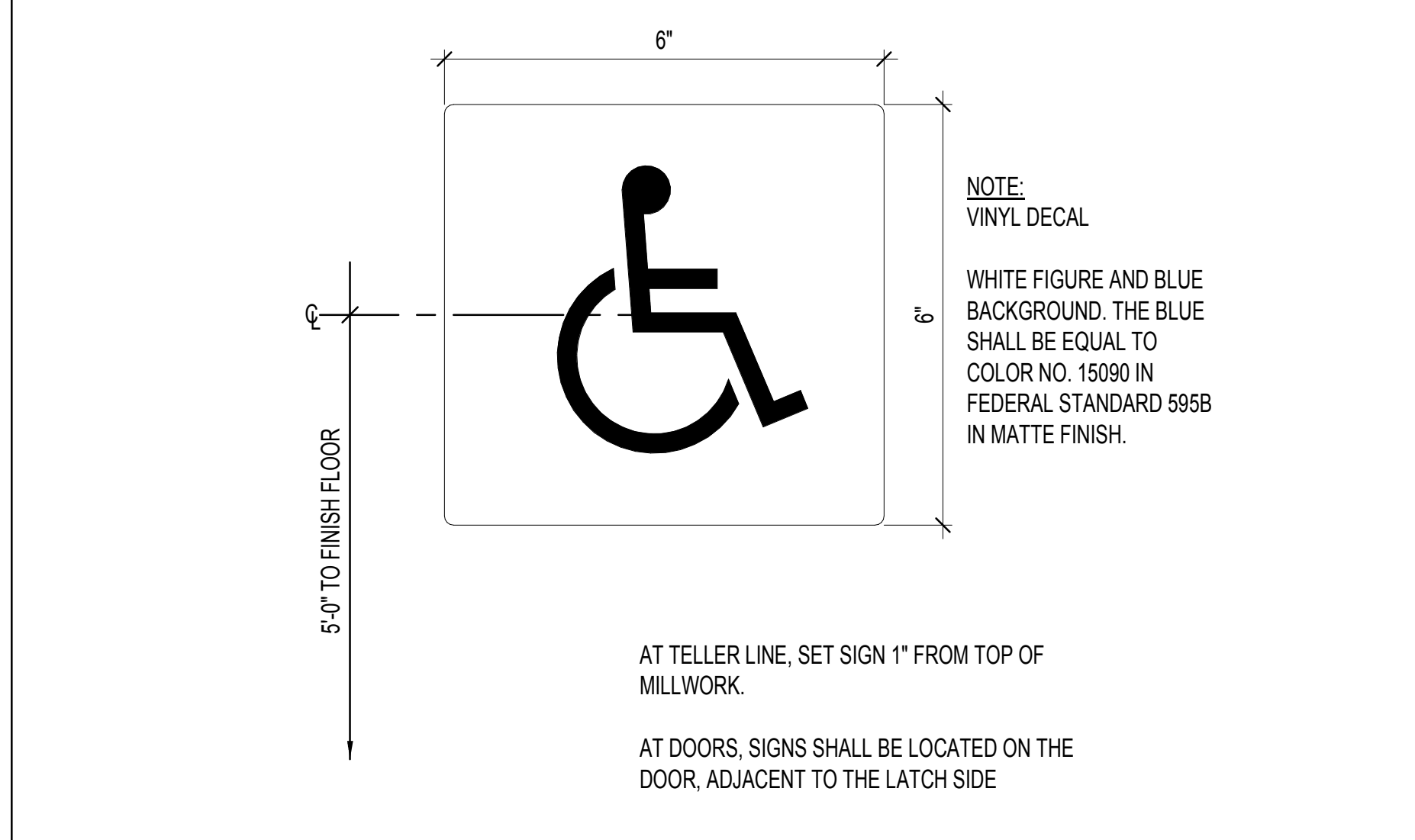
ATM CLEARANCES 09

SCALE: 1/2" = 1'-0"



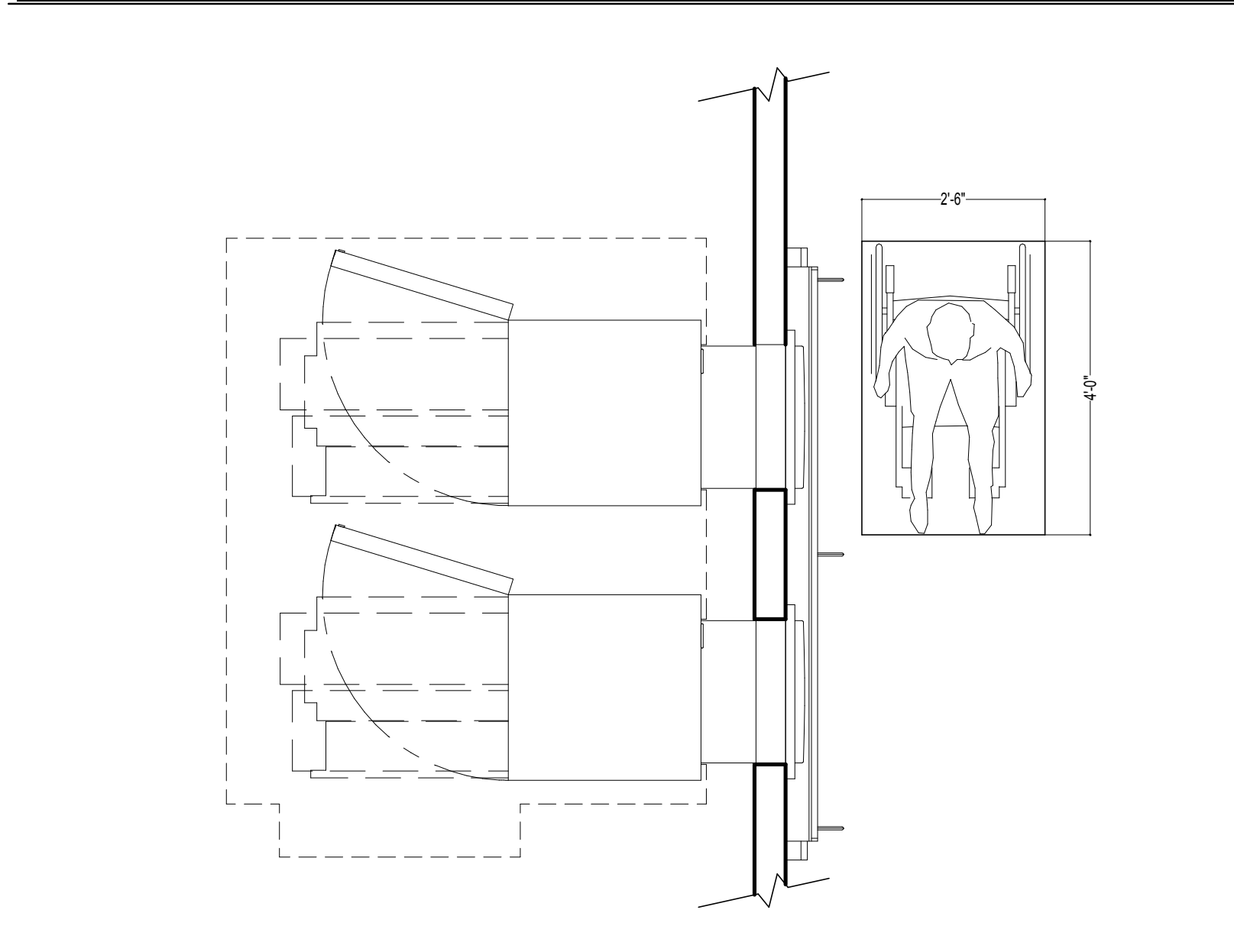
HANDRAIL EXTENSIONS 10

SCALE: 1/2" = 1'-0"



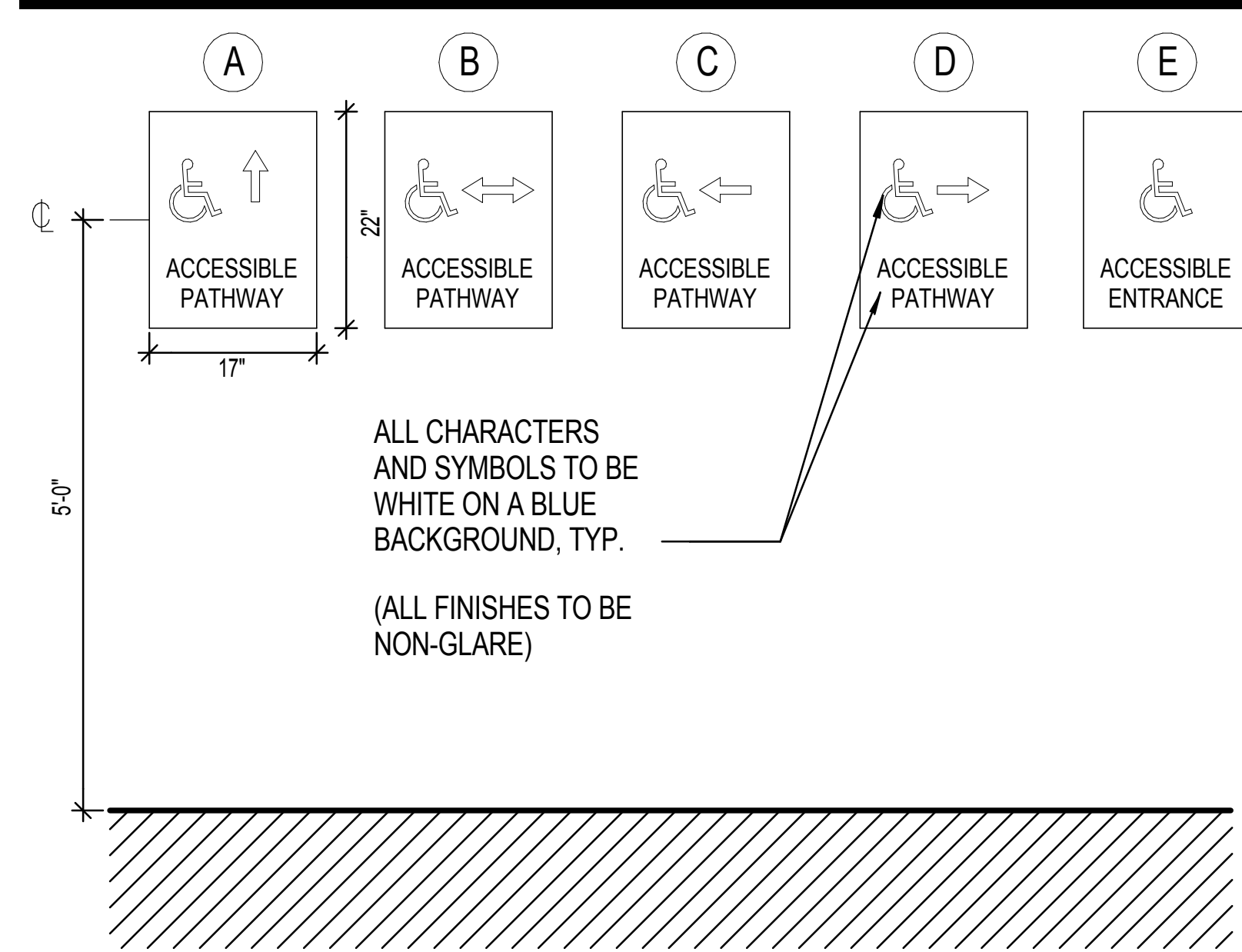
ACCESSIBLE SIGNAGE 11

SCALE: 1/4" = 1'-0"



ATM SIDE APPROACH 12

SCALE: NTS



DIRECTIONAL SIGNAGE 13

SCALE: 1/2" = 1'-0"