

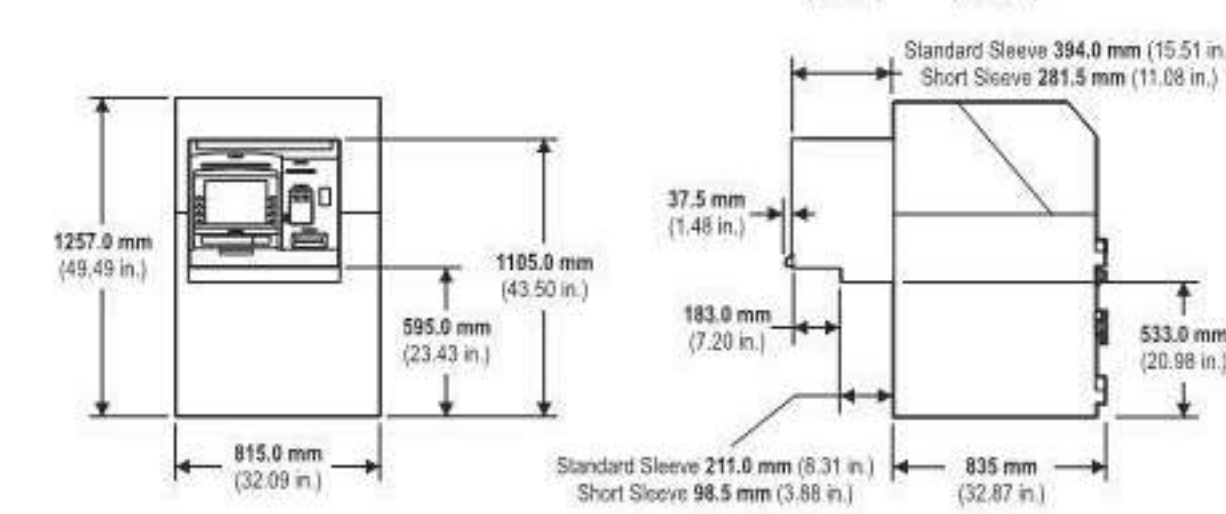
# NCR Personas M Series 5886 ATM Site Preparation Datasheet (8006-7046-A000)

Walk-Up version with Standard Collar and UL Security Enclosure  
 This Site Preparation Datasheet is specific to the Bank of America and is to be used in conjunction with the following documents:  
 NCR Personas M Series 5886 Site Preparation (8006-6191)  
 NCR Personas M Series 5886 Installation Manual (8006-6193)

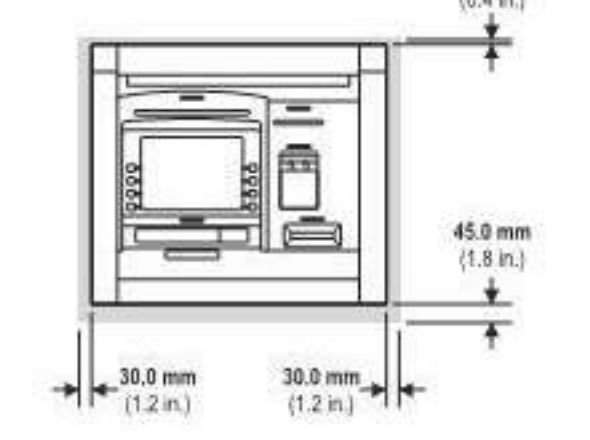
## FLOOR LOADING

Maximum weight	878 kg (1936 lb.)
Floor Loading	1425 kg/m <sup>2</sup> (292 lb./ft. <sup>2</sup> )

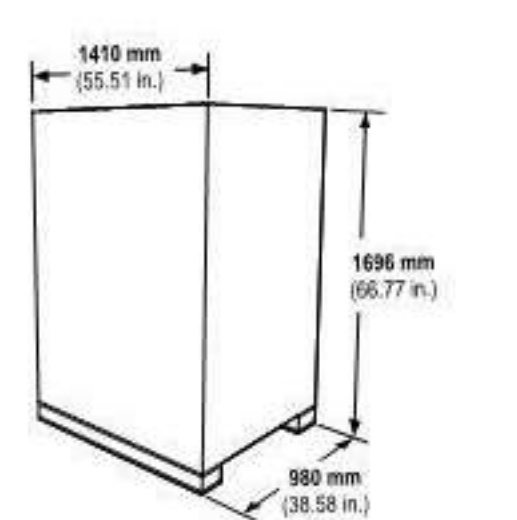
## ATM DIMENSIONS



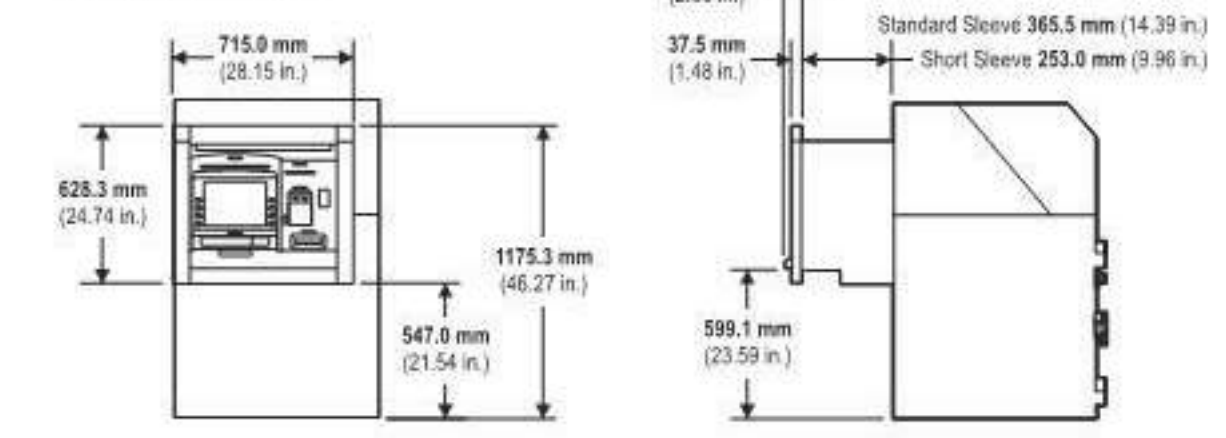
## COLLAR CLEARANCE



## PACKAGE DIMENSIONS



## COLLAR DIMENSIONS



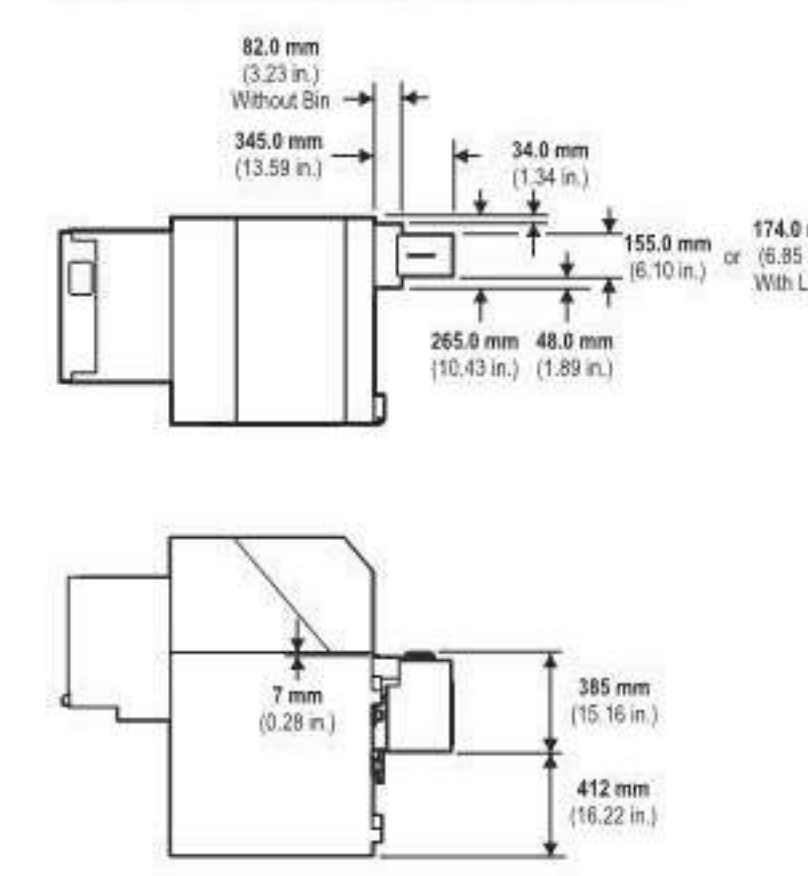
**NCR Highest Operable Point (HOP) is the Statement Printer.**  
 Refer to: NCR\_ADA 2010\_ATM Housing Solutions 012712.xls for the proper 2010 ADA Equipment HOP Height.

## ACCESS FOR ALL

Facia Items	Height (from base of ATM) See Note	Depth (from front of collar)
A Statement Exit or Passbook Entry and Exit	992.7 mm (39.08 in.)	151.0 mm (5.94 in.)
B No. 5 Key	307 mm (12.1 in.)	150.5 mm (5.93 in.)
C Touchscreen Display	446.7 mm (33.33 in.)	150.5 mm (5.93 in.)
D Cheque and Cash Entry	892.0 mm (27.26 in.)	116.0 mm (4.57 in.)
E No. 5 Key	856.0 mm (26.80 in.)	46.5 mm (1.83 in.)
F Cash Exit	636.6 mm (25.02 in.)	116.0 mm (4.57 in.)
G Audio Jack Plug	783.4 mm (30.84 in.)	105.0 mm (4.13 in.)
H Camera	886.0 mm (34.88 in.)	130.0 mm (5.12 in.)
I Card Reader, Microfiche	882.8 mm (34.76 in.)	138.0 mm (5.43 in.)
J Card Reader, Dip	882.0 mm (34.72 in.)	87.0 mm (3.43 in.)
K Receipt	969.5 mm (38.17 in.)	157.0 mm (6.18 in.)
L Speaker	1038.5 mm (40.89 in.)	178.0 mm (7.01 in.)

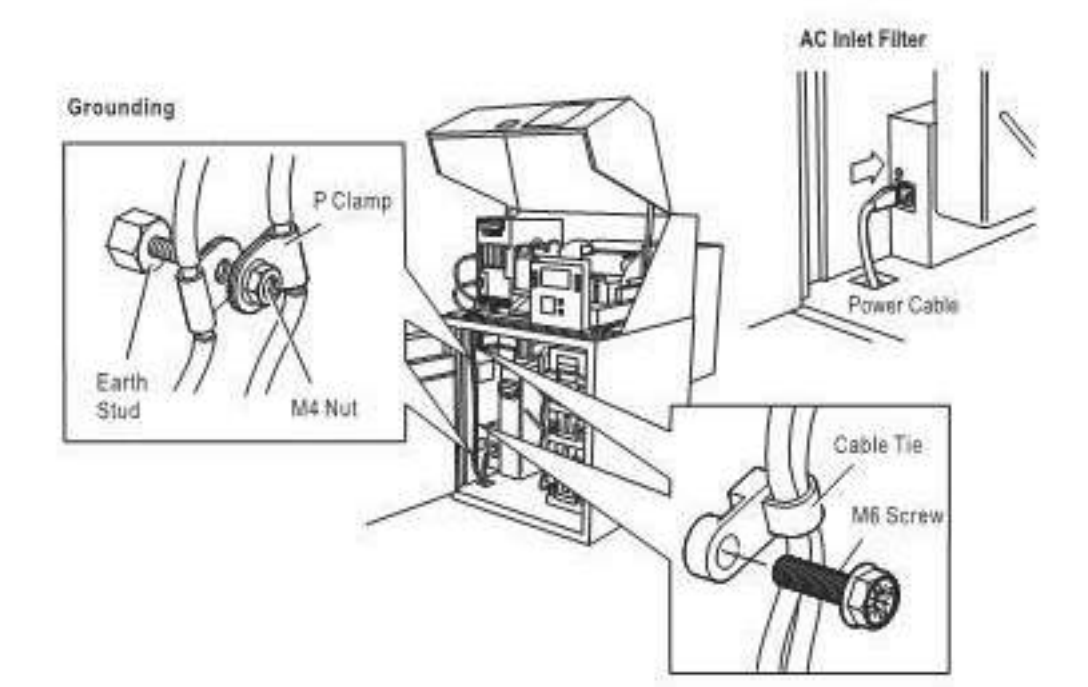
Note: For heights from the sidewalk to the main facia items, add 204 mm (8.0 in.) for US 2010 ADA height and 357 mm (14.1 in.) for non-ADA height. Refer to the 'Hole in the Wall Dimensions' for more information.

## TRANSCALABLE CHECK PROCESSOR DIMENSIONS



## CONNECTING THE CABLES

Because there is a limited side clearance when the ATM is being installed within a minimum footprint clearance area, cable connections must be carried out before the unit is moved into its final location. Communication cables must be grounded to make sure that the ATM meets EMC requirements. Make sure that the power cable is not connected to the AC outlet while you are connecting it to the ATM.



## POWER REQUIREMENTS

Voltage transients, line noise, surges, sags, impulses, and spikes may be experienced routinely or sporadically. When such phenomena occur, the use of protective devices may be required to ensure proper operation of the equipment.  
 Note: The power requirements below are exclusive to the ATM. The power source for all other peripherals (including: Teller, Surround, Alarm, Camera, etc.) should be provided in separate power circuits.

## AC Power Requirements

The ATM is rated at 10A, 120V. Bank of America guidelines recommend a 20A at 120V Individual Branch Circuit with isolated ground for its installations.  
 The maximum inrush current is 200A peak at 136V.

Note: For terminals with deposit devices, be aware that in the event of a power failure, there is the potential for customer cash to be retained in the device. For this reason, NCR does not recommend running an ATM with deposit devices without an Uninterruptible Power Supply (UPS).

## Input Voltage Setting

The ATM can operate from the following input mains voltages:  
 ~90V to 130V at 50/60Hz.

## Power Cable

The ATM is supplied as a 120V unit with a power cable fitted with a NEMA type 5-15P power source connector. Information on suitable power connectors is supplied with the accessories.  
 The power cable supplied is 3 m (9.8 ft.) in length. If it is necessary to increase this length to meet site requirements, then the extension must satisfy local or country regulations.

## WARNING

This equipment must be grounded (earthed).

## Grounding Requirements

The ATM operates from a single phase, 3 wire supply (live, neutral and ground). The power requirements of this unit will normally permit it to operate within existing wiring configurations and from existing branch mains circuits providing:  
 1. Where the supply is provided from a general purpose distribution panel, then the other branch circuits from this panel must not be used to support heavy inductive loads such as air conditioners, elevators, microwave ovens, and so on. Nor may such equipment be operated on the same branch circuit as the ATM.  
 2. If using distribution panels, all branch circuit grounding conductors must be connected to an insulated terminal strip in the distribution panel. The grounding conductor from the distribution panel to the building ground part must be at least equal in size to the power conductor necessary to supply the NCR system.

## Note:

The building ground point can affect data integrity. For additional information, refer to the Data Line Protection section in the publication NCR Personas M Series 5886 Site Preparation.

## INSTALLATION CATEGORIES

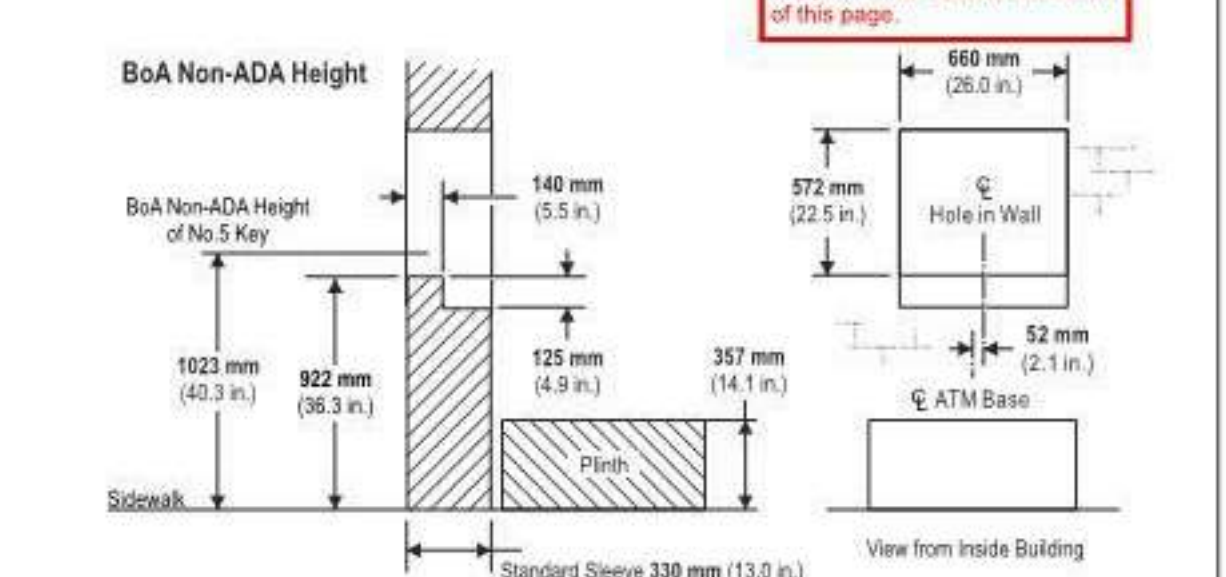
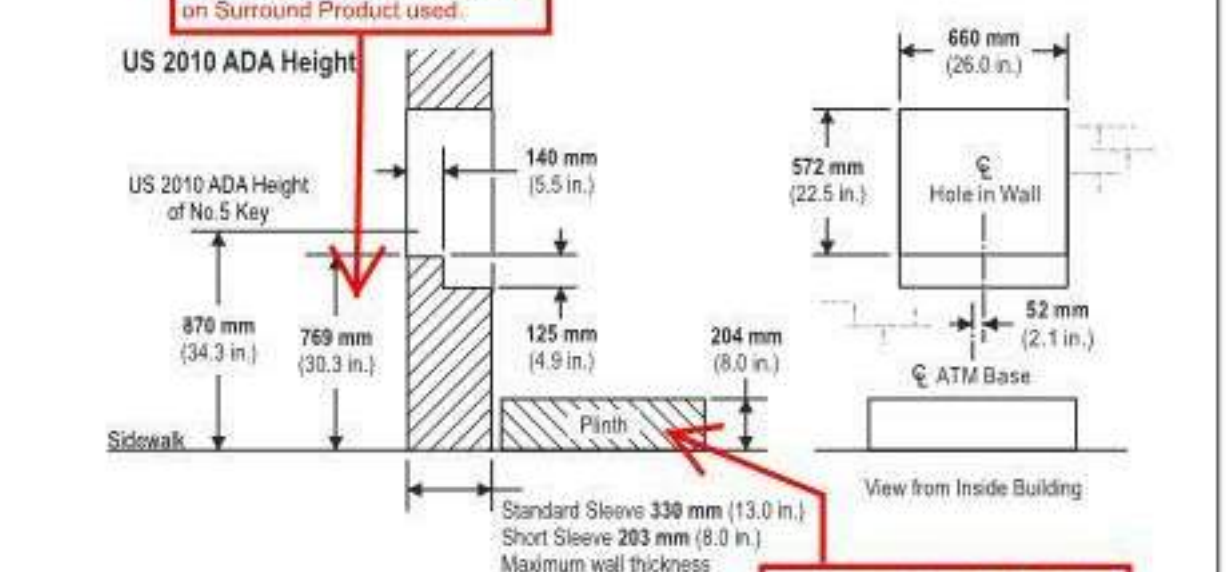
The physical installation of the ATM is divided into two categories:  
 1. A new installation of a 5886 walk-up standard or short sleeve ATM at the US 2010 ADA height.  
 2. A new installation of a 5886 walk-up standard or short sleeve ATM at the Bank of America (BoA) non-ADA height.  
 The height does not comply with any regulations.

**Installing Through a Glass Wall**  
 If you are installing your ATM through a glass wall you may require a suitable glass support (normally a steel collar) to sit between the ATM collar and the glass.  
 The requirement for this support should be determined by the architect. If required, any such support should be secured locally.

**Installing in the State of California**  
 For installations in the State of California, please consult your project manager.

## HOLE IN THE WALL DIMENSIONS

NOT TO SCALE  
 Refer to: NCR\_ADA 2010\_ATM Housing Solutions 012712.xls for the proper Bottom of Rough Opening Height.  
 HOP Height may vary depending on Surround Product used.  
 It is the responsibility of the owning institution to ensure that the height from the sidewalk level to the facia items comply with any local regulations.  
 Note: The height of the plinth depends upon the difference in height between the sidewalk and the interior floor. If there is no difference, the plinth must have the height that is shown below.

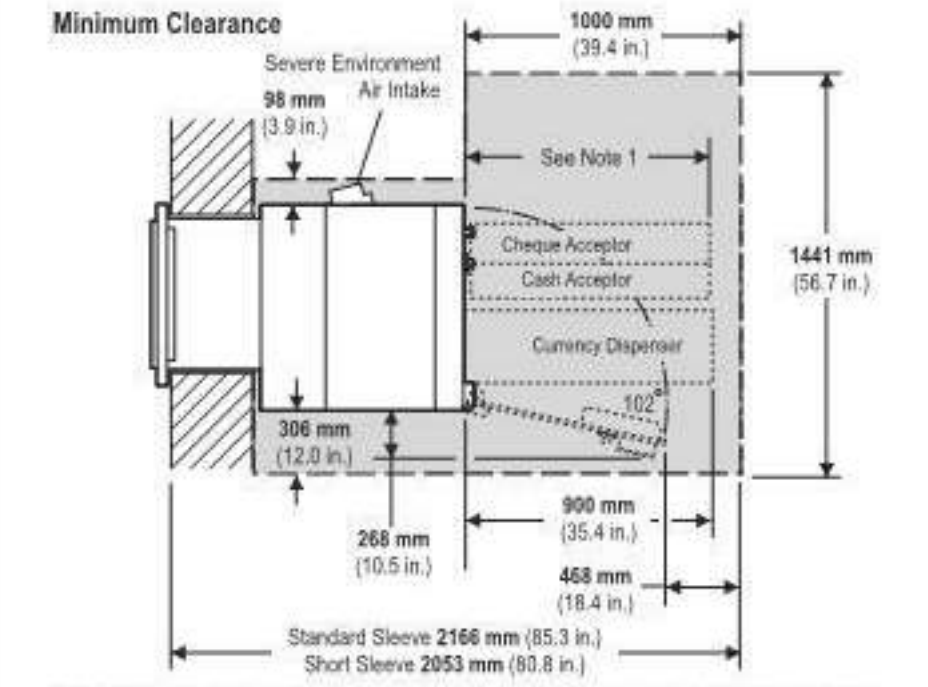
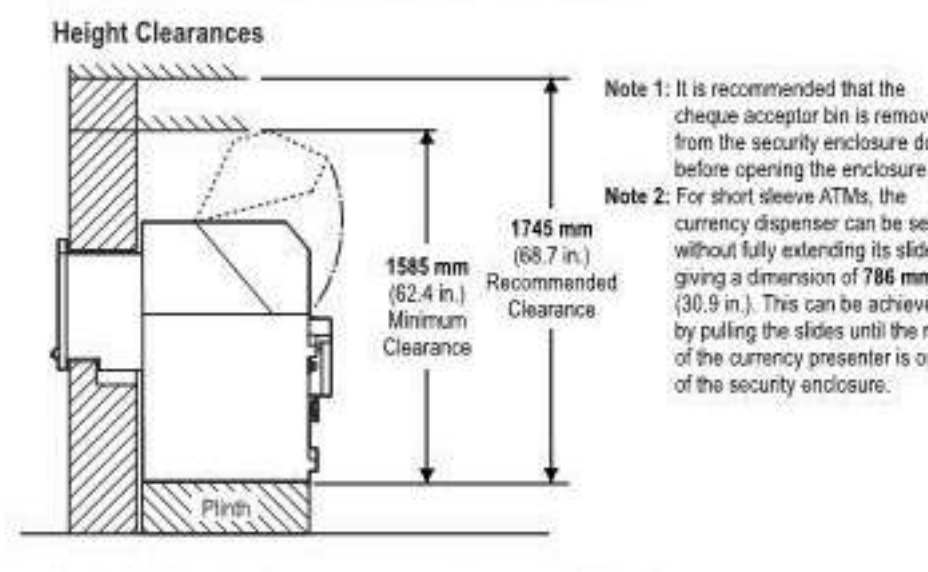


**Support Plinth Options**

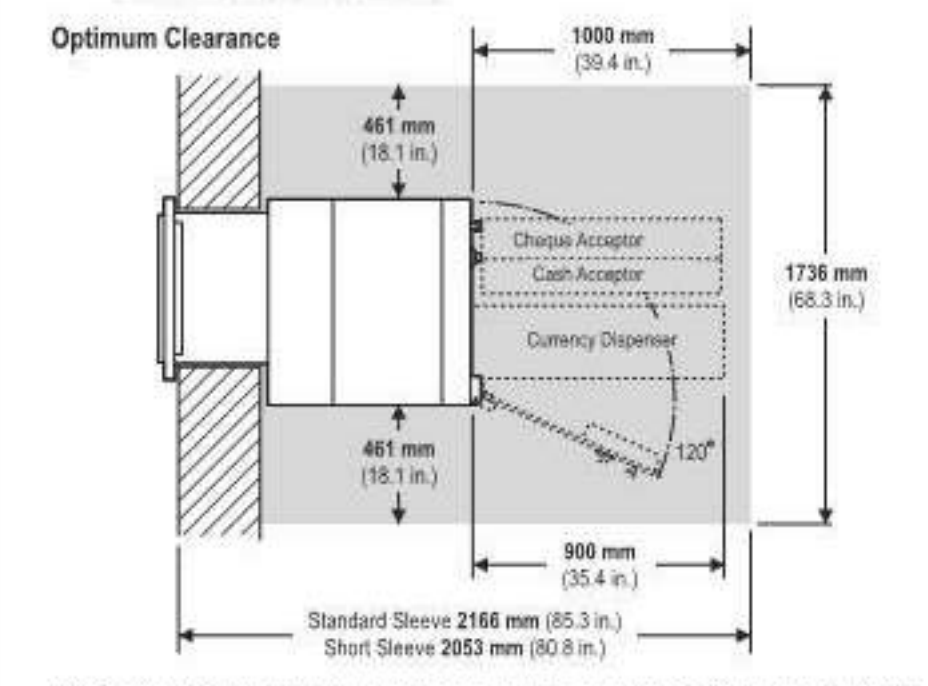
7949-K966-V001	Variable Height Plinth (100 mm (3.94 in.) to 202 mm (7.95 in.))
7949-K025-V001	Variable Height Plinth (202 mm (7.95 in.) to 386 mm (15.18 in.))

## SERVICE CLEARANCES

Important Notice to Users: If it is likely that the ATM will be upgraded with new modules as they become available, you should use the optimum clearances.



Note 1: To allow a cheque acceptor to be serviced within the minimum clearance area, the rear transport can be propped from its horizontal position to a vertical position.  
 Note 2: To service the keyboard, shutter areas and severe environment (if fitted), the 80 Column printer must be removed.

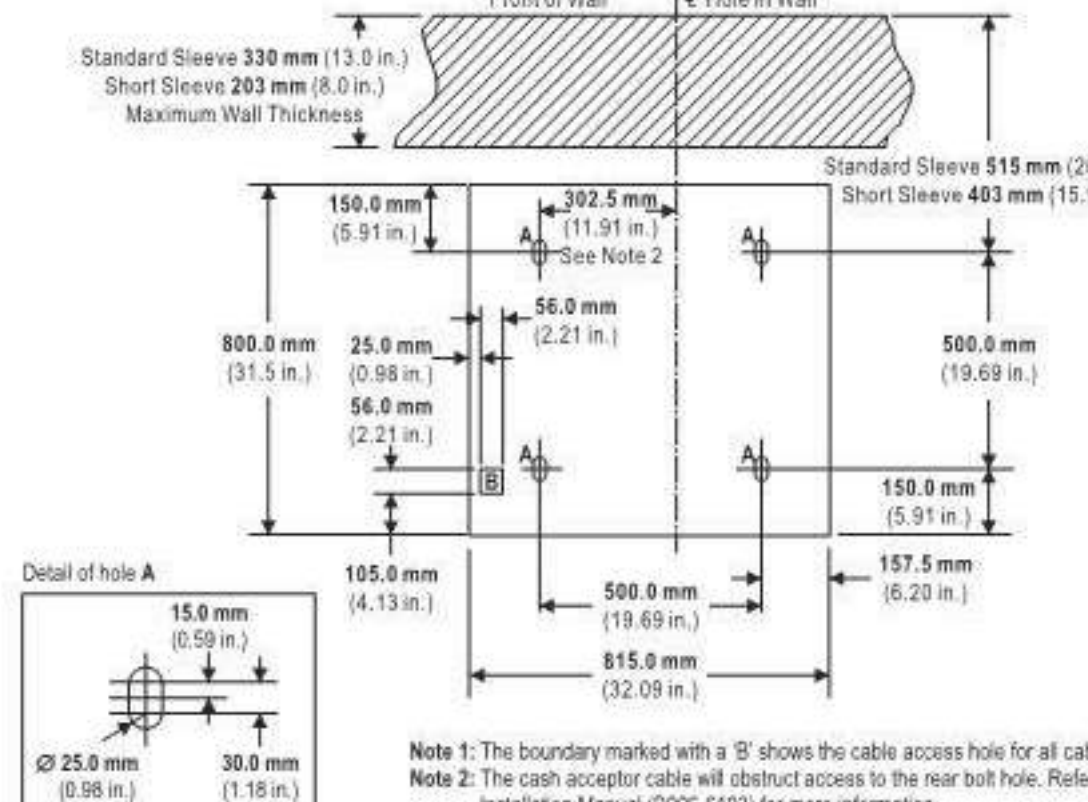


Note: For installations where there is enough room to stand at the right hand side of the sleeve (when viewing the ATM from the rear) there is an access panel which can be removed to allow easier access to the keyboard and shutter areas. It is not accessible if severe environment is fitted. There is another access panel on the left hand side which is only accessible if the ATM is installed through a tin wall. This panel is located on the sleeve.

## BOLT HOLE LOCATIONS

**Security Bolts**  
 The ATM should be bolted to the floor or drilled through the 'A' holes, using four bolts with anchor washers. The four or plinth must be capable of withstanding the loading imposed by the anchor points for the bolts. The bolts and anchors must be supplied by the owning organization.  
 If an adjustable plinth is used, it must be bolted to the floor.

The minimum specification for bolts, to secure the ATM to a concrete floor, is high tensile M16 (5/8 in.) bolts with appropriate anchor washers of 6 mm (0.2 in.) minimum thickness.  
 It is recommended that these bolts be a minimum depth of 150 mm (5.9 in.) and either resin anchor bolts or steel tie bolts are used.



Note 1: The boundary marked with a 'B' shows the cable access hole for all cables.  
 Note 2: The cash acceptor cable will distribute access to the rear but how, refer to the installation manual (8006-6193) for more information.

## ENVIRONMENTAL REQUIREMENTS

### Temperature and Humidity

ATM installation through an exterior wall must meet the requirements of both the Interior and Exterior (through the wall) environments.

	Normal Operating Range	
	Interior Environment	Exterior Environment
Temperature (dry bulb)	10°C to 40°C (50°F to 104°F) See Note 2.	-35°C to 50°C (-31°F to 122°F) See Note 2.
Relative humidity	20% to 80% See Note 1.	10% to 100% See Note 2.
Dew point temperature reduction	24°C (79°F) max.	

Note 1: The humidity inside the building is restricted to a maximum of 30% at an outside temperature of -35°C (-31°F) with a linear relationship between temperature and humidity to a maximum humidity of 80%.  
 Note 2: If a passbook printer is fitted, the minimum exterior temperature is 0°C (32°F) and the maximum relative humidity is 80%.

	Storage Range (Up To Three Months)		Transit Range (Up To One Week)		Extreme Power On Range (Up To One Hour)	
	Temperature	Relative Humidity	Temperature	Relative Humidity	Temperature	Relative Humidity
Temperature	-10°C to 50°C (-14°F to 122°F)	10% to 90%	-40°C to 60°C (-40°F to 140°F)	5% to 95%	0°C to 40°C (32°F to 104°F)	10% to 95%

### Barometric Pressure

Operating and transit limits	105 kPa (15.2 lb. F/in. <sup>2</sup> )
Equivalent altitude	Up to a maximum of 3000 m (9842.52 ft.)

## KEY NOTES

## GENERAL NOTES



One Beacon Street  
 Third Floor  
 Boston MA 02108  
 Tel: 617.619.5700  
 Fax: 617.619.5701

Issue #	Issue Date	Issue Description
1	08/15/2014	ISSUE FOR BID AND PERMIT

Seal/Signature

Project Name  
 ADA UPGRADES

Project Number  
 11.6560.125

Description  
 TYPICAL DETAILS

Scale  
 3/8" = 1'-0"

A12.02

© 2014 Gensler