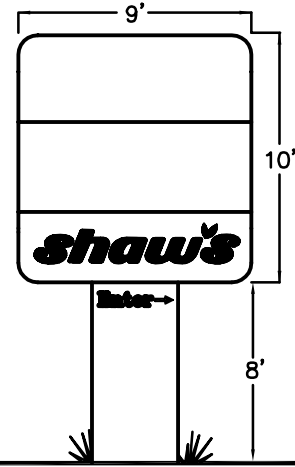
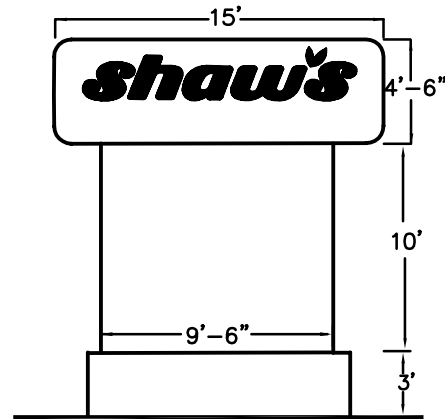


1



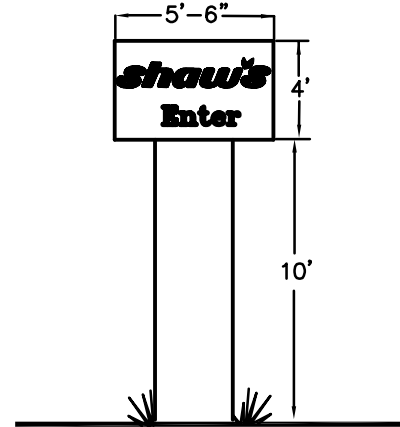
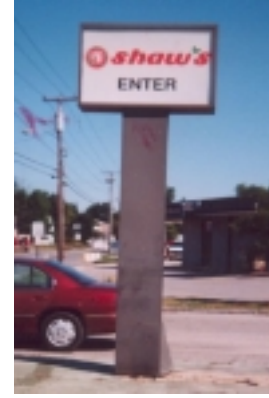
MERCY PYLON SIGN
NOT TO SCALE

2



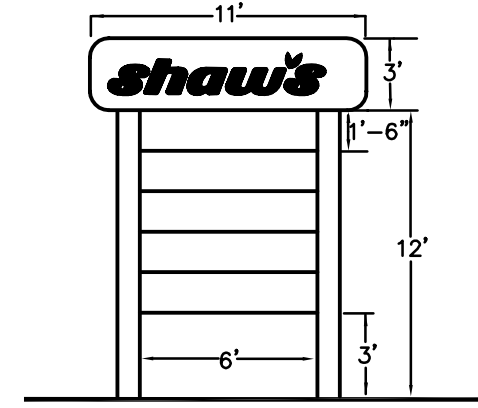
SHAW'S PYLON SIGN
NOT TO SCALE

3



SHAW'S PYLON SIGN
NOT TO SCALE

4



SHAW'S PYLON SIGN
NOT TO SCALE

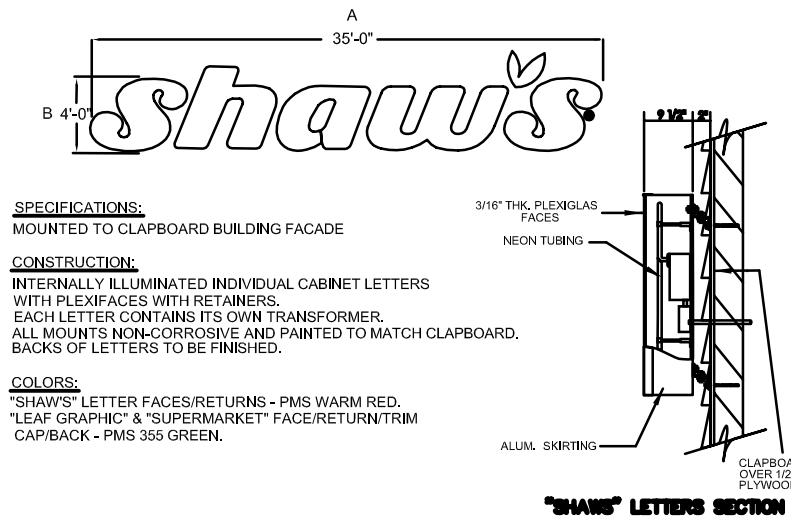
DATE: JANUARY 6, 2002
SCALE: AS SHOWN
DESIGNED BY: AM
DRAWN BY: DL
APPROVED BY: AM
PROJECT NO: 1281
FILE NO: 1281APPFLC3.DWG

No.	Description	Appd	Date

**NORTHGATE PLAZA
91 AUBURN STREET
PORTLAND, MAINE**

ITEM	EXISTING		
	No.	AREA (SF)	HEIGHT (FEET)
WALL SIGNS			
FRONT WALL			
a) SHAW'S LOGO	1	140	4
b) RETAIL SERVICES	0	N/A	N/A
c) QUALITY SEAL	1	78.5	10
TOTAL	2	218.5	
SIDE WALL			
a) SHAW'S LOGO	1	140	4
TOTAL	1	140	
PYLON SIGNS			
a) MERCY - AUBURN STREET	1	90	18
b) SHAW'S - AUBURN STREET	1	162.5	17.5
c) SHAW'S - AUBURN STREET	1	22	14
d) SHAW'S - ALLEN AVENUE	1	105	15
TOTAL	4	379.5	

SIGN DATA BLOCK

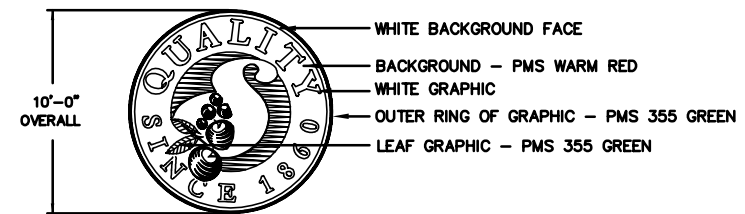


SPECIFICATIONS:
MOUNTED TO CLAPBOARD BUILDING FACADE

CONSTRUCTION:
INTERNALLY ILLUMINATED INDIVIDUAL CABINET LETTERS WITH PLEXIFACES WITH RETAINERS. EACH LETTER CONTAINS ITS OWN TRANSFORMER. ALL MOUNTS NON-CORROSIVE AND PAINTED TO MATCH CLAPBOARD. BACKS OF LETTERS TO BE FINISHED.

COLORS:
"SHAW'S" LETTER FACES/RETURNS - PMS WARM RED.
"LEAF GRAPHIC" & "SUPERMARKET" FACE/RETURN/TRIM CAP/BACK - PMS 355 GREEN.

EXISTING ILLUMINATED SHAW'S LOGO
NOT TO SCALE



CONSTRUCTION:
CABINET TO BE BACKLIT WITH PANAFLEX FACE. PANAFLEX FACE HAS SCREENED/VINYL APPLIED 2 COLOR GRAPHIC. ALL MOUNTS NON-CORROSIVE AND PAINTED TO MATCH TRINAR 20627 SHAMROCK.

COLORS:
CABINET RETURNS/TRIM CAP - PMS WARM RED
PANAFLEX SIGN FACE - WHITE BACKGROUND, PMS WARM RED GRAPHIC
OUTER RING & LEAF SYMBOLS - PMS 355 GREEN

EXISTING ILLUMINATED QUALITY SEAL
NOT TO SCALE

EXISTING SIGNS

Appledore Engineering Inc.
Please International Tradeport
15 Rye Street, Suite 305
Portsmouth, New Hampshire 03801
(603) 433-8818
aei@appledoreeng.com