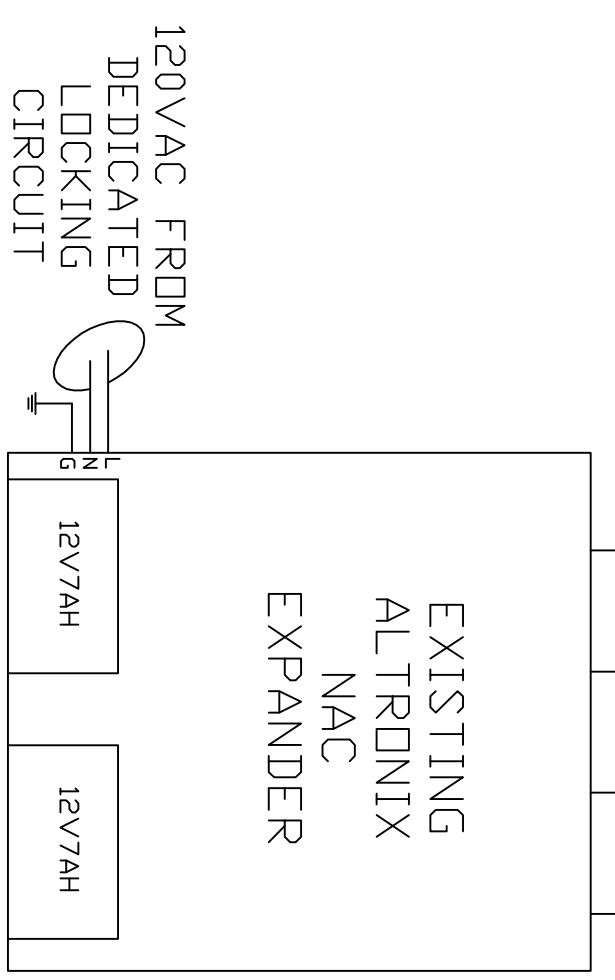
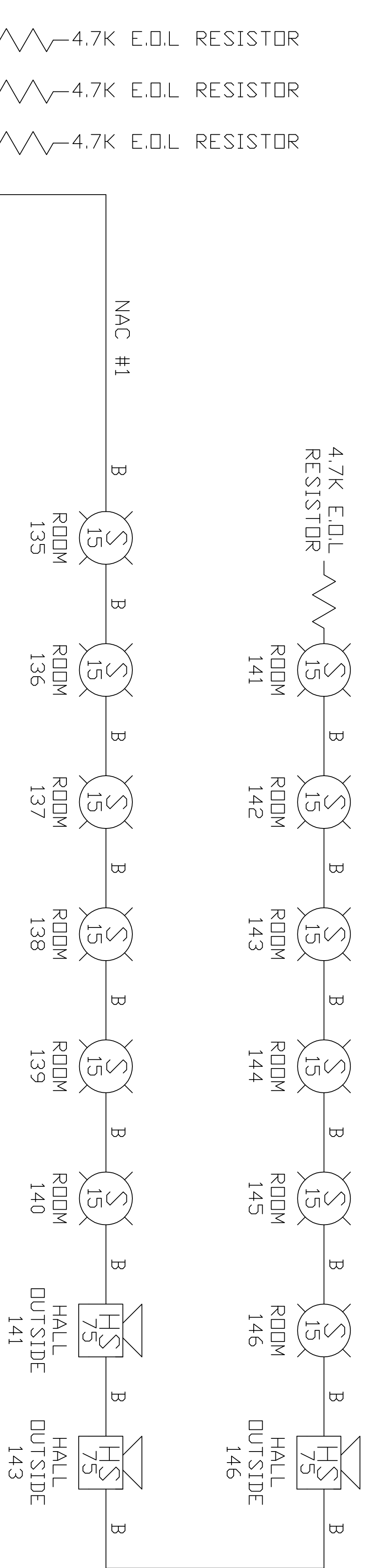
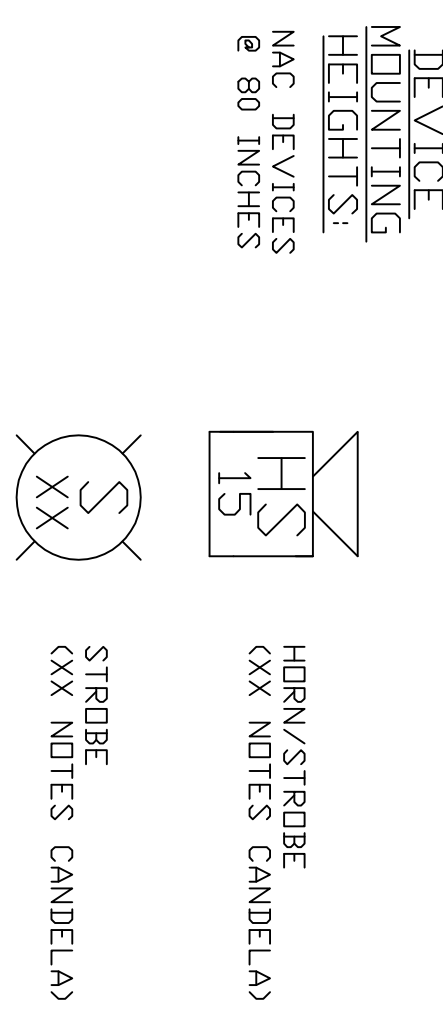


***Important!** Securing Screw MUST be installed in top of device on Exceder series HSR and STR Audio visuals.

LEGEND



This drawing is a typical device layout, wiring is shown diagrammatically only. This drawing has been provided as an example ONLY. Riser does not necessarily indicate all devices and appliances. See floor plans and specification for location and quantities. The purchaser must accurately layout the initiating and notification devices in their proper zones/circuit. Note: All signal circuits have a 25 amp load limitation and a combined load limitation of 30 amps or 6.0 amps if XRM-24 is added to the panel. There can be 4 class B noc circuits or 2 class A noc circuits. REMOTE power supply has a 3.0 amps limitation per circuit and an 8.0 amp combined limitation for all 4 circuits. (see chart below for current vs. candela ratings)

Room Size	Candela Rating	Load (amps)
20' x 20'	15 cd	0.08 amps
28' x 28'	30 cd	0.10 amps
45' x 45'	75 cd	0.15 amps
54' x 54'	110 cd	0.20 amps

- A 1 PR #12 AWG TWISTED-PAIR UNSHIELDED CABLE FPL GENESIS 4515, BELDEN 6020UL (Up to 10,000 f+)
- A 1 PR #14 AWG TWISTED-PAIR UNSHIELDED CABLE FPL GENESIS 4513, BELDEN 6120UL (Up to 8,000 f+)
- A 1 PR #16 AWG TWISTED-PAIR UNSHIELDED CABLE FPL GENESIS 4511, BELDEN 6220UL (Up to 4,500 f+)
- B 1 PR #12 AWG FPL CABLE
- D 1 PR #14 AWG FPL CABLE
- E 1 PR #16 AWG FPL CABLE
- F 2c #12 AWG CABLE
- G 2c #14 AWG CABLE
- H 1 PR #16 AWG TWISTED-PAIR SHIELDED CABLE FPL
- I 1 PR #20 AWG SOLID COPPER UNSHIELDED PLENUM RATED
- J 1 CAT5 CABLE

REVISION 2 DATE: _____
 REVISION 1 DATE: _____
 REVISION 0 SUBMITTAL DATE: 10/03/2013

PROJECT NAME: **LYMAN MOORE MIDDLE SCHOOL**
 171 AUBURN STREET
 PORTLAND, ME 04103

Prepared for Tomorrow, Delivered Today
 2257 BROADWAY, SD, PORTLAND, MAINE

SCALE NTS
 BY: JRS
 CK BY:
 SAVED AS:

IMPORTANT!
 WIRING CONNECTIONS
 MUST HAVE CORRECT
 POLARITY.

Important! Duplicate Addresses on devices of different style is NOT an error in design or printing. All electronic devices MUST be placed in a heated room with temperature above 32 degrees. Never run wires parallel to any other wiring. Make sure to always run cables in separate raceways. Fire alarm wiring can emit noise that may affect other devices. Shielded cable can be used if cable is run near sensitive equipment.