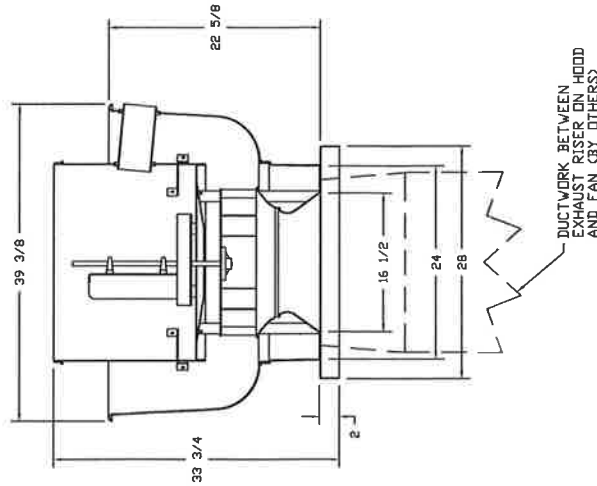


FAN #1_NCA16HPFA - EXHAUST FAN



FEATURES:

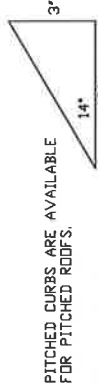
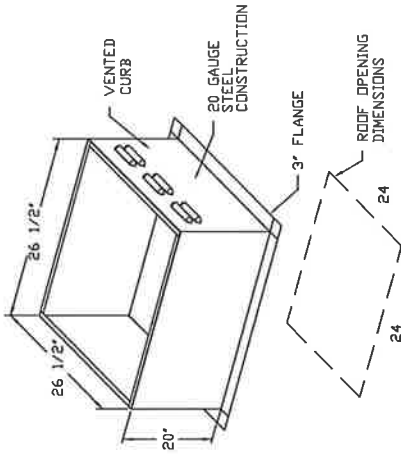
- ROOF MOUNTED FANS
- RESTAURANT MODEL
- UL705 AND UL76E
- AHCA SOUND AND AIR CERTIFIED
- WIRING FROM MOTOR TO DISCONNECT SWITCH
- WEATHERPROOF DISCONNECT
- HIGH HEAT OPERATION 300°F (149°C)
- GREASE CLASSIFICATION TESTING

NORMAL TEMPERATURE TEST
 EXHAUST FAN MUST OPERATE CONTINUOUSLY WHILE EXHAUSTING AIR AT 300°F (149°C) FOR 15 MINUTES WITHOUT REACHING THERMAL EQUILIBRIUM AND WITHOUT ANY DETERIORATING EFFECTS TO THE FAN WHICH WOULD CAUSE UNSAFE OPERATION.

ABNORMAL FLARE-UP TEST
 EXHAUST FAN MUST OPERATE CONTINUOUSLY WHILE EXHAUSTING BURNING GREASE VAPORS AT 600°F (316°C) FOR A PERIOD OF 15 MINUTES WITHOUT THE FAN BECOMING DAMAGED TO ANY EXTENT THAT COULD CAUSE AN UNSAFE CONDITION.

OPTIONS

- GREASE BOX
- FULL CRATING FOR EXHAUST FANS
- 3 YEAR EXTENDED MOTOR WARRANTY
- EXTRA SET OF BELTS
- FAN BASE CERAMIC SEAL - FOR GREASE DUCTS



PITCHED CURBS ARE AVAILABLE FOR PITCHED ROOFS.
 SPECIFY PITCH.
 EXAMPLE: 7/12 PITCH = 30° SLOPE

CUSTOMER APPROVAL TO MANUFACTURE:

Approved as Noted

Approved with NO Exception Taken

Revise and Resubmit

SIGNATURE _____

Your Title _____ Date _____

CAPTIVEAIRE

JOB First Lutheran Church	
LOCATION LEWISTON, ME	JOB # 1986426
DATE 3/3/2014	DRAWN BY BFC-21
DWG # 4	SCALE 3/8" = 1'-0"
REV.	