

FACTORY WIRING SCHEMATIC CIRCUIT DIAGRAM ECPM03 Rev. 1.30 HMI

24 VDC RELAY	24 VDC RELAY
NO 1 4 3	NO 1 4 3
NC 2 5 7	NC 2 5 7
COM 6 8 5	COM 6 8 5

COMPONENT LIST

SYMBOL	DESCRIPTION
ST-X	Stopper
DL-X	Diodes
C-X	Capacitors
PS-1	Power Sup. 24VDC
RA-X	Relay
RD-X-HI	24VDC High Inrush
TS-X	Terminal Block

LEGEND

FACTORY WIRING

BK	BLACK
BL	BLUE
BR	BROWN
CS	ORANGE
WH	WHITE
DR/BL	DR/BL STRIPE
BL/BL	BL/BL STRIPE
RD/GR	RD/GR STRIPE
WH/BL	WH/BL STRIPE

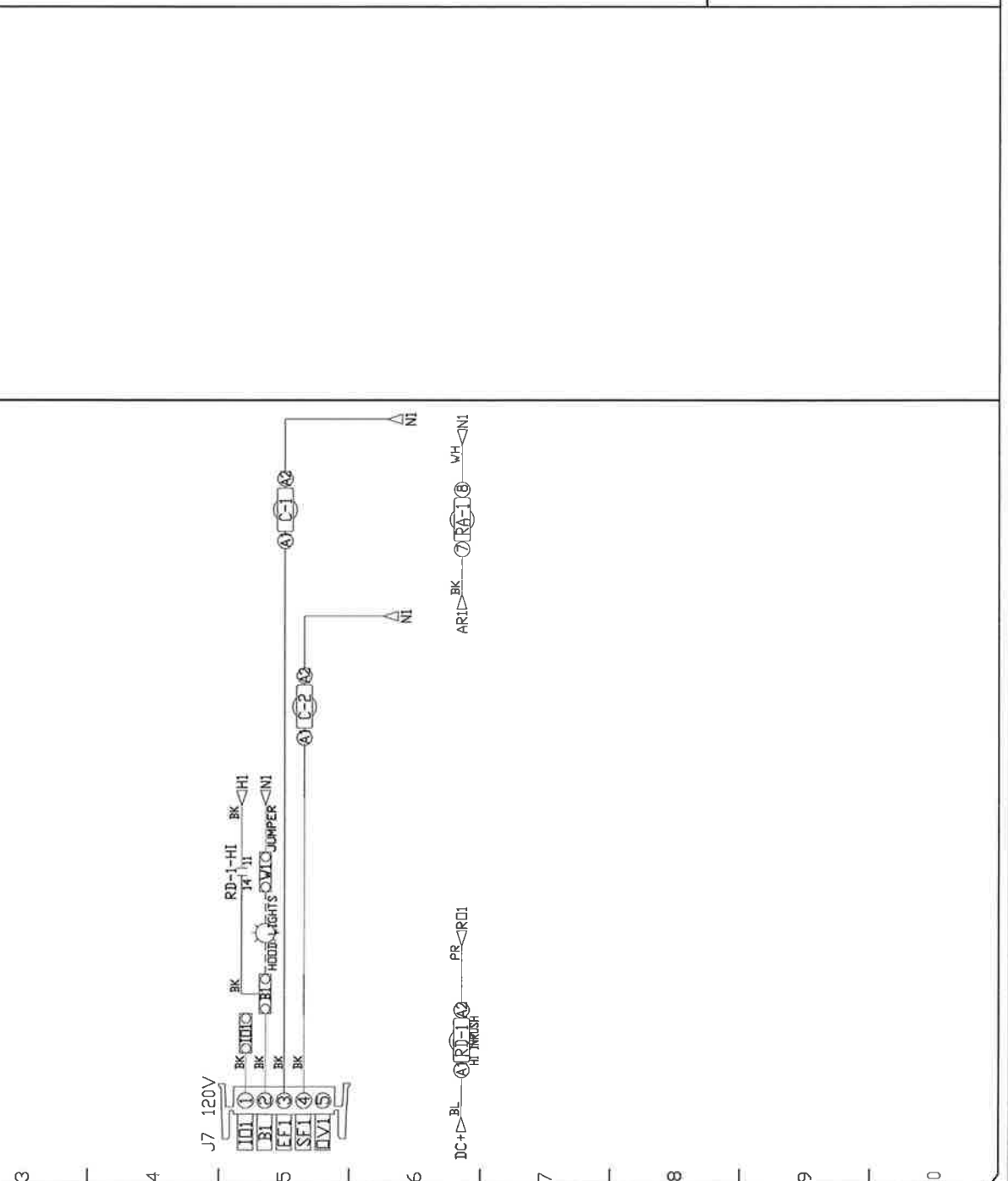
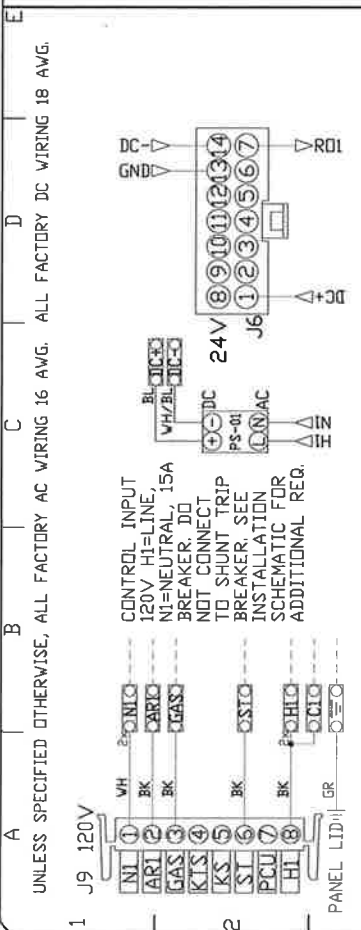
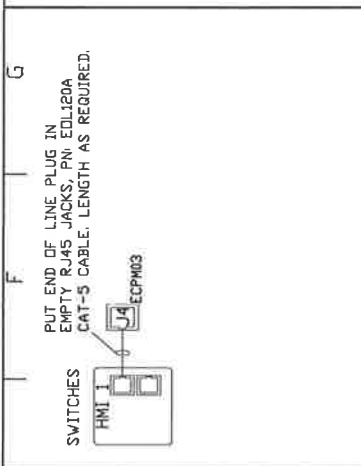
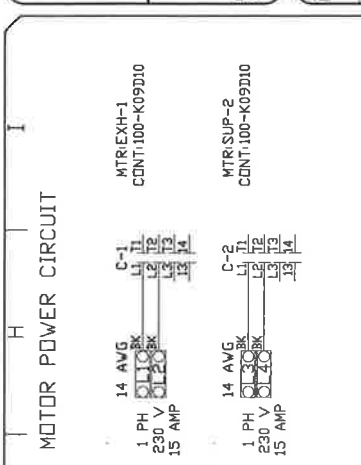
JOB NAME
First Lutheran Ch.

DRAWING TITLE
SC-21110FP

DESCRIPTION OF OPERATION
240V 1 Phase w/ 1 Exhaust Fan, 1 Supply Fan, 1 Exhaust Fan, 1 Light, 1 Exhaust Fan, 1 Dry/OFF Thermostatically Controlled, Room temperature sensor installed. See field installation.

JOB NO. 1986426
DRAWN BY
DATE 3/3/2014
TYPE FACTORY
DWG NO ECP #1-2

*First Lutheran Church
Page 15 Electrical*



DRY CONTACTS (SHOWN DE-ENERGIZED)

14 AVG RA-1-1 ON/OFF WITH FIRE