

Electrical

6	COM	PK - PINK
7	COM	WH - WHITE
8	COM	GR - GREEN
1	NC	RD - RED
2	NC	YV - YELLOW
3	NC	BR - BLACK
4	NC	DR - ORANGE
5	NC	PR - PURPLE

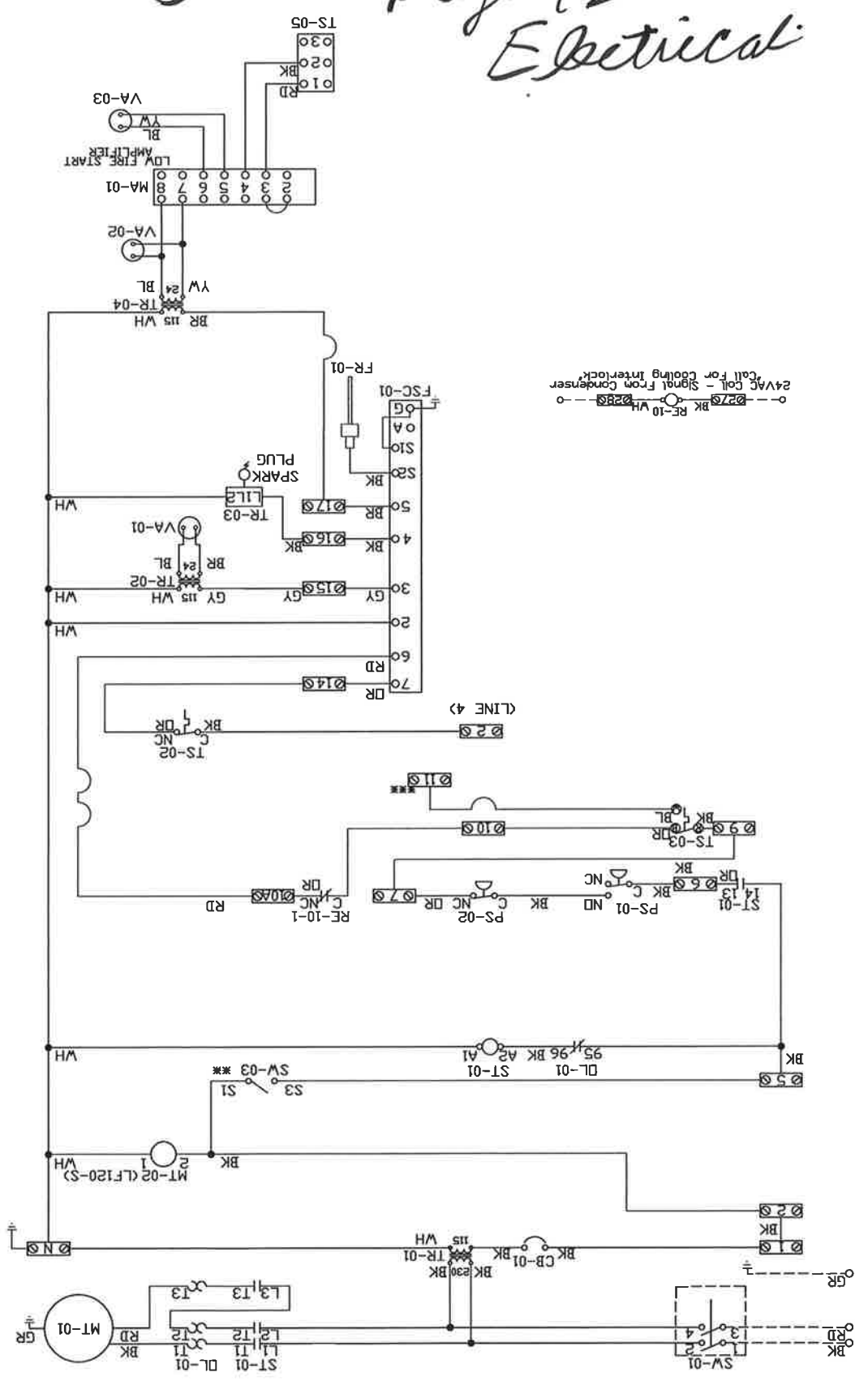
\*\*\* TERMINALS S4 AND S6 USED ON NF & AF SERIES ACTUATORS  
 \*\*\* TERMINAL 11 PROVIDES COOLING CONNECTION  
 WIRE COLOR

NOTES  
 --- DENOTES INTERNAL WIRING  
 --- DENOTES FIELD WIRING  
 MOTOR/CONTROL CIRCUIT MCA: 9.6A  
 MOTOR/CONTROL CIRCUIT MDP: 15A

ELECTRICAL INFORMATION  
 SUPPLY IHP-230V-1P-6-FLA  
 CONTACTOR I100-K09D10  
 OVERLOAD I193-KB73

ST-01	Supply motor	I28
DL-01	Damper motor	I28
MT-01	Modulating amplifier	I190
FSC-01	Flame FSC	I11-140
FR-01	Flame rod	I160
MA-01	Modulating amplifier	I190
MT-02	Damper motor	I28
DL-02	Damper motor	I28
PS-01	Low Air-flow Switch	I98
PS-02	High Air-flow Switch	I98
RE-10	AC Interlock Relay	I100U78
ST-01	Supply motor	I28
SW-01	Main disconnect switch	I21
SW-03	Damper end limit switch	I41
TR-01	Power transformer (200V/240V)	I178
TR-02	Power transformer (200V/240V)	I178
TR-03	Power transformer (200V/240V)	I178
TR-04	Power transformer (200V/240V)	I178
TS-02	High temp limit switch	I100
TS-03	Intake Air Sensor	I210
TS-05	Discharge Air Sensor	I210
VA-01	Pilot gas valve	I130
VA-02	Main gas valve	I180
VA-03	Modulating gas valve	I200

Component Identification  
 Label Description Location  
 CB-01 Circuit breaker (Camp) I38  
 24V AC Interlock Relay  
 Discharge Temp. Control  
 Motorized Back Draft Damper  
 DROP FOR DISCONNECT CONNECTION  
 IS FACTORY SUPPLIED  
 CONNECT POWER TO THE DROP



ATTENTION ELECTRICIAN  
 DROP FOR DISCONNECT CONNECTION  
 IS FACTORY SUPPLIED  
 CONNECT POWER TO THE DROP