

Submittal Data: 36RLXFZH

36,000 BTU Multi-Zone System

Inverter Driven Heat Pump

Job Name: Nancy Babcock

Date: 9-7-17

Location: 49 Parsons Pond Drive

Approval: _____

Engineer: n/a

Construction: _____

Submitted to: City of Portland

Unit #: _____

Submitted by: Joggin Energy

Drawing #: _____

Reference: n/a

General Features

- Wired or wireless remote
- Apple catechin filter
- Ion deodorizing filter
- Auto louver: up/down
- Auto louver: 4-way
- Low ambient cooling
- Blue fin coating
- Standard Warranty: 5 years parts, 7 years compressor. Applies to systems purchased before June 1st 2015*
- Extended Warranty: 10 years parts, 10 years compressor. Systems that have been installed on or after June 1st 2015 by licensed contractors and the online Product Registration has been submitted.**
- Elite Contractor Extended Warranty: 12 years parts, 12 years compressor. Systems that have been installed on or after June 1st 2015 by contractors who have met requirements and have been approved for elite contractor status plus, the online Product Registration has been submitted.***

Model Information

Condenser..... AOU36RLXFZH
 Evaporator^..... (ARU) / (AGU) / (AUU) / (ASU) 7, 9, 12, 18, 24RLF(1)
 Connectable indoor units..... 2 - 4
 Total capacity range..... 27,000 – 39,000 Btu/h
Electrical..... 208/230V AC 1ph-60Hz
 Available Voltage Range..... 208/230 +/- 10%
 Minimum Circuit Ampacity..... 31.5 A
 Max Fuse Size..... 40 A

Current

Starting Current..... 12.9 A
 Operating Current..... 26.0 A
 Cooling..... (non-duct) 11.9 A / (ducted) 12.9 A / (mix) 12.4 A
 Heating..... (non-duct) 11.8 A / (ducted) 12.1 A / (mix) 11.8 A

Input Power

Cooling..... (non-duct) 3.52 kW / (ducted) 3.92 kW / (mix) 3.71 kW
 Heating..... (non-duct) 3.00 kW / (ducted) 3.22 kW / (mix) 3.11 kW

Capacity

Nominal Cooling..... 35,200 Btu/h
 Min-Max Cooling..... 12,000 – 39,000 Btu/h
 Nominal Heating..... 36,400 Btu/h
 Min-Max Heating..... 12,000 – 42,000 Btu/h

Compressor

..... DC Twin Rotary (inv x1)
 Motor Output..... 2,100 W
 Refrigerant..... R410a
 Pre-Charge..... 8 lbs. 13 oz.
 Oil..... RB68

Fan Motor

Type: DC (condenser)..... Propeller x1
 Motor Output (condenser)..... 100 W
 Type: DC (evaporator)..... (wall-mount) Cross flow
 (compact cassette) Turbo
 (ducted) Sirocco x2 (18 k x3)
 (floor) Cross flow x2

Motor Output (Evaporator)..... (wall) 30-42W (compact cassette) 54W (ducted) 80-81W
 (floor) 16W

Heat Exchanger

Dimensions (condenser)
 (H x W x D) in. (mm)..... 38-1/16 x 36-5/16 x 2-3/16 (966x922x55)
 Fin Pitch..... 1.45 FPI
 Rows x Stages..... 2 x 38
 Pipe Type (Material)..... Grooved H-Pin (Copper)
 Fin Type (Material)..... Aluminum (Blue fin)

Operation Temperature Range

Cooling..... 14°F (-10°C) - 115°F (46°C)
 Heating..... -15°F (-26°C) - 75°F (24°C)

Efficiency

SEER^^..... 20.0 (wall-mount) 18.0 (duct) 19.0 (mix)
 EER (cooling)..... 13.0 Btu/W (wall-mount) 12.0 Btu/W(duct) 12.5 Btu/W(mix)
 COP (heating)..... 4.00 W/W (wall-mount) 3.88 W/W (duct) 3.94 W/W(mix)
 HSPF (heating)..... 10.3 (wall-mount) 9.3 (duct) 9.8 (mix)

Enclosure (condenser)

Material..... Painted galvanized steel
 Color..... Beige (10 YR 7.5/1.0 NN)

Sound Pressure Level

Cooling..... 53 dB(A)
 Heating..... 55 dB (A)

Dimensions

H x W x D (condenser)
 Net in. (mm)..... 39-5/16 x 38-3/16 x 14-9/16 (998x970x370)
 Gross in. (mm)..... 45-3/4 x 45-1/4 x 18-13/16 (1,162x1,150x478)

Connection Pipe

Liquid..... 1/4" (6.35 mm) x4
 Gas..... 3/8" (9.52 mm) x3 + 1/2" (12.70 mm) x1
 Method (Liquid/Gas)..... Brazing
 Pre-charge length (Total)..... 164 ft. (50m)
 Max length (Total)..... 230 ft. (70m)
 Max length (Each)..... 82 ft. (25m)
 Min. length (Total)..... 49 ft. (15m)
 Min length (Each)..... 16 ft. (5m)
 Max Height Difference..... 49 ft. (15m)

Weight

Condenser..... 205 lbs. (93kg)
 Evaporators..... (wall-mount) 19 lbs. - 31 lbs.
 (compact cassette) 33 lbs.
 (ducted) 37 lbs. - 49 lbs.
 (floor) 31 lbs.

Accessories

UTY-RVNUM..... Wired remote control (backlit, displays room temp.)
 UTY-RNNUM..... Wired remote control
 UTY-RSNUM..... Wired remote control (simple)

Intertek®ETL Number

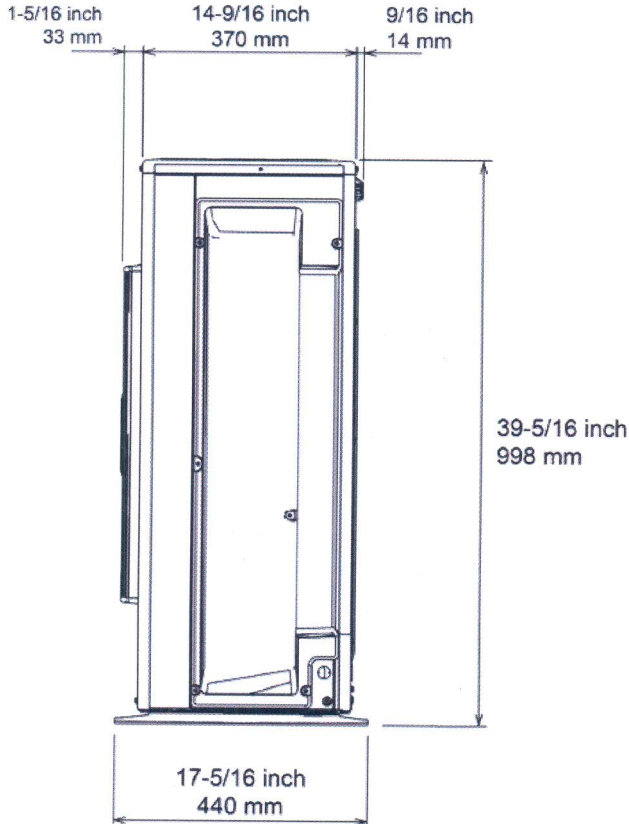
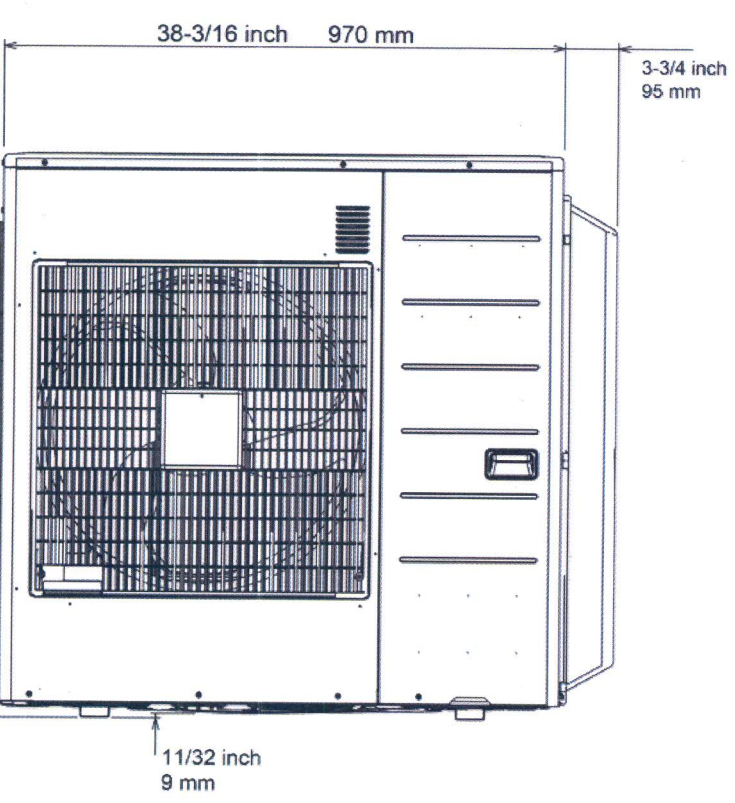
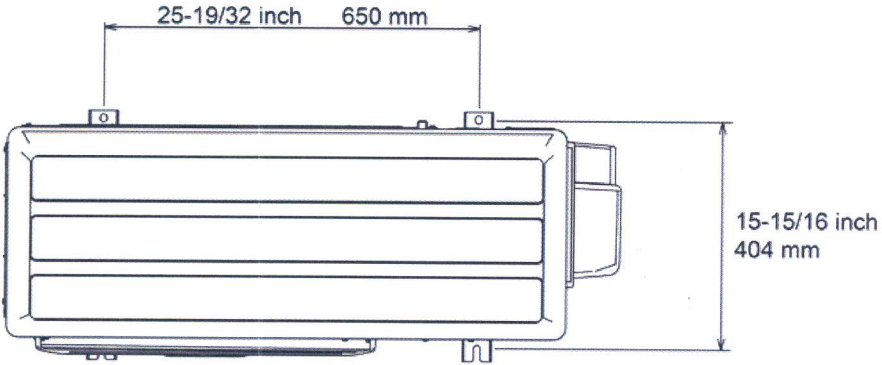
AOU36RLXFZH..... 91987

*Reference brochure for approved combinations. **Test conditions are based on AHRI 210/240. Note: Specifications are based on the following conditions. Cooling: Indoor temperature of 80°F (26.7°C) DB/67°F (19.4°C) WB, and outdoor temperature of 95°F (35°C) DB/75°F (23.9°C) WB. Heating: Indoor temperature of 70°F (21.1°C) DB/59°F (15.°C) WB, and outdoor temperature of 47°F (8.33°C) DB/45°F (6.11°C) WB. Pipe length: 24ft. 6in. (7.5m). Height difference: 0ft. (0m) (Outdoor unit – indoor unit) (**Standard warranty) ***10 year warranty ****12 year warranty



Dimensions: 36RLXFZH

[Unit: in. (mm)]



The Fujitsu logo is a registered trademark of Fujitsu Limited.
 The Halcyon logo and name is a trademark of Fujitsu General America, Inc. Copyright 2016 Fujitsu General America, Inc.
 Fujitsu's products are subject to continuous improvements. Fujitsu reserves the right to modify product design, specifications and information in this brochure without notice and without incurring any obligations.