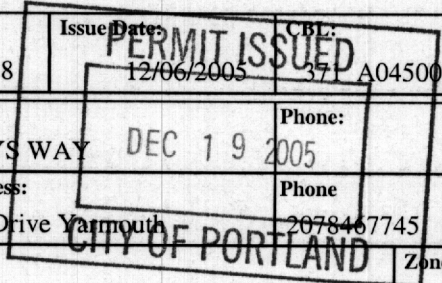


City of Portland, Maine - Building or Use Permit Application

389 Congress Street, 04101 Tel: (207) 874-8703, Fax: (207) 874-8716

Permit No: 05-1758	Issue Date: 12/06/2005	CBL: 371 A045001
-----------------------	---------------------------	---------------------

Location of Construction: 25 BALLPARK DR	Owner Name: BALLPARK DRIVE DEVELOPM	Owner Address: 67 HAVERTYS WAY	Phone: DEC 19 2005
Business Name:	Contractor Name: Quality Insulation	Contractor Address: 65 Downeast Drive Yarmouth	Phone: 2078467745
Lessee/Buyer's Name	Phone:	Permit Type: HVAC	Zone:



Past Use: single Family Home	Proposed Use: Single Family Home/ install a Gas direct vent Lennox Fireplace	Permit Fee: \$57.00	Cost of Work: \$3,210.00	CEO District: 5
Proposed Project Description: install a Gas direct vent Lennox Fireplace		FIRE DEPT: <input type="checkbox"/> Approved <input checked="" type="checkbox"/> Denied <i>N/A</i>	INSPECTION: Use Group: <i>U</i> Type: <i>Heating</i> <i>State Gas Regs</i>	
		Signature:	Signature:	
PEDESTRIAN ACTIVITIES DISTRICT (P.A.D.)				
Action: <input type="checkbox"/> Approved <input type="checkbox"/> Approved w/Conditions <input type="checkbox"/> Denied				
		Signature:	Date:	

Permit Taken By: Idobson	Date Applied For: 12/06/2005	Zoning Approval		
-----------------------------	---------------------------------	------------------------	--	--

<ol style="list-style-type: none"> This permit application does not preclude the Applicant(s) from meeting applicable State and Federal Rules. Building permits do not include plumbing, septic or electrical work. Building permits are void if work is not started within six (6) months of the date of issuance. False information may invalidate a building permit and stop all work.. 	Special Zone or Reviews <input type="checkbox"/> Shoreland <input type="checkbox"/> Wetland <input type="checkbox"/> Flood Zone <input type="checkbox"/> Subdivision <input type="checkbox"/> Site Plan Maj <input type="checkbox"/> Minor <input type="checkbox"/> MM <input type="checkbox"/> Date: <i>12/15/05</i>	Zoning Appeal <input type="checkbox"/> Variance <input type="checkbox"/> Miscellaneous <input type="checkbox"/> Conditional Use <input type="checkbox"/> Interpretation <input type="checkbox"/> Approved <input type="checkbox"/> Denied Date:	Historic Preservation <input checked="" type="checkbox"/> Not in District or Landmark <input type="checkbox"/> Does Not Require Review <input type="checkbox"/> Requires Review <input type="checkbox"/> Approved <input type="checkbox"/> Approved w/Conditions <input type="checkbox"/> Denied Date: <i>12/15/05</i>
--	---	---	--

CERTIFICATION

I hereby certify that I am the owner of record of the named property, or that the proposed work is authorized by the owner of record and that I have been authorized by the owner to make this application as his authorized agent and I agree to conform to all applicable laws of this jurisdiction. In addition, if a permit for work described in the application is issued, I certify that the code official's authorized representative shall have the authority to enter all areas covered by such permit at any reasonable hour to enforce the provision of the code(s) applicable to such permit.

SIGNATURE OF APPLICANT	ADDRESS	DATE	PHONE
RESPONSIBLE PERSON IN CHARGE OF WORK, TITLE		DATE	PHONE



FILL IN AND SIGN WITH INK

APPLICATION FOR PERMIT HEATING OR POWER EQUIPMENT

PERMIT ISSUED
DEC 19 2005
371A 45
CITY OF PORTLAND
051758

To the INSPECTOR OF BUILDINGS, PORTLAND, ME.

The undersigned hereby applies for a permit to install the following heating, cooking or power equipment in accordance with the Laws of Maine, the Building Code of the City of Portland, and the following specifications:

Location / CBL LOT 15 (25 BALPARK DR.) Use of Building SINGLE FAMILY Date 12/6/05
Name and address of owner of appliance FLOYD BROWN JR. CABOT
165 MOSHER RD, GORHAM, ME 04038
Installer's name and address TERRY ANDREWS QUALITY INSULATION CO INC.
65 DOWNEAST DR YARMOUTH, ME Telephone 846-7745

Location of appliance:

- Basement
- Floor
- Attic
- Roof

Type of Fuel:

- Gas
- Oil
- Solid

Appliance Name: LENNOX FIREDALE

U.L. Approved Yes No

Will appliance be installed in accordance with the manufacture's installation instructions? Yes No

IF NO Explain: _____

The Type of License of Installer:

- Master Plumber # _____
- Solid Fuel # _____
- Oil # _____
- Gas # DNT 4272
- Other _____

Type of Chimney:

Masonry Lined
Factory built _____

Metal
Factory Built U.L. Listing # _____

Direct Vent
Type METAL UL# _____

Type of Fuel Tank

- Oil
- Gas

Size of Tank _____

Number of Tanks 1

Distance from Tank to Center of Flame _____ feet,

Cost of Work: \$ 3210.00

Permit Fee: \$ 57.00

Approved

Approved with Conditions

Fire: _____

Ele.: _____

Bldg.: _____

See attached letter or requirement

Inspector's Signature

Date Approved

Signature of Installer

Terry Andrews

City of Portland, Maine - Building or Use Permit

389 Congress Street, 04101 Tel: (207) 874-8703, Fax: (207) 874-8716

Permit No: 05-1758	Date Applied For: 12/06/2005	CBL: 371 A045001
------------------------------	---------------------------------	----------------------------

Location of Construction: 25 BALLPARK DR	Owner Name: BALLPARK DRIVE DEVELOPME	Owner Address: 67 HAVERTYS WAY	Phone:
Business Name:	Contractor Name: Quality Insulation	Contractor Address: 65 Downeast Drive Yarmouth	Phone (207) 846-7745
Lessee/Buyer's Name	Phone:	Permit Type: HVAC	

Proposed Use: Single Family Home/ install a Gas direct vent Lennox Fireplace	Proposed Project Description: install a Gas direct vent Lennox Fireplace
---	---

Dept: Zoning	Status: Approved	Reviewer: Tammy Munson	Approval Date: 12/15/2005
Note:			Ok to Issue: <input checked="" type="checkbox"/>

Dept: Building	Status: Approved with Conditions	Reviewer: Tammy Munson	Approval Date: 12/15/2005
Note:			Ok to Issue: <input checked="" type="checkbox"/>
1) The installation must comply with the State of Maine Gas Regulations.			

Comments:
12/6/05-l Dobson: need more information on **unit** - Told customer at counter said he would **fax** the information LJD



HEARTH PRODUCTS

RETAIN THESE INSTRUCTIONS FOR FUTURE REFERENCE

This appliance may be installed in an aftermarket permanently located, manufactured home (USA only) or mobile home, where not prohibited by local codes. This appliance is only for use with the type of gas indicated on the rating plate. This appliance is not convertible for use with other gases, unless a certified kit is used.

WARNING: IF THE INFORMATION IN THIS MANUAL IS NOT FOLLOWED EXACTLY, A FIRE OR EXPLOSION MAY RESULT CAUSING PROPERTY DAMAGE, PERSONAL INJURY OR LOSS OF LIFE.

FOR YOUR SAFETY: Do not store or use gasoline or other flammable vapors or liquids in the vicinity of this or any other appliance.

FOR YOUR SAFETY: What to do if you smell gas:

- DO NOT fight any appliance.
- DO NOT touch any electrical switches.
- DO NOT use any phone in your building.
 - Immediately call your gas supplier from a neighbor's phone. Follow your gas supplier's instructions.
- If your gas supplier cannot be reached, call the fire department.

Installation and service must be performed by a qualified installer, service agency or the gas supplier.



OMNI-Test Laboratories, Inc.

OTL Report No. 116-F-13-4

NOTE: DIAGRAMS & ILLUSTRATIONS HOT TO SCALE.

INSTALLATION INSTRUCTIONS

DIRECT VENT MPD-33/35/40/45 SERIES

VENTED GAS FIREPLACE HEATERS - DIRECT VENT MODELS
P/N 850,014M REV. L 1012004

MODELS

Millivolt Models

MPDT-3328CNM MPD-4035CNM
MPDT-3328CPM MPD-4035CNM-B
MPDR-3328CNM MPD-4035CPM
MPDR-3328CPM MPD-4540CNM
MPD-3530CNM MPD-4540CNM-B
MPD-3530CNM-B MPD-4540CPM
MPD-3530CPM

Electronic Models

MPDT-3328CNE MPD-4035CNE
MPDT-3328CPE MPD-4035CPE
MPDR-3328CNE MPD-4540CNE
MPDR-3328CPE MPD-4540CPE
MPD-3530CNE
MPD-3530CPE

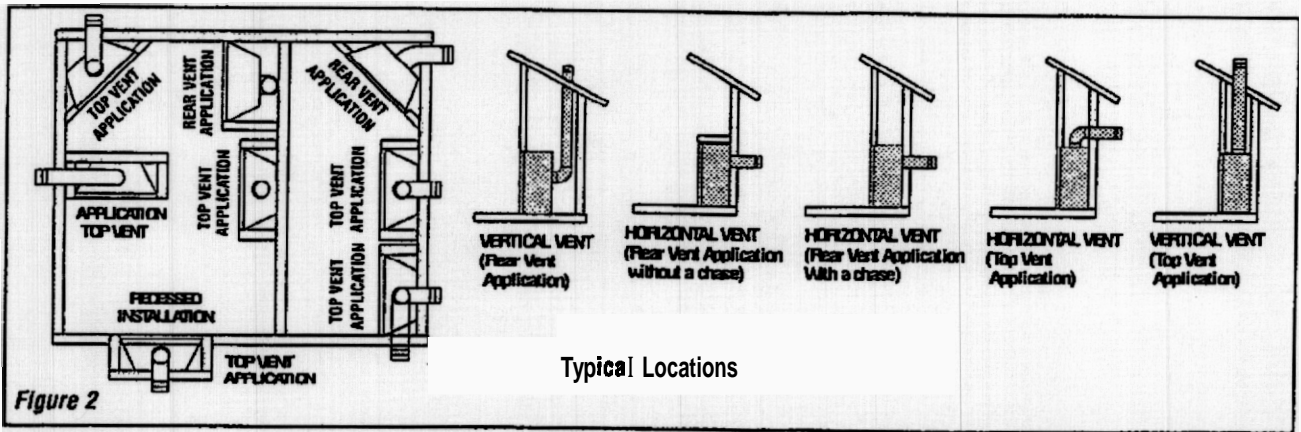
AVERTISSEMENT: ASSUREZ-VOUS DE BIEN SUIVRE LES INSTRUCTIONS DONNÉ DANS CETTE NOTICE POUR REDUIRE AU MINIMUM LE RISQUE D'INCENDIE OU POUR ÉVITER TOUT DOMMAGE MATÉRIEL, TOUTE BLESSURE OU LA MORT.

POUR VOTRE SÉCURITÉ: Ne pas entreposer ni utiliser d'essence ni d'autres vapeurs ou liquides inflammables dans le voisinage de cet appareil ou de tout autre appareil.

POUR VOTRE SÉCURITÉ: Que faire si vous sentez une odeur de gaz:

- Ne pas tenter d'allumer d'appareil.
- Ne touchez à aucun interrupteur. Ne pas vous servir des téléphones se trouvant dans le bâtiment où vous vous trouvez.
- Evacuez la pièce, le bâtiment ou la zone.
- Appelez immédiatement votre fournisseur de gaz depuis un voisin. Suivez les instructions du fournisseur.
- Si vous ne pouvez rejoindre le fournisseur de gaz, appelez le service des incendies.

L'installation et service doit être exécuté par un qualifié installateur, agence de service ou le fournisseur de gaz.



LOCATION

In selecting the location, the aesthetic and functional use of the appliance are primary concerns. However, vent system routing to the exterior and access to the fuel supply are also important. Consideration should be given to traffic ways, furniture, draperies, etc., due to elevated surface temperatures (Figure 2). The location should also be free of electrical, plumbing or other heating/air conditioning ducting.

These direct vent appliances are uniquely suited for installations requiring a utility shelf positioned directly above the fireplace. Utility shelves like these are commonly used for locating television sets and decorative plants.

To provide for the lowest possible shelf surface use the alternate rear vent outlet with attached venting routed in a way to minimize obstructions to the use of the space above the appliance. Do not insulate the space between the appliance and the area above it. See Figure 3. The minimum height from the base of the appliance to the underside of combustible materials used to construct a utility shelf in this fashion is shown in the table in Figure 3.

The appliance should be mounted on a fully supported base extending the full width and depth of the unit. The appliance may be located on or near conventional construction materials. However, if installed on combustible materials, such as carpeting, vinyl tile, etc., a metal or wood barrier covering the entire bottom surface must be used.

APPLIANCE AND VENT CLEARANCES

The appliance is approved with zero clearance to combustible materials on all sides (as detailed in Table 2), with the following exception: when the unit is installed with one side flush with a wall, the wall on the other side of the unit must not extend beyond the front edge of the unit. In addition, when the unit is recessed, the walls surrounding the unit must not extend beyond the front edge of the unit. See Figure 2.

Model No.	Shelf Height Inches (mm)			
	Top Vent - with One 90 Degree Elbow		Rear Vent - Straight Out the Back	
	Secure Vent	Secure Flex	Secure Vent	Secure Flex
MPDT-3328	44 1/8 (1121)	45 7/8 (1165)	N/A	N/A
MPDR-3328	N/A	N/A	33 1/4 (845)	33 1/4 (845)
MPD-3530	46 1/8 (1172)	47 7/8 (1216)	35 1/4 (895)	35 1/4 (895)
MPD-4035	51 1/8 (1298)	52 7/8 (1343)	40 1/4 (1022)	40 1/4 (1022)
MPD-4540				

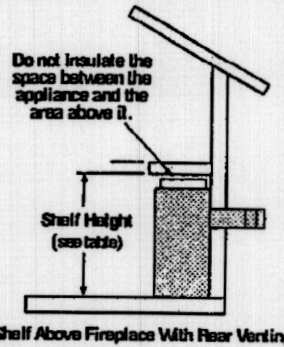
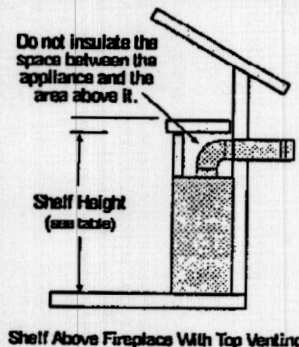


Figure 3



BACK	1/2 in. (13 mm) 0 in. (0 mm) spacers
SIDES	1/2 in. (13 mm)** 0 in. (0 mm) spacers
TOP SPACERS	0 in. (0 mm)
FLOOR	0 in. (0 mm)
From Bottom of Unit to Ceiling	64 in. (1626 mm)
VENT	1 in. (25.4 mm)*
SERVICE CLEARANCES	
FRONT	3 Feet. (0.9 meters)

*Note: 3 in. (75 mm) above any horizontal/ inclined vent component,

**Note: See page 5, step 1 for clearance requirements to the nailing flange located at each side of the unit and any screw heads adjacent to it.

If the terminus of the last section is not within this distance, use the telescopic vent section SV4.5LA, as the last vent section. For wall thicknesses greater than that shown in Figure 33, refer to table 4 on page 77. This table lists the additional venting components needed (in addition to the termination and adapter) for a particular range of wall thicknesses.

K. Attach termination adapter - Attach the adapter (adapter - SV4.5RCH - provided with the termination) to the vent section or telescoping vent section), elbow or appliance collar as shown in Figure 33 in the same manner as any SV4.5 vent component (refer to Step E).

L. Install Firestop/Spacer at exterior wall - When using the square termination, install SV4.5HF (Secure Vent), SF4.5HF (SecureFlex) Firestop/Spacer over the opening at the exterior side of the framing, long side up, with the 3 inch spacer clearance at the top as shown in figure 33, and nail into place.

(The Firestop/Spacer may also be installed over the opening at the interior side of the framing.) When using the round termination, a separate firestop/spacer is not required since this termination has integral spacers which provide the same function as a separate firestop/spacer.

M. Install the desired termination - See the horizontal venting figures for application restrictions on the round termination (SV4.5HTR) and the small square horizontal termination (SV4.5HTSS).

1. Install the square termination (SV4.5HTS) or (SV4.5HTSS) - For the last step, from outside the Exterior wall, slide the collars of the termination onto the adapter (the outer over the outer and the inner inside the inner) until the termination seats against the exterior wall surface to which it will be attached. Orient the housing of the termination with the arrow pointed upwards. Secure the termination to the exterior wall. The horizontal termination must not be recessed into the exterior wall or siding by more than the 1/4" (32 mm) as shown in Figure 32.

2. Install the round termination (SV4.5HTR) - See Figure 35 for an illustration of the round termination. For the last step, from outside the exterior wall, slide the collars of the termination into the adapter (the outer over the outer and the inner inside the inner) until the termination seats against the exterior wall surface to which it will be attached. Orient the housing of the termination with the arrow pointed upwards. Secure the termination to the exterior wall.

The SV4.5HTR Round Termination may not be used when the appliance is vented directly out the wall from the rear. Do Not recess the SV4.5HTR round termination at all

FHRK Snorkel Cap - The snorkel cap is designed to be fitted into a basement window box. The SFHRK cap is for use with flex vent pipe.

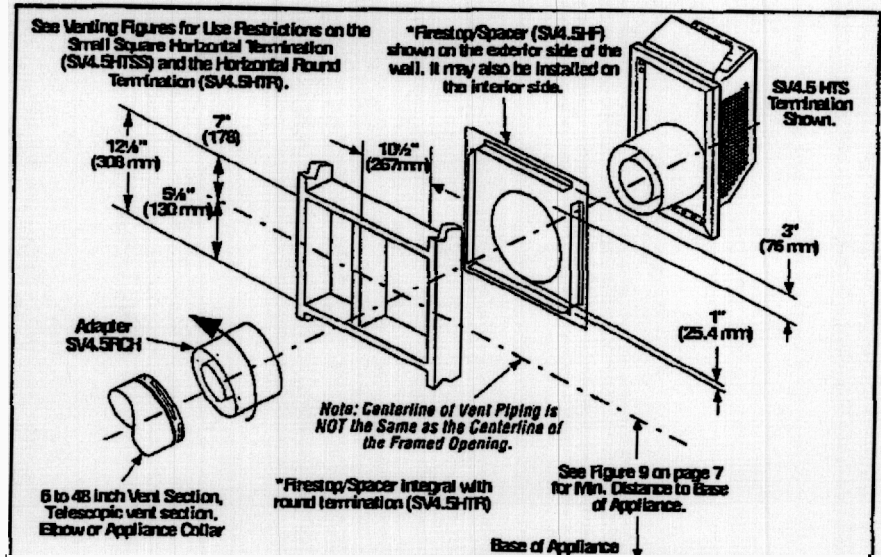


Figure 33 Installing the Square Horizontal Termination (SV4.5HTS), Small Square Horizontal Termination (SV4.5HTSS) or Round Horizontal Termination (SV4.5HTR).

Note - The SV4.5HTR Horizontal Round Termination may NOT be recessed at all.

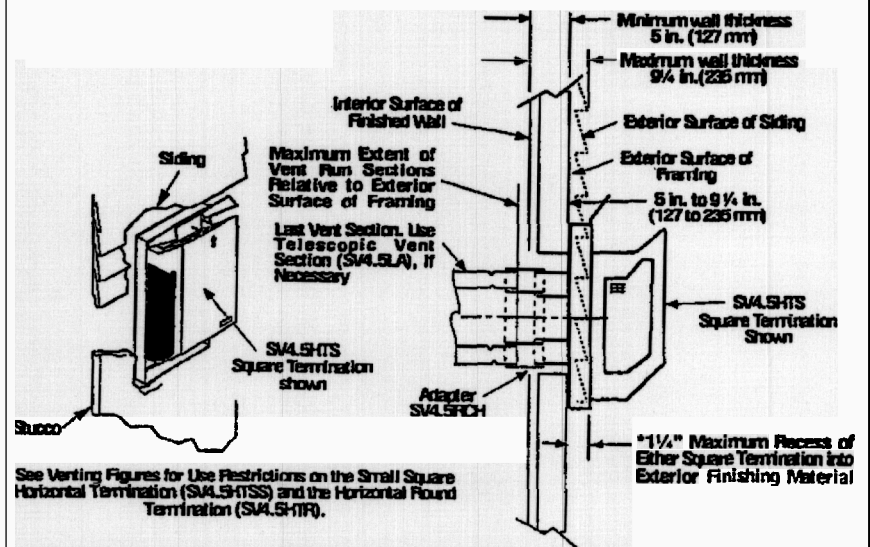


Figure 34 Venting Connection and Exterior Wall Recessing of the Horizontal Square Termination (SV4.5HTS), Small Square Termination (SV4.5HTSS) or Round Termination (SV4.5HTR).

The vertical distance between the inlet and outlet of the cap is 28 in. (711 mm).

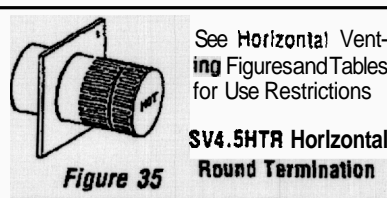


Figure 35

Distance Range of Last Vent Section to Termination Mounting Surface *		
Models	X Inches (mm)	Y Inches (mm)
MPDT-3328	6	10 1/4
MPDR-3328	(152)	(260)
MPD-3530	5	9 1/4
MPO-4035	(127)	(235)
MPD-4540		

Table 3

*See Figure 34.

NOTE: DIAGRAMS & ILLUSTRATIONS NOT TO SCALE

HORIZONTAL VENT FIGURES/TABLES

Note: Secure Vent components (rigid vent pipe and terminal) are shown in the figures; Secure Flex components (flexible vent pipe and terminal) may also be used.

Note: Two 45 degree elbows may be used in place of one 90 degree elbow. The same rise to run ratios, as shown in the venting figures for 90 elbows, must be followed if 45 degree elbows are used.

Note: SV4.5BF (Secure Vent), SF4.5BF (Secure Flex) firestop/spacer must be used anytime vent pipe passes through a combustible floor or ceiling. SV4.5HF (Secure Vent), SF4.5HF (Secure Flex) firestop/spacer must be used anytime vent pipe passes through a combustible wall.

WARNING: UNDER NO CIRCUMSTANCES MAY SEPARATE SECTIONS OF CONCENTRIC FLEXIBLE VENT PIPE BE JOINED TOGETHER.

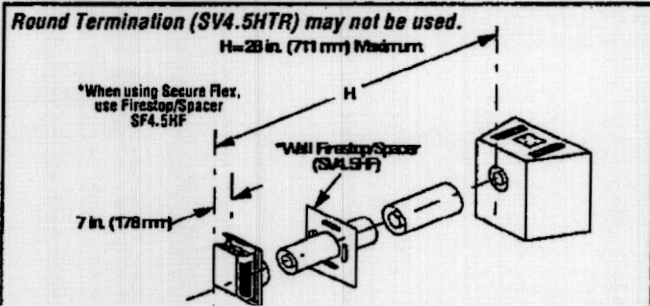
Note: It is very important that the horizontal/inclined run be maintained in a straight (no dips) and recommended to be in a slightly elevated plane, in a direction away from the fireplace of 1/4" rise per foot (20 mm per meter) which is ideal, though rise per foot run ratios that are smaller are acceptable all the way down to at or near level.

TABLE 4

Venting Components Required for Various Exterior Wall Thicknesses, When Using Any of These Termination Kits - Square Termination (SV4.5HTS), Small Square Termination (SV4.5HTSS) Round Termination (SV4.5HTR)

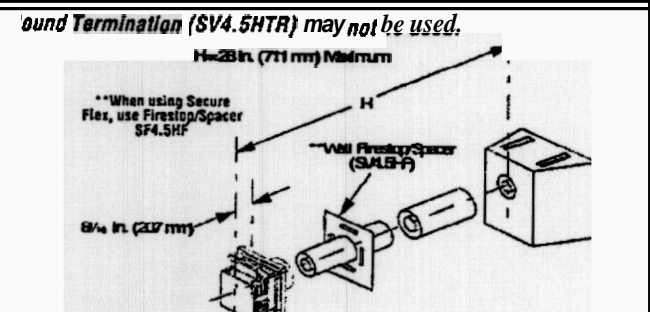
Venting Components Required	Exterior Wall Thickness Inches (mm)	
	MPD-3530 MPD-4035 MPD-4540	MPDT-3328 MPDR-3328
Termination Kit Only	5 to 9 1/4 (127 to 235)	6 to 10 1/4 (152 to 260)
Termination Kit and 6 in. vent section (SV4.5L6)	9 1/4 to 13 3/4 (235 to 349)	10 1/4 to 14 3/4 (260 to 375)
Termination Kit and 12 in. vent section (SV4.5L12)	15 3/4 to 19 3/4 (400 to 502)	16 3/4 to 20 3/4 (425 to 527)
Termination Kit and Telescopic section (SV4.5LA) and 6 in. vent section (SV4.5L6)	10 3/4 to 20 3/4 (273 to 527)	11 3/4 to 21 3/4 (298 to 552)

*Note: See Figure 34 for wall thickness range reductions when using SV4.5HTS and Figure 35 when using SV4.5HTSS terminations.



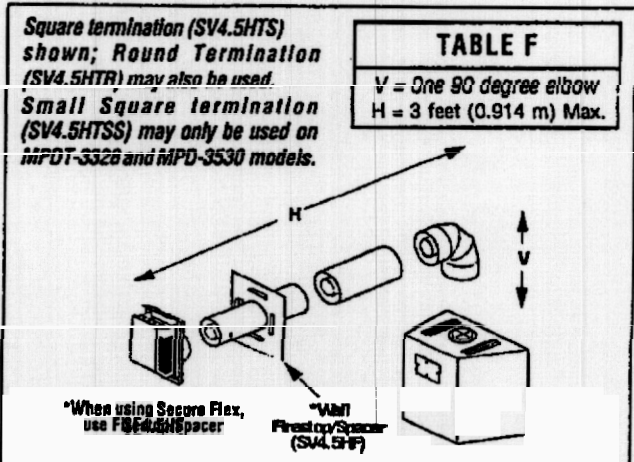
See Table 4 as an aid in venting component selection for a particular range of exterior wall thicknesses.

Figure 36 - Rear Vent - NO ELBOWS - Square Horizontal Termination (SV4.5HT3)



See Table 4 as an aid in venting component selection for a particular range of exterior wall thicknesses.

Figure 37 - Rear Vent - NO ELBOWS - for MPDR-3328 and MPD-3530 models only - Small Square Horizontal Termination (SV4.5HTSS)



See Table 4 as an aid in venting component selection for a particular range of exterior wall thicknesses.

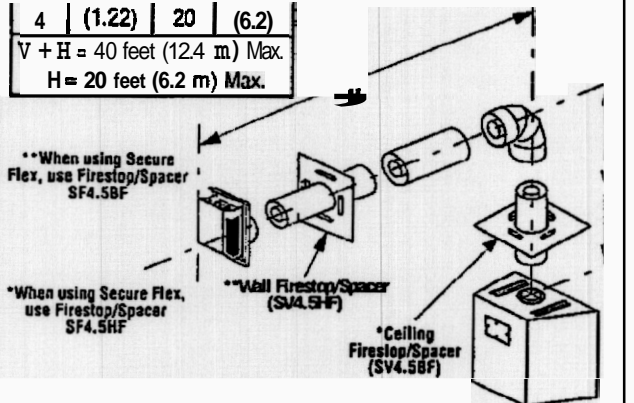
Figure 38 - Top Vent - ONE 90 DEGREE ELBOW - ELBOW CONNECTION AT APPLIANCE

TABLE G

V Minimum		H Maximum	
feet	(m)	feet	(m)
1	(0.305)	5	(1.52)
2	(0.61)	10	(3.1)
3	(0.914)	15	(4.65)
4	(1.22)	20	(6.2)

V + H = 40 feet (12.4 m) Max.
H = 20 feet (6.2 m) Max.

Square termination (SV4.5HTS) shown; Round Termination (SV4.5HTR) may also be used. Small Square termination (SV4.5HTSS) may only be used on MPDT-3328 and MPD-3530 models.



See Table 4 as an aid in venting component selection for a particular range of exterior wall thicknesses.

Figure 39 - TOP Vent - ONE 90 DEGREE ELBOW - ELBOW CONNECTION NOT DIRECTLY AT APPLIANCE

NOTE: DIAGRAMS & ILLUSTRATIONS NOT TO SCALE.