





FILL IN AND SIGN WITH INK

# APPLICATION FOR PERMIT HEATING OR POWER EQUIPMENT

371 A 043

PERMIT ISSUED

AUG 11 2006

To the INSPECTOR OF BUILDINGS, PORTLAND, ME.

The undersigned hereby applies for a permit to install the following heating, cooking or power equipment in accordance with the Laws of Maine, the Building Code of the City of Portland, and the following specifications:

Location / CBL 41 BALLPARK DRIVE Use of Building HOME Date 8/2/06  
 Name and address of owner of appliance DONALDO  
141 MAIN ST. SO. PORTLAND  
 Installer's name and address QUALITY INSULATION INC.  
65 DOWNEY DR. WARREN ME Telephone 207-846-2745

### Location of appliance:

- Basement  Floor  
 Attic  Roof

### Type of Fuel:

- Gas  Oil  Solid

Appliance Name: LENNOX MPD 4035 CPM

U.L. Approved  Yes  No

Will appliance be installed in accordance with the manufacture's installation instructions?  Yes  No

IF NO Explain: \_\_\_\_\_

### The Type of License of Installer:

- Master Plumber # \_\_\_\_\_  
 Solid Fuel # \_\_\_\_\_  
 Oil # \_\_\_\_\_  
 Gas # # PNT 4272  
 Other \_\_\_\_\_

### Type of Chimney:

- Masonry Lined  
 Factory built \_\_\_\_\_

- Metal  
 Factory Built U.L. Listing # \_\_\_\_\_

Direct Vent Type \_\_\_\_\_ uL# \_\_\_\_\_

### Type of Fuel Tank

- Oil  
 Gas

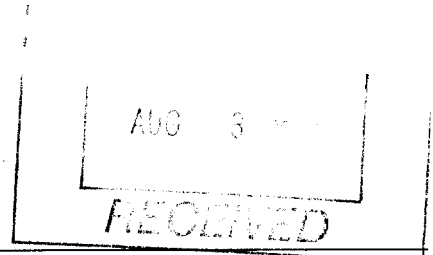
Size of Tank \_\_\_\_\_

Number of Tanks \_\_\_\_\_

Distance from Tank to Center of Flame \_\_\_\_\_ feet.

Cost of Work: \$ 1515.00

Permit Fee: \$ 40



### Approved

Fire: \_\_\_\_\_  
 Ele.: \_\_\_\_\_  
 Bldg.: [Signature]

### Approved with Conditions

- See attached letter or requirement

Inspector's Signature

Date Approved

Signature of Installer [Signature]

**City of Portland, Maine - Building or Use Permit**

389 Congress Street, 04101 Tel: (207) 874-8703, Fax: (207) 874-8716

Permit No: 06-1142	Date Applied For: 08/03/2006	CBL: 371 A043001
-----------------------	---------------------------------	---------------------

<b>Location of Construction:</b> 41 BALLPARK DR	<b>Owner Name:</b> MARTELL BUILDERS LLC	<b>Owner Address:</b> 46 DEVONSHIRE ST	<b>Phone:</b>
<b>Business Name:</b>	<b>Contractor Name:</b> Quality Insulation	<b>Contractor Address:</b> 65 Downeast Drive Yarmouth	<b>Phone</b> (207) 846-7745
<b>Lessee/Buyer's Name</b>	<b>Phone:</b>	<b>Permit Type:</b> HVAC	

<b>Proposed Use:</b> Single Family install a Lennox w/ direct venting	<b>Proposed Project Description:</b> Install a Lennox w/ direct venting
--	--



# LENNOX®

HEARTH PRODUCTS

RETAIN THESE INSTRUCTIONS  
FOR FUTURE REFERENCE

This appliance may be installed in an aftermarket permanently located, manufactured home (USA only) or mobile home, where not prohibited by local codes. This appliance is only for use with the type of gas indicated on the rating plate. This appliance is not convertible for use with other gases, unless a certified kit is used.

**WARNING: IF THE INFORMATION IN THIS MANUAL IS NOT FOLLOWED EXACTLY, A FIRE OR EXPLOSION MAY RESULT CAUSING PROPERTY DAMAGE, PERSONAL INJURY OR LOSS OF LIFE.**

**FOR YOUR SAFETY:** Do not store or use gasoline or other flammable vapors or liquids in the vicinity of this or any other appliance.

**FOR YOUR SAFETY:** What to do if you smell gas:

- DO NOT light any appliance.
- DO NOT touch any electrical switches.
- DO NOT use any phone in your building.
- Immediately call your gas supplier from a neighbor's phone. Follow your gas suppliers instructions.
- If your gas supplier cannot be reached, call the fire department.

Installation and service must be performed by a qualified installer, service agency or the gas supplier.



OMNI-Test Laboratories, Inc.

OTL Report No. 116-F-13-4

## INSTALLATION INSTRUCTIONS

### DIRECT VENT MPD-33/35/40/45 SERIES

VENTED GAS FIREPLACE HEATERS - DIRECT VENT MODELS  
P/N 850,014M REV. L 10/2004

#### MODELS

##### Millivolt Models

MPDT-3328CNM	MPD-4035CNM
MPDT-3328CPM	MPD-4035CNM-B
MPDR-3328CNM	MPD-4035CPM
MPDR-3328CPM	MPD-4540CNM
MPD-3530CNM	MPD-4540CNM-B
MPD-3530CNM-B	MPD-4540CPM
MPD-3530CPM	

##### Electronic Models

MPDT-3328CNE	MPD-4035CNE
MPDT-3328CPE	MPD-4035CPE
MPDR-3328CNE	MPO-4540CNE
MPDR-3328CPE	MPD-4540CPE
MPD-3530CNE	
MPD-3530CPE	

**AVERTISSEMENT: ASSUREZ-VOUS DE BIEN SUIVRE LES INSTRUCTIONS DONNÉ DANS CETTE NOTICE POUR REDUIRE AU MINIMUM LE RISQUE D'INCENDIE OU POUR EVITER TOUT DOMMAGE MATERIEL, TOUTE BLESSURE OU LA MORT.**

**POUR VOTRE SECURITE:** Ne pas entreposer ni utiliser d'essence ni d'autres vapeurs ou liquides inflammables dans le voisinage de cet appareil ou de tout autre appareil.

**POUR VOTRE SECURITE:** Que faire si vous sentez une odeur de gaz:

- Ne pas tenter d'allumer d'appareil.
- Ne touchez aucun interrupteur. Ne pas vous servir des téléphones se trouvant dans le bâtiment où vous vous trouvez.
- Evacuez la pièce, le bâtiment ou la zone.
- Appelez immédiatement votre fournisseur de gaz depuis un voisin. Suivez les instructions du fournisseur.
- Si vous ne pouvez rejoindre le fournisseur de gaz, appelez le service des incendies.

L'installation et service doit être exécuté par un qualifié installateur, agence de service ou le fournisseur de gaz.

NOTE: DIAGRAMS & ILLUSTRATIONS NOT TO SCALE

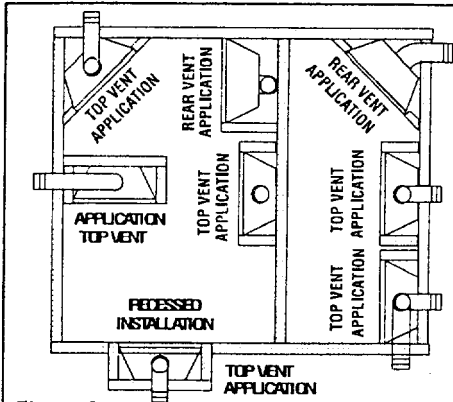
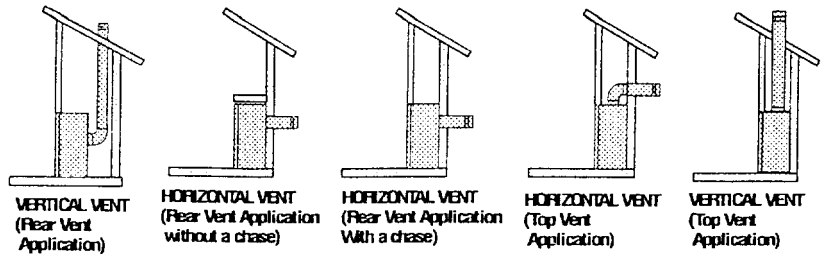


Figure 2



Typical Locations

**LOCATION**

In selecting the location, the aesthetic and functional use of the appliance are primary concerns. However, vent system routing to the exterior and access to the fuel supply are also important. Consideration should be given to traffic ways, furniture, draperies, etc., due to elevated surface temperatures (Figure 2). The locations should also be free of electrical, plumbing or other heating/air conditioning ducting.

These direct vent appliances are uniquely suited for installations requiring a utility shelf positioned directly above the fireplace. Utility shelves like these are commonly used for locating television sets and decorative plants.

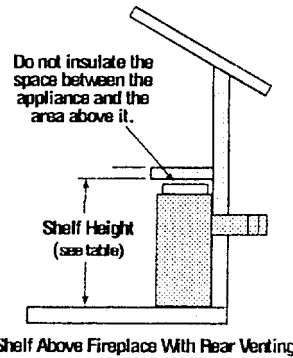
To provide for the lowest possible shelf surface use the alternate rear vent outlet with attached venting routed in a way to minimize obstructions to the use of the space above the appliance. **Do not insulate the space between the appliance and the area above it.** See Figure 3. The minimum height from the base of the appliance to the underside of combustible materials used to construct a utility shelf in this fashion is shown in the table in Figure 3.

The appliance should be mounted on a fully supported base extending the full width and depth of the unit. The appliance may be located on or near conventional construction materials. However, if installed on combustible materials, such as carpeting, vinyl tile, etc., a metal or wood barrier covering the entire bottom surface must be used.

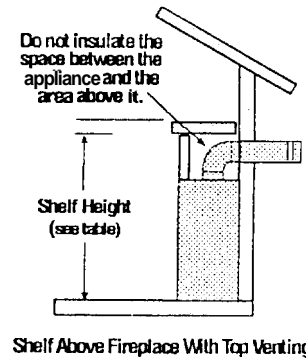
**APPLIANCE AND VENT CLEARANCES**

The appliance is approved with zero clearance to combustible materials on all sides (as detailed in Table 2), with the following exception: When the unit is installed with one side flush with a wall, the wall on the other side of the unit must not extend beyond the front edge of the unit. In addition, when the unit is recessed, the side walls surrounding the unit must not extend beyond the front edge of the unit. See Figure 2.

Model No.	Shelf Height inches (mm)			
	Top Vent - with One 90 Degree Elbow		Rear Vent - Straight Out the Back	
	Secure Vent	Secure Flex	Secure Vent	Secure Flex
MPDT-3328	44 1/8 (1121)	45 7/8 (1165)	N/A	N/A
MPDR-3328	N/A	N/A	33 1/4 (845)	33 1/4 (845)
MPD-3530	46 1/8 (1172)	47 7/8 (1216)	35 1/4 (895)	35 1/4 (895)
MPD-4035 MPD-4540	51 1/8 (1298)	52 7/8 (1343)	40 1/4 (1022)	40 1/4 (1022)



Shelf Above Fireplace With Rear Venting



Shelf Above Fireplace With Top Venting

Figure 3

BACK	1/2 in. (13 mm) 0 in. (0 mm) spacers
SIDES	1/2 in. (13 mm)** 0 in. (0 mm) spacers
TOP SPACERS	0 in. (0 mm)
FLOOR	0 in. (0 mm)
From Bottom of Unit to Ceiling	64 in. (1626 mm)
VENT	1 in. (25.4 mm)*
SERVICE CLEARANCES	
FRONT	3 Feet. (0.9 meters)

Table 2

\*Note: 3 in. (75 mm) above any horizontal/ inclined vent component.

\*\*Note: See page 5, step 1 for clearance requirements to the nailing flange located at each side of the unit and any screw heads adjacent to it.

If the terminus of the last section is not within this distance, use the telescopic vent section **SV4.5LA**, as the last vent section. For wall thicknesses greater than that shown in *figure 33*, refer to *table 4 on page 77*. This table lists the additional venting components needed (in addition to the termination and adapter) for a particular range of wall thicknesses.

**K. Attach termination adapter** - Attach the adapter (adapter - **SV4.5RCH** - provided with the termination) to the vent section or telescopic vent section), elbow or appliance collar as shown in *figure 33* in the same manner as any **SV4.5** vent component (refer to Step E).

**L. Install Firestop/Spacer** at exterior wall - When using the square termination, install **SV4.5HF** (Secure Vent), **SF4.5HF** (Secure Flex) Firestop/Spacer over the opening at the exterior side of the framing, long side up, with the 3 inch spacer clearance at the top as shown in *Figure 33*, and nail into place.

(The Firestop/Spacer may also be installed over the opening at the interior side of the framing.) When using the round termination, a separate firestop/spacer is not required since this termination has integral spacers which provide the same function as a separate firestop/spacer.

**M. install the desired termination** - See the horizontal venting figures for application restrictions on the round termination (**SV4.5HTR**) and the small square horizontal termination (**SV4.5HTSS**).

**1. Install the square termination (SV4.5HTS) or (SV4.5HTSS)** - For the last step, from outside the exterior wall, slide the collars of the termination onto the adapter (the outer over the outer and the inner inside the inner) until the termination seats against the exterior wall surface to which it will be attached. Orient the housing of the termination with the arrow pointed upwards. Secure the termination to the exterior wall. The horizontal termination must not be recessed into the exterior wall or siding by more than the 1 1/4" (32 mm) as shown in *Figure 32*.

**2. Install the round termination (SV4.5HTR)** - See *figure 35* for an illustration of the round termination. For the last step, from outside the exterior wall, slide the collars of the termination onto the adapter (the outer over the outer and the inner inside the inner) until the termination seats against the exterior wall surface to which it will be attached. Orient the housing of the termination with the arrow pointed upwards. Secure the termination to the exterior wall.

The **SV4.5HTR** Round Termination may not be used when the appliance is vented directly out the wall from the rear. Do Not recess the **SV4.5HTR** round termination at all

**SFHRK Snorkel Cap** - The snorkel cap is designed to be fitted into a basement window box. The **SFHRK** cap is for use with flex vent pipe.

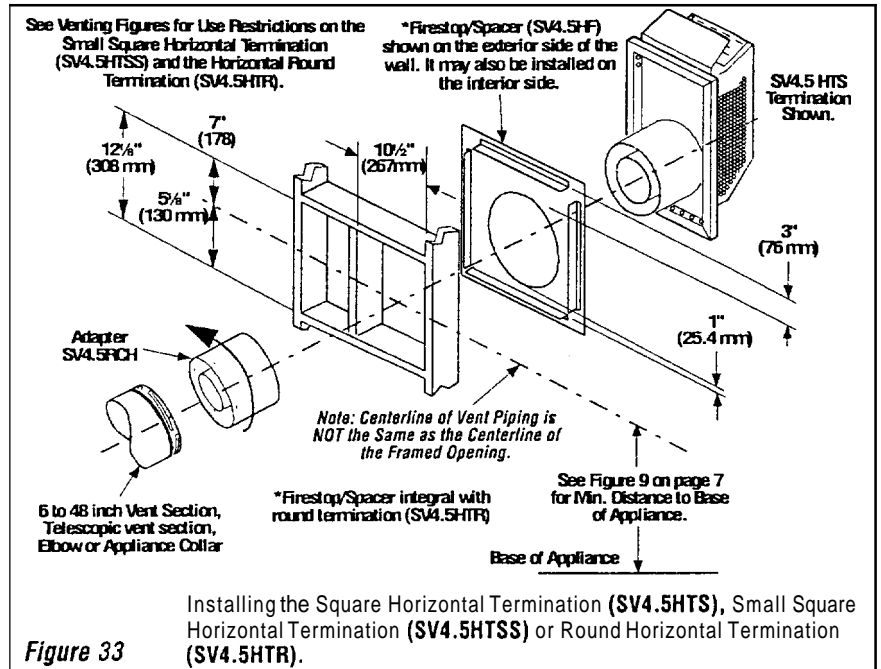
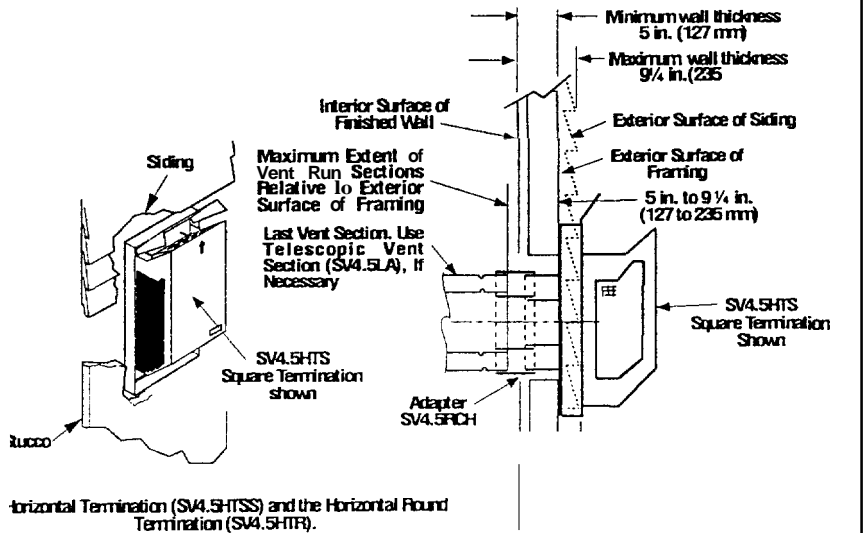
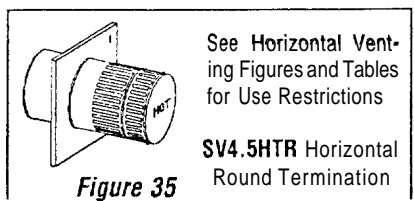


Figure 33

Note - The **SV4.5HTR** Horizontal Round Termination may NOT be recessed at all.



The vertical distance between the inlet and outlet of the cap is 28 in. (711 mm)



Distance Range of Last Vent Section to Termination Mounting Surface \*

Models	X inches (mm)	Y inches (mm)
MPDR-3328	(152)	(260)
MPD-3530 MPD-4035	5 (127)	9 1/4 (235)
MPD-4540		

Table 3

\*See Figure 34.

NOTE: DIAGRAMS & ILLUSTRATIONS NOT TO SCALE

**HORIZONTAL VENT FIGURES/TABLES**

**Note:** Secure Vent components (rigid vent pipe and terminal) are shown in the figures; Secure Flex components (flexible vent pipe and terminal) may also be used.

**Note:** Two 45 degree elbows may be used in place of one 90 degree elbow. These same rise to run ratios, as shown in the venting figures for 90 elbows, must be followed if 45 degree elbows are used.

**Note:** SV4.5BF (Secure Vent), SF4.5BF (Secure Flex) firestop/spacer must be used anytime vent pipe passes through a combustible floor or ceiling. SV4.5HF (Secure Vent), SF4.5HF (Secure Flex) firestop/spacer must be used anytime vent pipe passes through a combustible wall.

**WARNING: UNDER NO CIRCUMSTANCES MAY SEPARATE SECTIONS OF CONCENTRIC FLEXIBLE VENT PIPE BE JOINED TOGETHER.**

**Note:** It is very important that the horizontal/inclined run be maintained in a straight (no dips) and recommended to be in a slightly elevated plane, in a direction away from the fireplace of 1/4" rise per foot (20 mm per meter) which is ideal, though rise per foot ratios that are smaller are acceptable all the way down to at or near level.

**TABLE 4**

**Venting Components Required for Various Exterior Wall Thicknesses, When Using Any of These Termination Kits - Square Termination (SV4.5HTS), Small Square Termination (SV4.5HTSS) Round Termination (SV4.5HTR)**

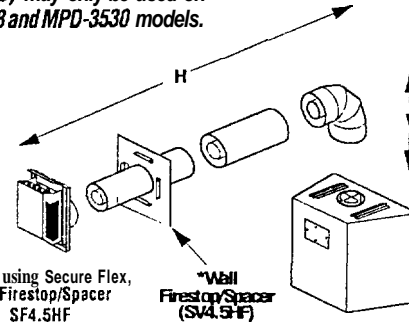
Venting Components Required	Exterior Wall Thickness inches (mm)	
	MPD-3530 MPD-4035 MPD-4540	MPDT-3328 MPDR-3328
Termination Kit Only	5 to 9 1/4 (127 to 235)	6 to 10 1/4 (152 to 260)
Termination Kit and 6 in. vent section (SV4.5L6)	9 1/4 to 13 3/4 (235 to 349)	10 1/4 to 14 3/4 (260 to 375)
Termination Kit and 12 in. vent section (SV4.5L12)	15 3/4 to 19 3/4 (400 to 502)	16 3/4 to 20 3/4 (425 to 527)
Termination Kit and Telescopic section (SV4.5LA) and 6 in. vent section (SV4.5L6)	10 3/4 to 20 3/4 (273 to 527)	11 3/4 to 21 3/4 (298 to 552)

**Note:** See Figure 34 for wall thickness range reductions when using SV4.5HTS and Figure 35 when using SV4.5HTSS terminations.

Square termination (SV4.5HTS) shown; Round Termination (SV4.5HTR) may also be used. Small Square termination (SV4.5HTSS) may only be used on MPDT-3328 and MPD-3530 models.

**TABLE F**

V = One 90 degree elbow  
H = 3 feet (0.914 m) Max.

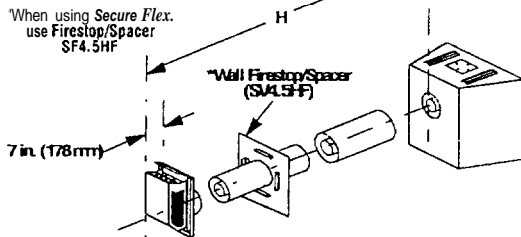


See Table 4 as an aid in venting component selection for a particular range of exterior wall thicknesses.

**Figure 38 - Top Vent - ONE 90 DEGREE ELBOW - ELBOW CONNECTION AT APPLIANCE**

Round Termination (SV4.5HTR) may not be used.

H = 28 in. (711 mm) Maximum



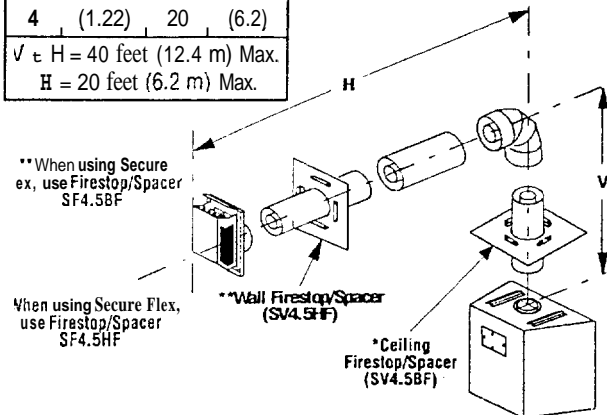
See Table 4 as an aid in venting component selection for a particular range of exterior wall thicknesses.

**Figure 36 - Rear Vent - NO ELBOWS - Square Horizontal Termination (SV4.5HTS)**

**TABLE G**

V Minimum	H Maximum
(0.305)	(1.52)
(0.61)	(3.1)
3 (0.914)	15 (4.65)
4 (1.22)	20 (6.2)
V < H = 40 feet (12.4 m) Max.	
H = 20 feet (6.2 m) Max.	

Square termination (SV4.5HTS) shown; Round Termination (SV4.5HTR) may also be used. Small Square termination (SV4.5HTSS) may only be used on MPDT-3328 and MPD-3530 models.

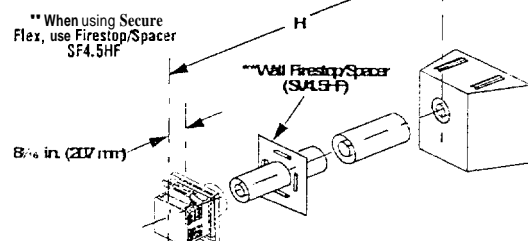


See Table 4 as an aid in venting component selection for a particular range of exterior wall thicknesses.

**Figure 39 - Top Vent - ONE 90 DEGREE ELBOW - ELBOW CONNECTION NOT DIRECTLY AT APPLIANCE**

Round Termination (SV4.5HTR) may not be used.

H = 28 in. (711 mm) Maximum



See Table 4 as an aid in venting component selection for a particular range of exterior wall thicknesses.

**Figure 37 - Rear Vent - NO ELBOWS - for MPDR-3328 and MPD-3530 models only - Small Square Horizontal Termination (SV4.5HTSS)**