

Hybrid Flex Submittal

AOU36RLXFZ

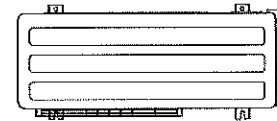
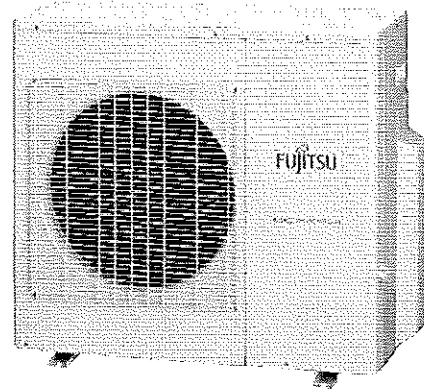
Hybrid Flex Inverter System Heat Pump



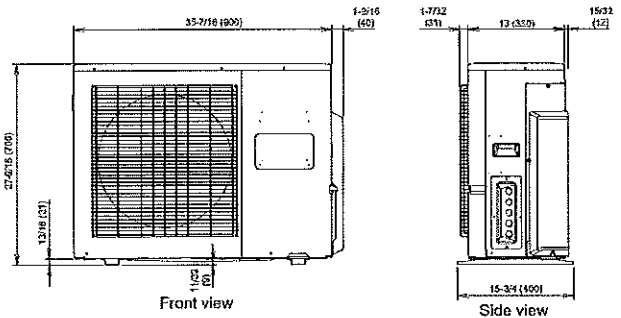
Job Name: _____
 Location: _____
 Engineer: _____
 Submitted to: _____
 Submitted by: _____
 Reference: _____

Approval: _____
 Date: _____
 Construction: _____
 Unit #: _____
 Drawing #: _____

	General Data (at 230V)	
Power	208-230VAC-1ph-60Hz	
Fuse Size, Max.	30A	
Minimum Circuit Ampacity(MCA)	20.1A	
Compressor	Inverter driven variable speed DC Twin Rotary	
No. used	1	
Output	1,300W	
Lubrican Oil	POE	
Fan type	Propeller	
Motor Output	100W	
CFM Cooling/Heating (High)	2,119 / 2,237	
Refrigerant	410A	
Outdoor unit charge	7.6lbs 4oz.(3,300g)	
Control	Electronic Expansion Valve	
O.D. Discharge (in)	1/4"(Flare)	
O.D Suction (in)	3/8"(Flare)	
Dimensions	H x W x D	
Uncrated (in)	32-11/16 x 35-7/16 x 13	
	(mm) (830 x 900 x 330)	
Crated (in)	38-3/16 x 41-11/32 x 17-17/32	
	(mm) (970 x 1,050 x 445)	
Weight	Outdoor	
Net	149lbs(68kg)	
Gross Shipping	165lbs (75kg)	
Cooling Capacity	34,400(11,000~36,000)BTU/h	
Rated Power Input	4.07kW	
Max. Power Input	4.24kW	
Outdoor Sound Rating	53dB	
Heating Capacity	36,400 (11,000-42,000)BTU/h	
Rated Power Input	3.21kW	
Max. Power Input	3.78kW	
Outdoor Sound Rating	55dB	
Piping Lengths		
Pre-charge length	164ft	
Max. Piping Length (Total)	230ft	
Max. length (each)	82ft	
Min. length (total)	66ft	
Min. length (each)	16ft	
Max. Pipe Height Difference		
Between condenser and each indoor unit	49ft	
Between indoor units	33ft	
Connection method	(Flared)	
Operating Range		
Cooling	32°F~115°F DB	
Heating	14°F~75°F DB	

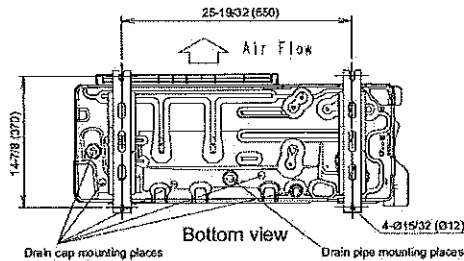


Top view

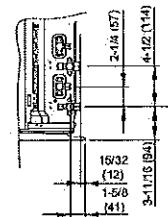


Front view

Side view



Bottom view



	Non-Ducted	Ducted & Non-Ducted	Ducted
SEER	16	15.25	14.5
HSPF	9.4	9.05	8.7
EER	8.8	8.45	8.1

Fujitsu General America, Inc.
 Fairfield, NJ 07004
 Toll Free: 1-888-888-3424
 Fax: (973) 836-0447
 www.fujitsugeneral.com

Fujitsu products are subject to continuous improvements. Fujitsu reserves the right to modify product design, specifications and information in this data sheet without notice and without incurring any obligations.

Note: Specifications are based on the following conditions.

Power source of specifications : 230V

Cooling: Indoor temperature of 80°F(26.67°C)DB / 67°F(19.44°C)WB, and outdoor temperature of 95°F(35°C)DB/75°F(23.89°C)WB.

Heating: Indoor temperature of 70°F(21.11°C)DB / 60°F(15.56°C)WB, and outdoor temperature of 47°F(8.33°C)DB/43°F(6.11°C)WB.

Pipe length : 24ft. 7in.(7.5m),Height difference : 0 ft.(0m) [Outdoor unit - Indoor unit]

