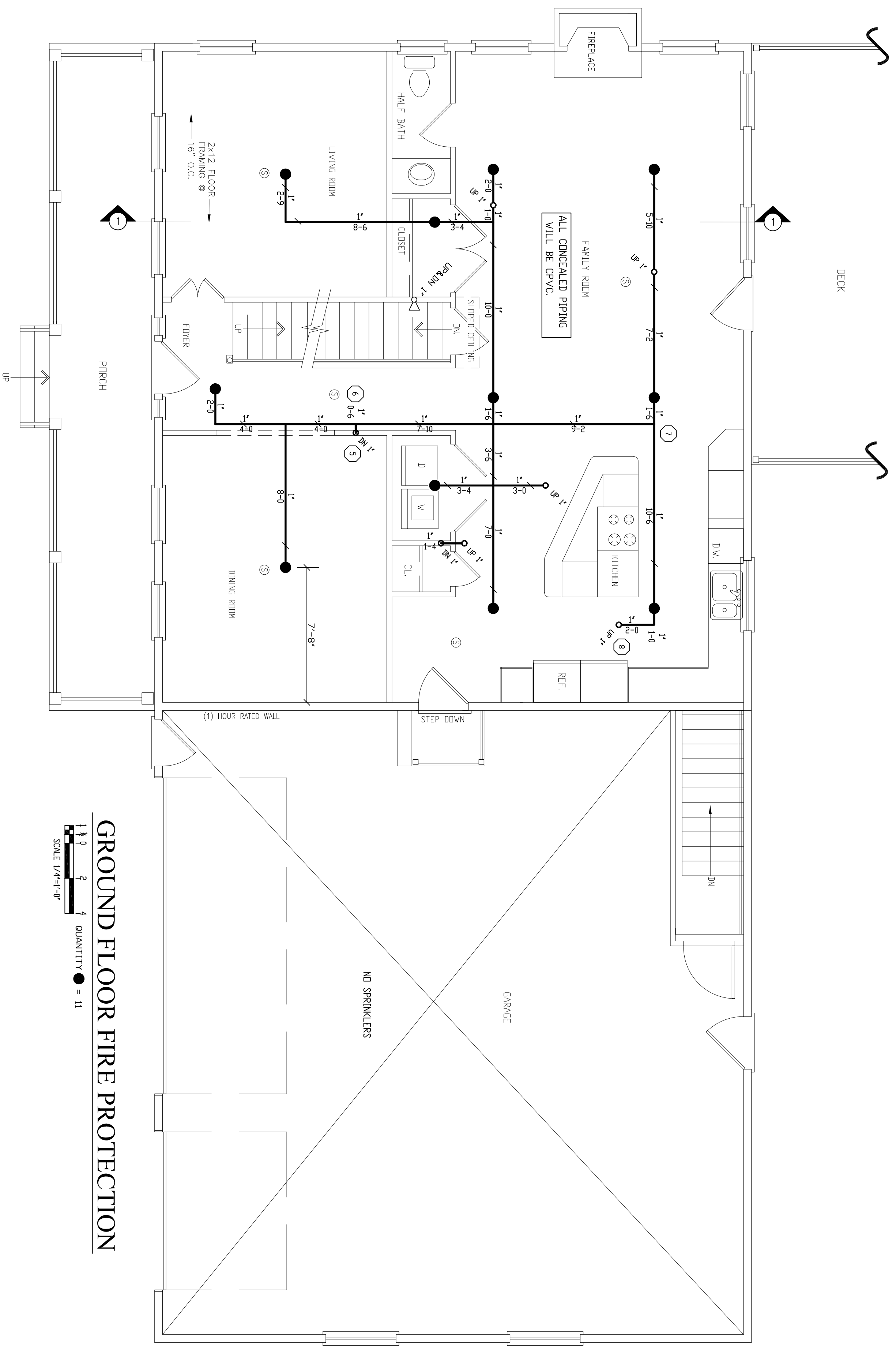
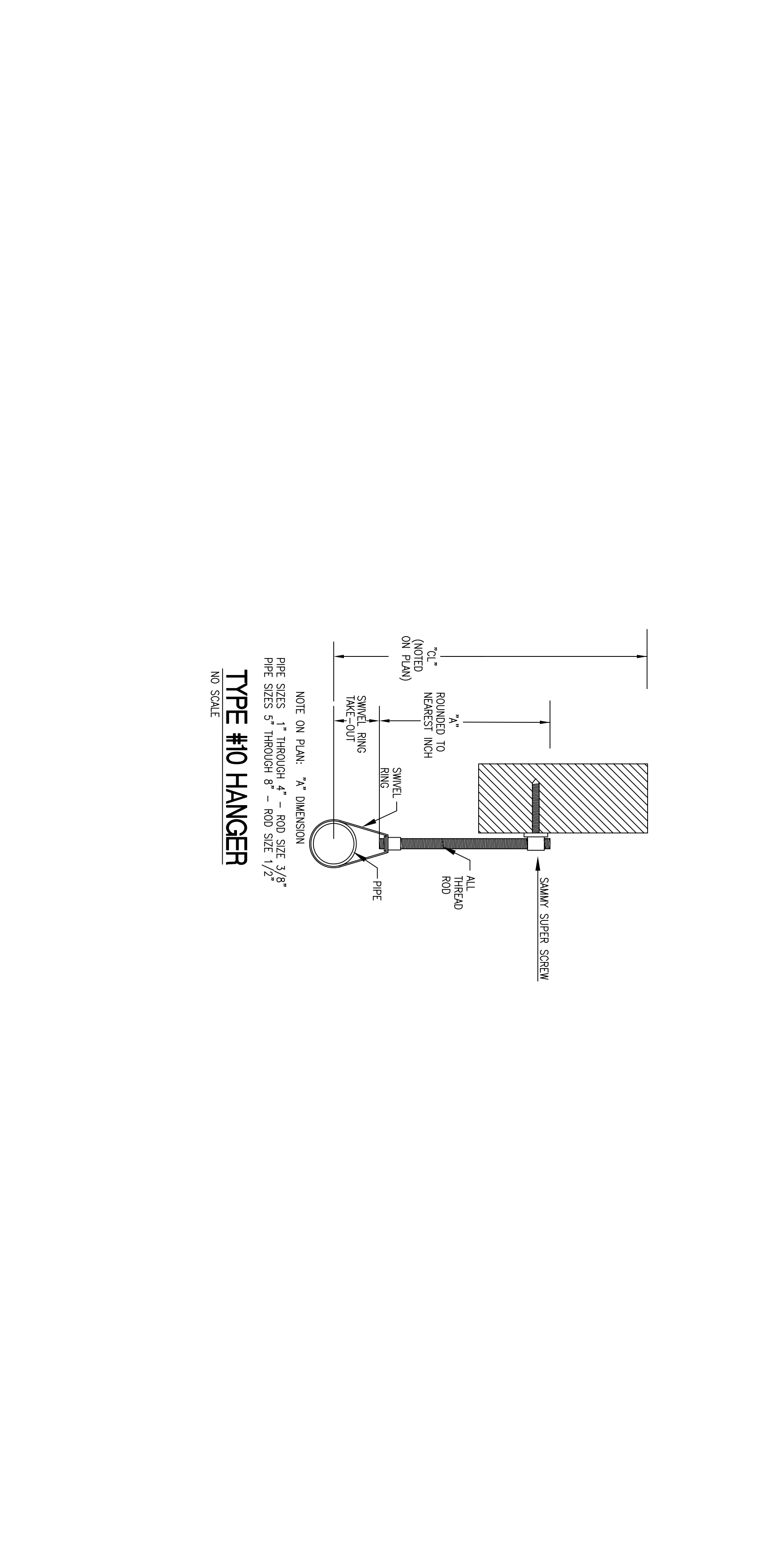


HYDRAULIC DESIGN	
SYSTEM	WET PIPE
SPRINKLER TYPE	ES-R
SPRINKLER RATED	2 SPRINKLERS
SPRINKLER RATED	14 GPM
SPRINKLER RATED	2 HRS
HOSE ALLOWANCE	N/A
SPRINKLER RATED	28 GPM
SPRINKLER RATED	57 PSI
SPRINKLER RATED	500 PSI

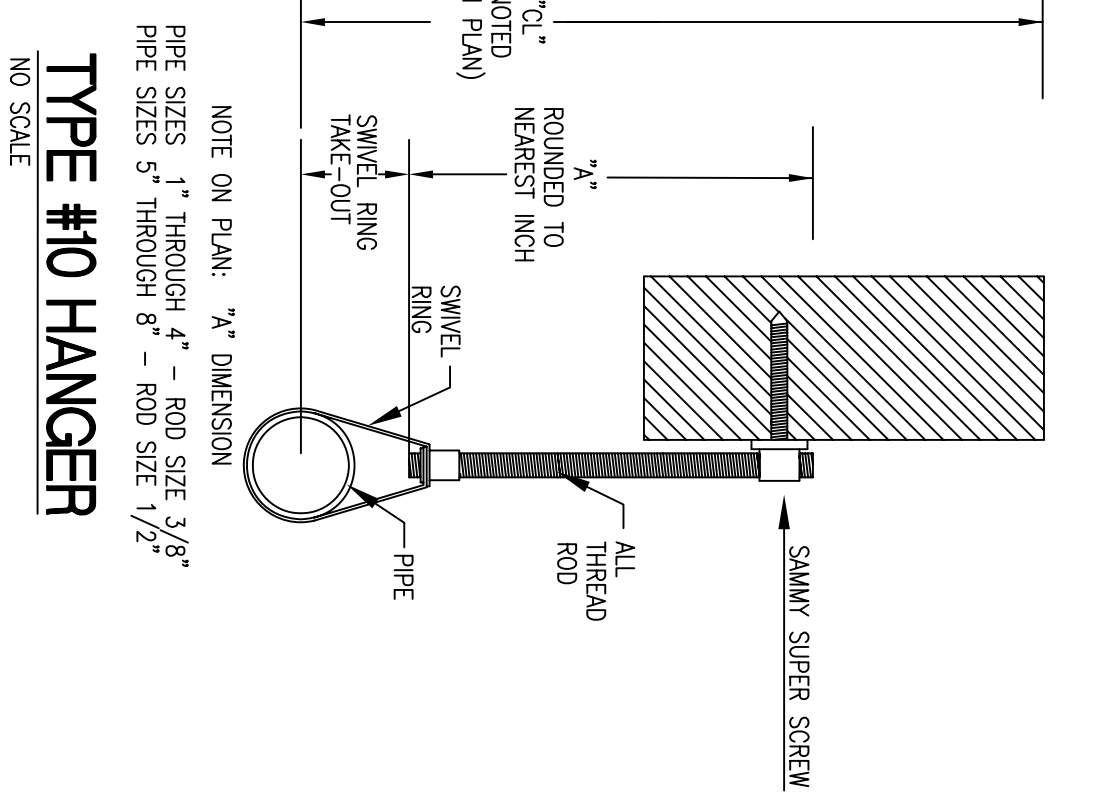
SECOND FLOOR FIRE PROTECTION
 SCALE 1/4"=1'-0"
 QUANTITY ● = 6
 QUANTITY ○ = 10



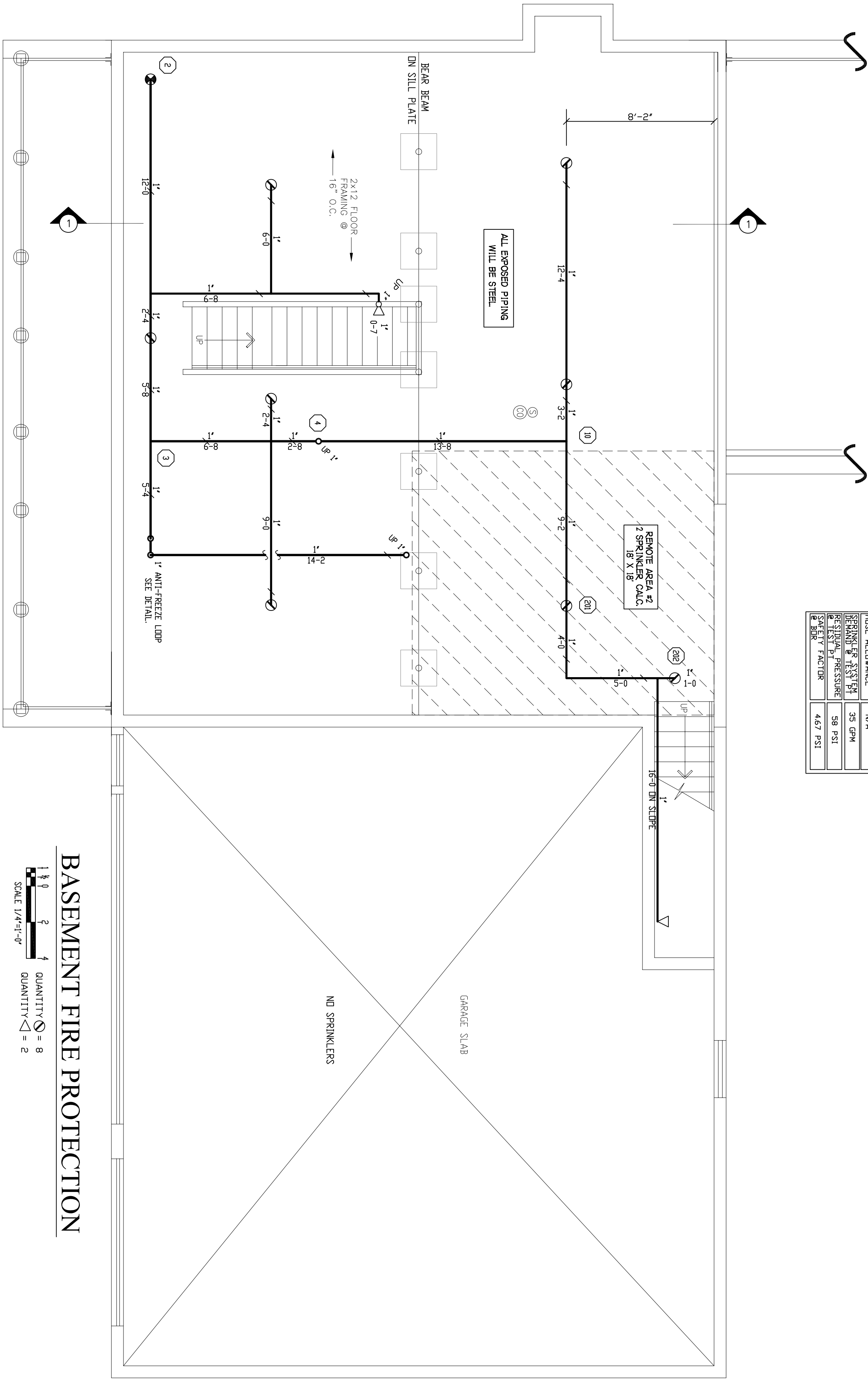
GROUND FLOOR FIRE PROTECTION
 SCALE 1/4"=1'-0"
 QUANTITY ● = 11



HYDRAULIC DESIGN	
SYSTEM	WET PIPE
SPRINKLER TYPE	ES-R
SPRINKLER RATED	2 SPRINKLERS
SPRINKLER RATED	17 GPM
SPRINKLER RATED	2 HRS
HOSE ALLOWANCE	N/A
SPRINKLER RATED	28 GPM
SPRINKLER RATED	500 PSI
SPRINKLER RATED	447 PSI



NOTE ON PLAN: X" DIMENSION
 PIPE SIZES 1" THROUGH 4" - ROD SIZE 3/8"
 PIPE SIZES 5" THROUGH 8" - ROD SIZE 1/2"
TYPE #10 HANGER
 NO SCALE



BASEMENT FIRE PROTECTION
 SCALE 1/4"=1'-0"
 QUANTITY ● = 8

REVISIONS		NOTES		HEAD COUNT		STANDARD SYMBOLS		STANDARD SYMBOLS		INSPECTIONS		
1.												
2.												
3.												
4.												
RESPONSIBLE MANAGING SUPERVISOR 3348												
CONTRACTOR LICENSE #295												
RICK HOLDEN RESIDENCE 20 BALPARK LANE PORTLAND, MAINE 04103 FREEDOM FIRE PROTECTION, INC. 209 QUAKER RIDGE ROAD CASCO, MAINE 04015												
JOB No.	M0070	DATE	4/20/12	DRAWN BY	MAN	SHEET No.	FP-2012					
SCALE	AS NOTED											