

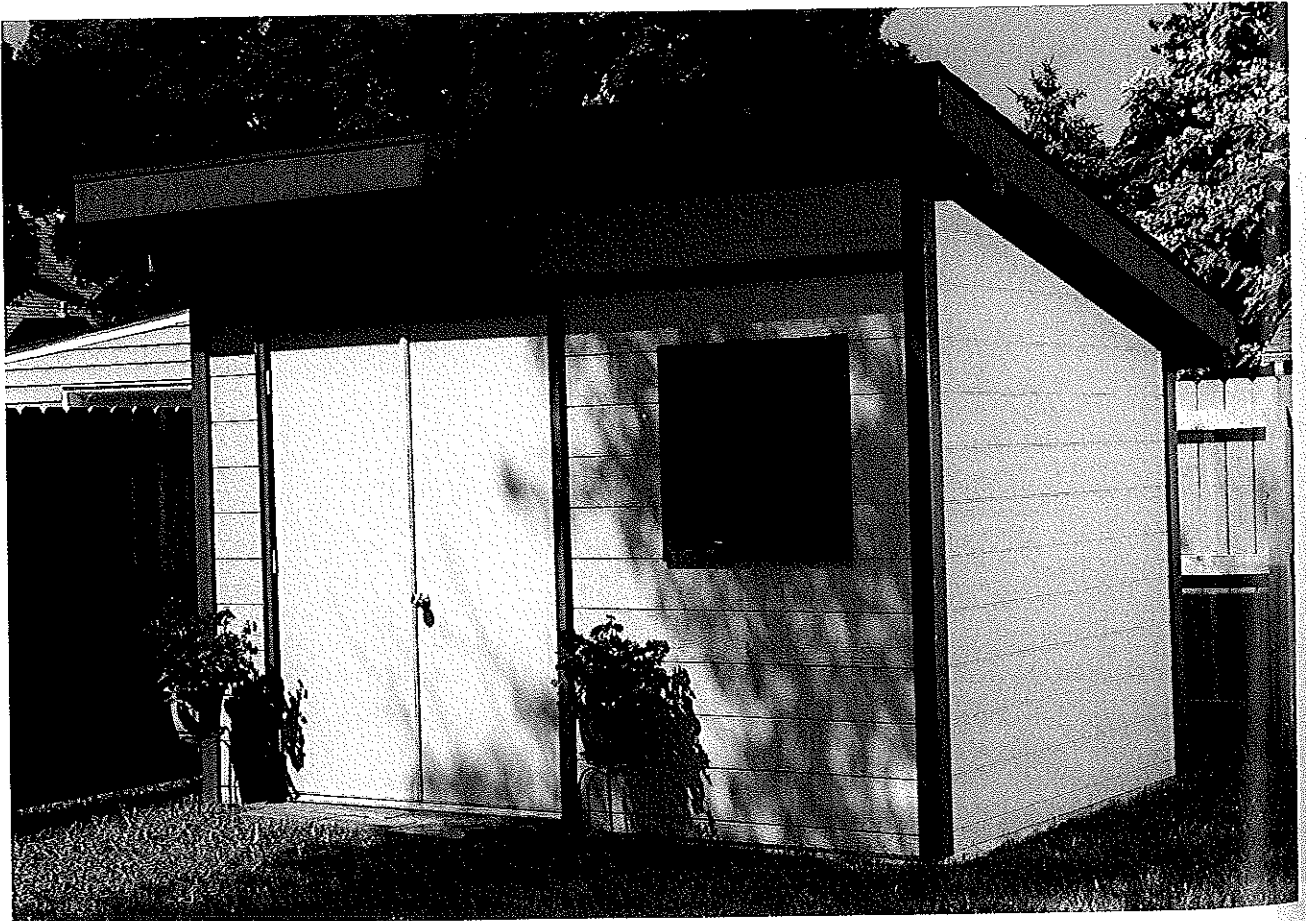
Modern Utility Shed

As its name suggests, this is a useful shed that is well suited to serve many purposes. It's a do-all shed. The 8 × 12 ft. footprint provides plenty of room for storage, work space or a little of both. The 60-inch-wide double doors are wide enough to provide access for a larger lawn tool, such as a riding lawn mower or they can simply be left open to let in lots of natural light. A 30 × 30 inch window is positioned to the right of the door and is installed high enough to leave room for a workbench to fit below—the perfect place to work on small projects.

This shed features basic wall framing construction. The roof is a classic single-sloped roof. The siding material that we used on this shed is a shiplap 4 × 8 panel called LP SmartSide. These panels are approved to serve as both the sheathing and siding. This type of siding is typically installed

with the grooves running vertically, but we choose to install them with the grooves running horizontally. The panels are installed so that the lower panels are overlapped by the shiplap or overlapping edge of the upper panels. The horizontal grooves give this shed a more unique and modern style.

One of the best aspects of this design is that it is easy to modify. If you like the basic design but want a more refined or finished space, there are several ways you could upgrade this shed. For example, you could build it on an elevated framed floor with a wood subfloor so that you could install just about any flooring material. Another option is to replace the plastic window with a manufactured operable window. You could also install just about any finished interior wall covering. The level of finish is limited only by your imagination and your budget.



Work. Store. Play. This shed does it all—and in a sleek, modern form that will delight everyone.

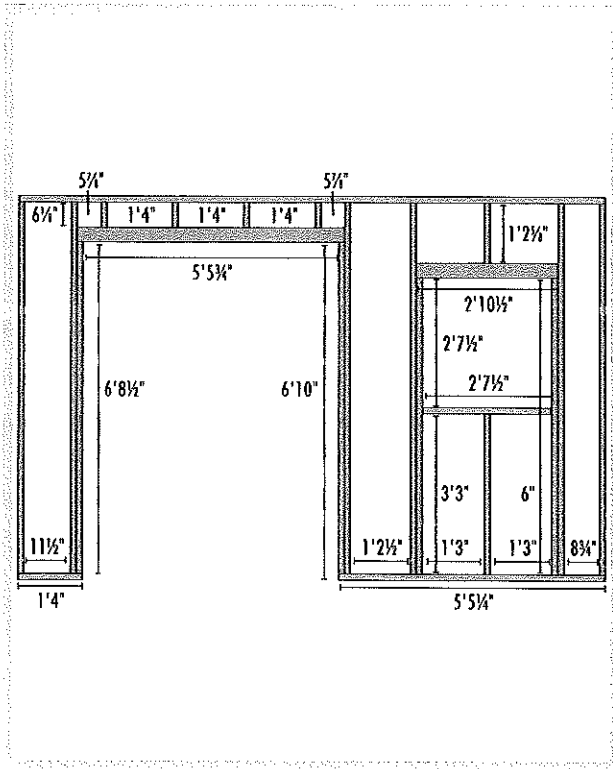
Cutting List

| DESCRIPTION | QTY./SIZE | MATERIAL |
|---|---|-------------------------|
| Foundation | | |
| Skids | 2 × 4 × 12 ft. (3), 2 × 4 × 10 ft. (10) | Pressure treated |
| Floor Deck | ¾ × 4 × 8" (3) | Exterior plywood |
| Wall Framing | | |
| Bottom plates | 2 × 4 × 8 (3), 2 × 4 × 12 (1) | Pressure treated |
| Top plates | 2 × 4 × 8 (2), 2 × 4 × 12 (2) | |
| Front and back beams | 4 × 4 × 14 (2) | Cedar |
| Studs | 2 × 4 × 8 (20), 2 × 4 × 12 (6) | |
| Door and window headers, jack studs, cripple studs | 2 × 4 × 8 (4) | |
| Roof Framing | | |
| Rafters and blocking | 2 × 8 × 10 (12) | Cedar |
| Exterior Finishes | | |
| Fascia | 1 × 8 × 14 (2) | |
| Siding | ¾ × 4 × 8 (10) | LP Smart Side panels |
| Windows trim | 1 × 2 × 8 (2) | |
| Corner Trim | 1 × 4 × 8 (6), 1 × 4 × 10 (2), 1 × 4 × 12 (1) | |

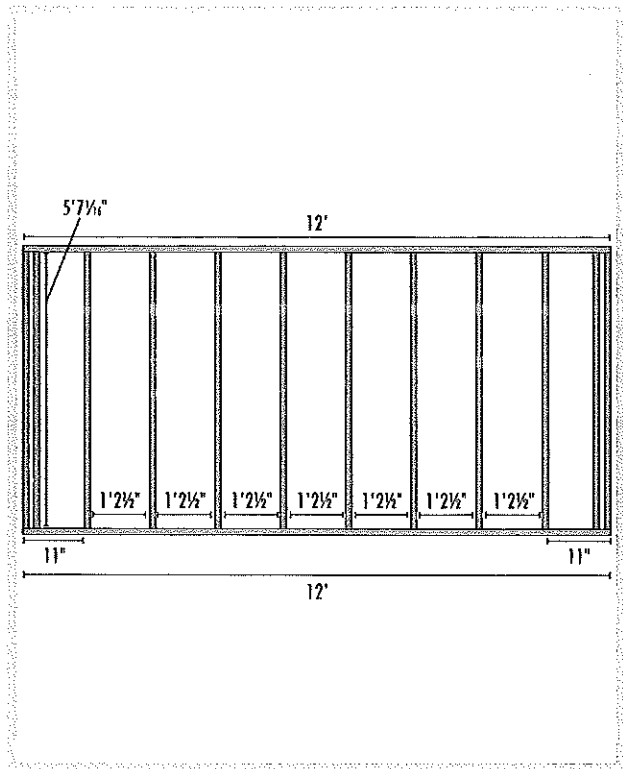
| DESCRIPTION | QTY./SIZE | MATERIAL |
|--|--------------------------------|----------|
| Roofing | | |
| Roofing sheathing | ¾ × 4 × 8 (5) | |
| 15# building paper | | |
| Drip edge | 50 linear ft. | |
| Asphalt shingles | 5 bundles | |
| Windows and Screens | | |
| ¼"-thick polycarbonate glazing | 31¼ × 31¼ (1), 5¾ × 15¾ (3) | |
| Clear exterior caulk | (1 tube) | |
| Window screen | (1 roll) | |
| Frames | 1 × 2 × 8 (9) | |
| Fasteners and Hardware | | |
| L-bolts | ½"-dia. (12) | |
| 16d common framing nails | | |
| 10d common nails | | |
| Box/siding/utility nails 6d × 2" | | |
| Galvanized casing (finish) nails 8d × 2 | | |
| 1" galvanized roofing nails | | |
| 1½" joist hanger nails | | |
| Galvanized rafter (hurricane) straps | 14 | |



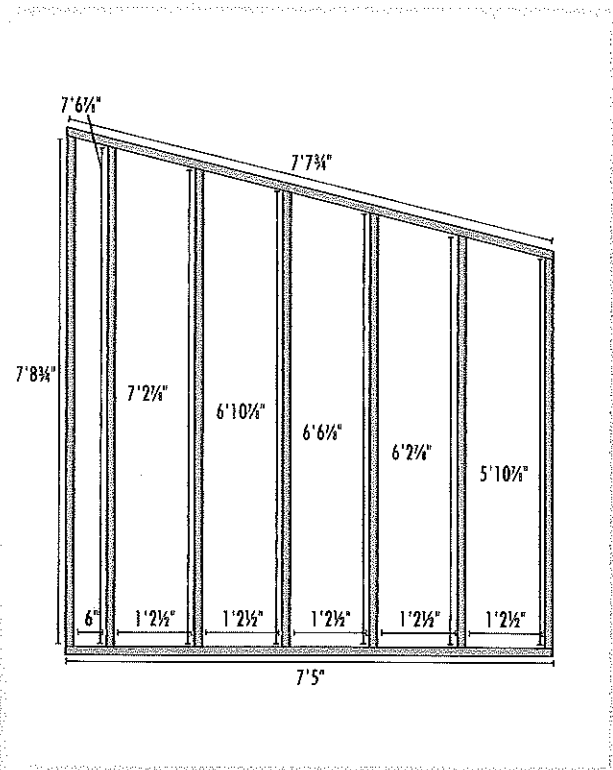
Front Wall Framing



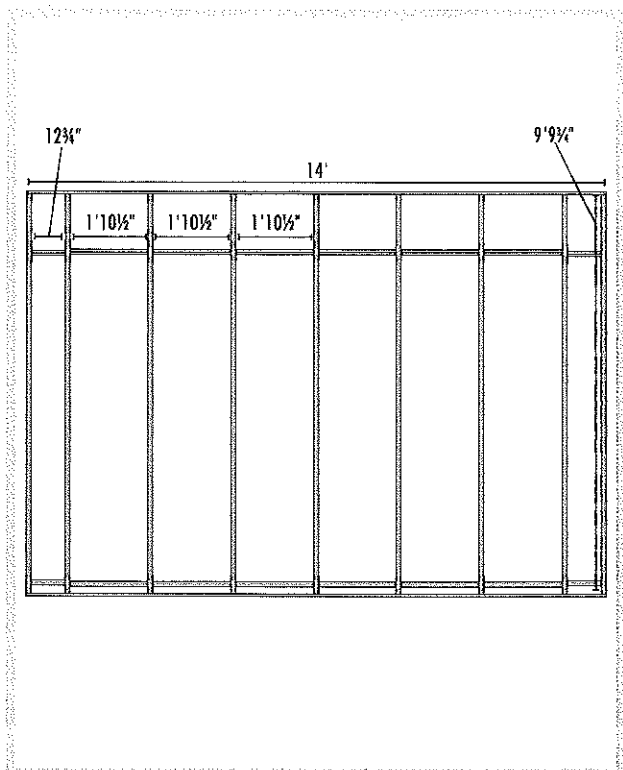
Back Wall Framing



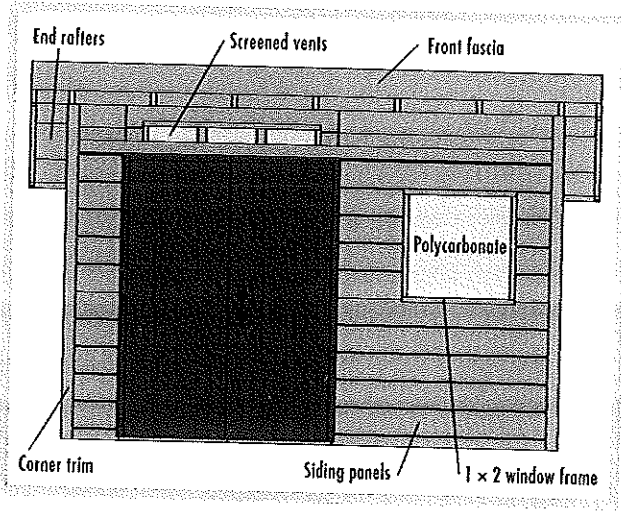
Side Wall Framing



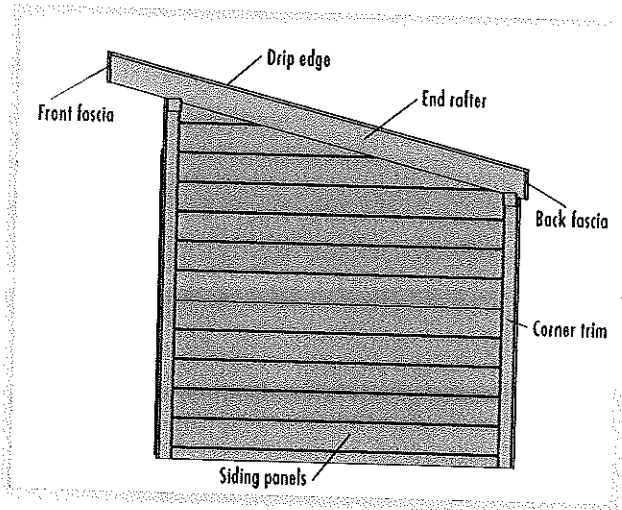
Roof Wall Framing



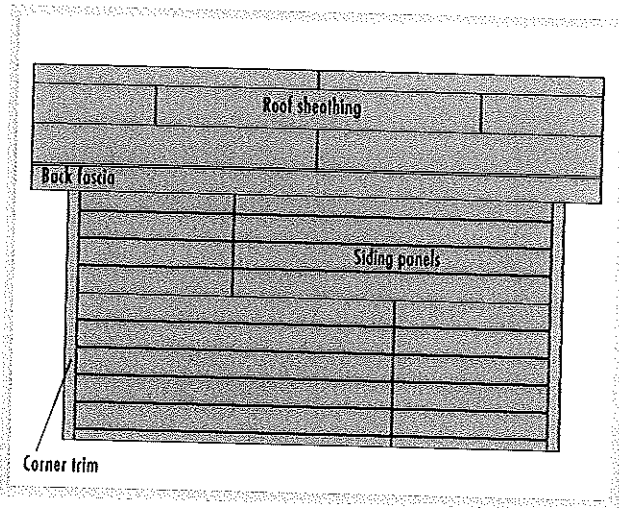
Front Elevation



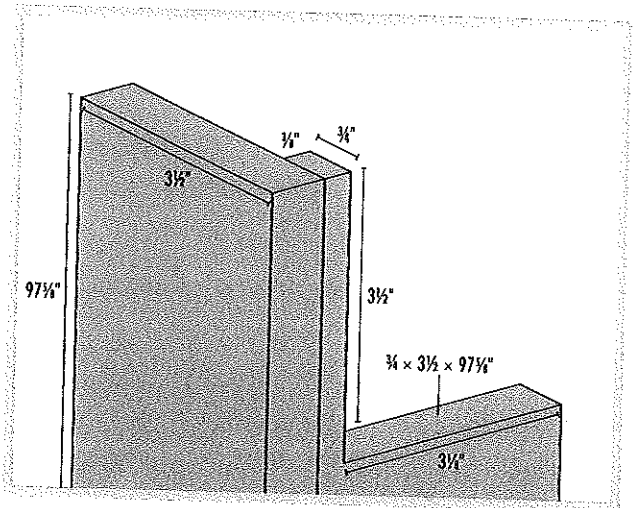
Side Elevation



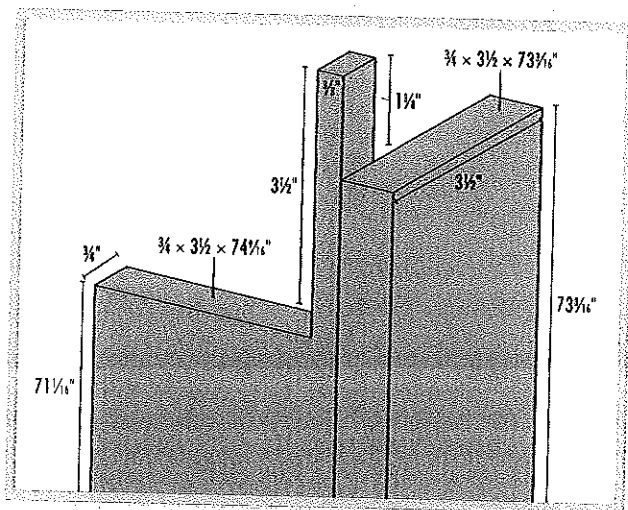
Back Elevation



Front Trim Dimension



Back Trim Dimension



Side Siding Top Piece Dimension

