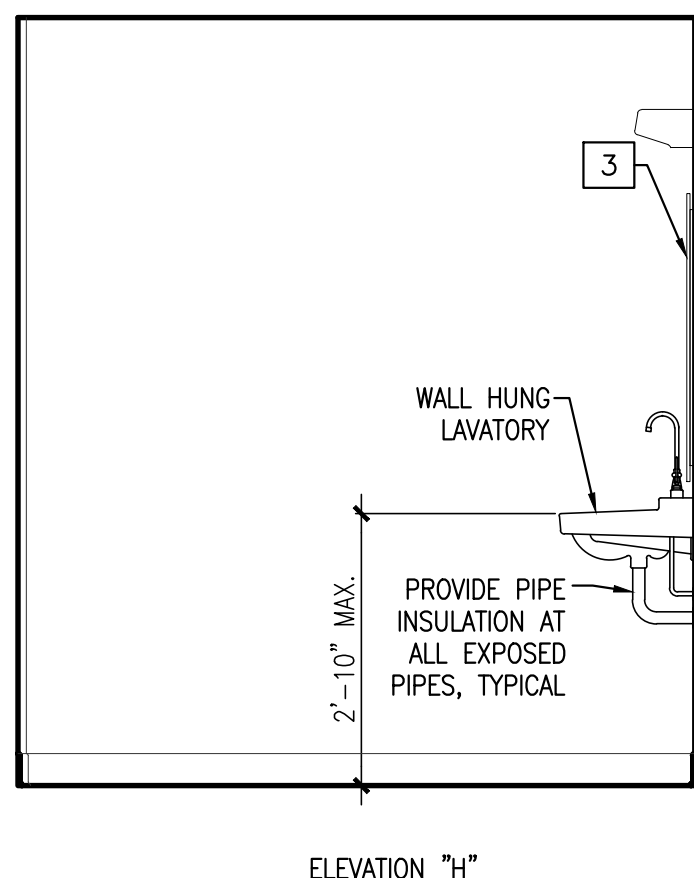
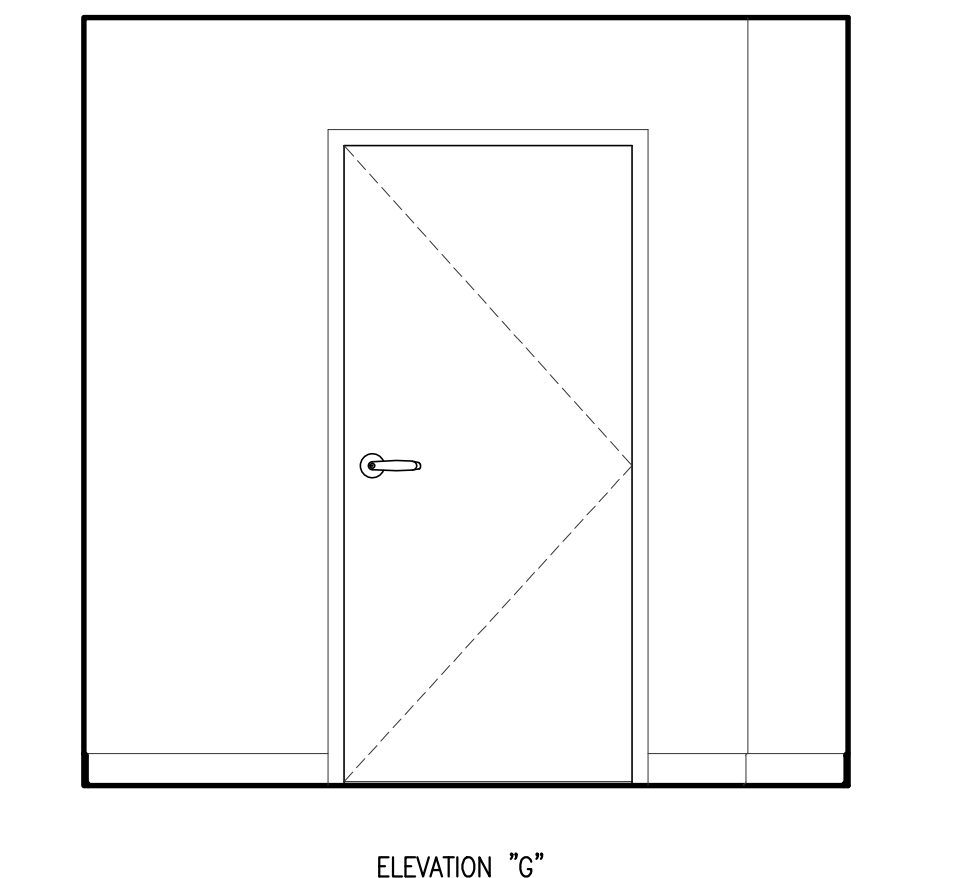
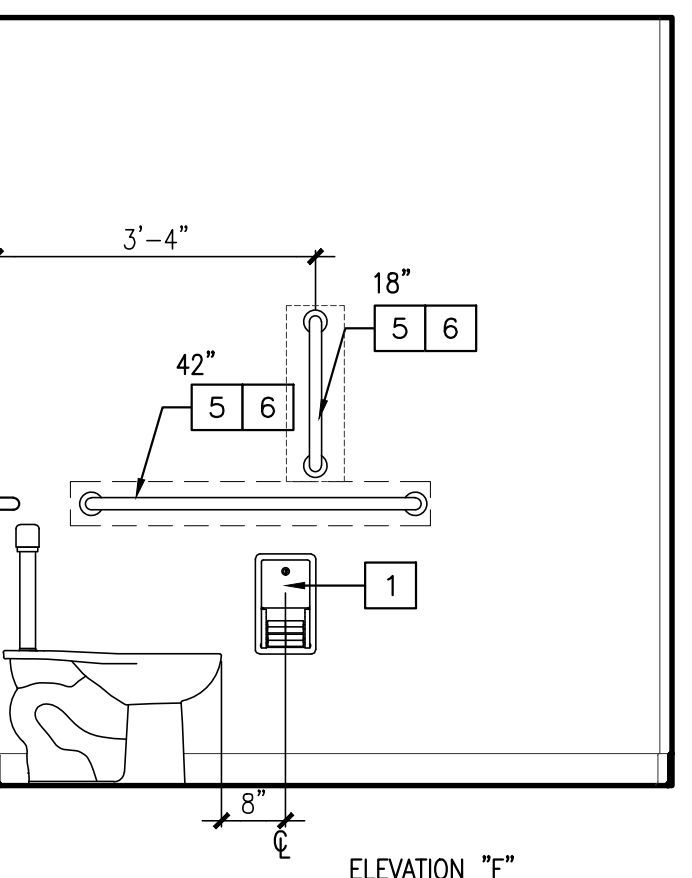
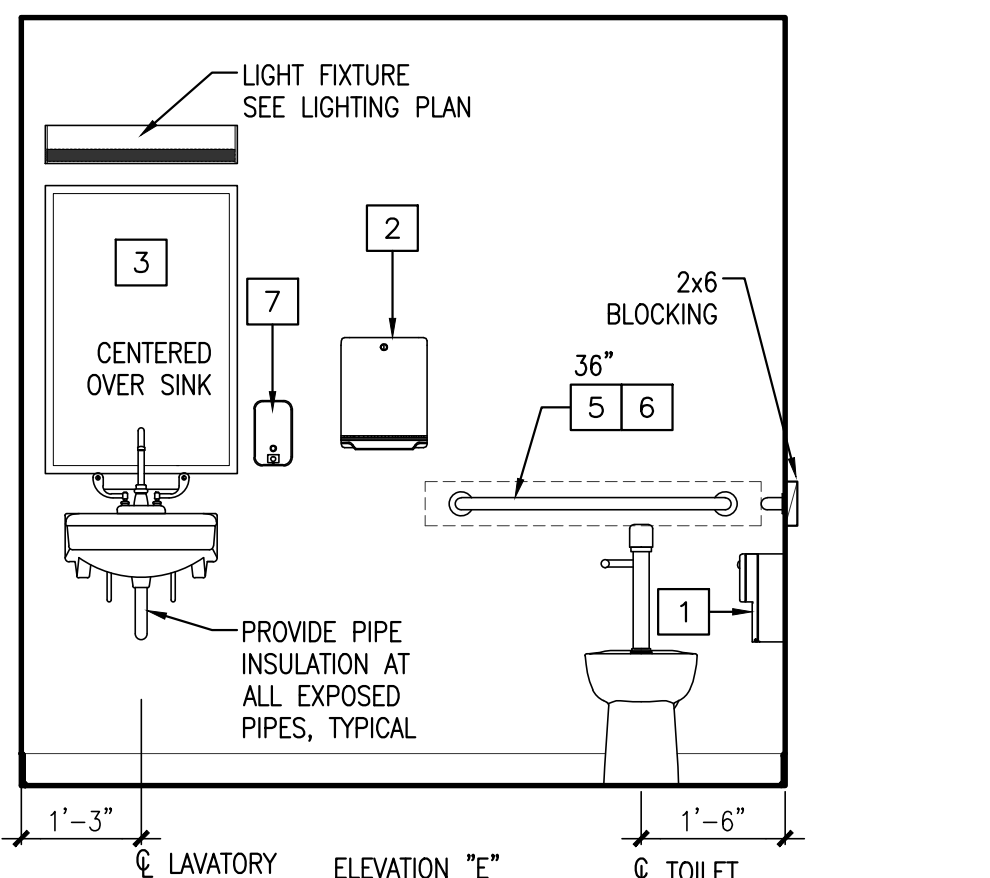
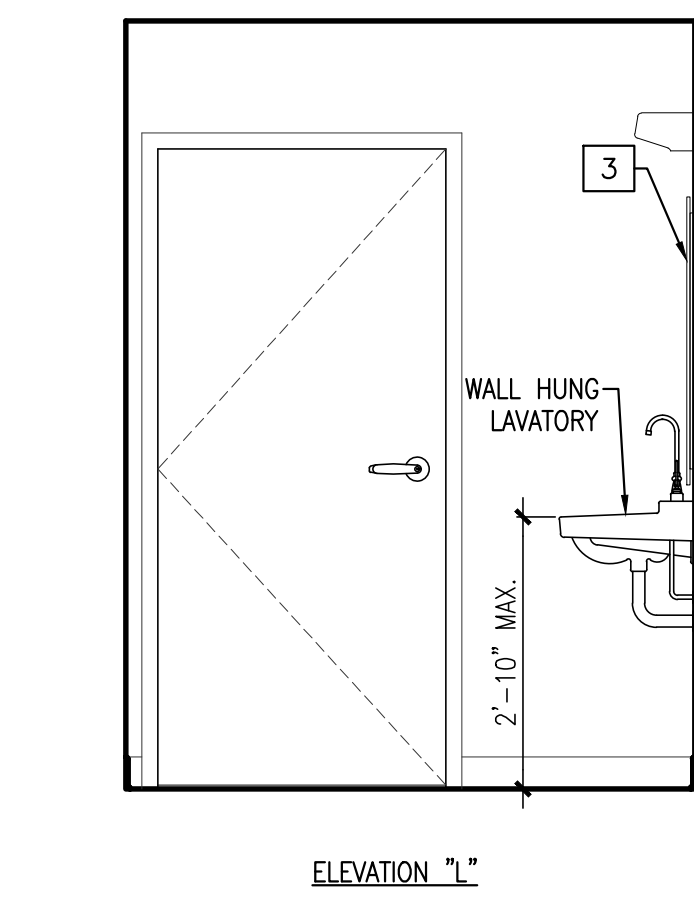
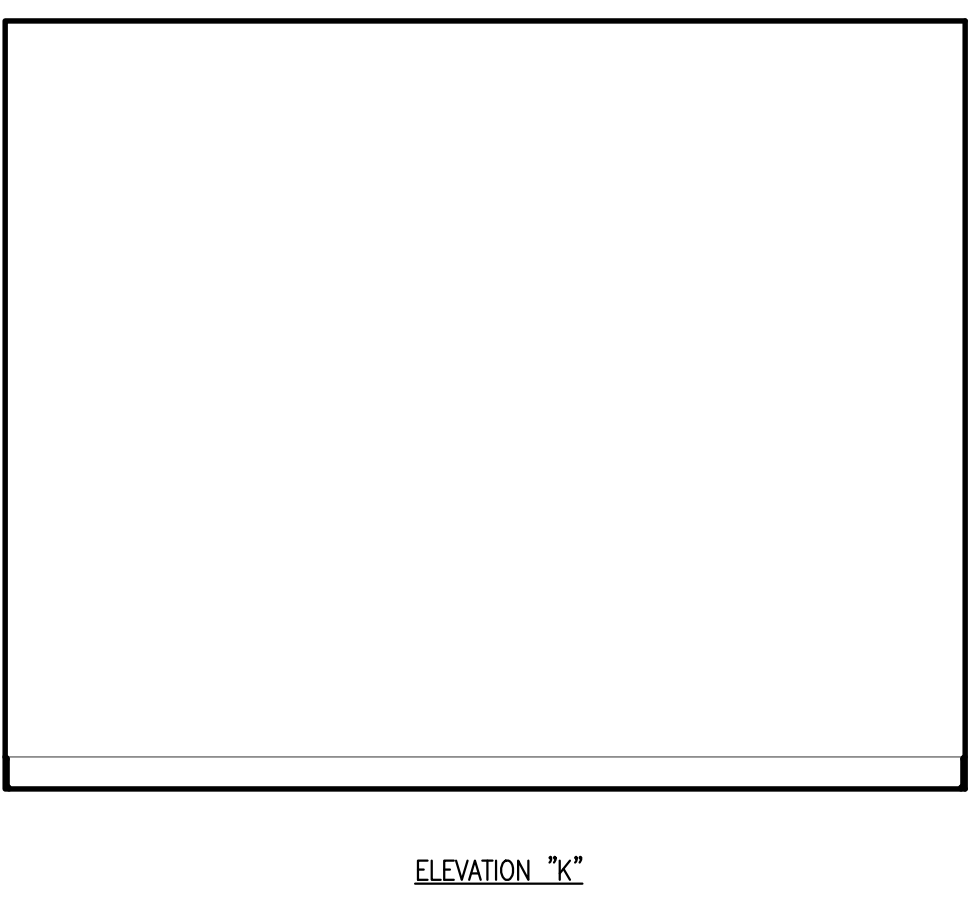
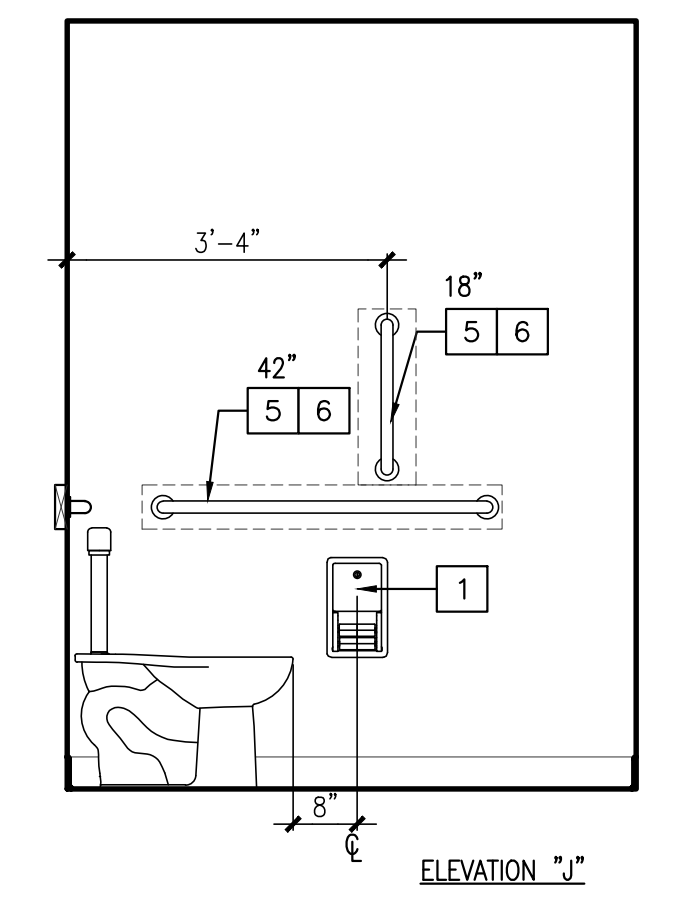
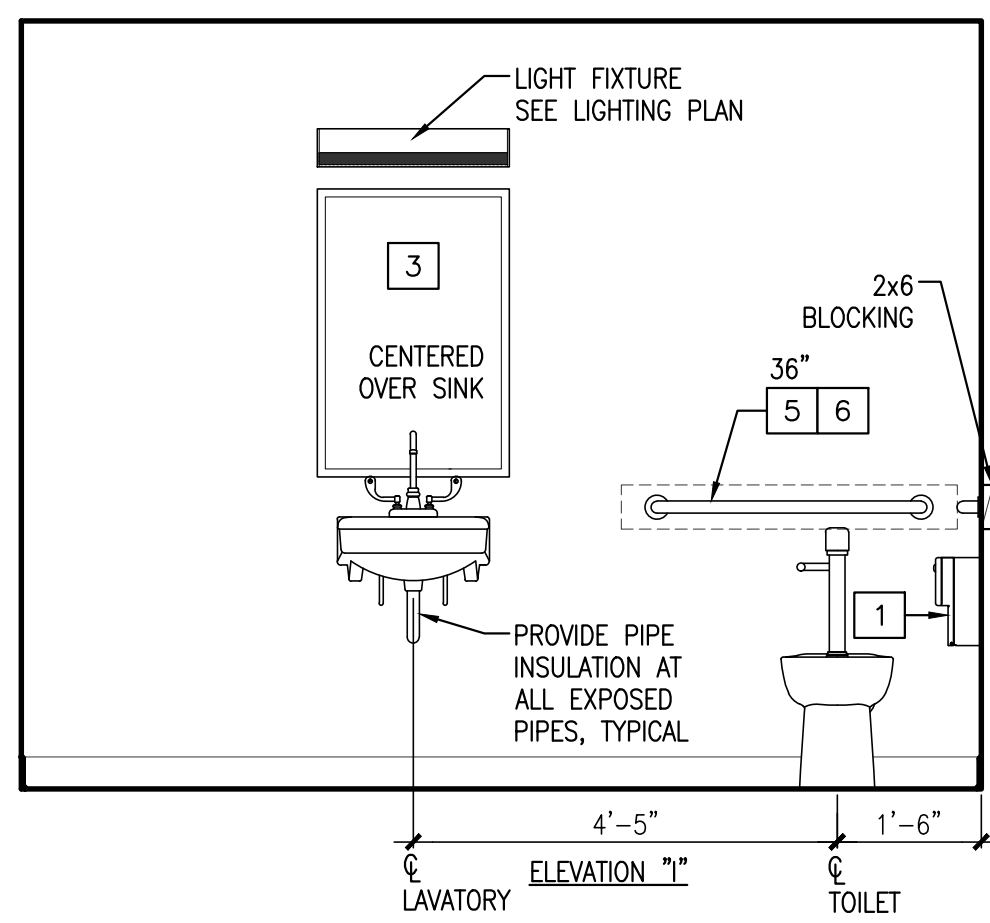


A2 MEN - 129
REFERENCED FROM: SCALE: 1/2" = 1'-0"

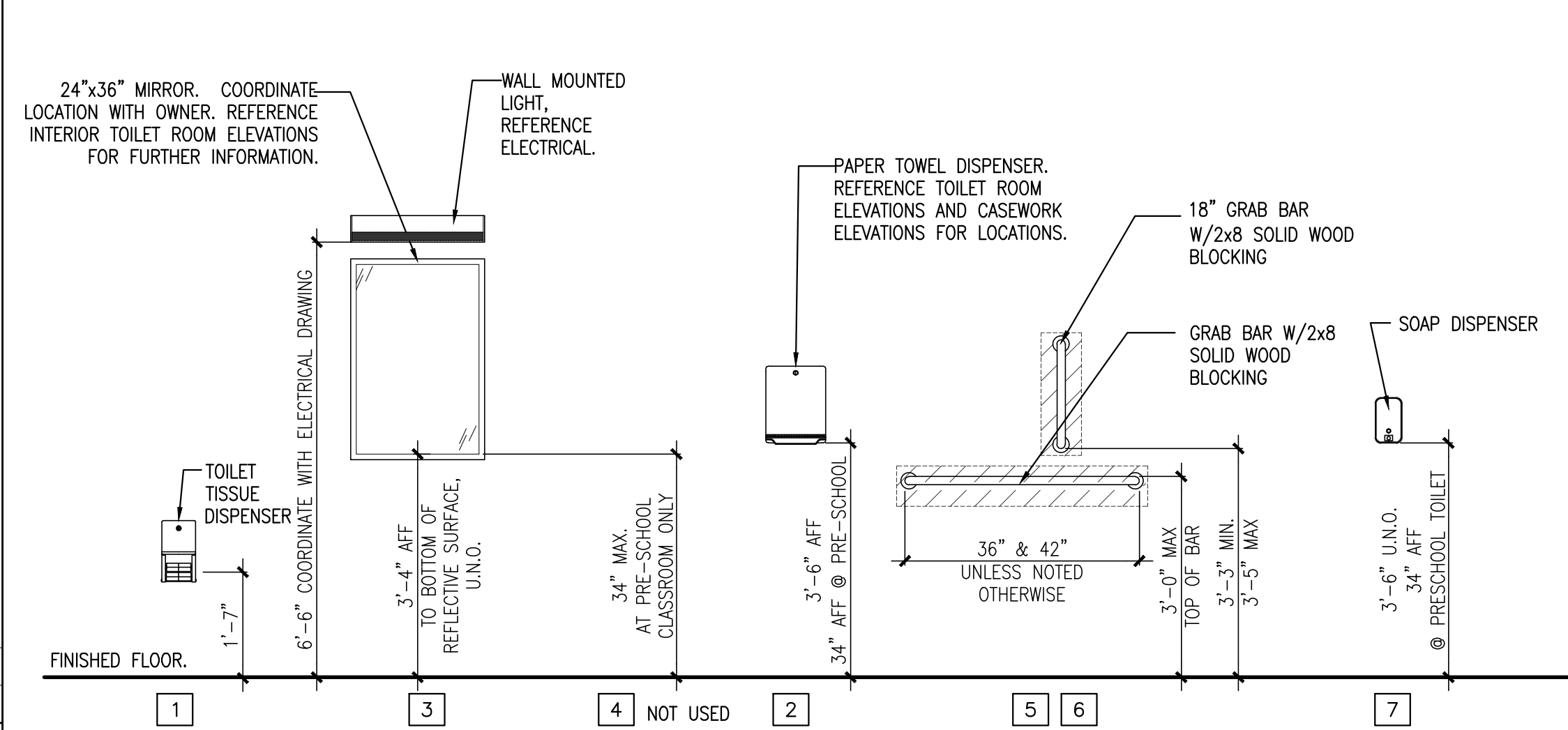


A3 WOMEN - 130
REFERENCED FROM: SCALE: 1/2" = 1'-0"



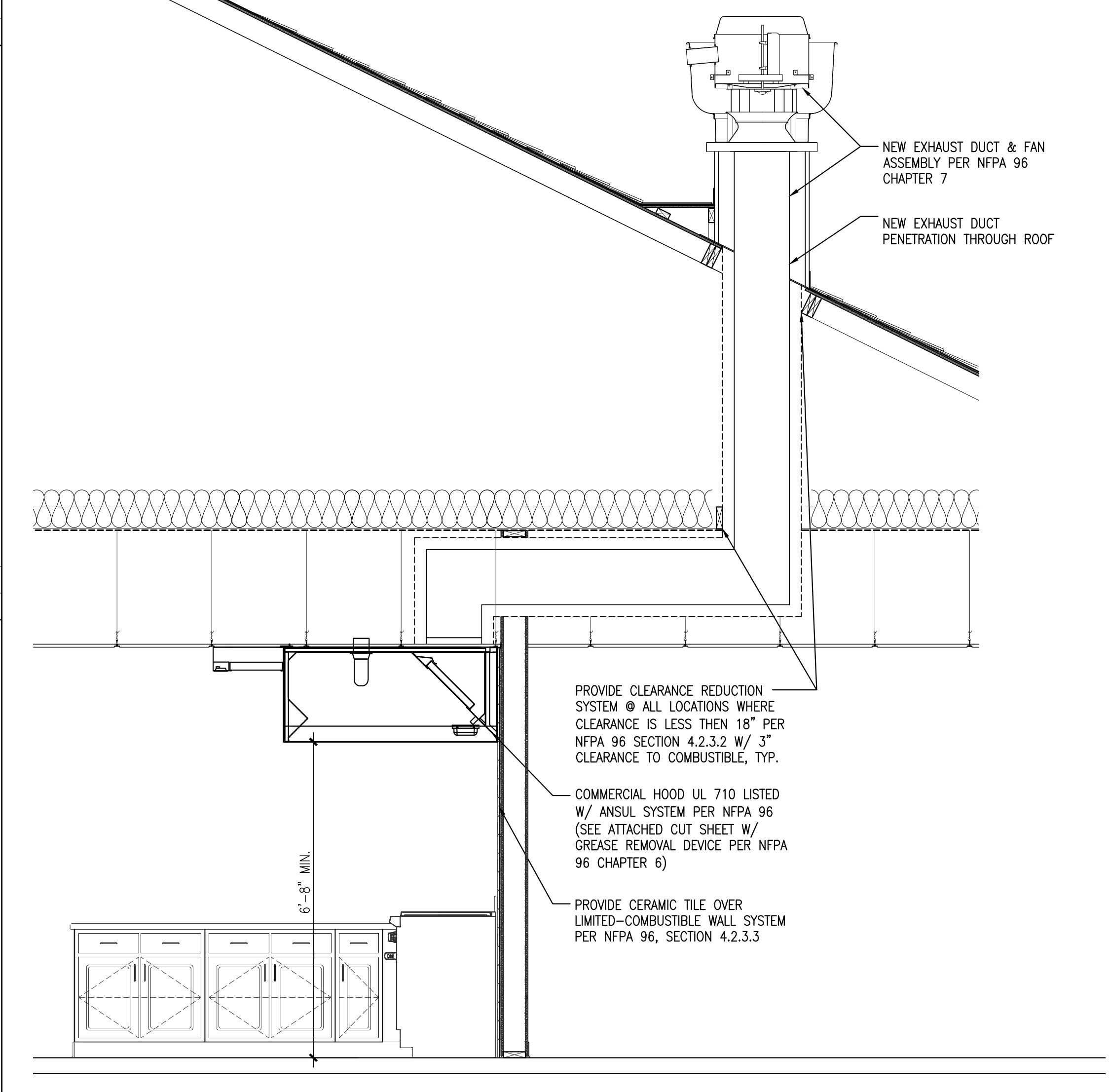
A4 STAFF - 128
REFERENCED FROM: SCALE: 1/2" = 1'-0"

A5
REFERENCED FROM: SCALE:



- TOILET ROOM ACCESSORY LEGEND**
- 1 TOILET PAPER DISPENSER, MULTI-ROLL, SURFACE MOUNTED.
 - 2 PAPER TOWEL DISPENSER, SURFACE MOUNTED.
 - 3 24x36 MIRROR WITH STAINLESS STEEL FRAME
 - 4 CLOTHES HOOK
 - 5 WALL-MOUNTED GRAB BARS, STAINLESS STEEL
 - 6 GRAB BAR ANCHORS
 - 7 UNIVERSAL STYLE SOAP DISPENSER, SURFACE MOUNTED
- GENERAL NOTES:**
- 1.) CONTRACTOR SHALL PROVIDE SOLID BLOCKING AS REQUIRED FOR ALL TOILET ACCESSORIES, SHOWER GRAB BARS, AND DOOR STOPS.
 - 2.) SINK FIXTURES DIFFER, REFERENCE PLUMBING DRAWINGS.
 - 3.) PROVIDE FINISH FLOORING UNDER ALL REMOVABLE SINK CABINET FRONTS, REMOVABLE PANEL AT SINKS AND OPEN WORK SURFACES.
 - 4.) PROVIDE FINISH WALL WITH WALL BASE BEHIND ALL REMOVABLE CABINETS AND SINK ENCLOSURES.
 - 5.) INSTALL REMOVABLE BASE CABINETS AND SINK ENCLOSURES WITH BRASS SCREWS FOR EASY REMOVAL.
 - 6.) PROVIDE INSULATED PIPES BENEATH ALL SINK CABINETS WITH REMOVABLE FRONTS AND SINK ENCLOSURES.
 - 7.) VERIFY DOOR STOP/BUMPER LOCATIONS IN FIELD PRIOR TO STOP/BUMPER INSTALLATION, TYPICAL.

E3 ACCESSORY MOUNTING HEIGHT
REFERENCED FROM: SCALE: 1/2" = 1'-0"



E5 DETAIL AT SUPPLY AND EXHAUST DUCT COMMERCIAL HOOD - SIMILAR DETAIL
REFERENCED FROM: SCALE: 1/2" = 1'-0"

OWNER / DEVELOPER
MORRISON CENTER
60 CHAMBERLAIN ROAD
SCARBOROUGH, ME
04070

PROJECT TITLE
MORRISON CENTER - PORTLAND
481 RIVERSIDE INDUSTRIAL PARKWAY
PORTLAND, MAINE

DRAWING TITLE
INTERIOR ELEVATIONS
CWS PROJ. NO.: 15001

| REVISION DESCRIPTION | DATE |
|----------------------|------|
| | |
| | |
| | |
| | |

DRAWING NUMBER
A4.13
SCALE: AS NOTED
DATE: 03/31/2015