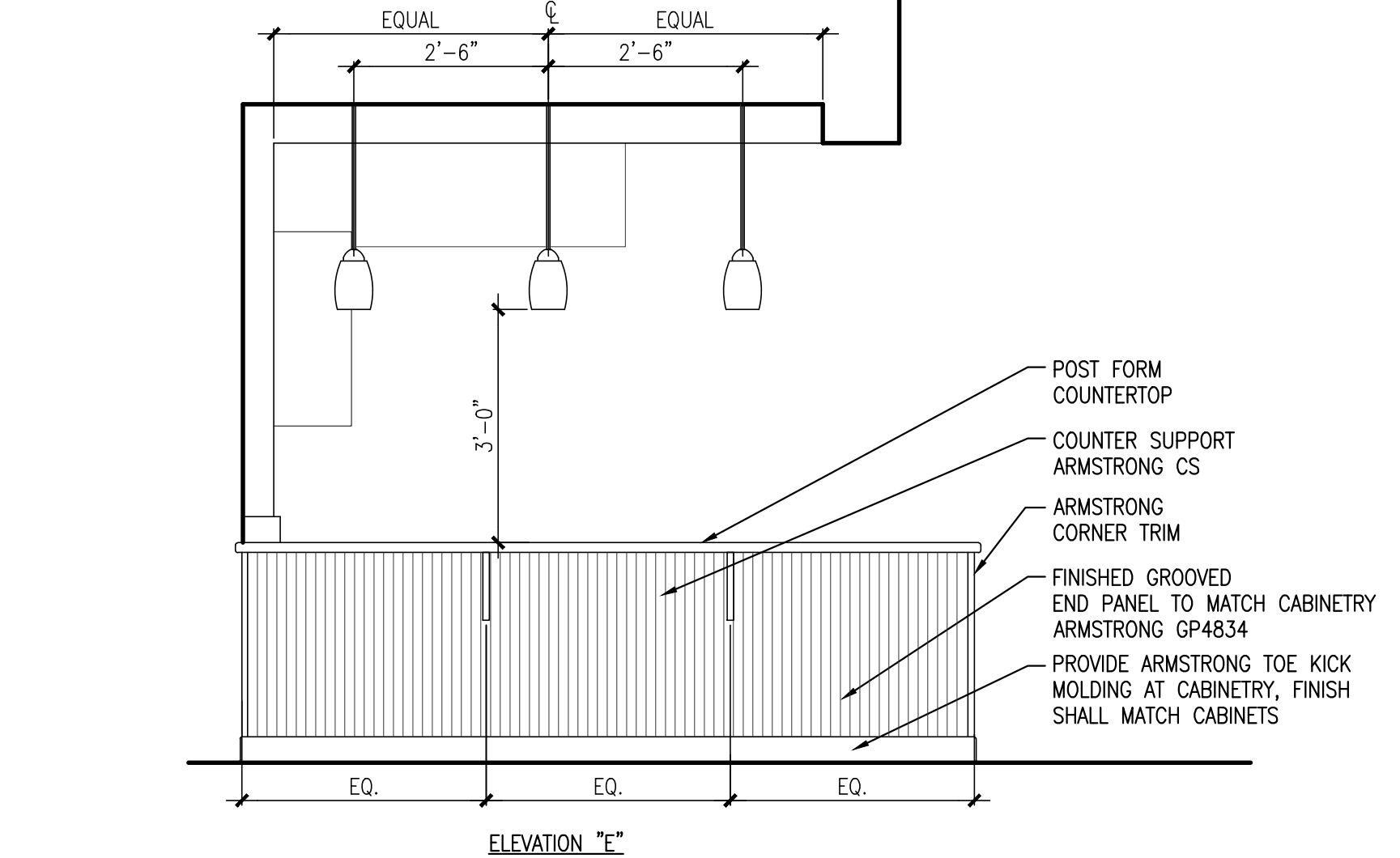
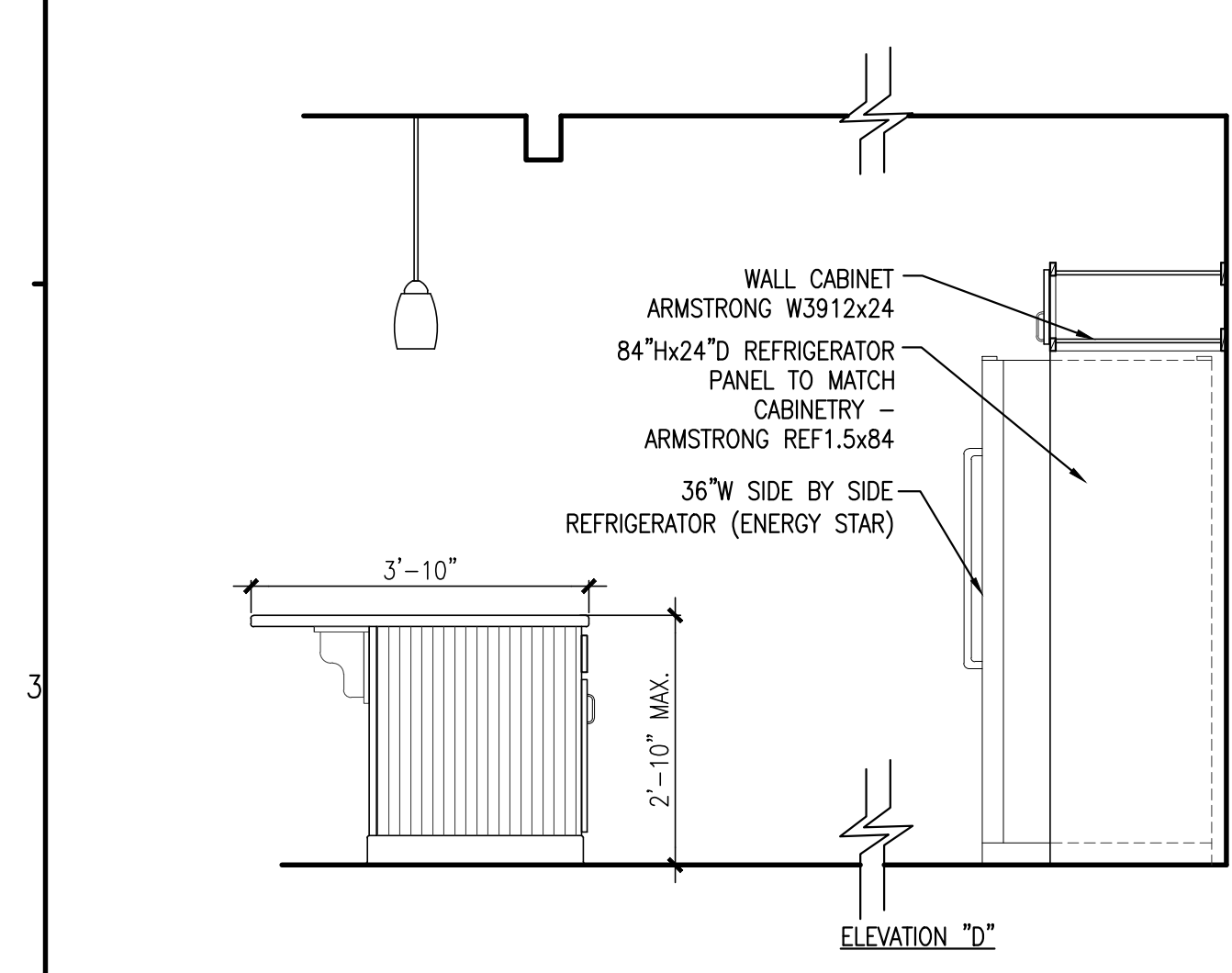
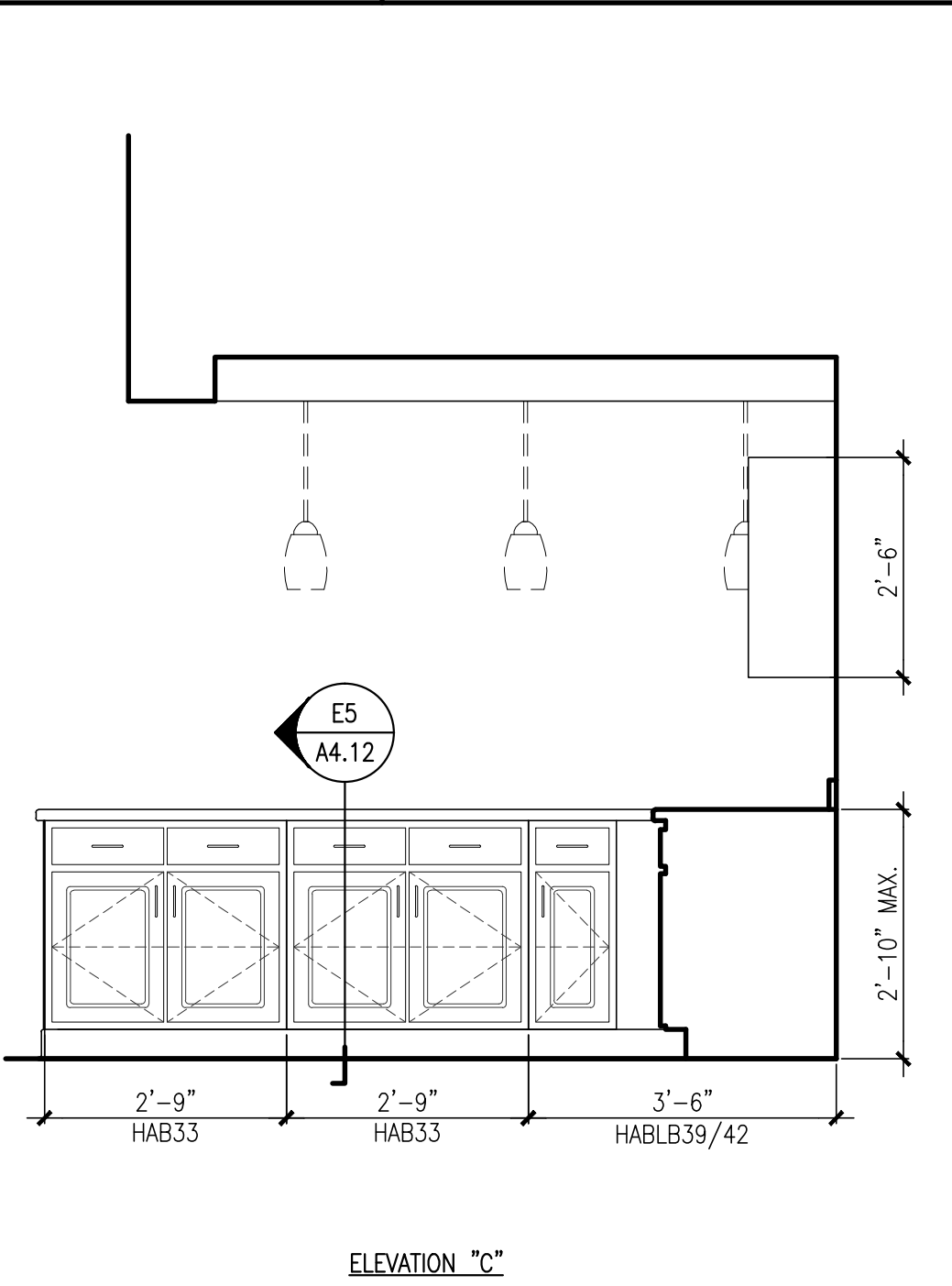
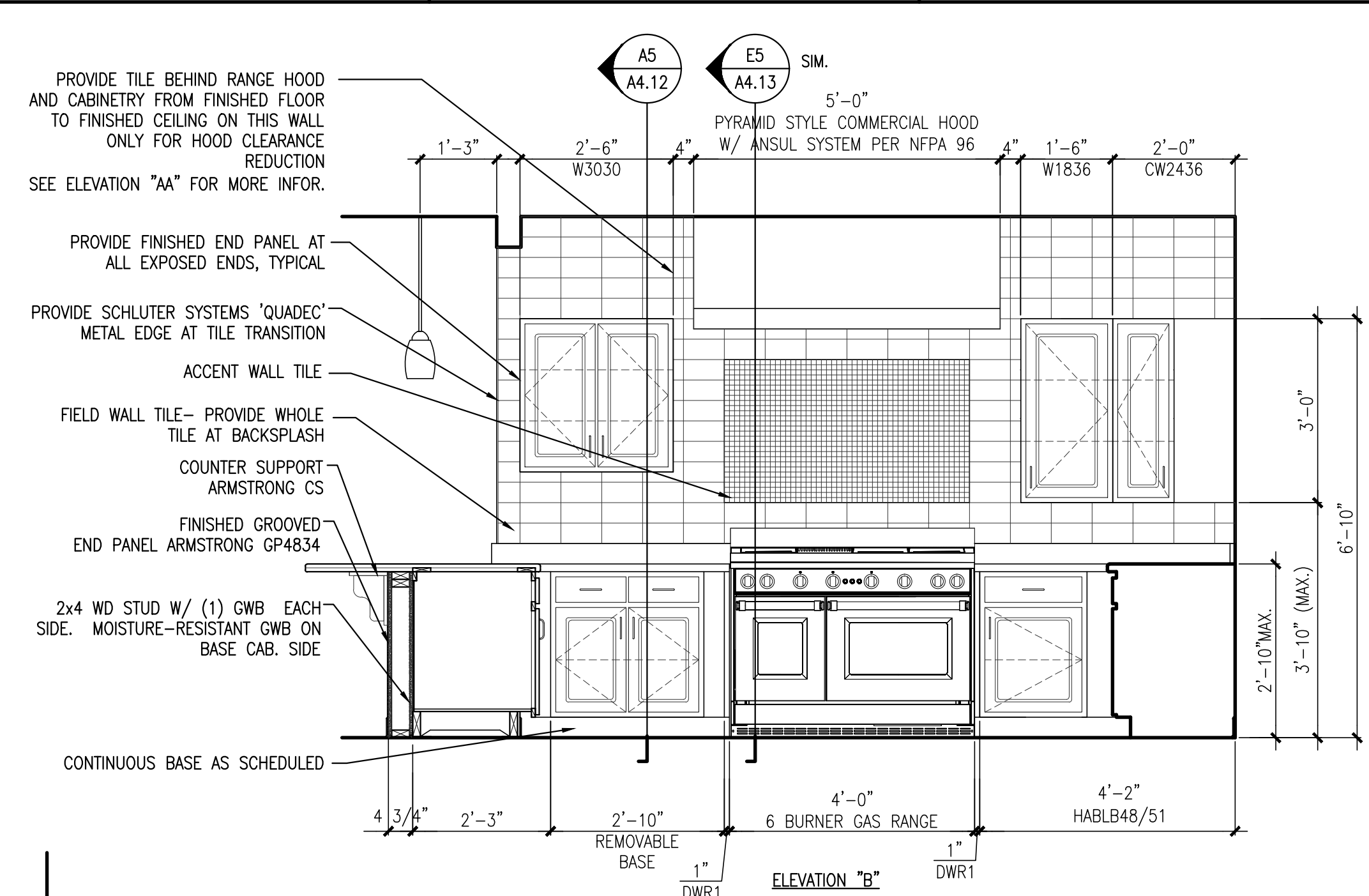
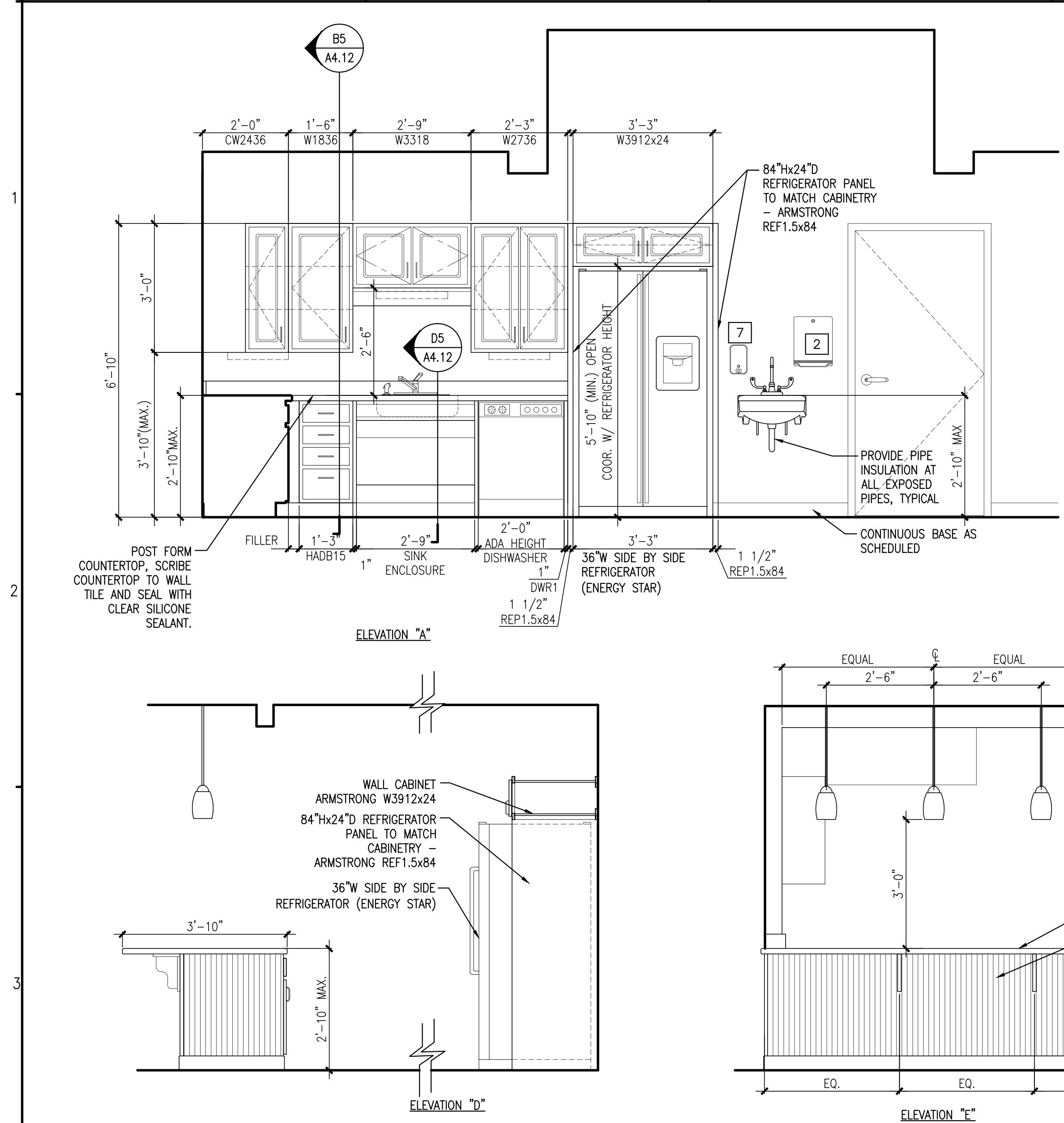
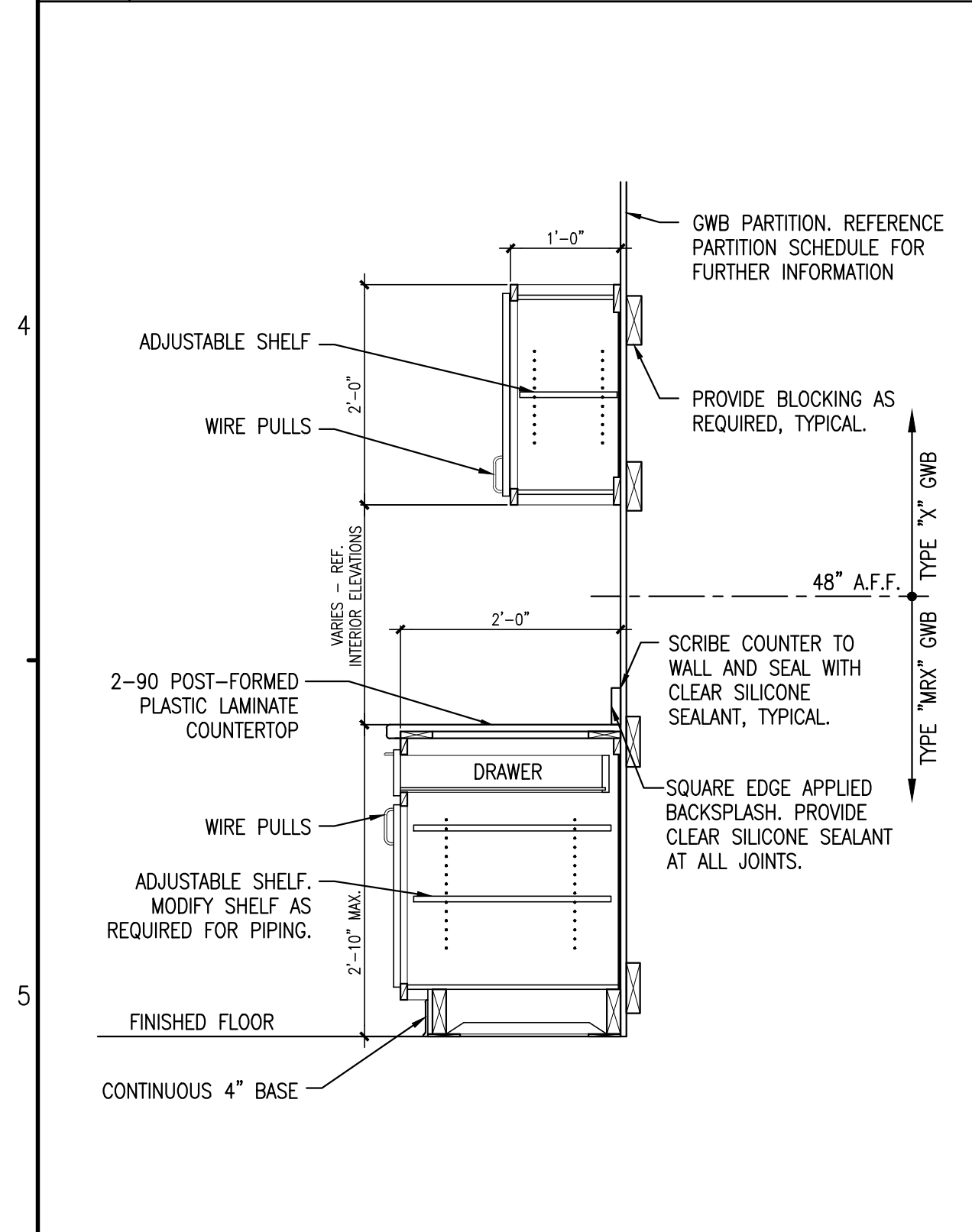


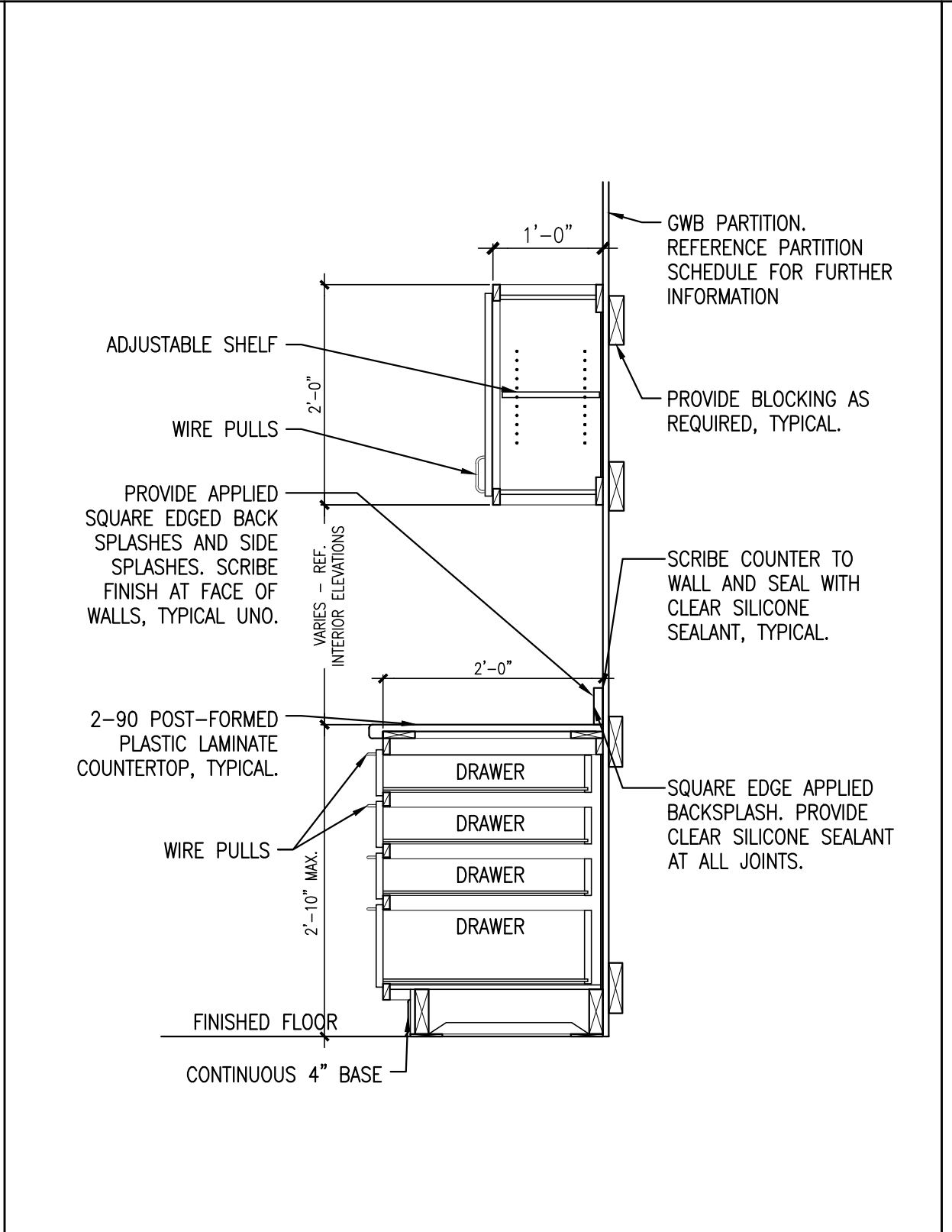
REVISION DESCRIPTION	DATE



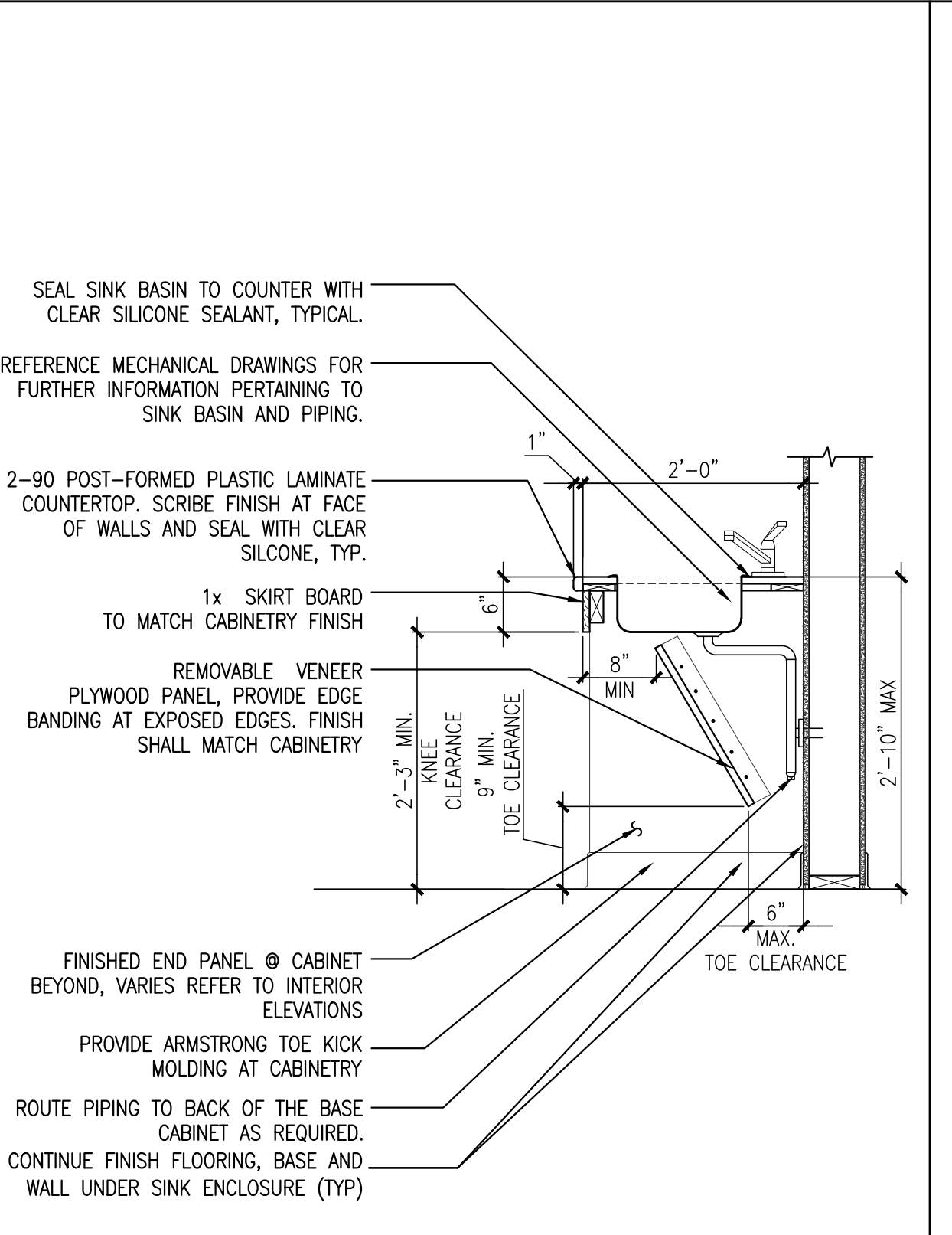
**A4** NEW KITCHEN - PROGRAM ROOM 125  
REFERENCED FROM: SCALE: 1/2" = 1'-0"



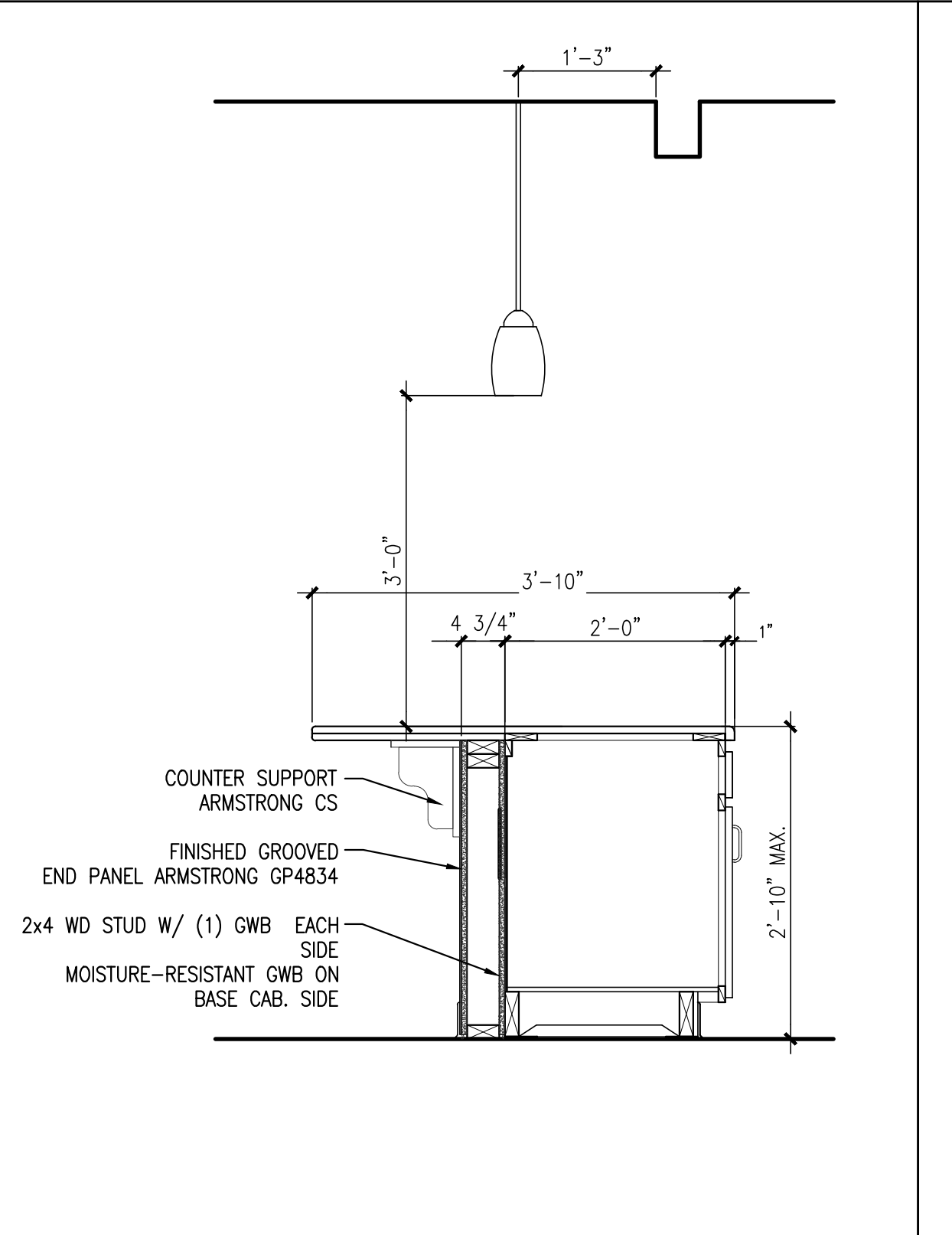
**A5** BASE CABINET  
REFERENCED FROM: SCALE: 3/4" = 1'-0"



**B5** DRAWER BASE CABINET  
REFERENCED FROM: SCALE: 3/4" = 1'-0"



**D5** SINK ENCLOSURE @ KITCHEN DETAIL  
REFERENCED FROM: SCALE: 3/4" = 1'-0"



**E5** BASE CABINET AT ISLAND COUNTER  
REFERENCED FROM: SCALE: 3/4" = 1'-0"



**G5** BASE CABINET AT ISLAND COUNTER  
REFERENCED FROM: SCALE: 3/4" = 1'-0"