

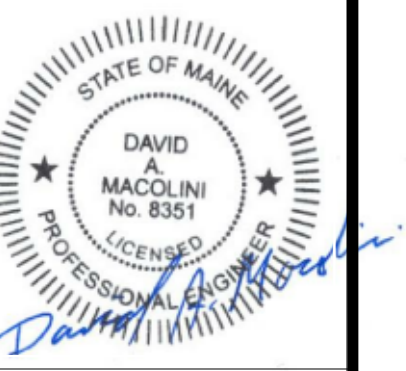
PROPOSED FDN. & FLOOR FRAMING PLAN
1/4"=1'-0"

- NOTES:
- INDICATES SPAN DIRECTION OF STEEL DECK.
 - EXIST. 1ST FLR SLAB EL=100'-0" (ASSUMED FOR REFERENCE)
 - PROPOSED 2ND FLR SLAB EL=111'-0" (VERIFY IN FIELD)
 - TOP OF STEEL (T.O.S.)=110'-6 1/2" (CONFIRM UNLESS NOTED XXX'-XX")
 - * INDICATES BEAM W/(4) 10"x20" WEB OPENINGS (SEE DETAILS)
- FOOTING SCHEDULE:
- F4: 4'-0"x4'-0"x12" FTG W/(5)#5 E.W.B.
F5: 5'-0"x5'-0"x12" FTG W/(8)#5 E.W.B.
F5x3: 5'-0"x3'-0"x24" FTG W/(3)#5 W.B.
W/(6)#5 W.B.

3" CONC SLAB (3,000 psi) W/UNDRAPE 6x6-W2.1W2.1
W.W.F. ON PAINTED OR GALV 9/16" 24 GAGE STEEL DECK
(VULCRAFT 0.6C OR EQUAL) 3/4 PUDDLE WELD PATTERN
W/WELDING WASHERS-NO SIDELAP FASTENING.

(2) ROWS L1x1x1/8 HORIZ BRIDGING
@ 1/3 POINTS OF JOIST SPAN.

FOR BUILDING PERMIT
PRELIMINARY 08-17-11
THESE DWGS ARE NOT COMPLETE.
DESIGN IS STILL IN PROGRESS.
CONTRACTOR SHALL CARRY
APPROPRIATE CONTINGENCY.

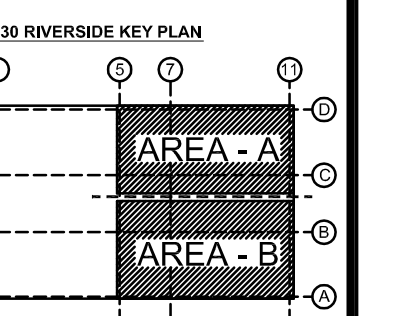


© 2011 TFH ARCHITECTS

EnviroLogix
RIVERSIDE CAMPUS
530 - DNA EXPANSION
PORTLAND, MAINE

TFH ARCHITECTS
80 MIDDLE STREET
PORTLAND, MAINE 04101
TELEPHONE 207 775 6141
ARCHITECTURE PLANNING

CONSULTANTS:
STRUCTURAL:
Bovick Structural Engineers, Inc.
25 York Street
Portland, ME 04101-4450
207-791-1518
MECHANICAL:
Integrated Energy Systems PLLC
210 Middle Road
Fairfield, ME 04105
207-791-0310
ELECTRICAL:
BARNETT ENGINEERING
7 Bennett Road
Frogort, ME 04032
207-885-0475

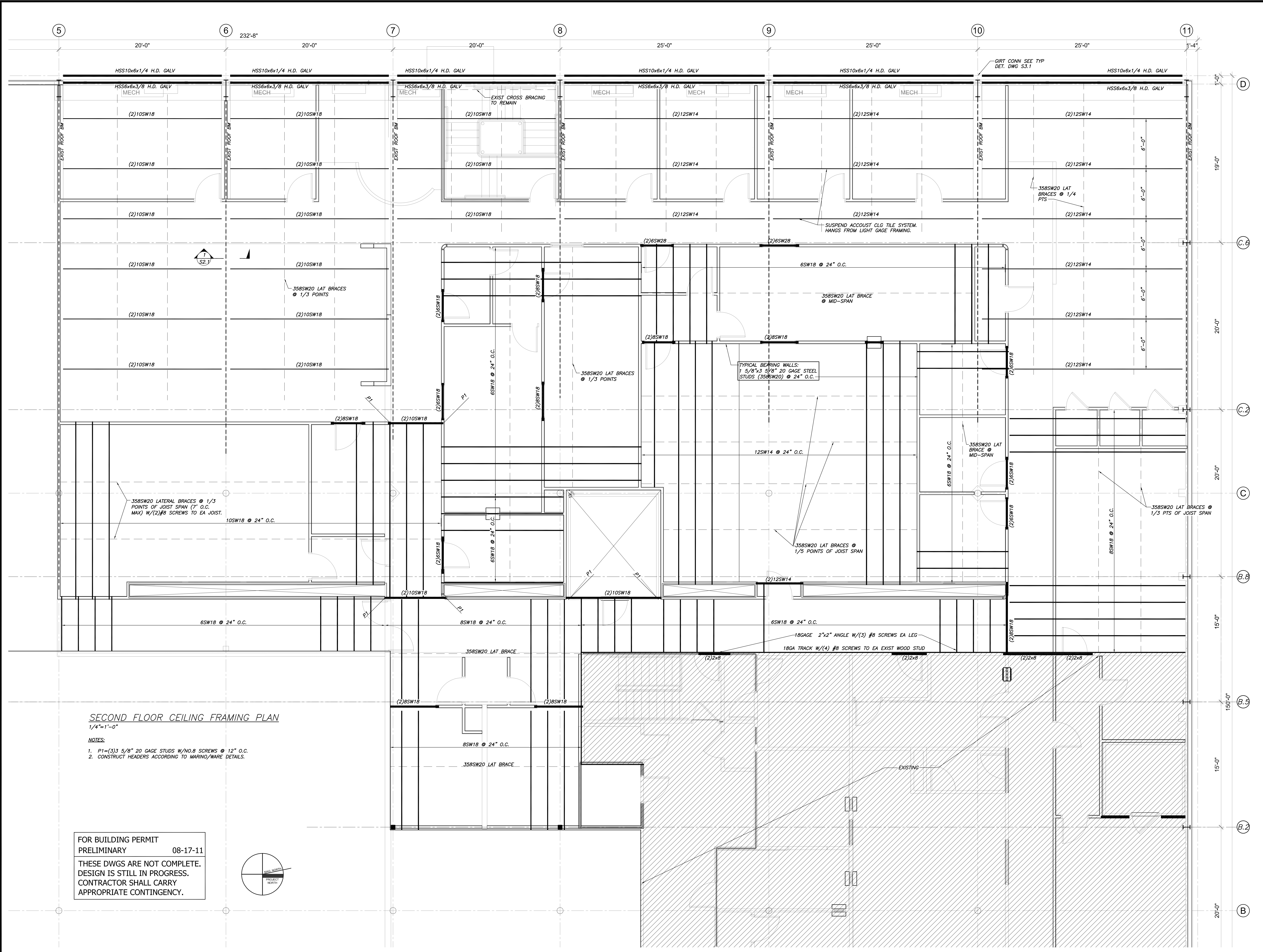


REVISIONS:

DATE: 08-17-11
PROJECT No. 1026A
DRAWN BY: MK
CHECKED BY: DAM
SCALE: AS NOTED

SHEET TITLE:
2ND FLOOR
CEILING
FRAMING

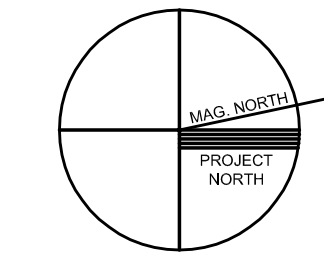
S1.2

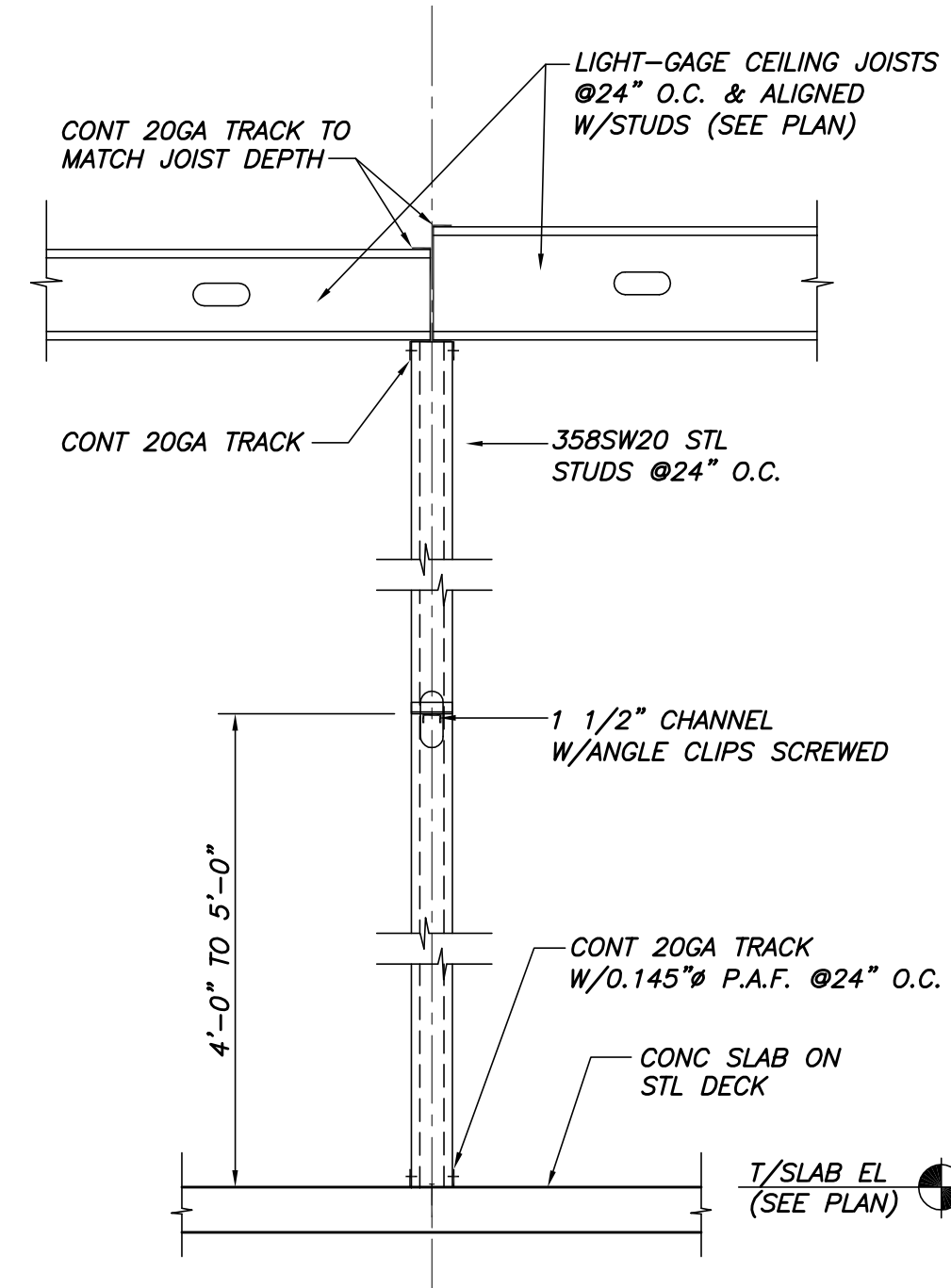
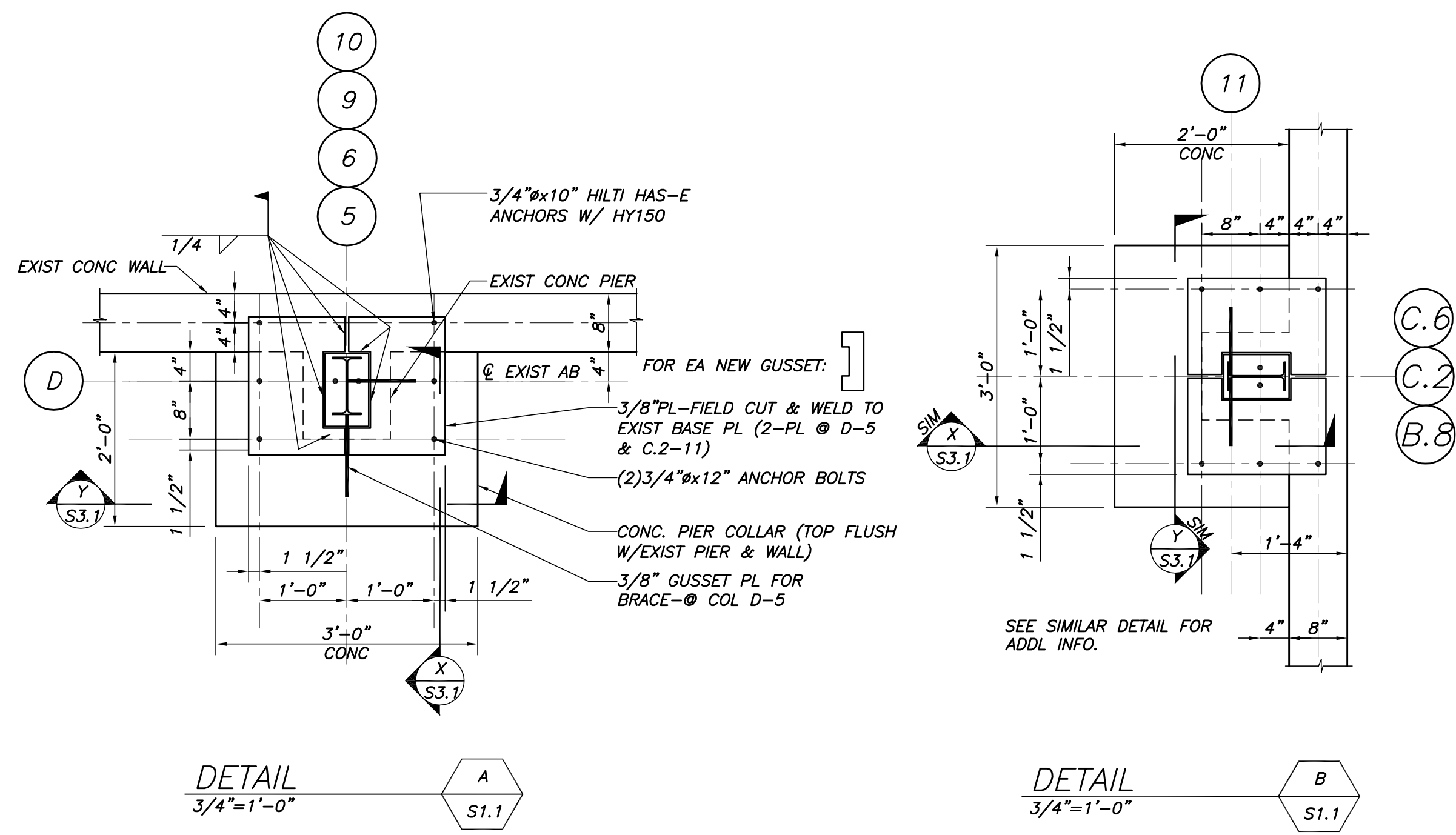


SECOND FLOOR CEILING FRAMING PLAN
1/4"=1'-0"

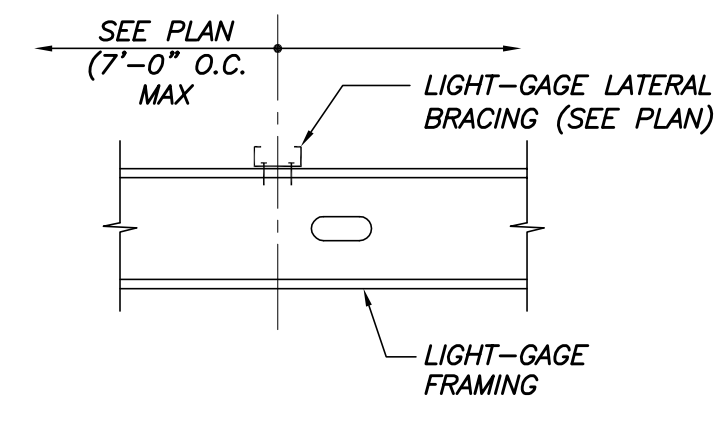
- NOTES:**
1. P1=(3)3 5/8" 20 GAGE STUDS W/NO.8 SCREWS @ 12" O.C.
 2. CONSTRUCT HEADERS ACCORDING TO MARINO/WARE DETAILS.

FOR BUILDING PERMIT
PRELIMINARY 08-17-11
THESE DWGS ARE NOT COMPLETE.
DESIGN IS STILL IN PROGRESS.
CONTRACTOR SHALL CARRY
APPROPRIATE CONTINGENCY.

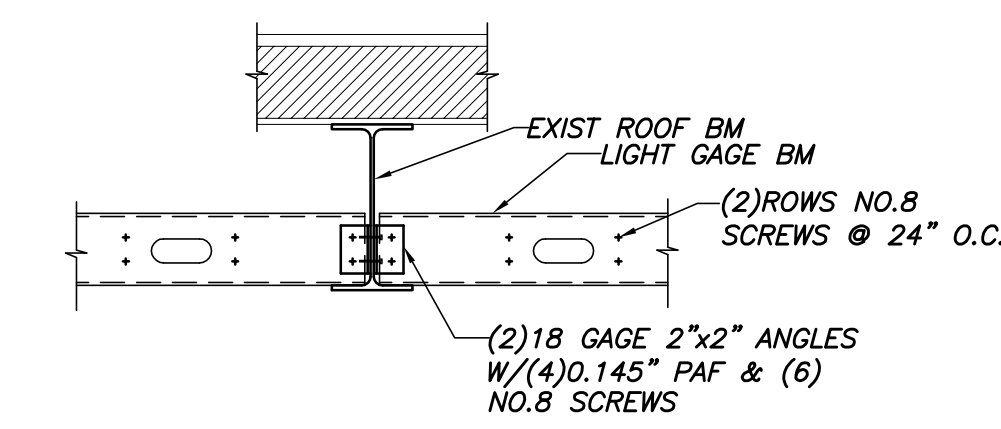




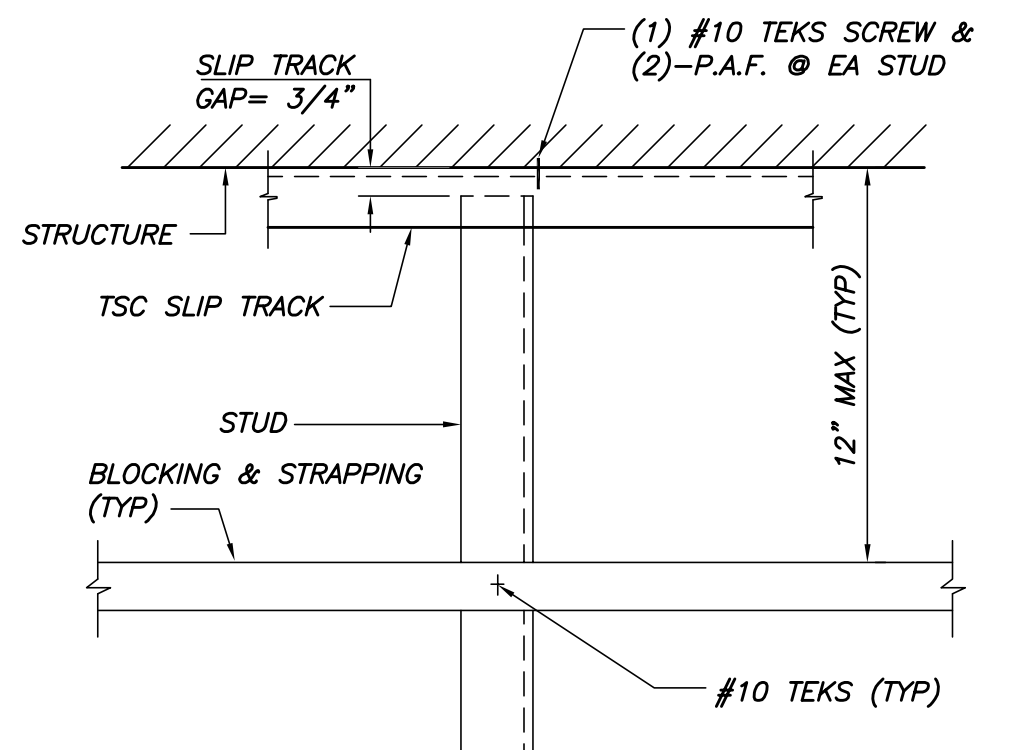
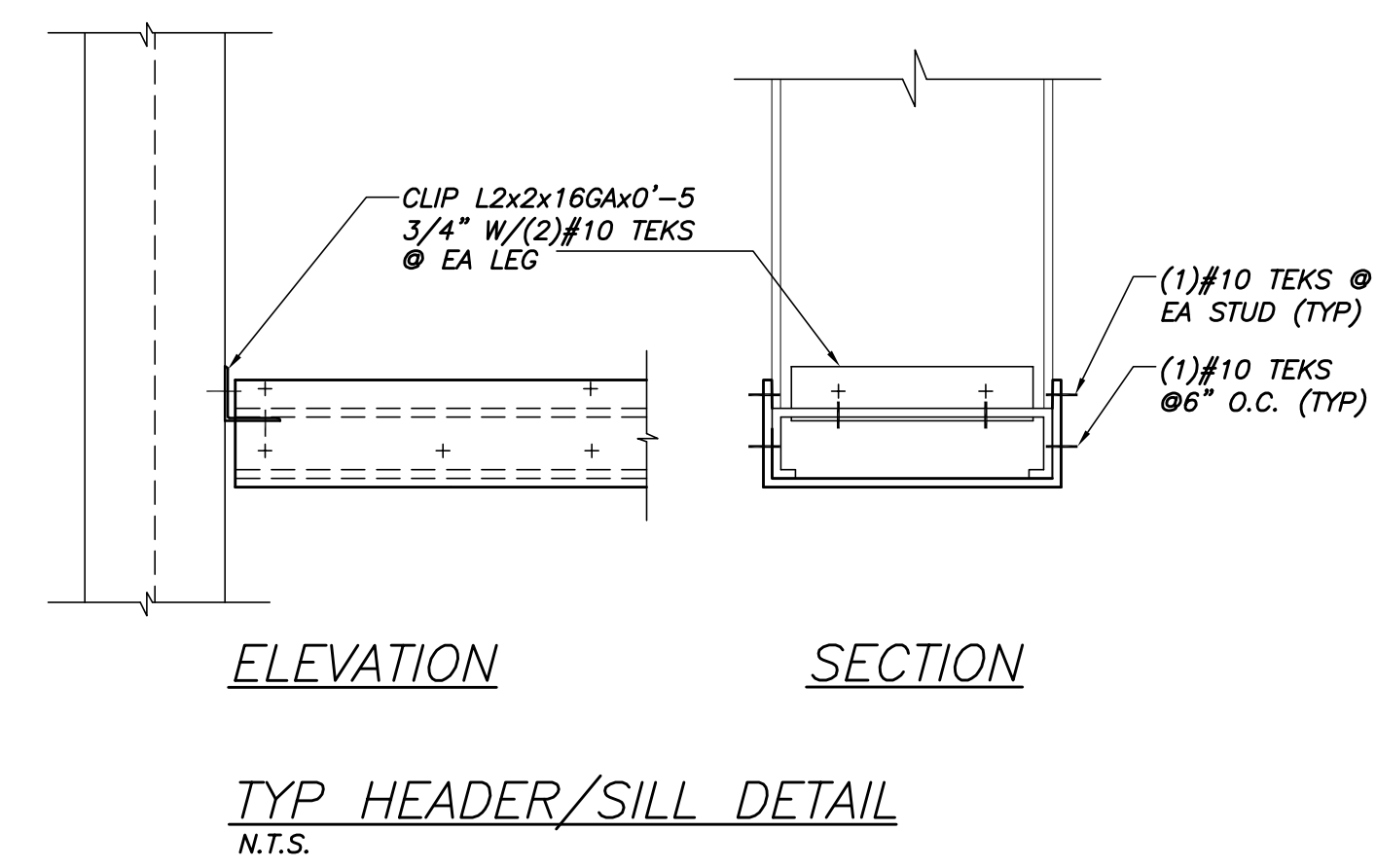
TYPICAL LIGHT GAGE WALL & CEILING JOIST FRAMING DETAIL



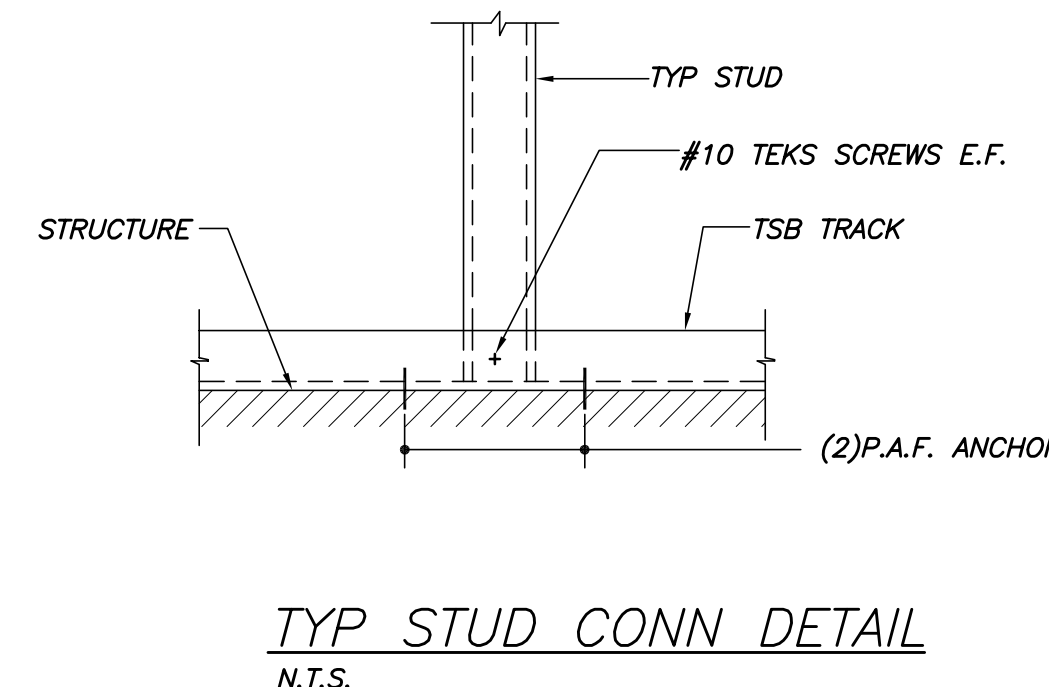
TYPICAL LATERAL BRACE DETAIL AT LIGHT-GAGE FRAMING



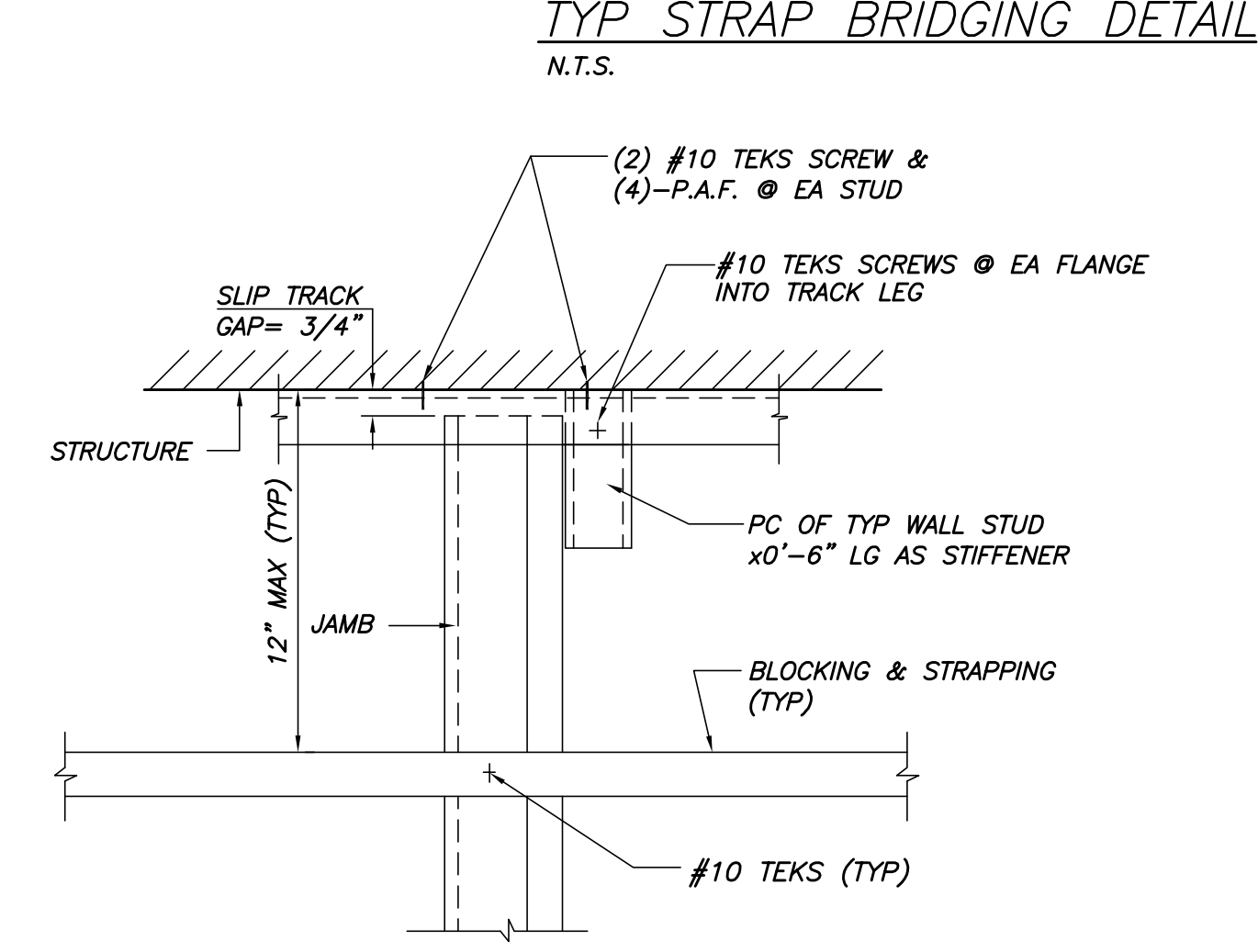
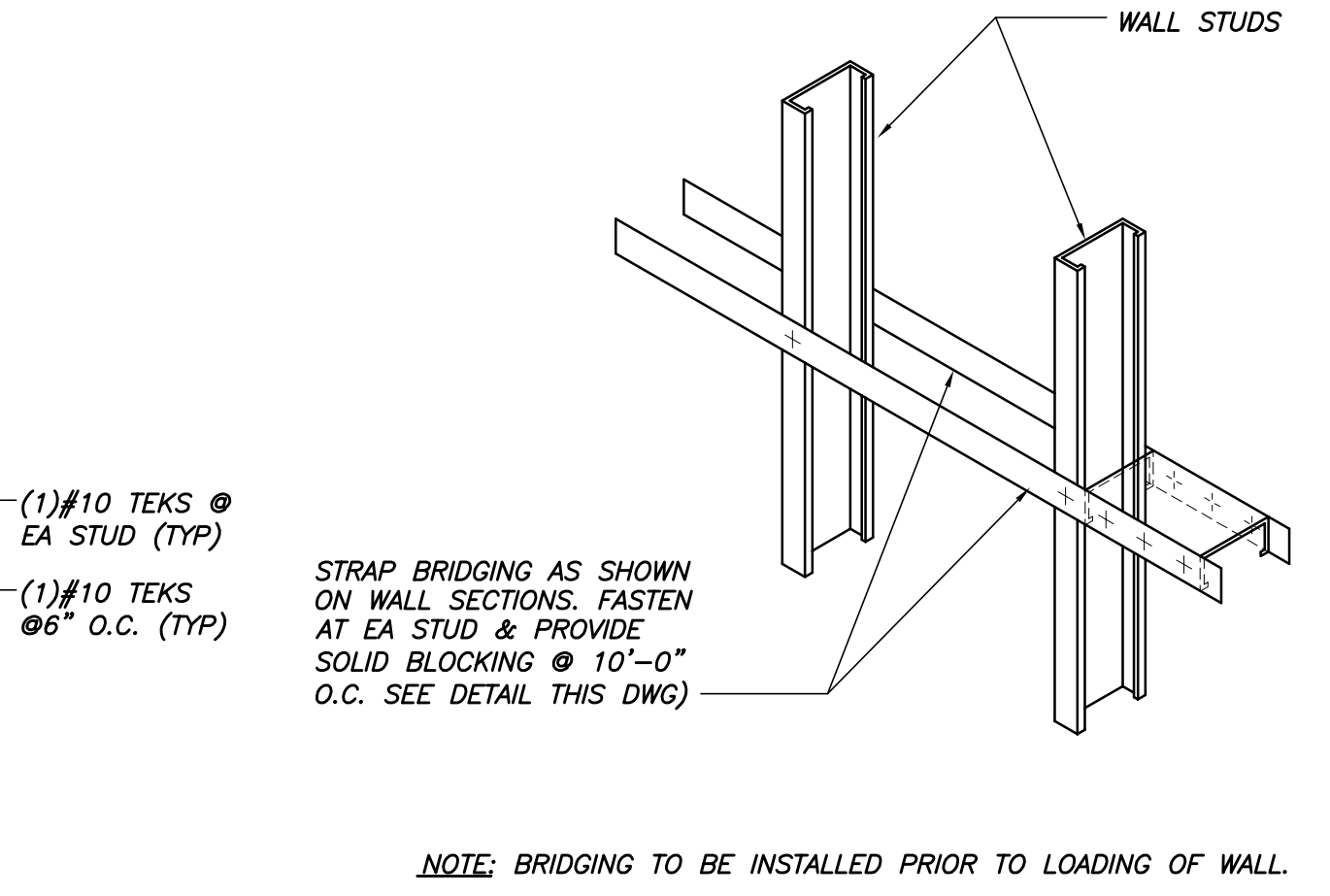
SECTION 3/4"=1'-0" S1.2



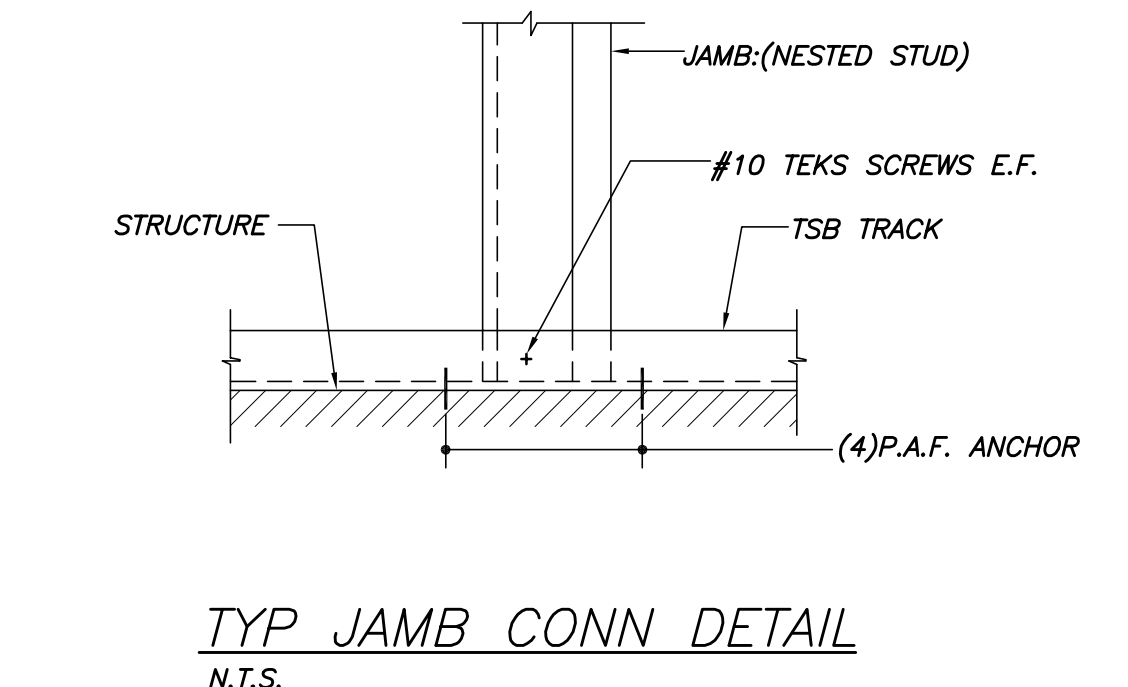
TYP. STUD SLIP TRACK CONN DETAIL



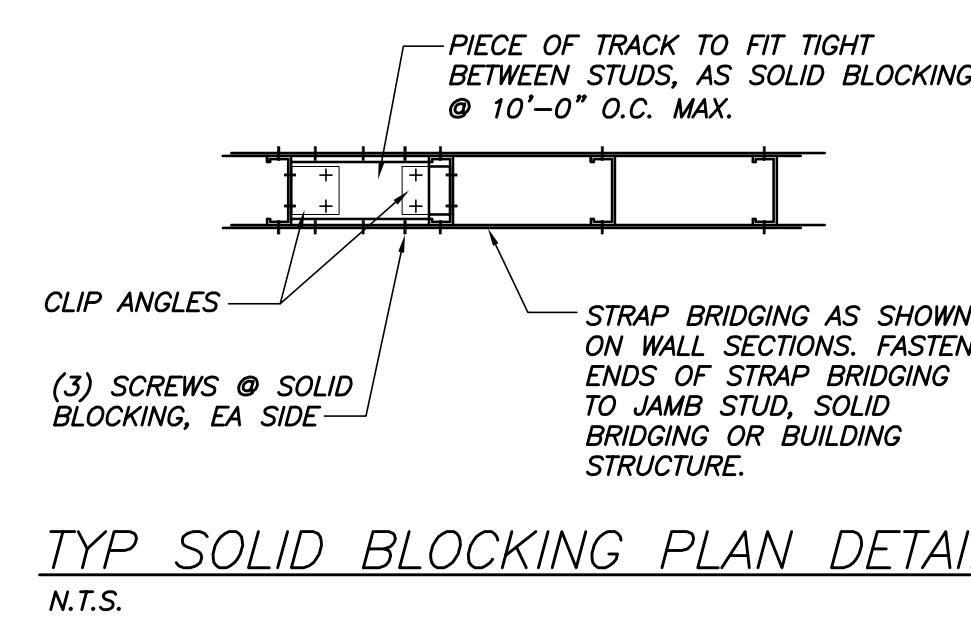
TYP. STUD CONN DETAIL



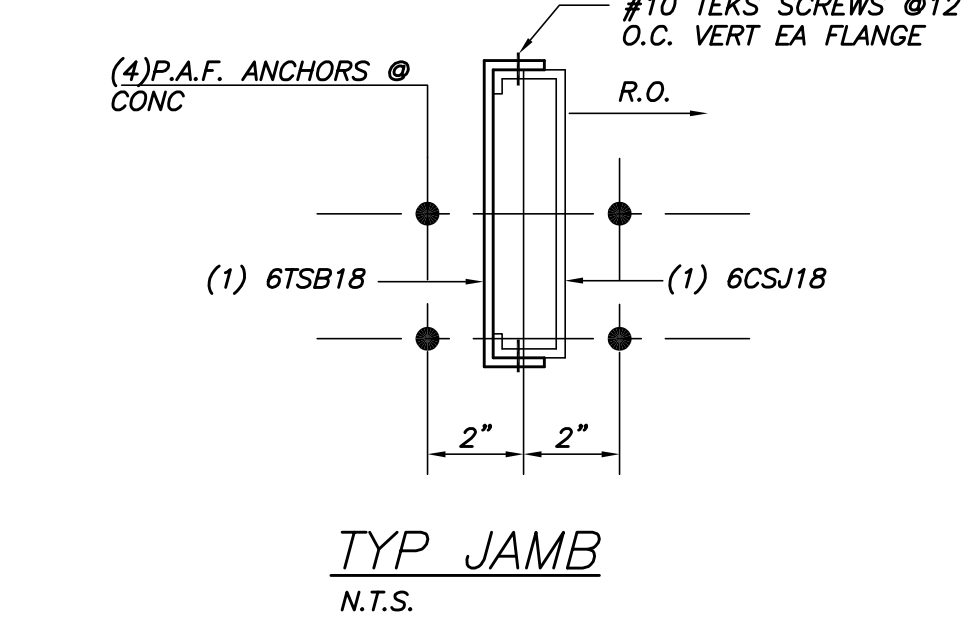
TYP. JAMB SLIP TRACK CONN DETAIL



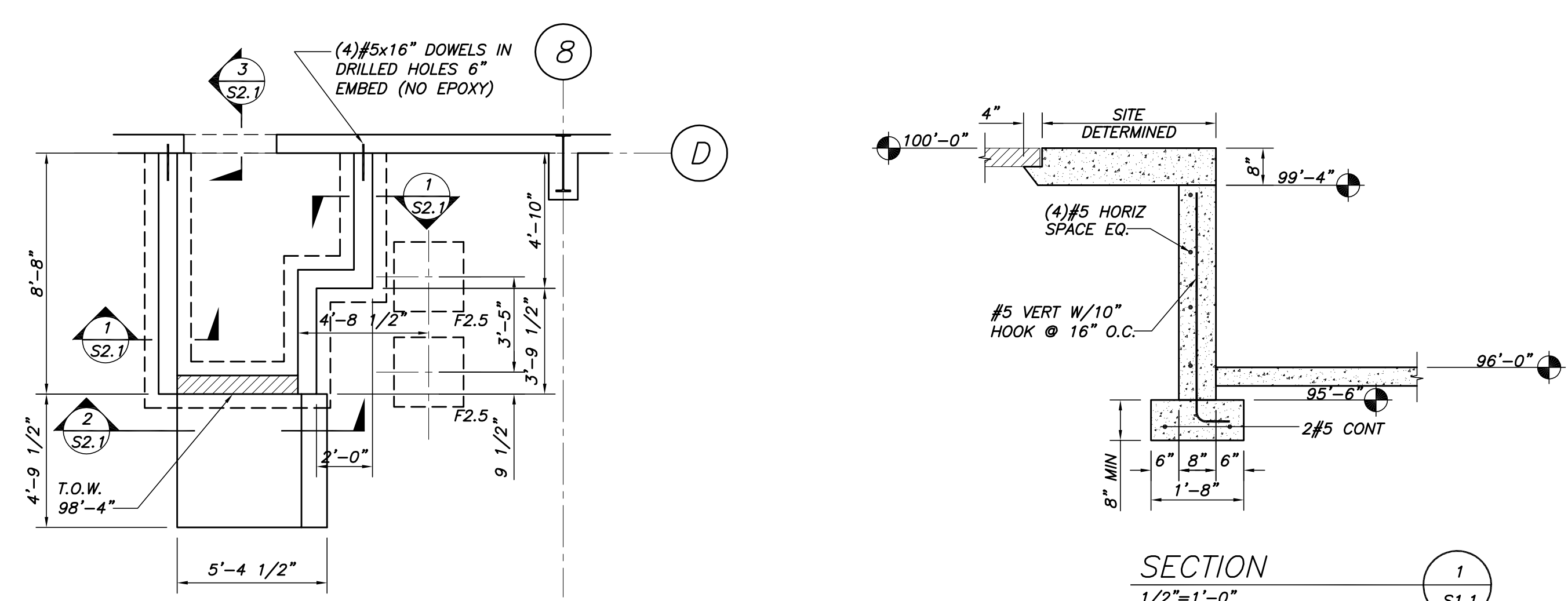
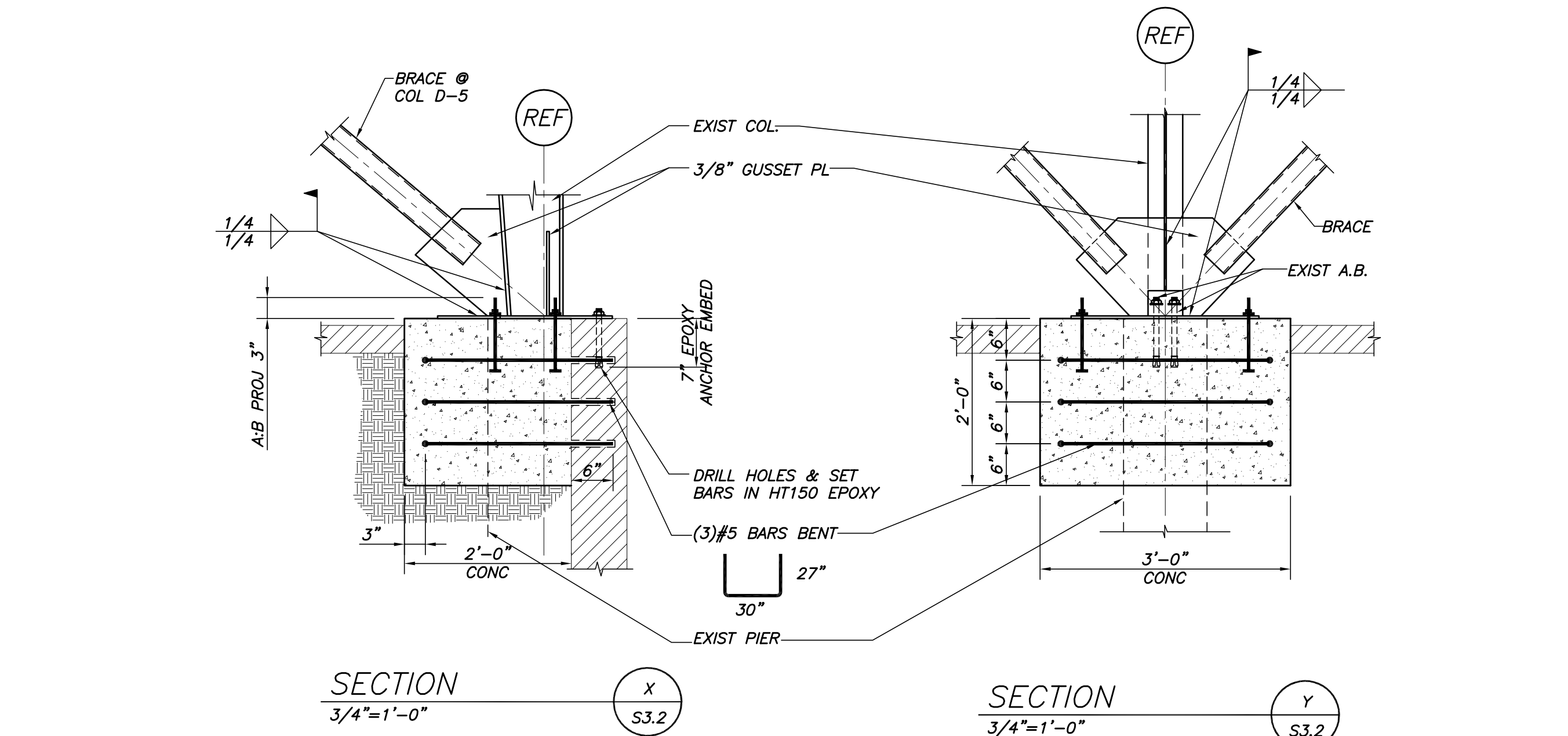
TYP. JAMB CONN DETAIL



TYP. SOLID BLOCKING PLAN DETAIL

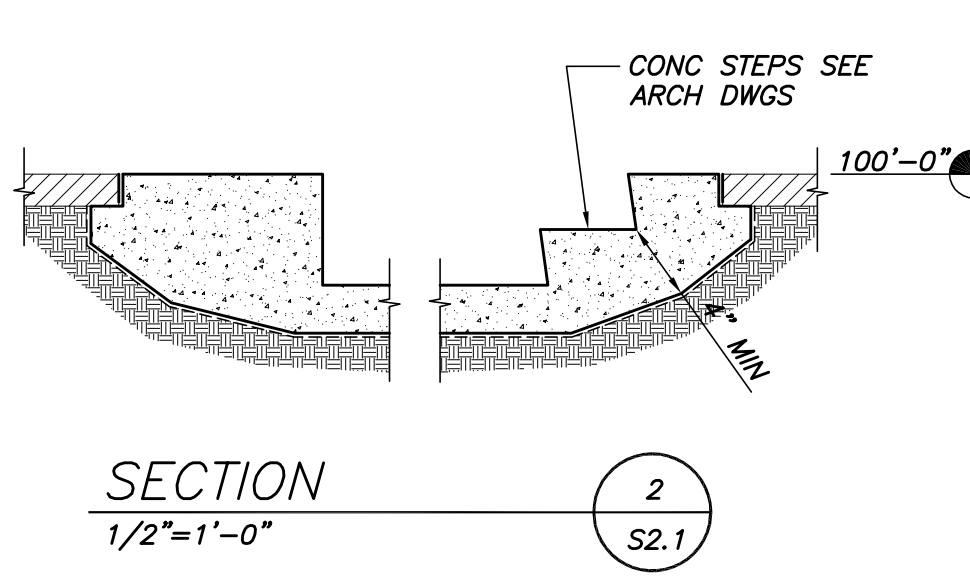


TYP. JAMB CONN DETAIL

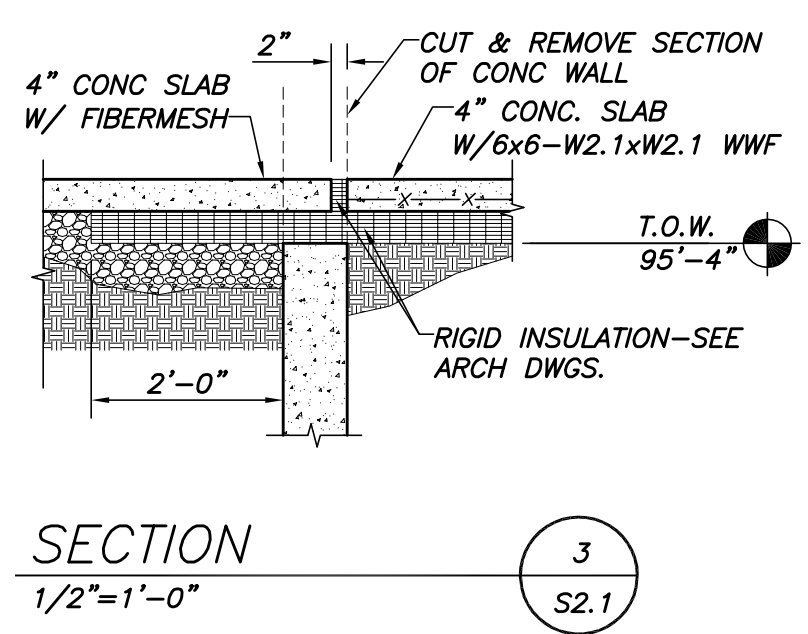


FDN. PLAN @ STAIR
1/4"=1'-0"

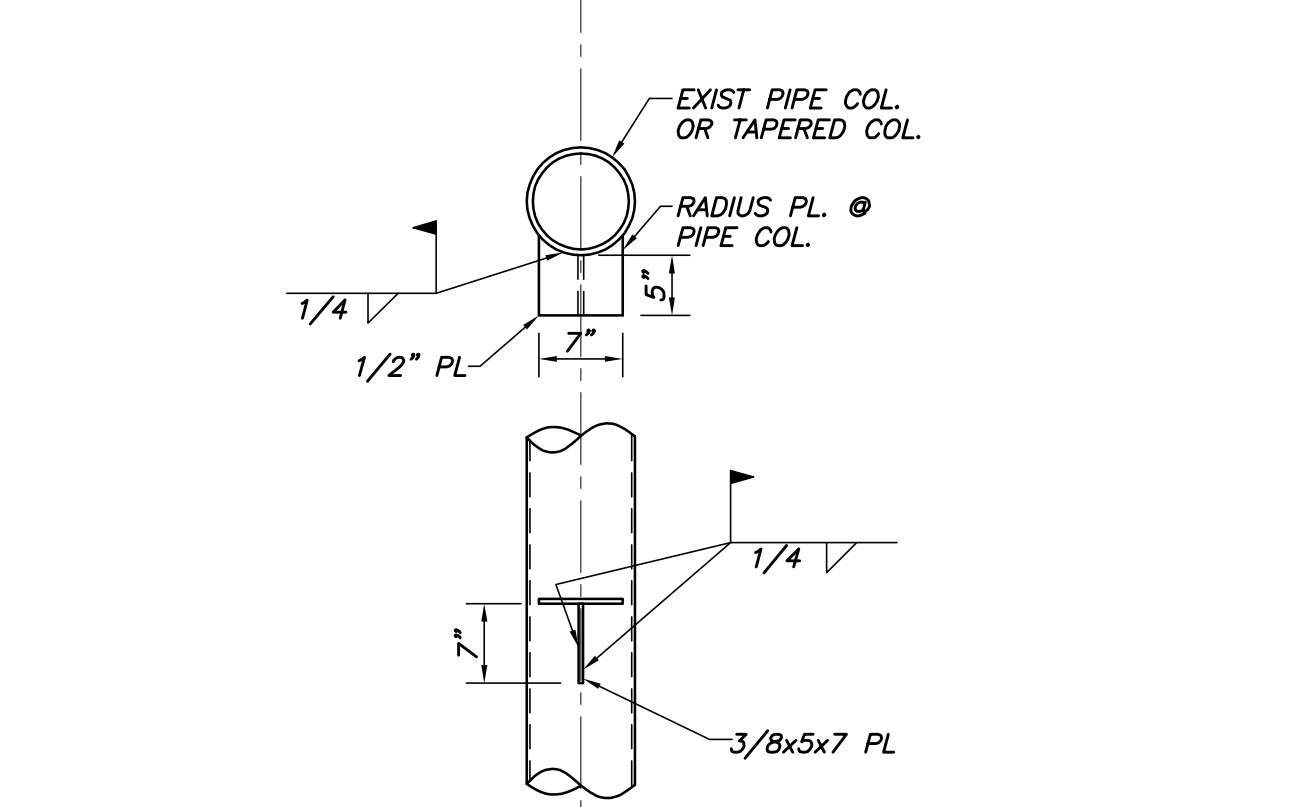
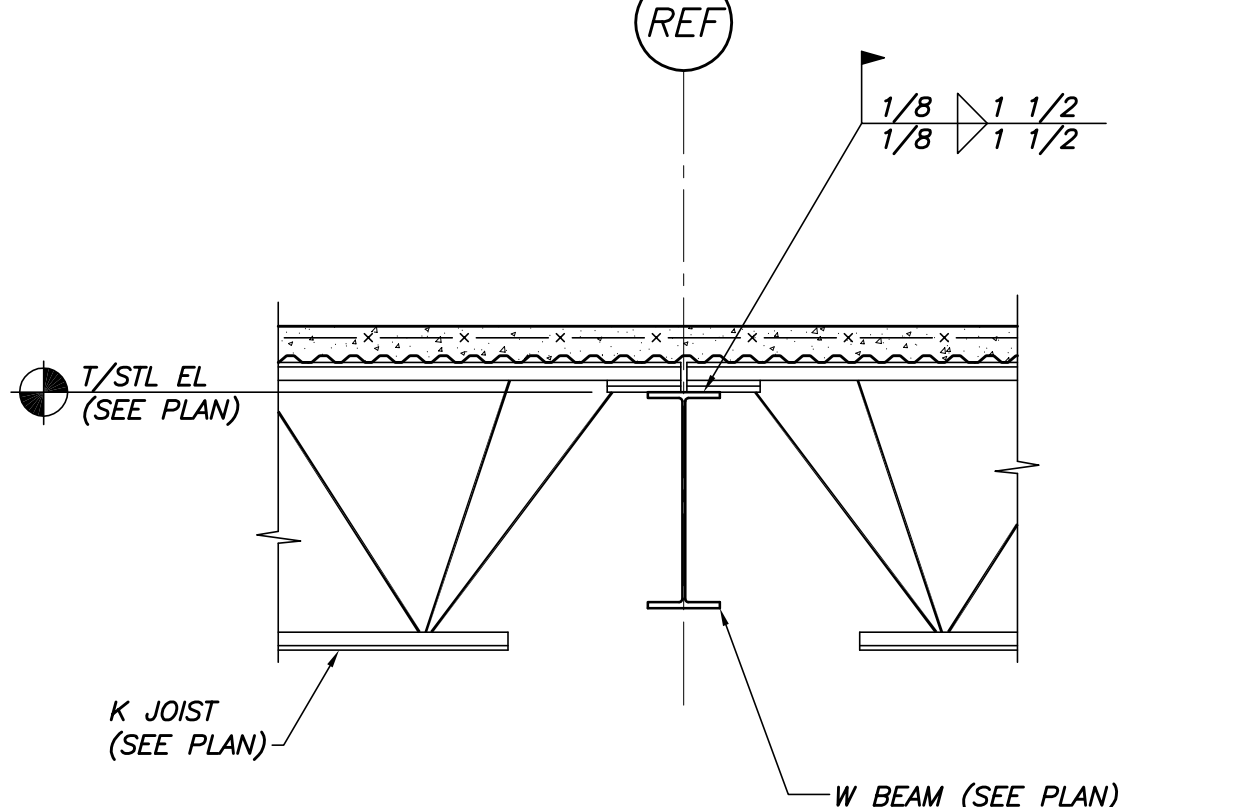
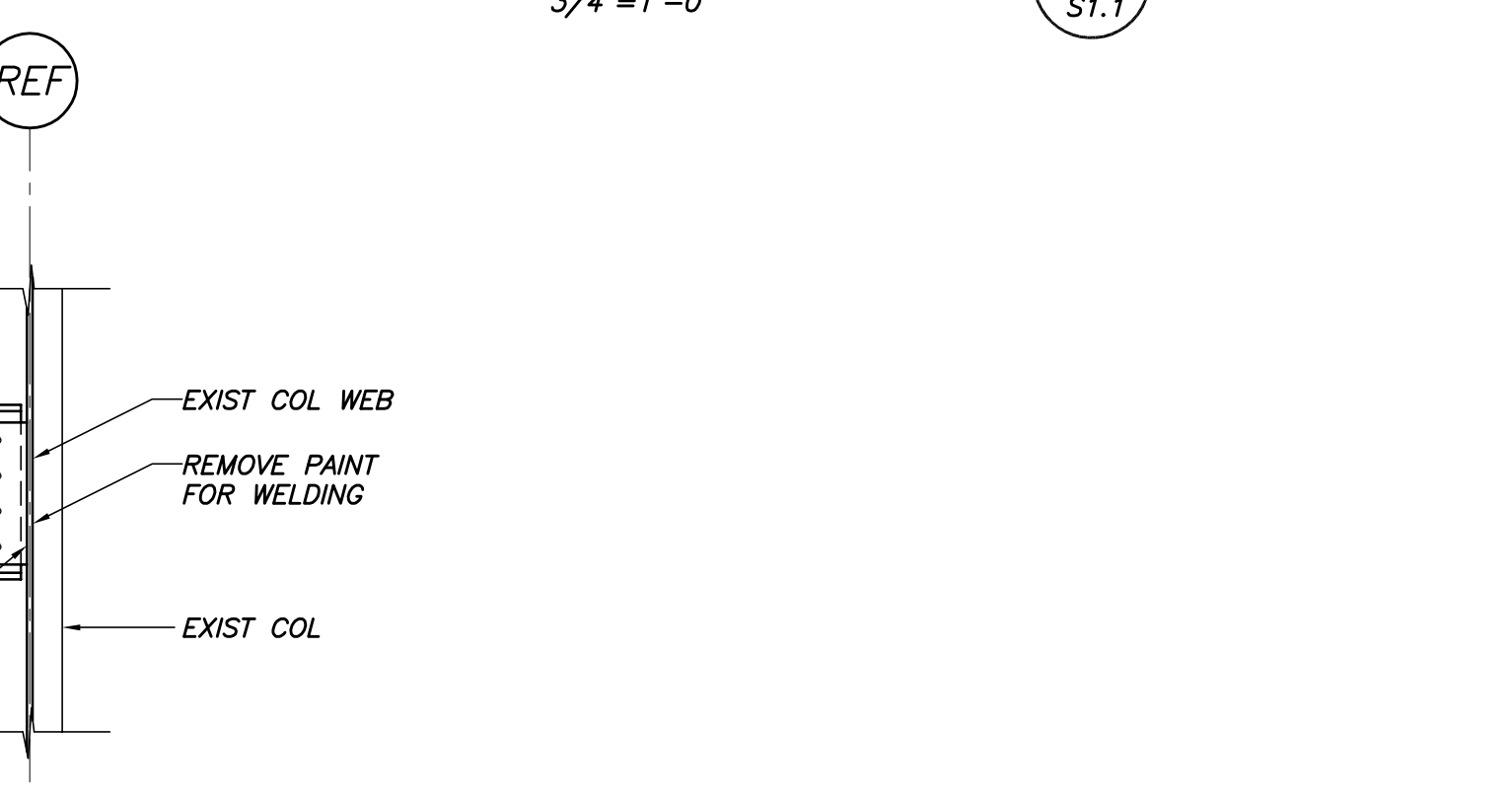
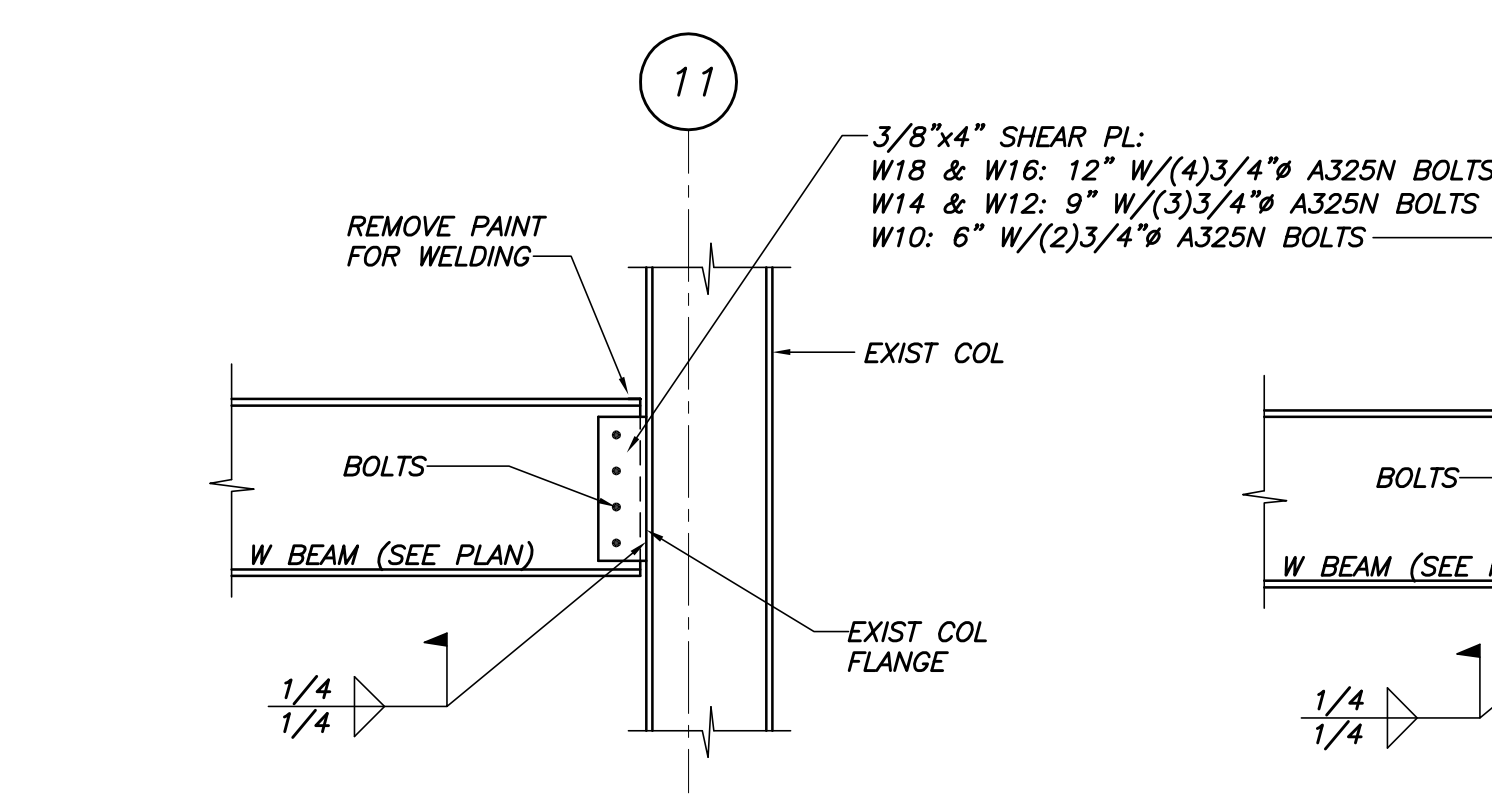
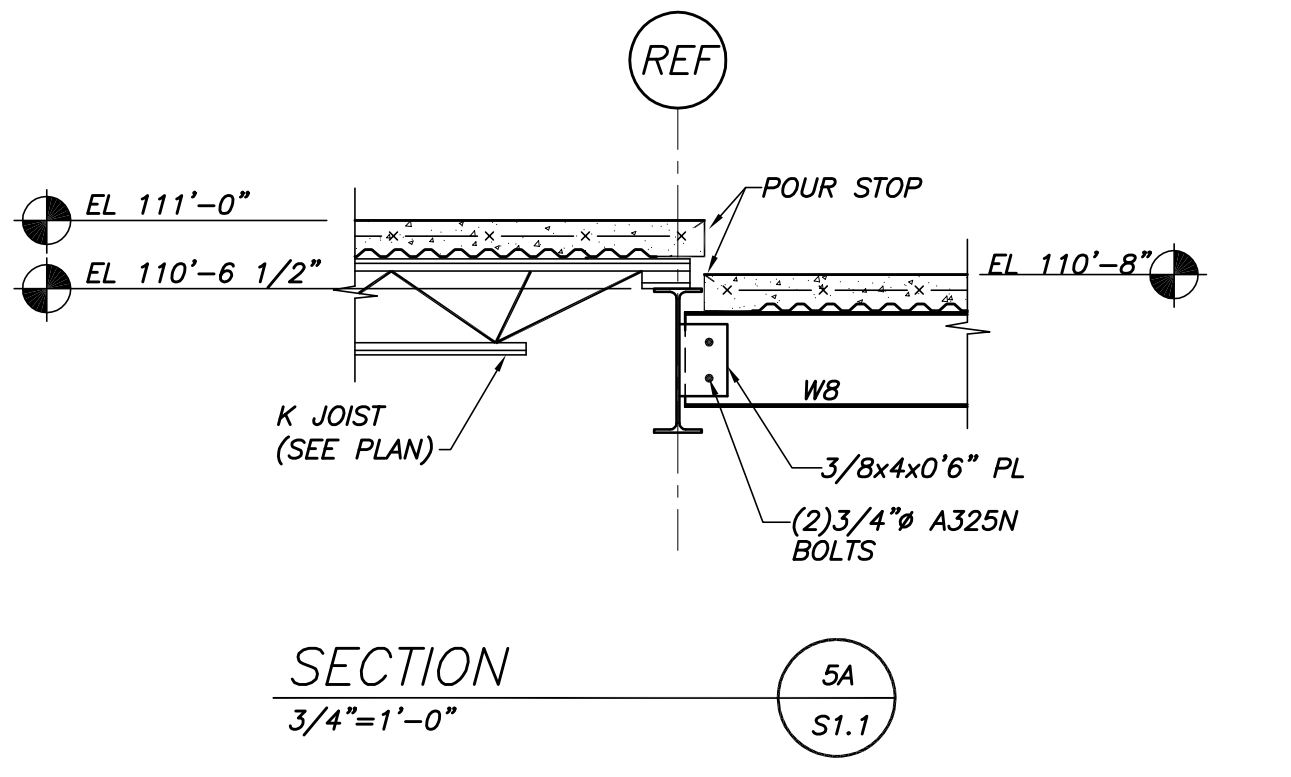
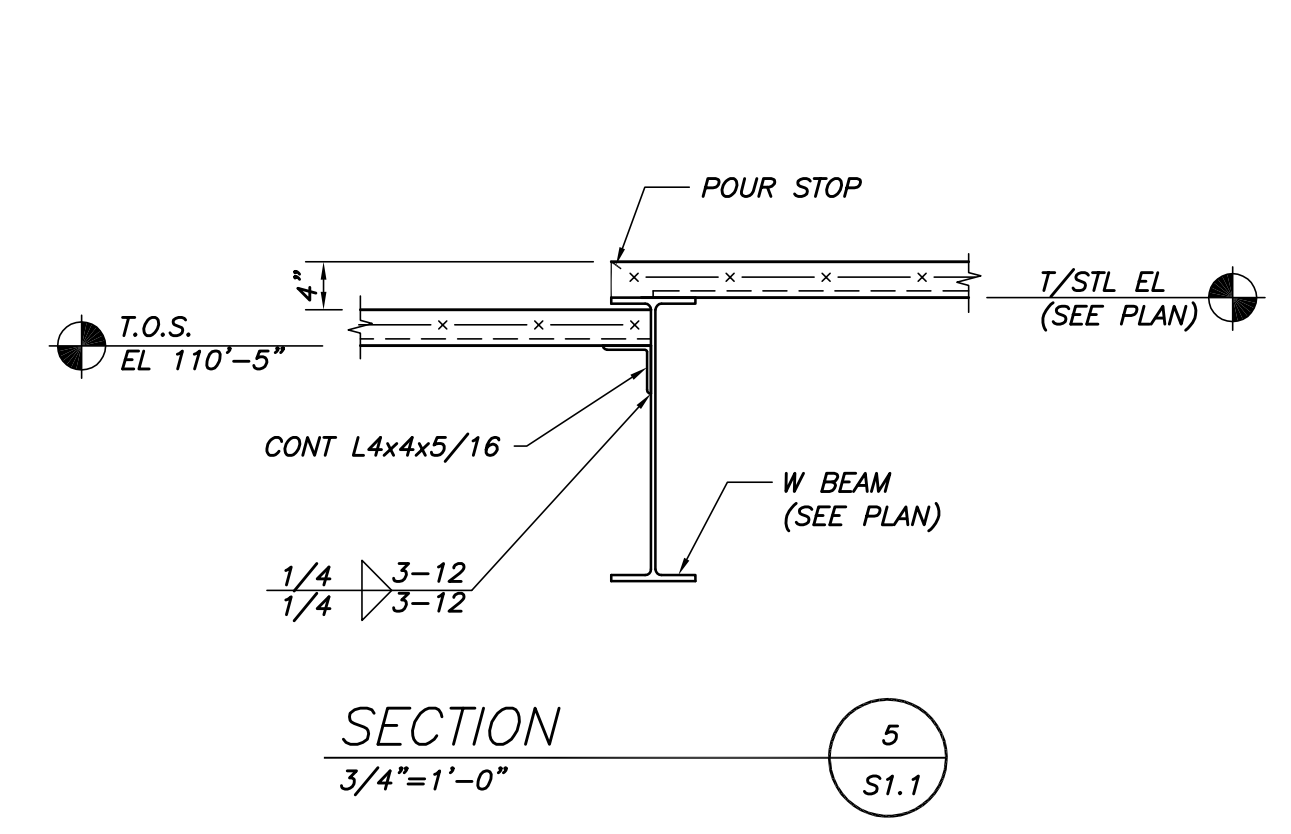
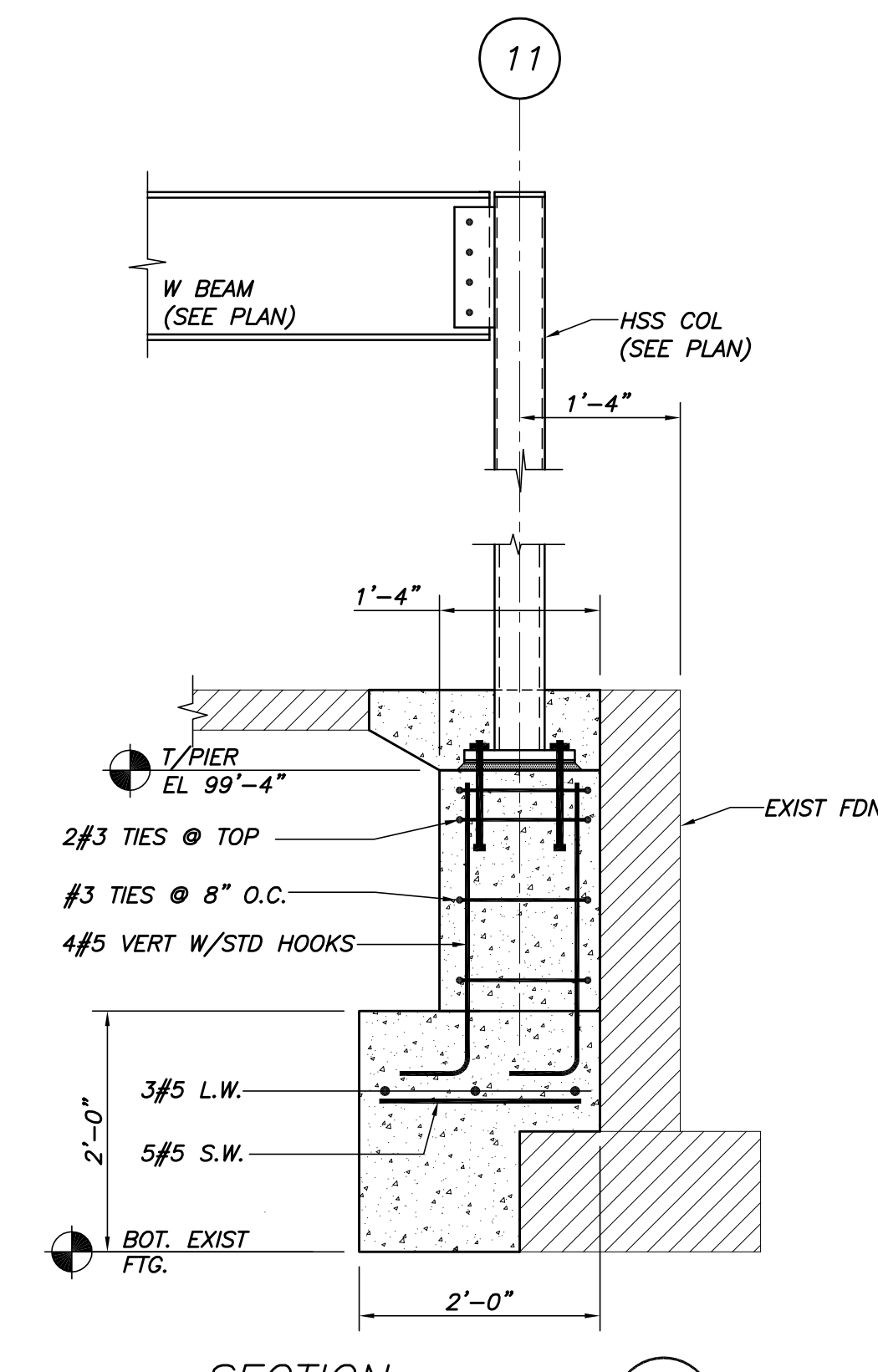
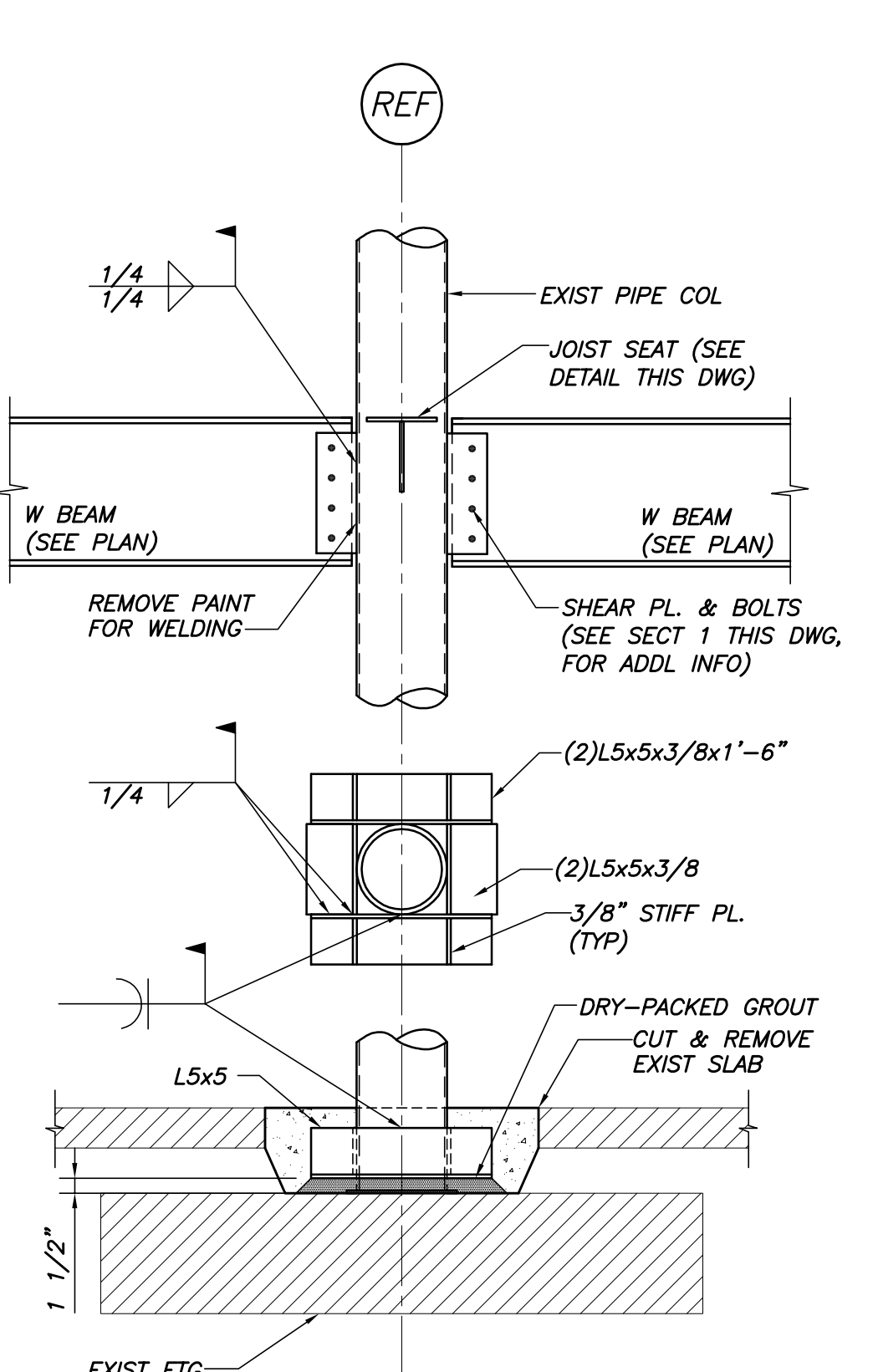
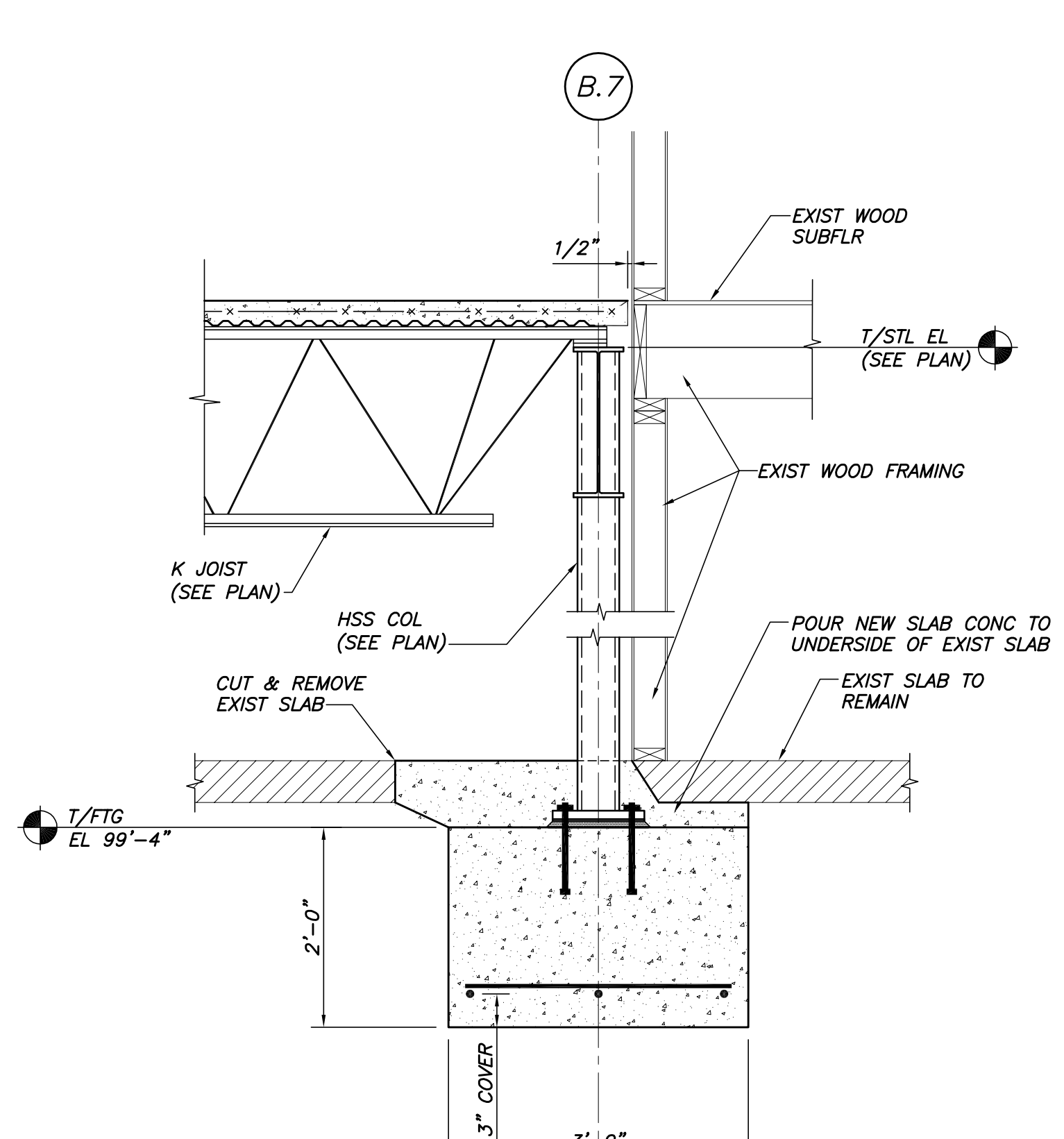
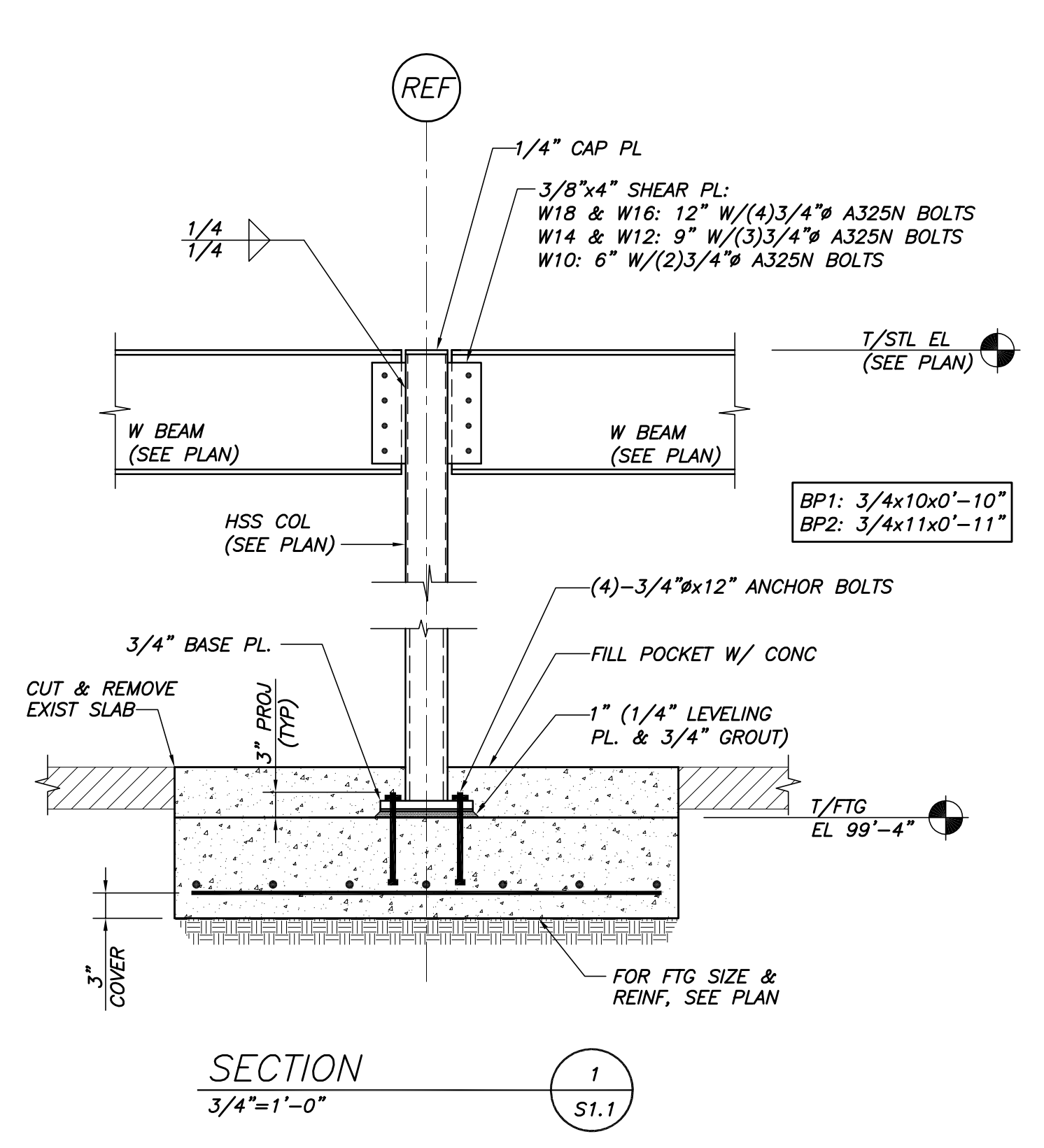
NOTE:
F2.5: 2'-6"x2'-6"x0'-10" FTG
W/ (3) #5 E.W.



SECTION 1/2"=1'-0" S2.1



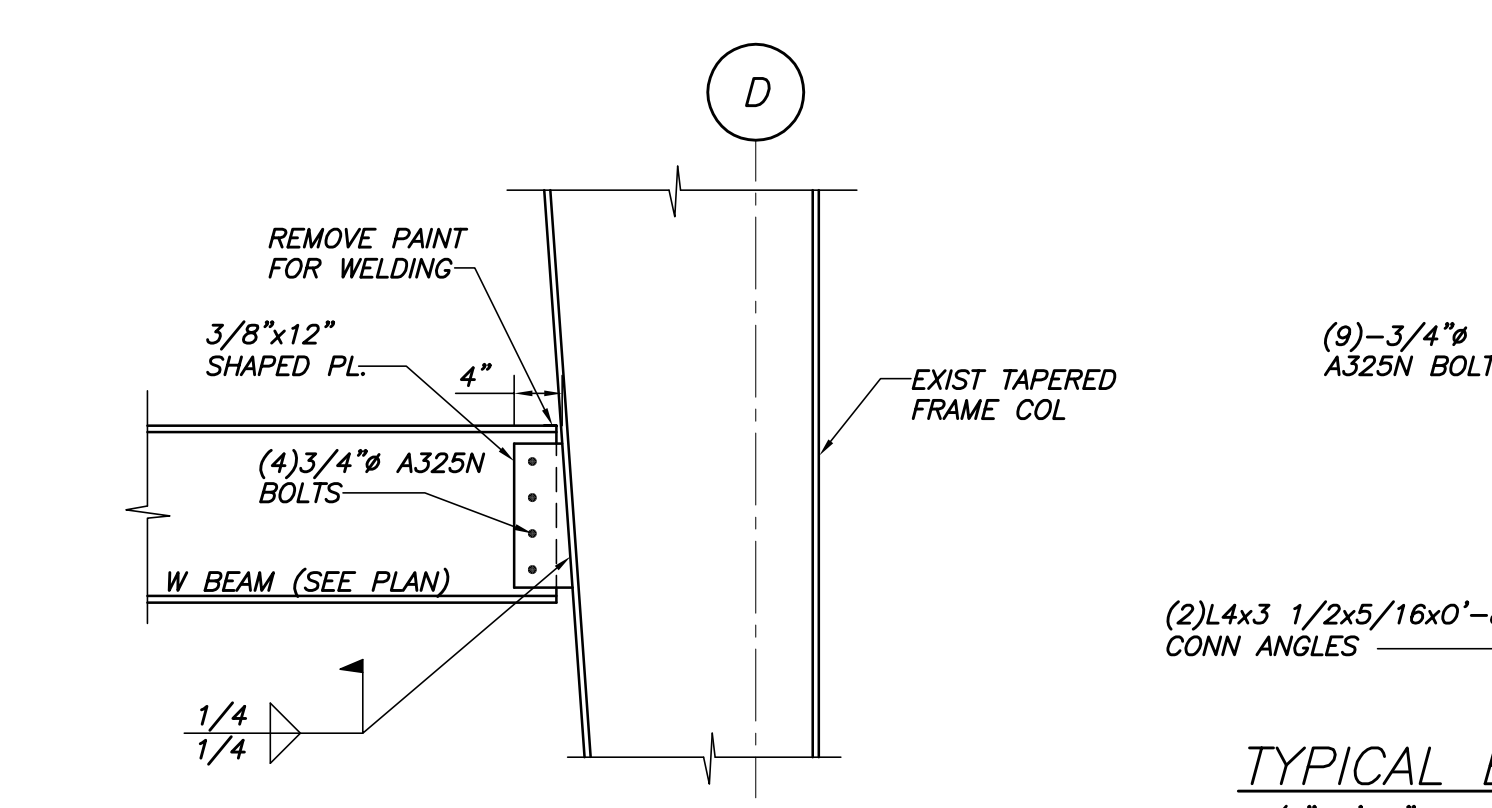
SECTION 1/2"=1'-0" S2.1



TYPICAL BEAM TO EXIST COLN
 3/4"=1'-0"

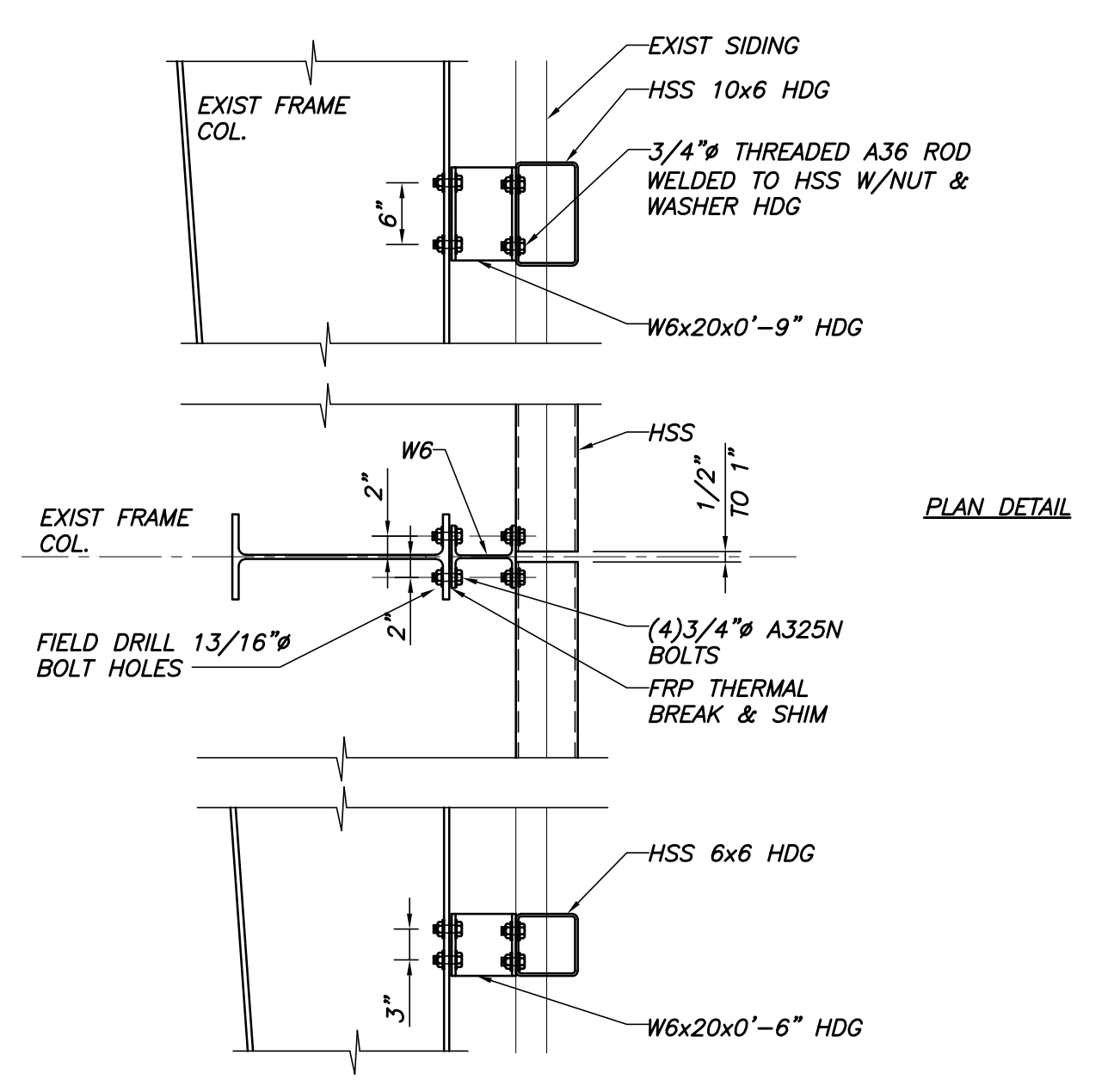
TYPICAL JOIST ON BEAM
 3/4"=1'-0"

TYPICAL JOIST SEAT @ COL
 3/4"=1'-0"

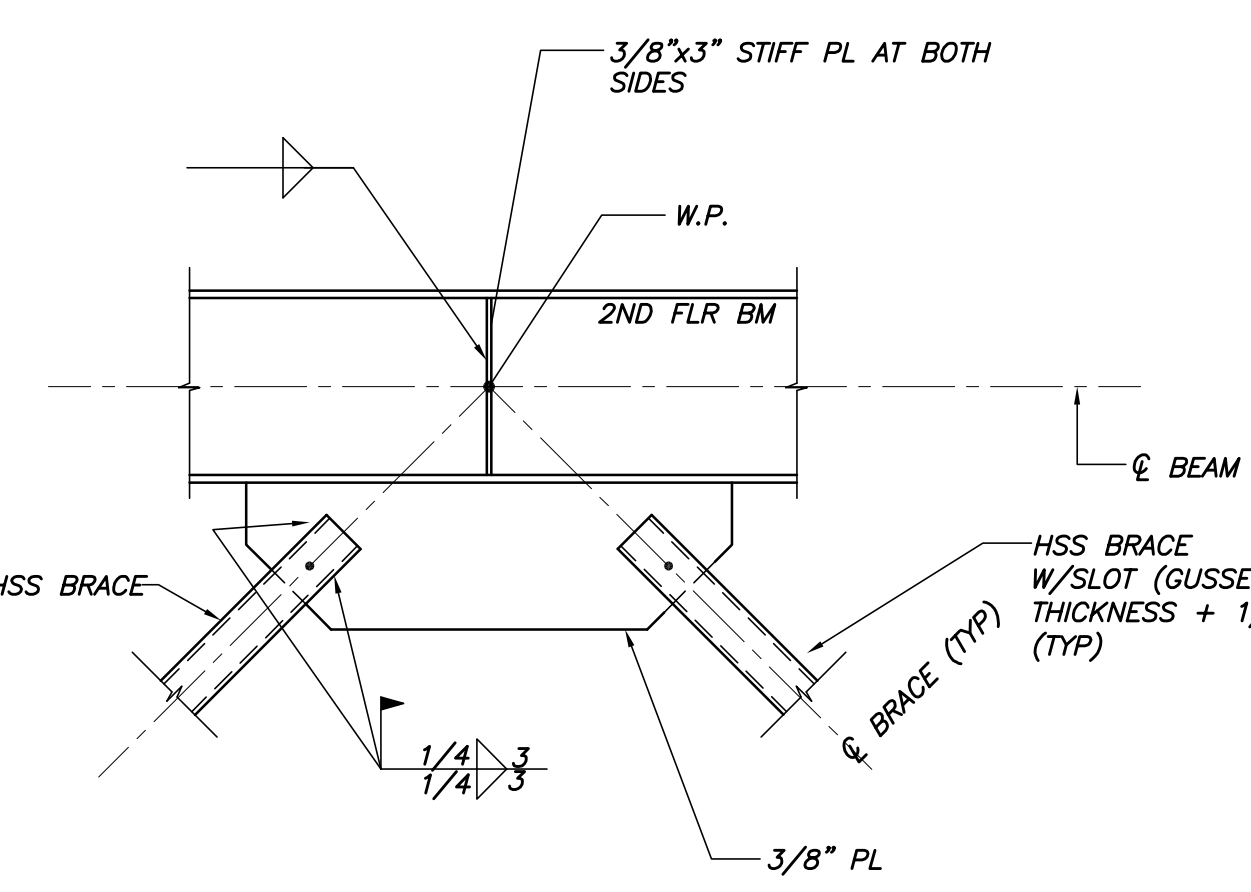


TYPICAL BEAM TO EXIST TAPERED COLN
 3/4"=1'-0"

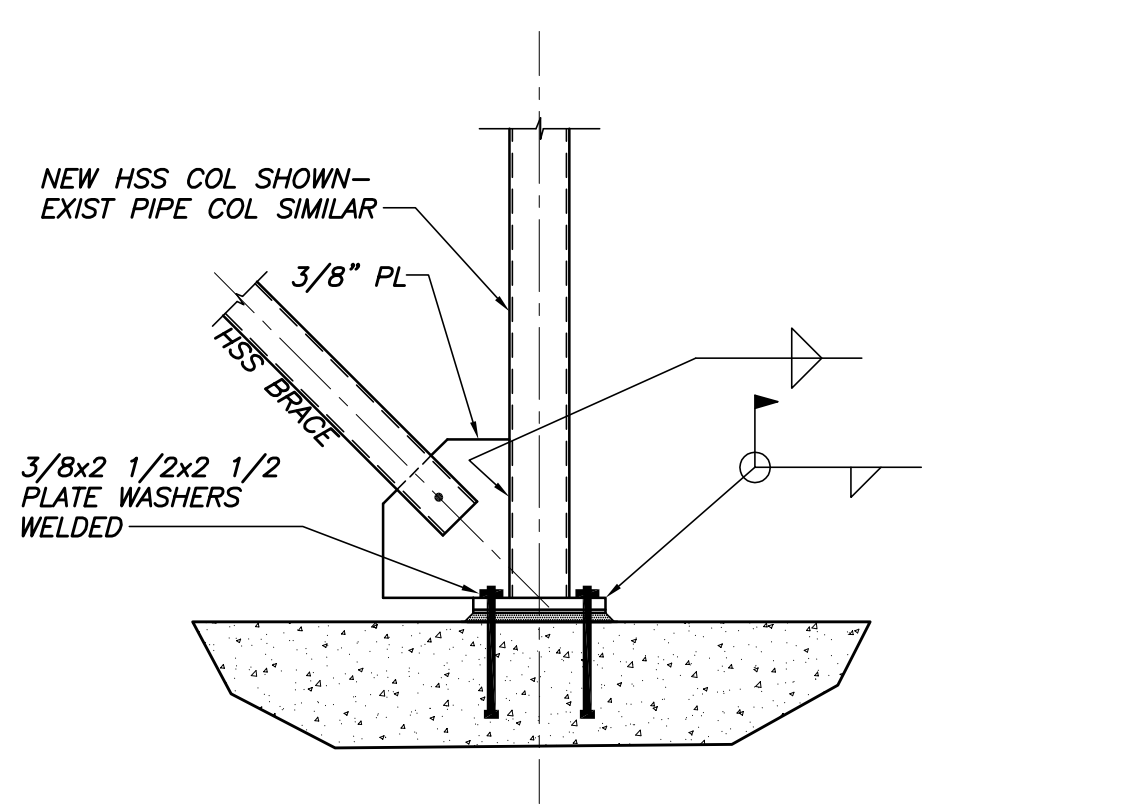
TYPICAL BEAM TO BEAM CONN
 3/4"=1'-0"



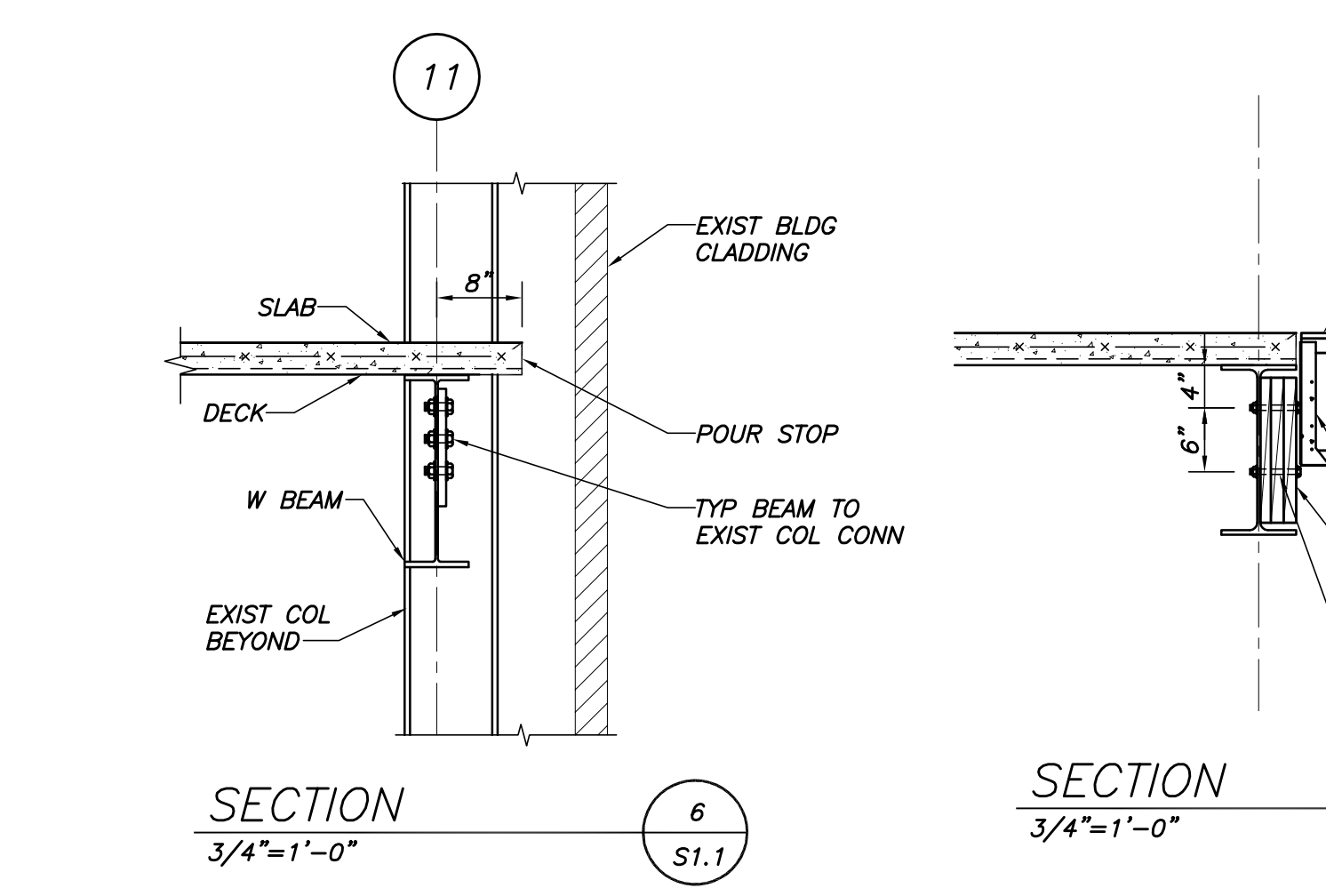
TYPICAL GIRT DETAIL CONN @ WEST WALL
 3/4"=1'-0"



TYP. CHEVRON BRACING DETAILS
 3/4"=1'-0"



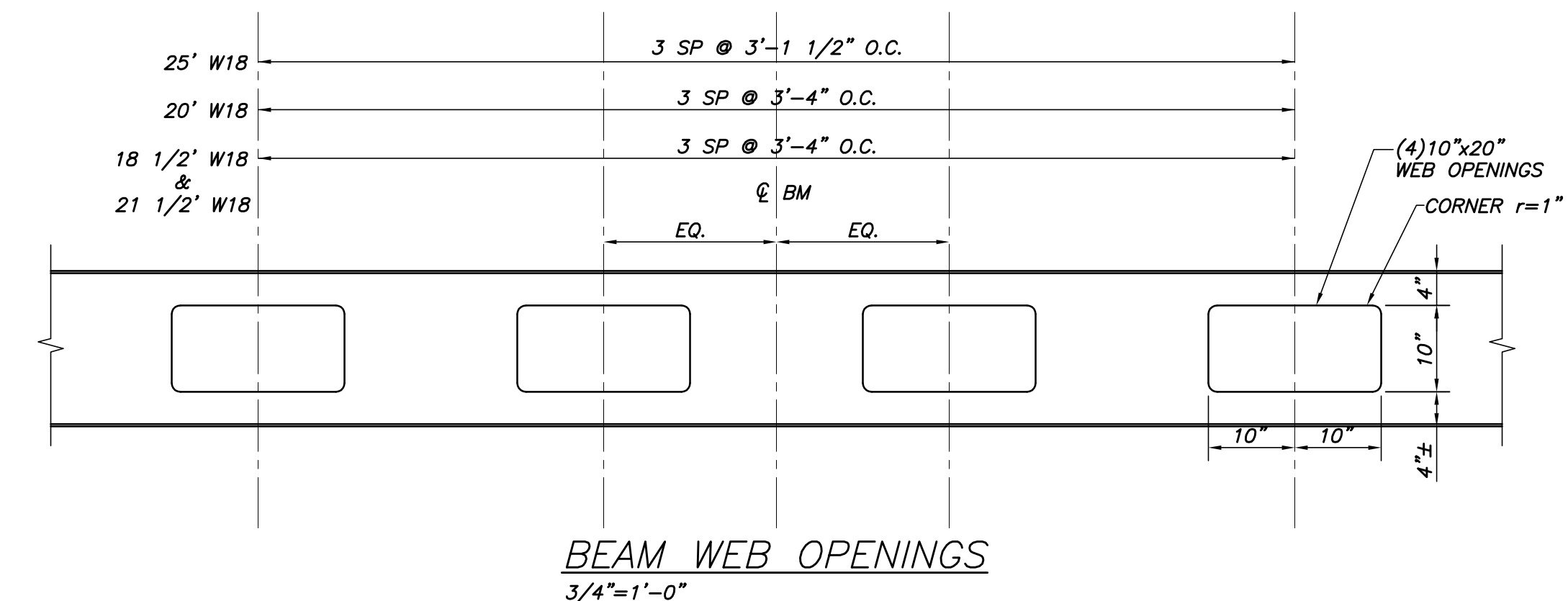
TYP BRACE TO COL.
 3/4"=1'-0"



SECTION 6
 3/4"=1'-0"

SECTION 7
 3/4"=1'-0"

FOR BUILDING PERMIT
 PRELIMINARY 08-17-11
 THESE DWGS ARE NOT COMPLETE.
 DESIGN IS STILL IN PROGRESS.
 CONTRACTOR SHALL CARRY
 APPROPRIATE CONTINGENCY.



BEAM WEB OPENINGS
 3/4"=1'-0"