

© 2011 TFH ARCHITECTS

EnviroLogix
 RIVERSIDE CAMPUS
 530 - DNA EXPANSION
 PORTLAND, MAINE

TFH ARCHITECTS
 80 MIDDLE STREET
 PORTLAND MAINE 04101
 TELEPHONE 207 775 6141
 ARCHITECTURE PLANNING

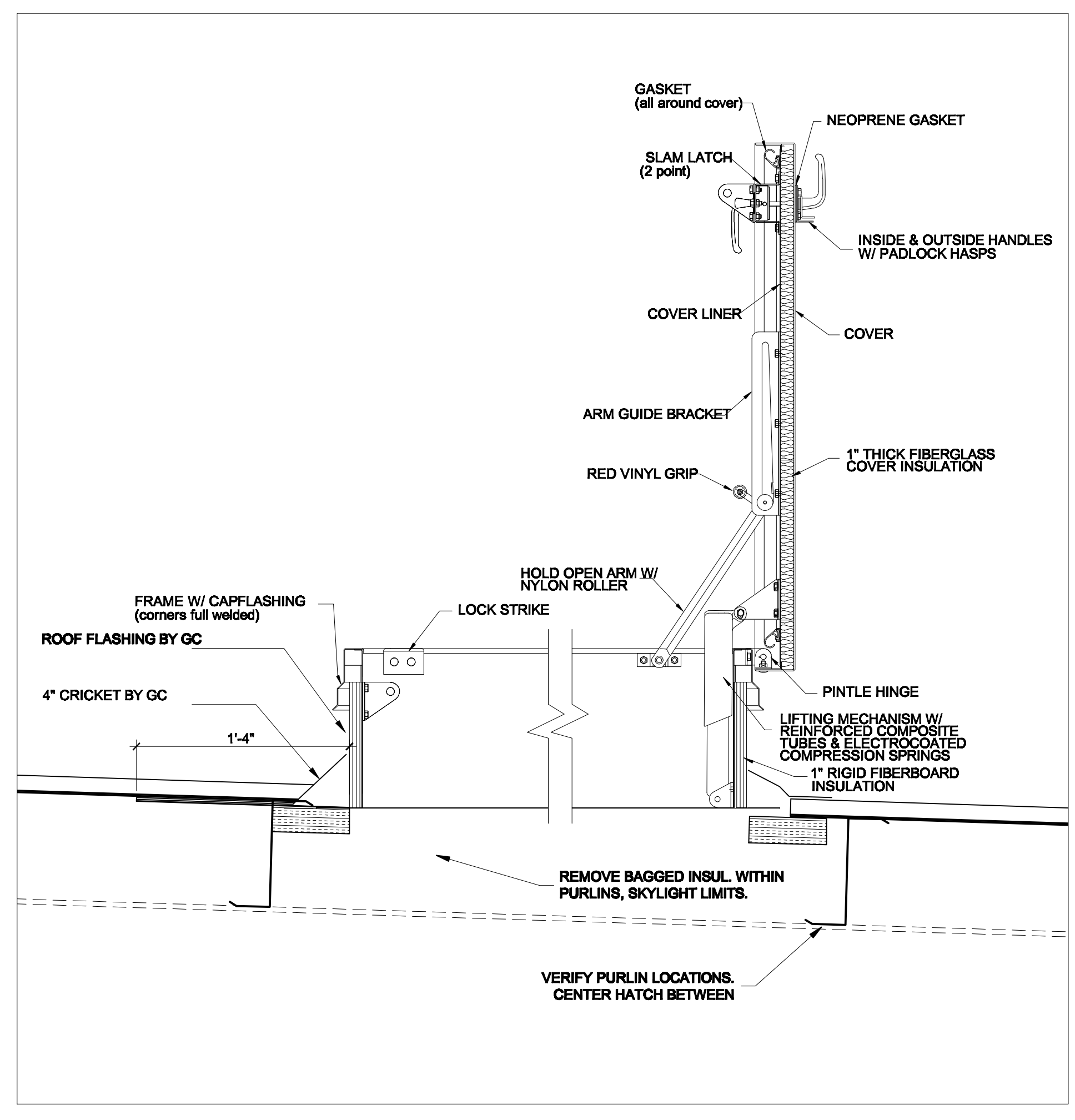
CONSULTANTS:
STRUCTURAL:
 Baskin Structural Engineers, Inc.
 75 Oak Street
 Portland, ME 04101-4450
 207-633-8518
MECHANICAL:
 Integrated Energy Systems, PLLC
 115 S. Main Street
 Portland, ME 04101
 207-781-4283
ELECTRICAL:
 BASKIN ENGINEERING
 75 Oak Street
 Portland, ME 04101
 207-633-8518

REVISIONS:

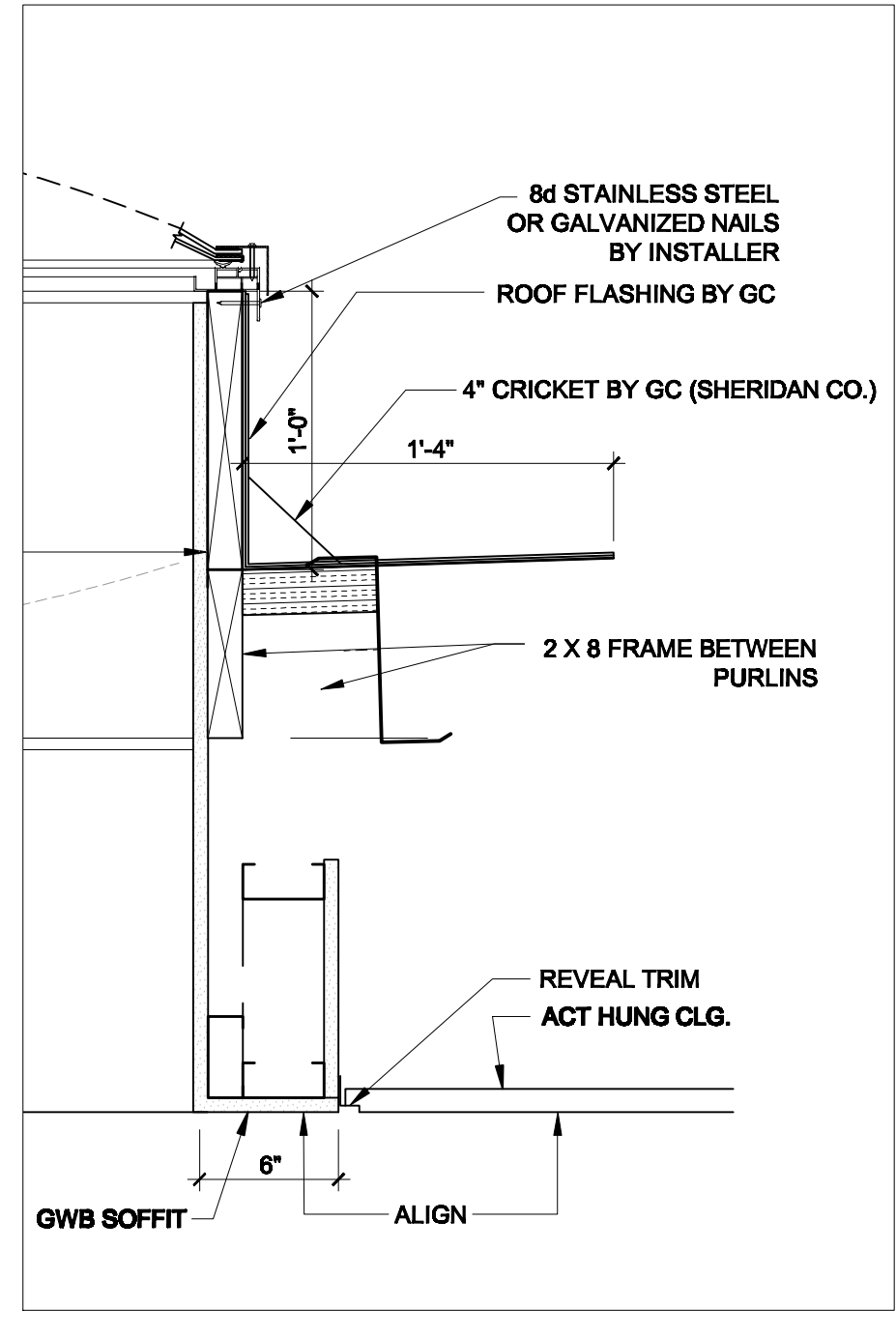
DATE: 8/17/2011
 PROJECT No. 1026A
 DRAWN BY: DAM,RJS,DSM
 CHECKED BY: TST
 SCALE: AS NOTED

SHEET TITLE:
 EXTERIOR ELEVATIONS

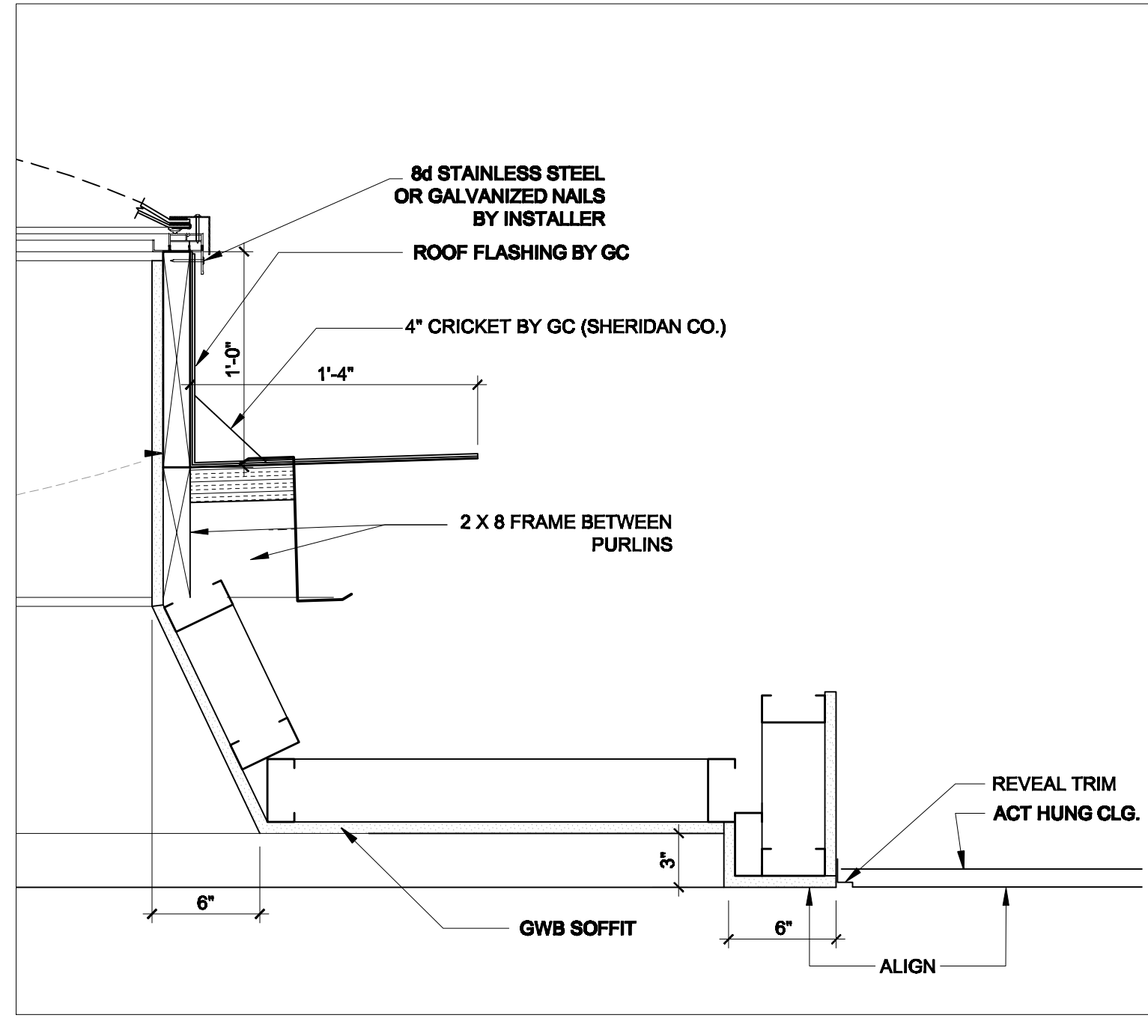
A2.0



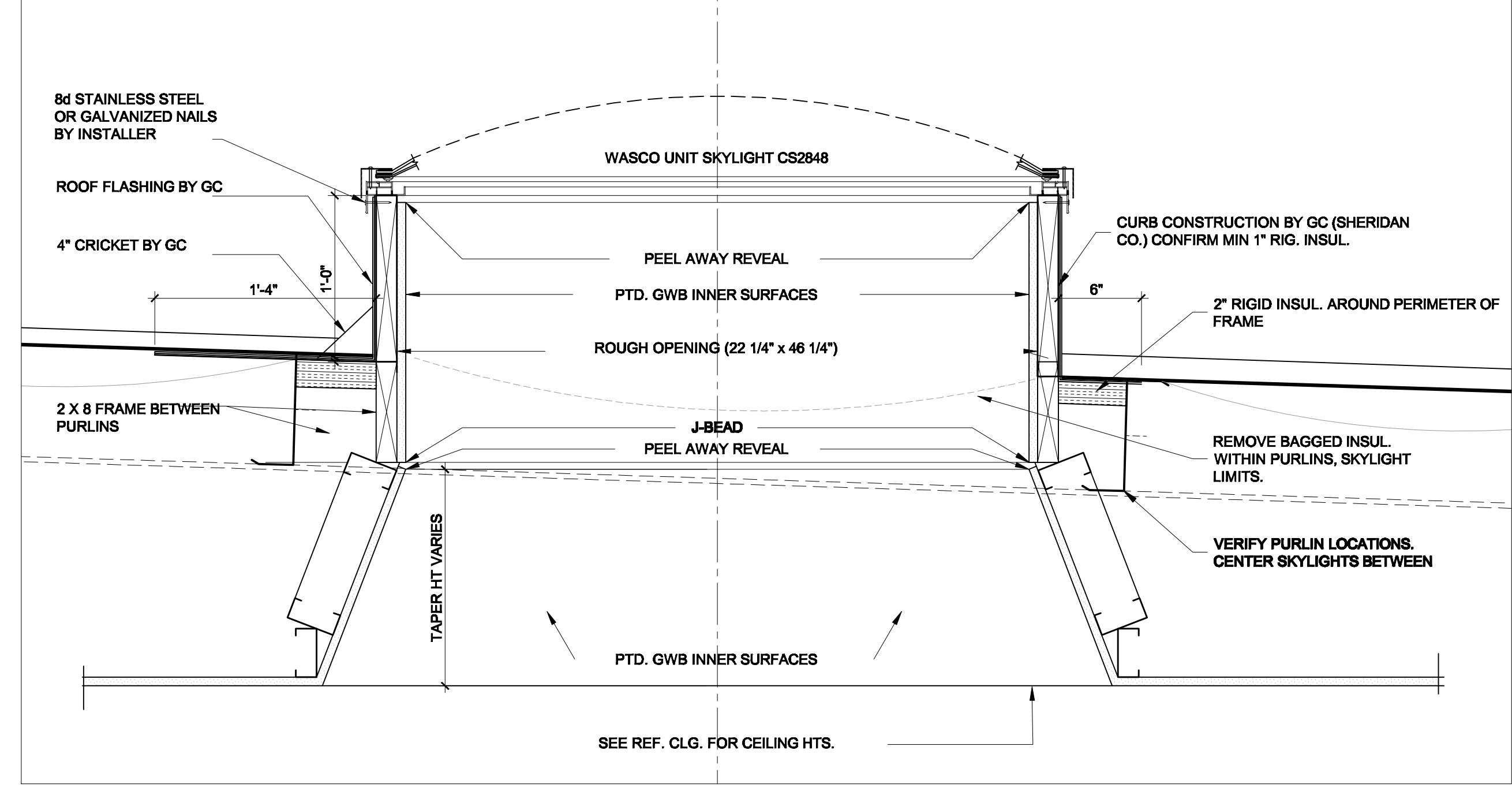
5 SECTION DETAIL AT ROOF HATCH
1/2" = 1'-0"



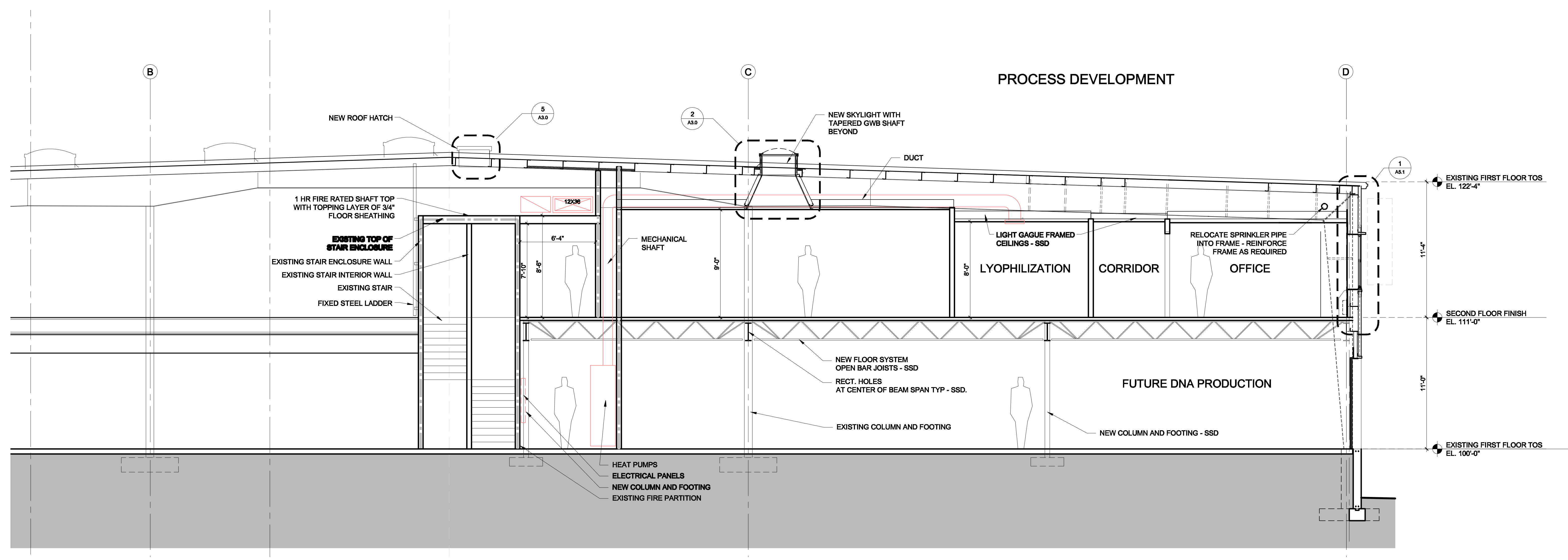
4 SECTION DETAIL AT SKYLIGHT
1/2" = 1'-0"



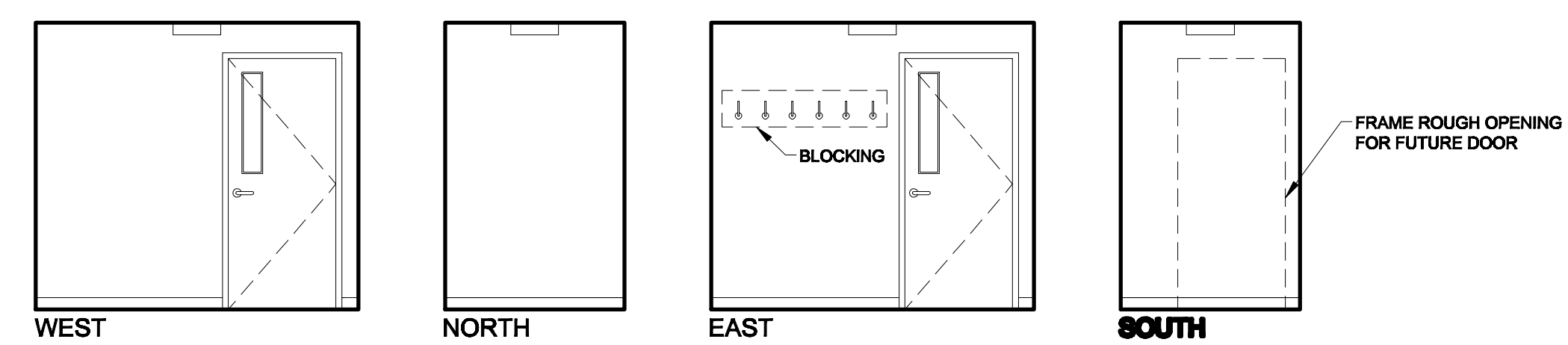
3 SECTION DETAIL AT SKYLIGHT
1/2" = 1'-0"



2 SECTION DETAIL AT SKYLIGHT
1/2" = 1'-0"



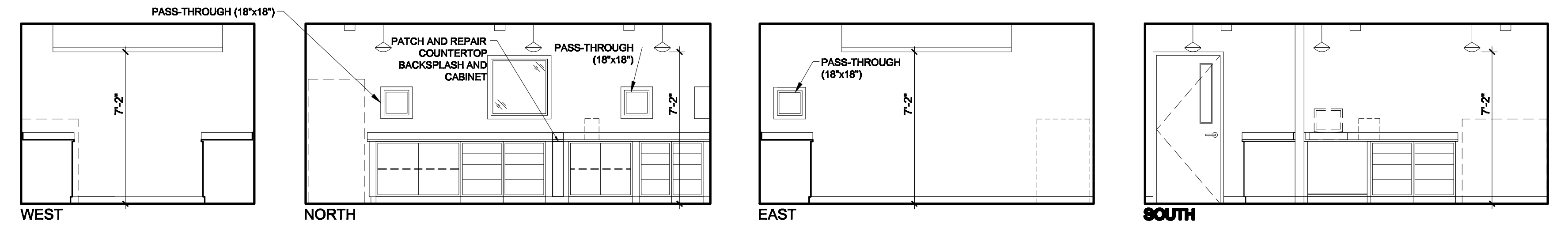
1 BUILDING SECTION
1/4" = 1'-0"



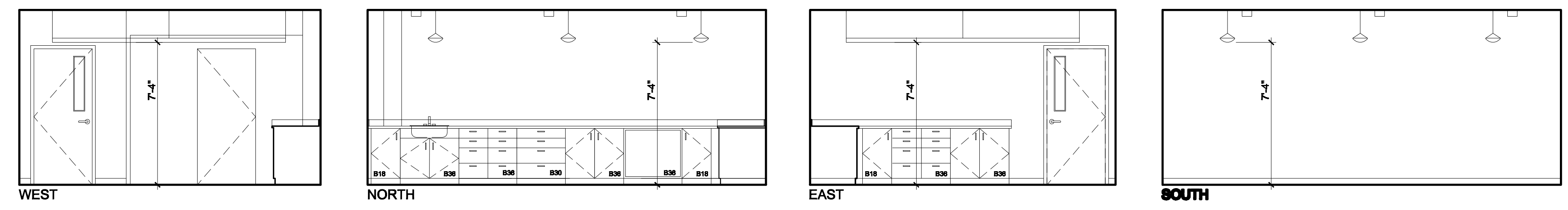
1 202 - GOWN
WF = 14'



2 203 - EXPANDED REAGENT PREP / MASTER MIX
WF = 14'



3 204 - EXPANDED AMP II
WF = 14'

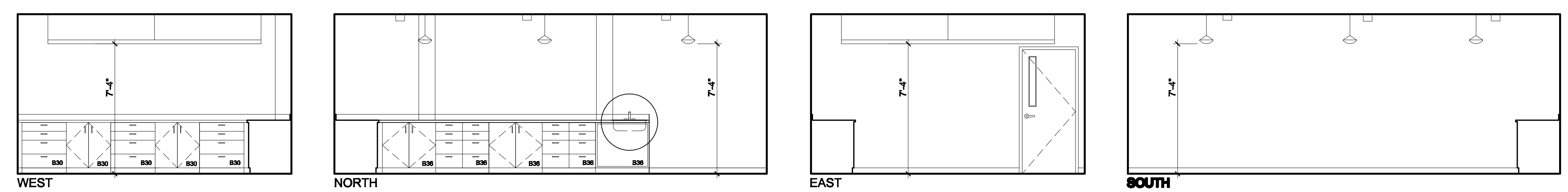


4 207 - BSL-2 SAMPLE PREP (DNA)
WF = 14'

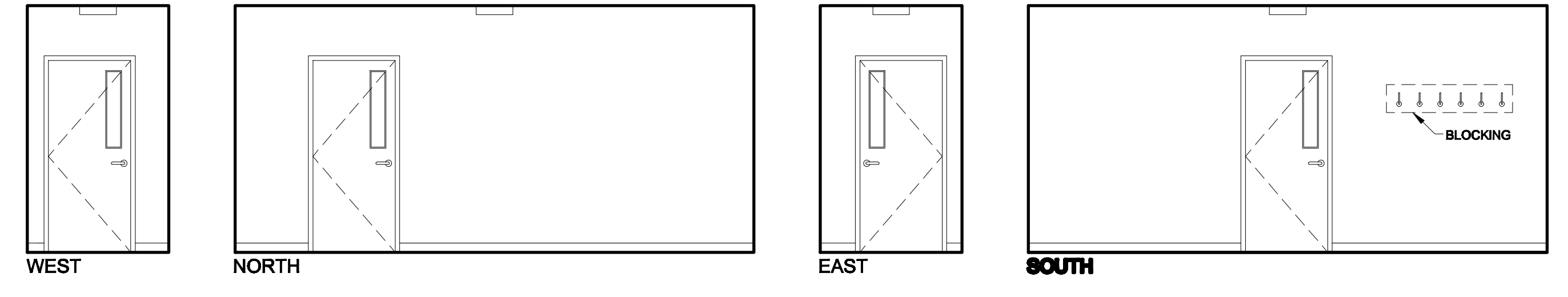


5 215 - DNA SEQUENCING
WF = 14'

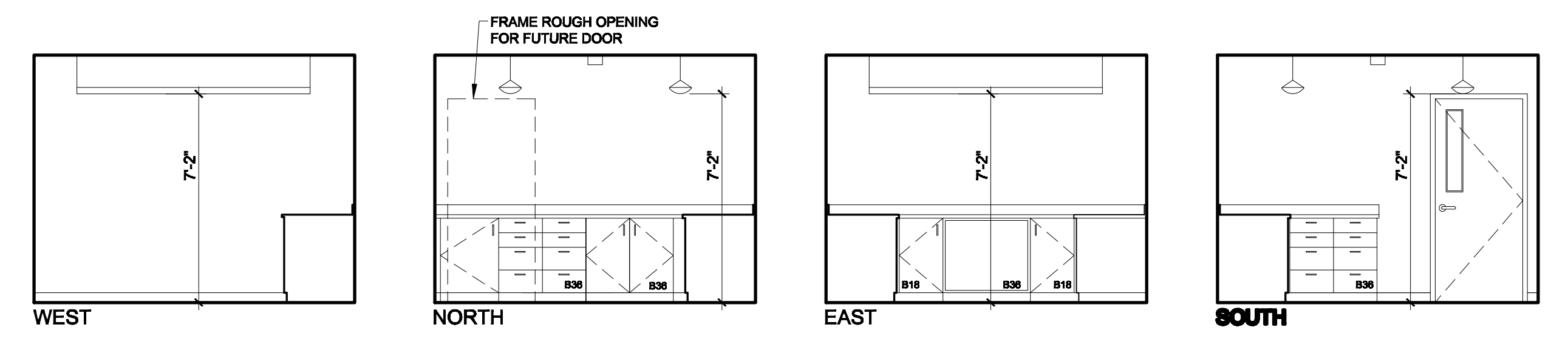
6 222 - STANDARDS ROOM
WF = 14'



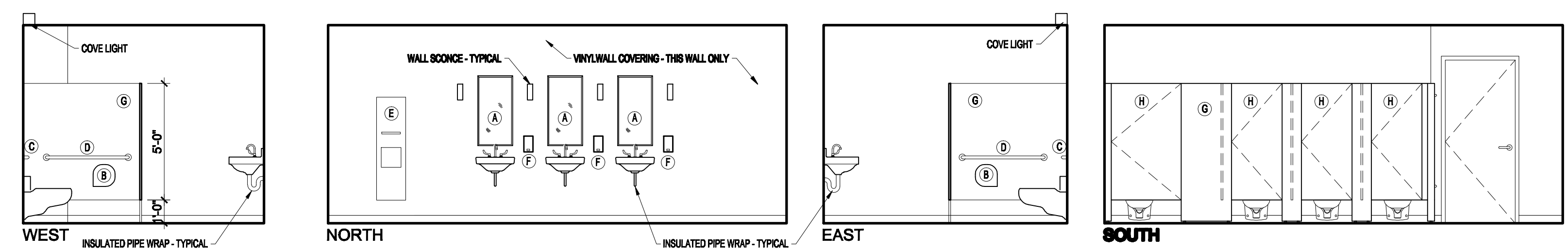
7 223 - BSL-2 SAMPLE PREP (RNA)
WF = 14'



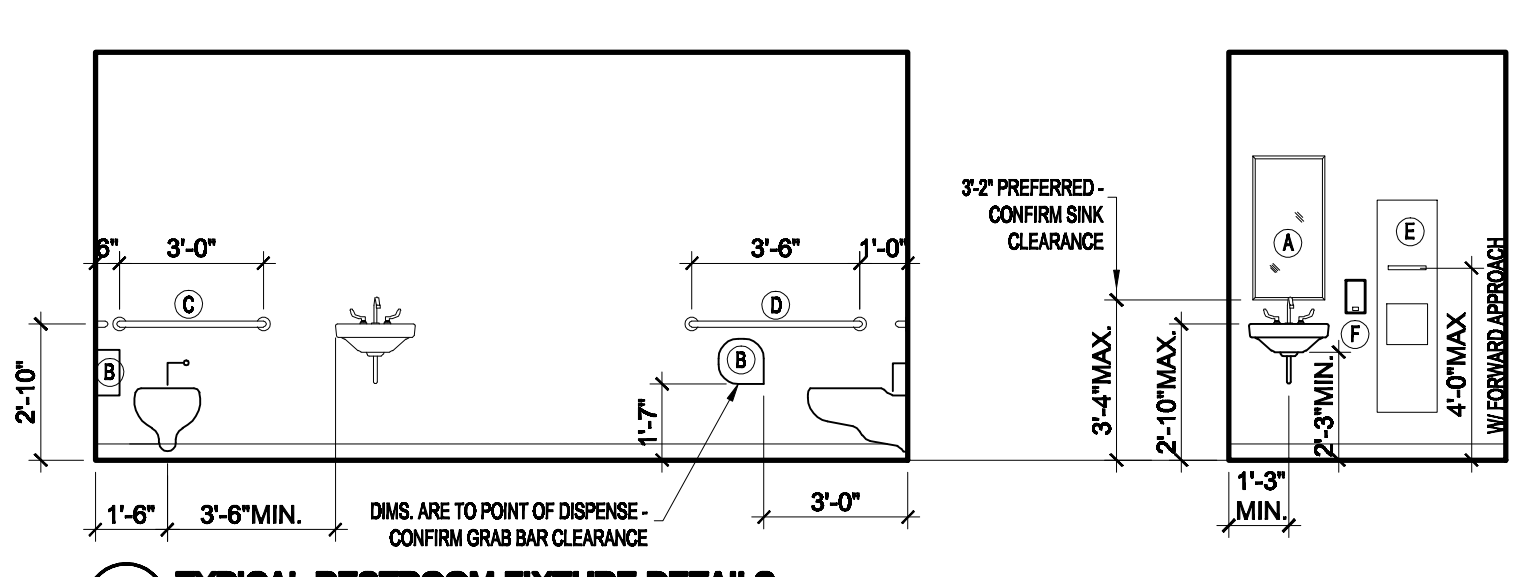
8 224 - GOWN
WF = 14'



9 225 - BEACON PRODUCT
WF = 14'



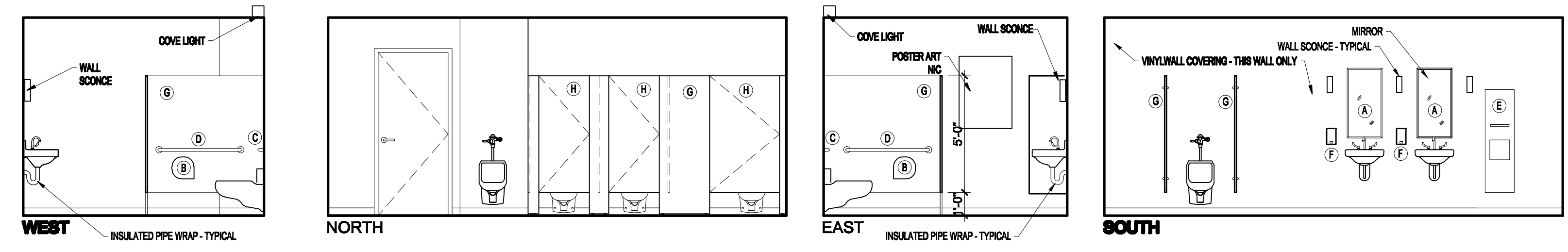
10 227 - WOMEN'S RESTROOM
WF = 14'



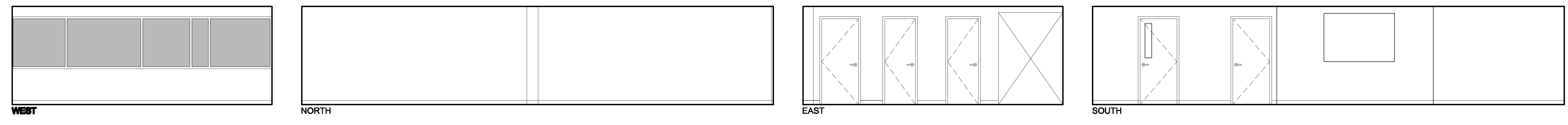
11 TYPICAL RESTROOM FIXTURE DETAILS
WF = 14'

NOTES
1. WHEN GIVEN A RANGE OF DIMENSIONS FOR PLACEMENT, PLACE ALL FIXTURES OF SAME TYPE AT THE SAME ELEVATION THROUGHOUT, UNLESS OTHERWISE DIRECTED.
2. MIRRORS TO BE CENTERED OVER SINKS, SEAL LOWER EDGE.
3. PROVIDE APPROPRIATE BLOCKING IN WALLS BEHIND ALL FIXTURES, PARTITIONS, AND ACCESSORIES.
4. FOR CONTROLS OR OPERATING MECHANISMS PROVIDE CLEAR FLOOR SPACE WITH SIDE OR PARALLEL APPROACH COMPLIANT

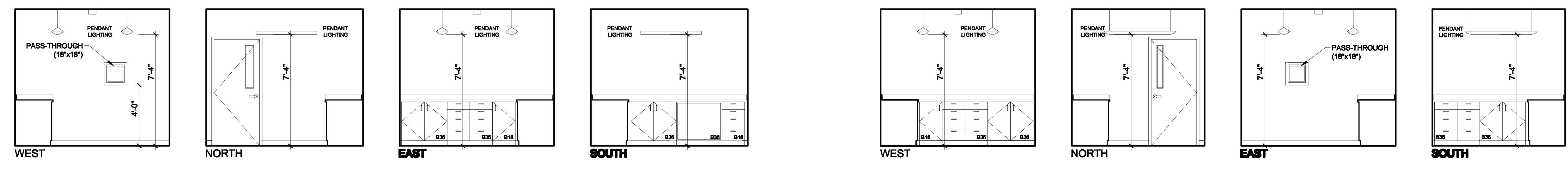
TOILET ACCESSORIES KEY
A MIRROR 18" x 18" NOM.
B TOILET PAPER DISPENSER
C GRAB BAR 36" x 1 1/2" TO 1 1/2" O.D.
D GRAB BAR 42" x 1 1/2" TO 1 1/2" O.D.
E RECESSED PAPER TOWEL DISPENSER AND WASTE RECEPTACLE
F LIQUID SOAP DISPENSER
G TOILET PARTITION SYSTEM
H COAT HOOK LOCATED ON BACK SIDE OF EACH STALL DOOR



1 **228 - MEN'S RESTROOM**
14'0" x 14'0"

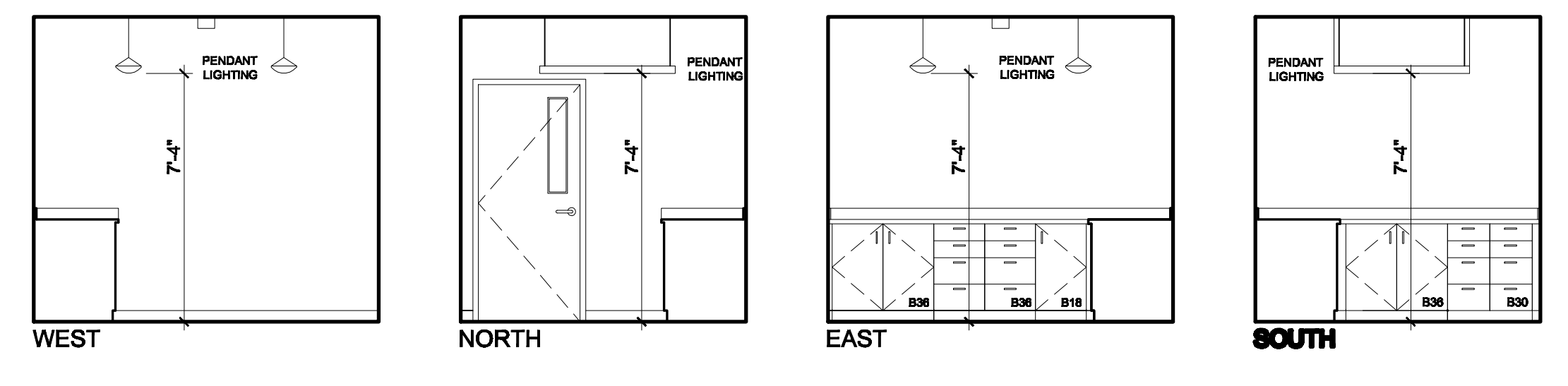


2 **229 - OPEN OFFICE**
14'0" x 14'0"

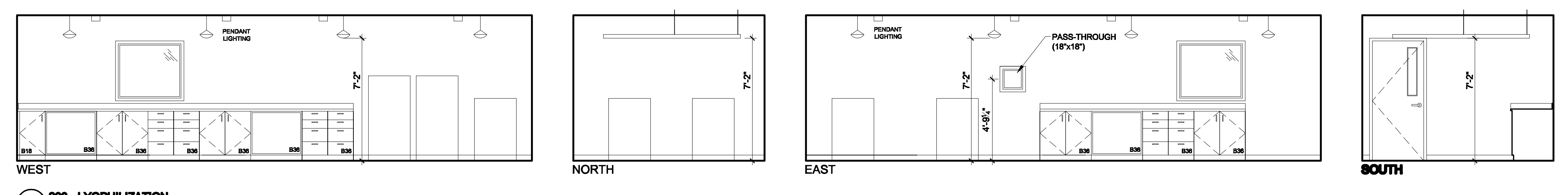


3 **230 - VS3**
14'0" x 14'0"

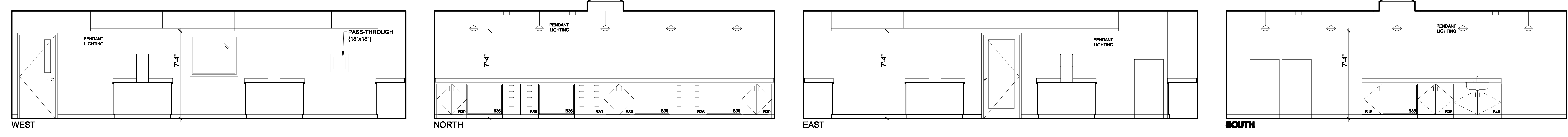
4 **231 - VS2**
14'0" x 14'0"



5 **232 - VS1**
14'0" x 14'0"



6 **233 - LYOPHILIZATION**
14'0" x 14'0"

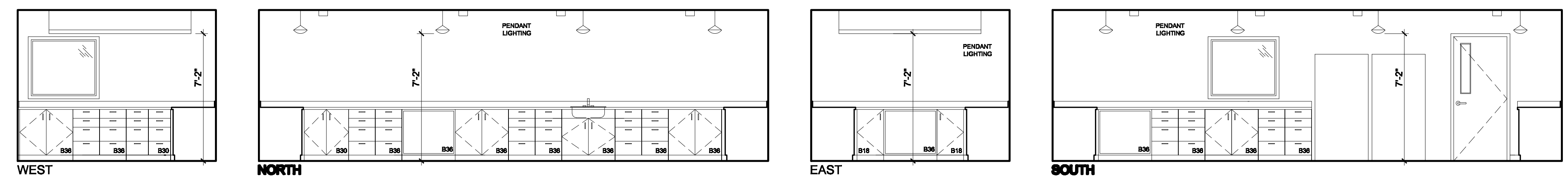


7 **234 - REAGENT PREP / CAP AND FILL**
14'0" x 14'0"

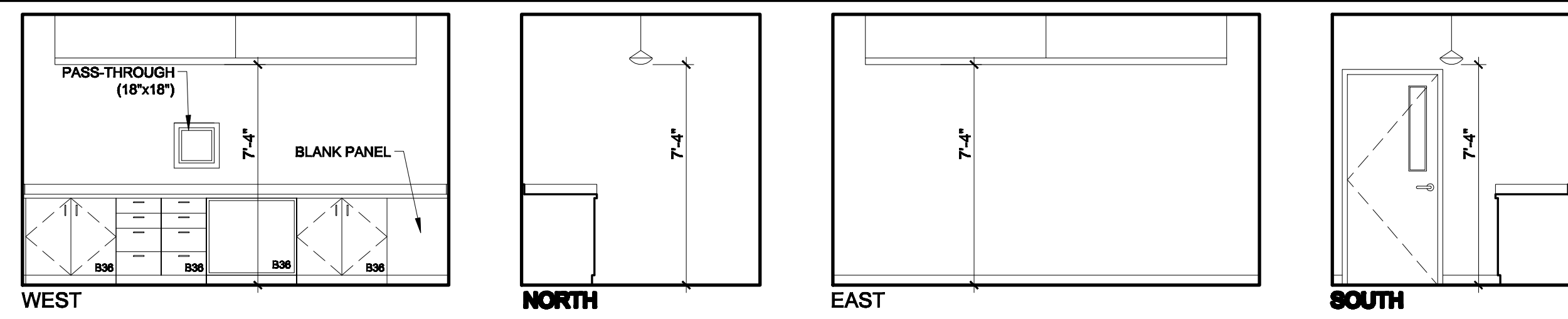


8 **235 - VESTIBULE**
14'0" x 14'0"

9 **236 - GOWN**
14'0" x 14'0"



10 **237 - LFD - HUMID**
14'0" x 14'0"



1 239 - PACKAGE
 WP = TP

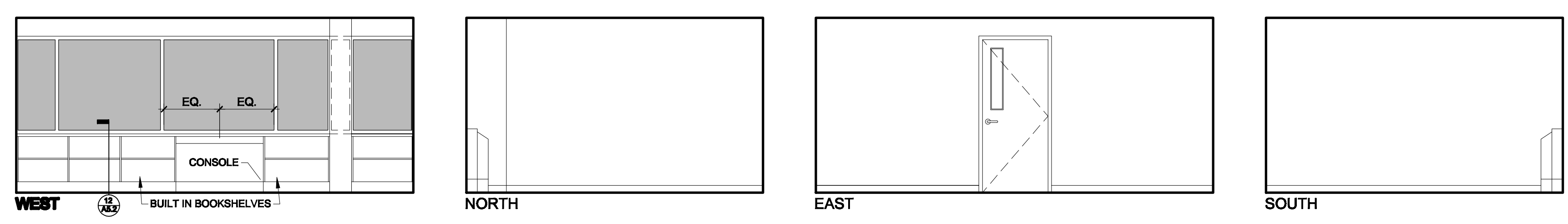


2 240 - LFD - DRY
 WP = TP



3 241 - VESTIBULE
 WP = TP

4 242 - GOWN
 WP = TP

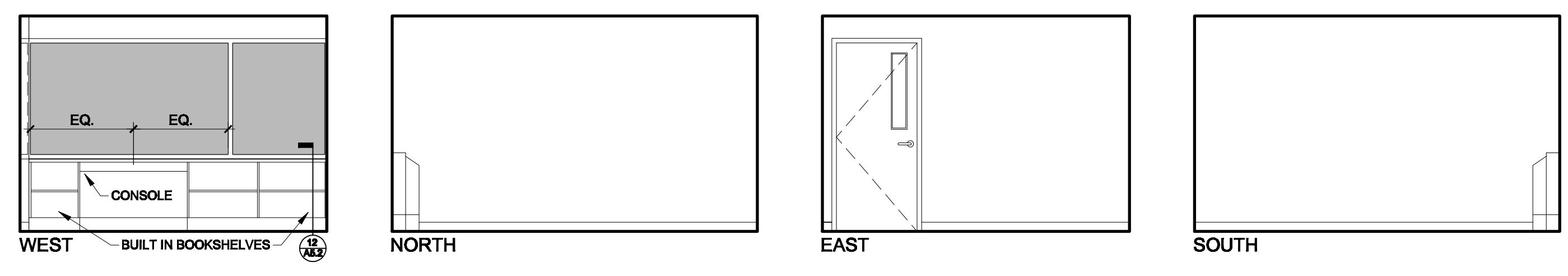


5 244 - OFFICE 1
 WP = TP

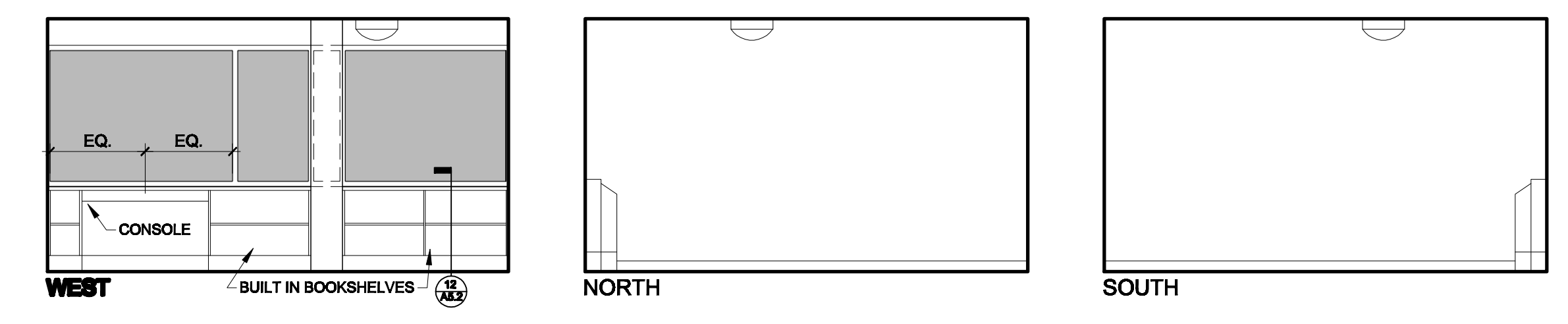


6 245 - OFFICE 2
 WP = TP

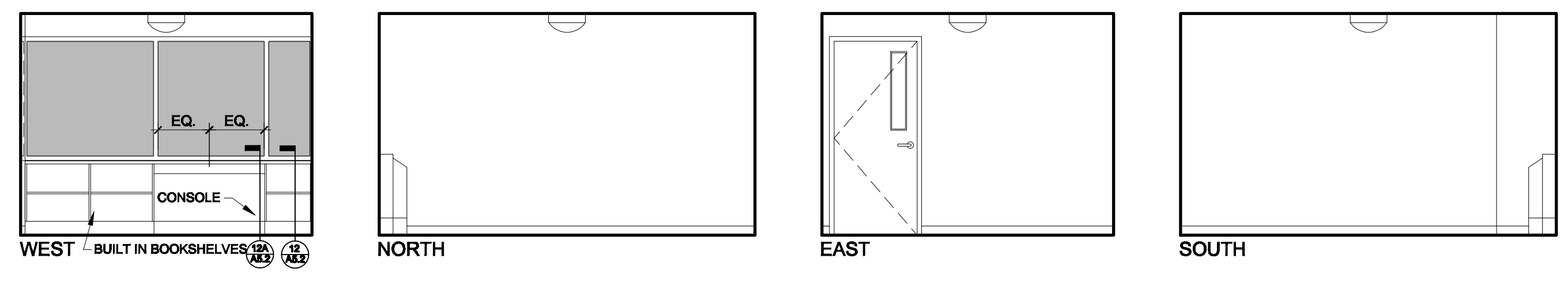
7 246 - OFFICE 3
 WP = TP



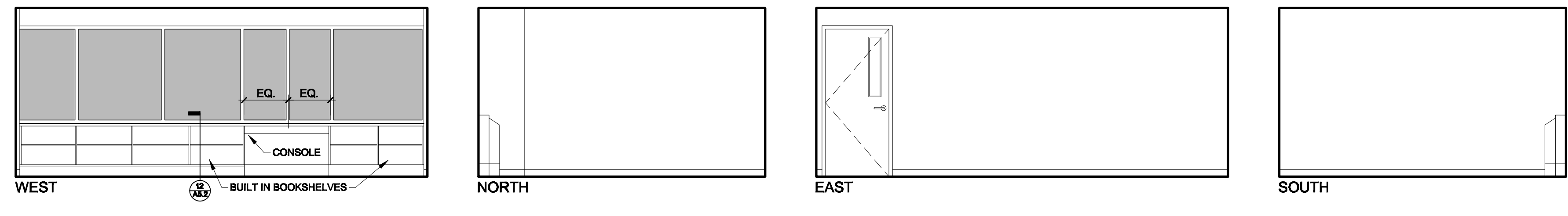
8 247 - OFFICE 4
 WP = TP



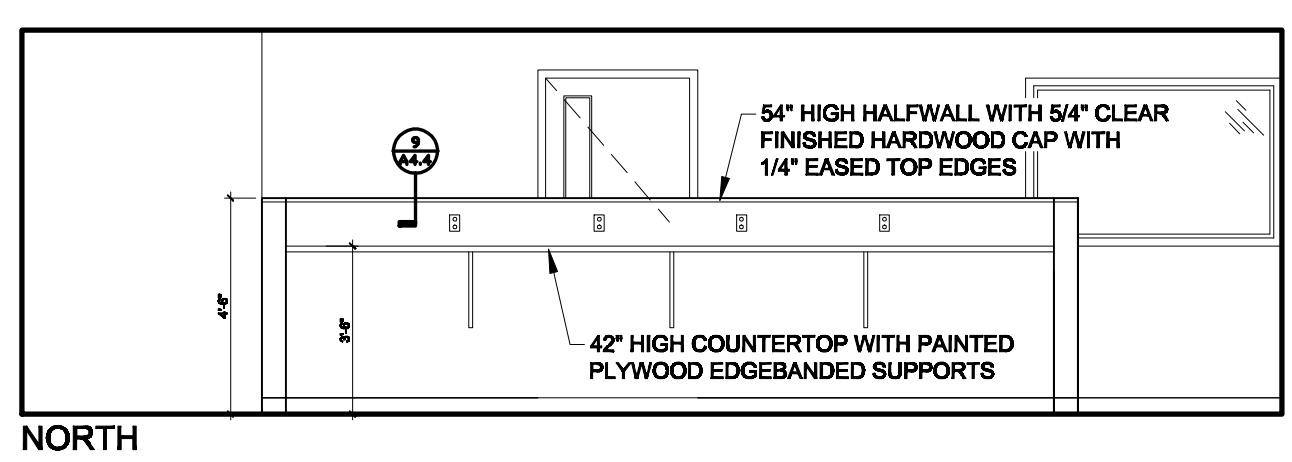
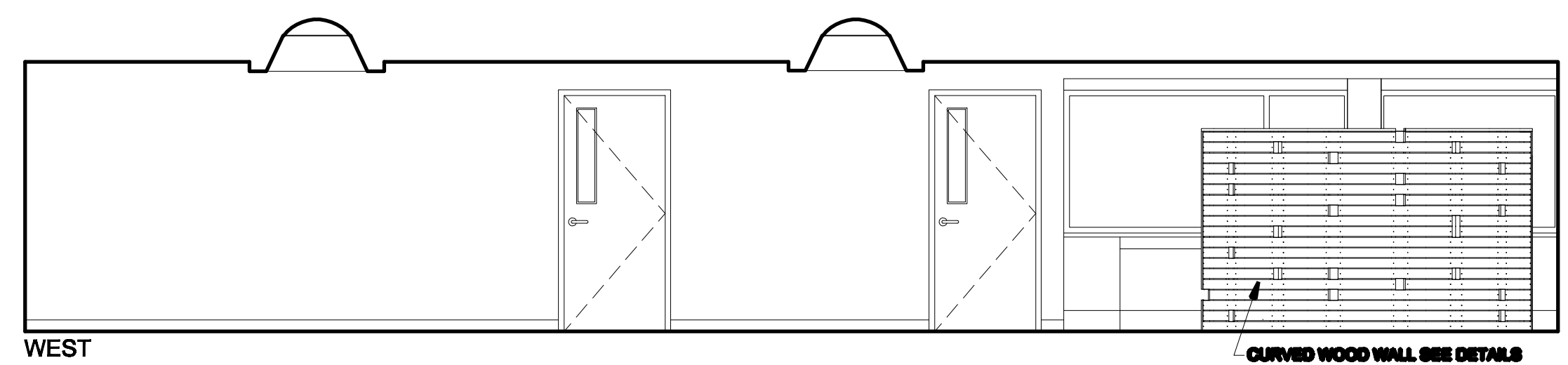
9 250 - OPEN MEETING
 WP = TP



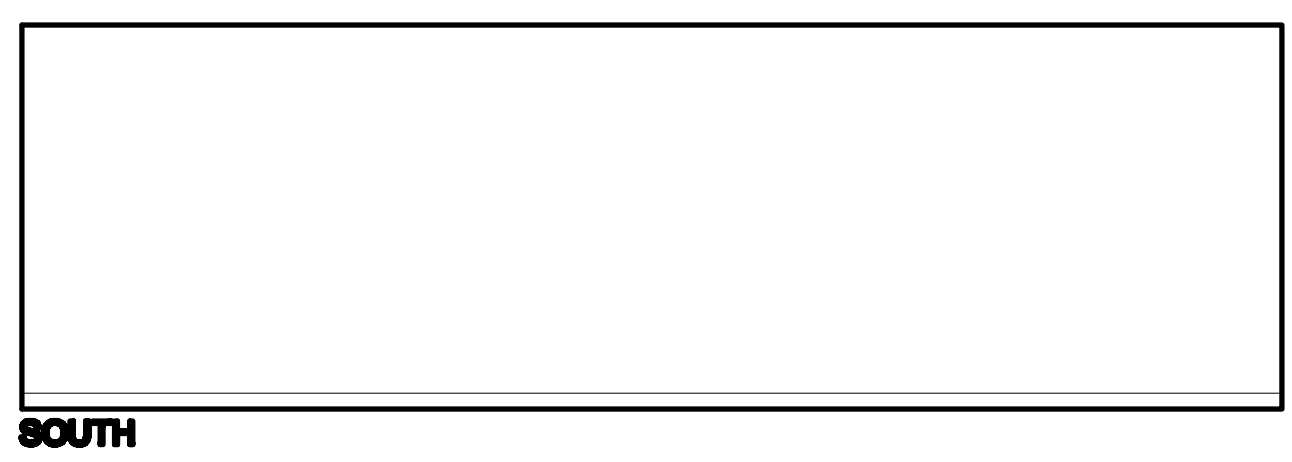
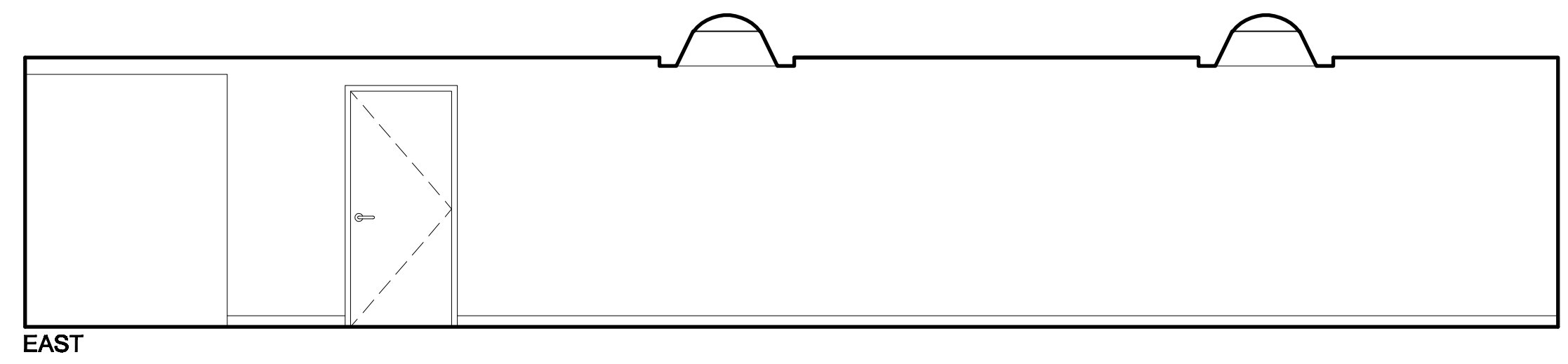
10 251 - CLOSED MEETING
 WP = TP



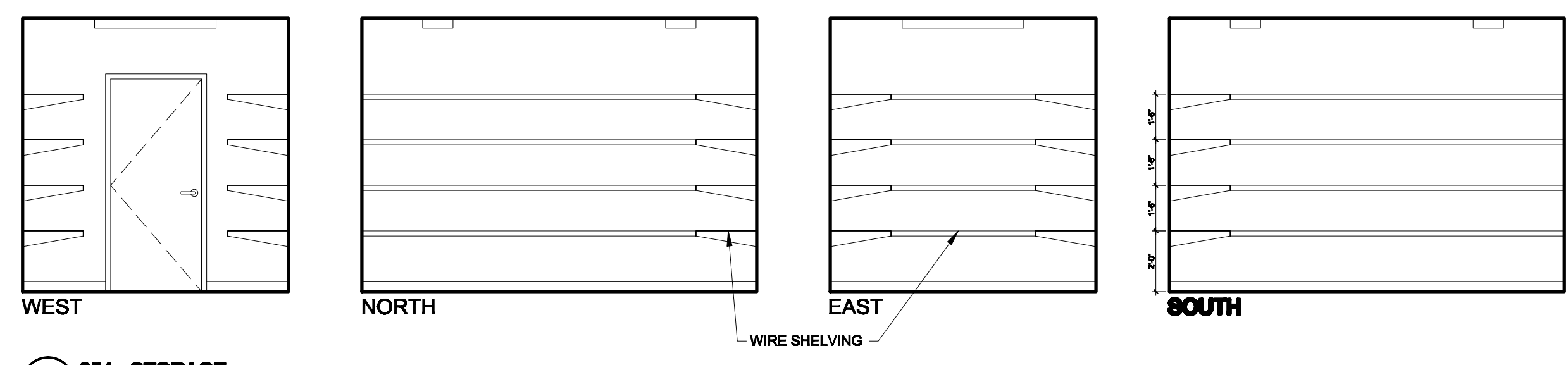
11 252 - CLOSED MEETING
 WP = TP



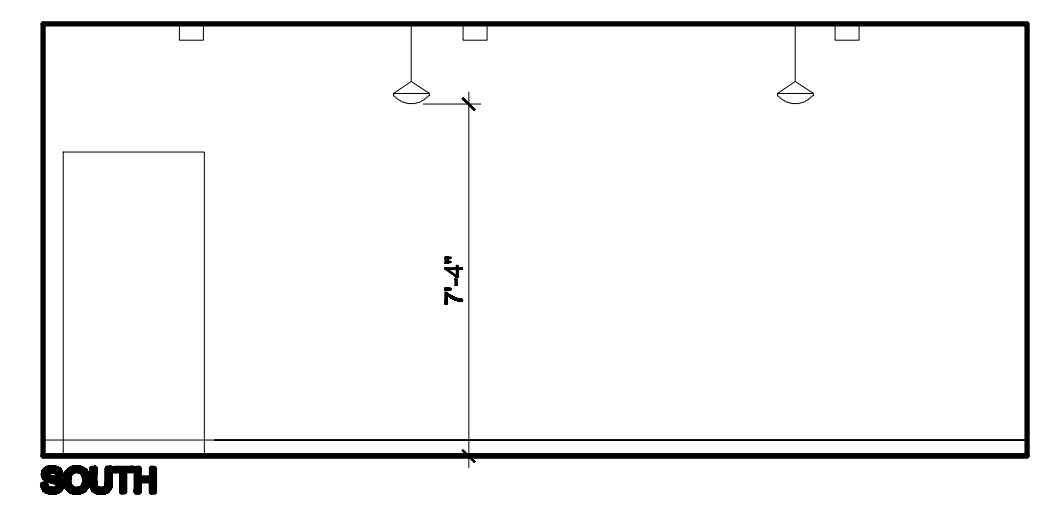
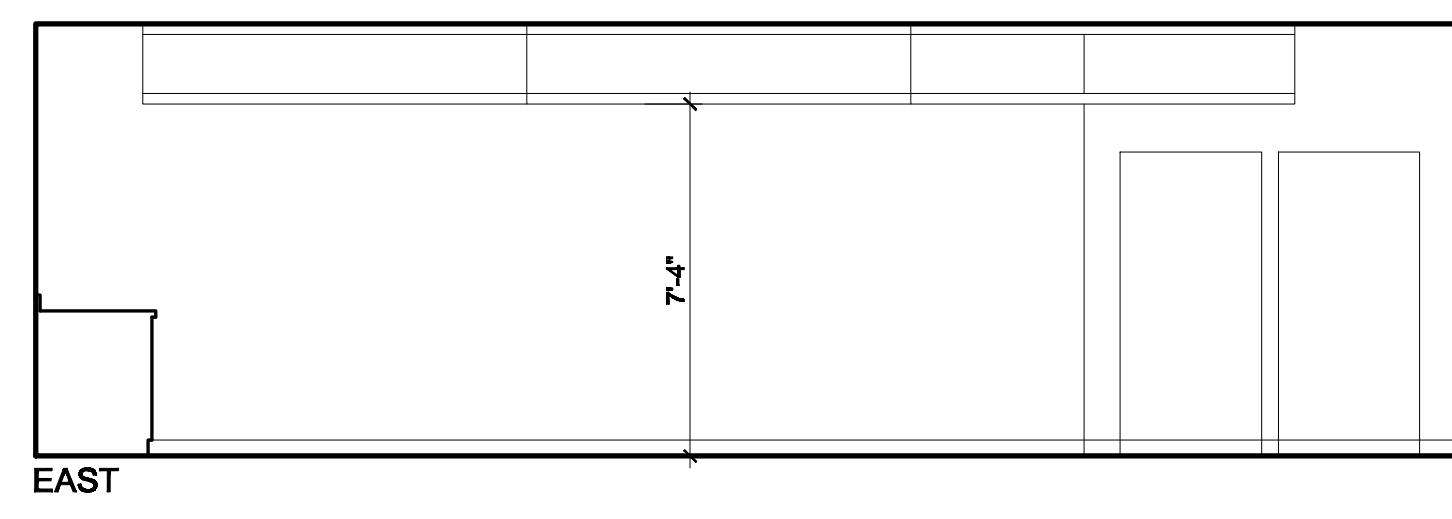
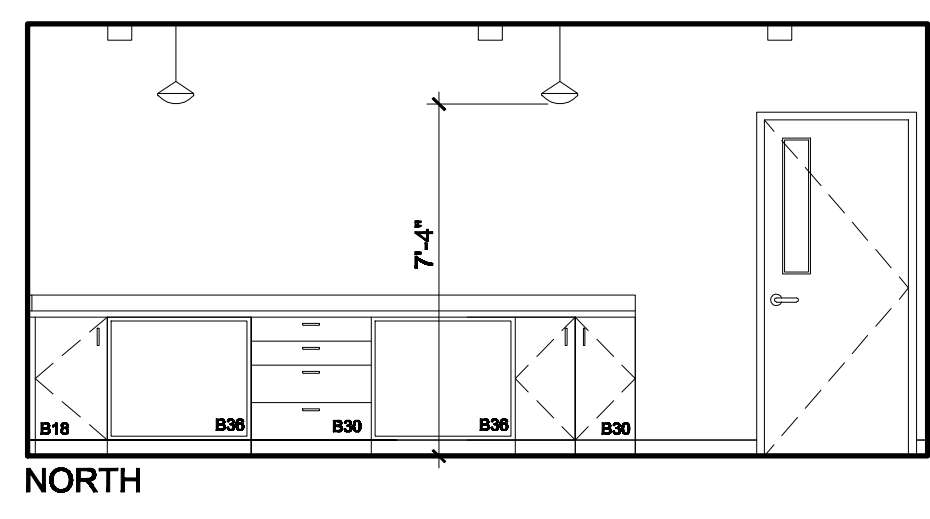
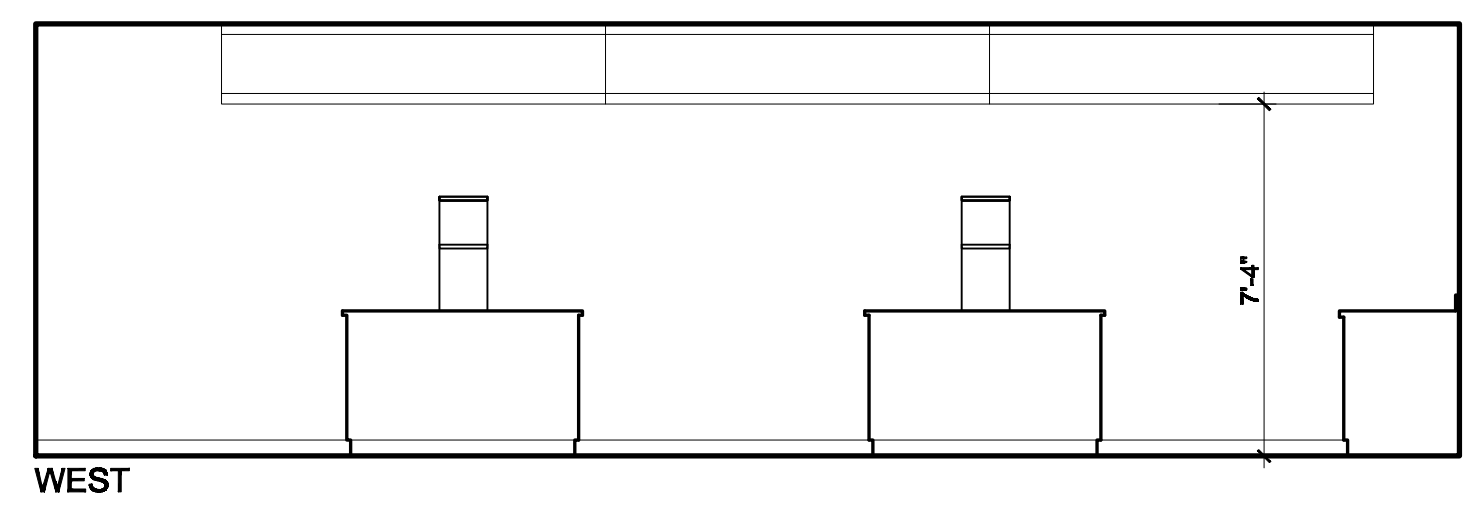
1 253 - OPEN OFFICE
 1/4" = 1'-0"



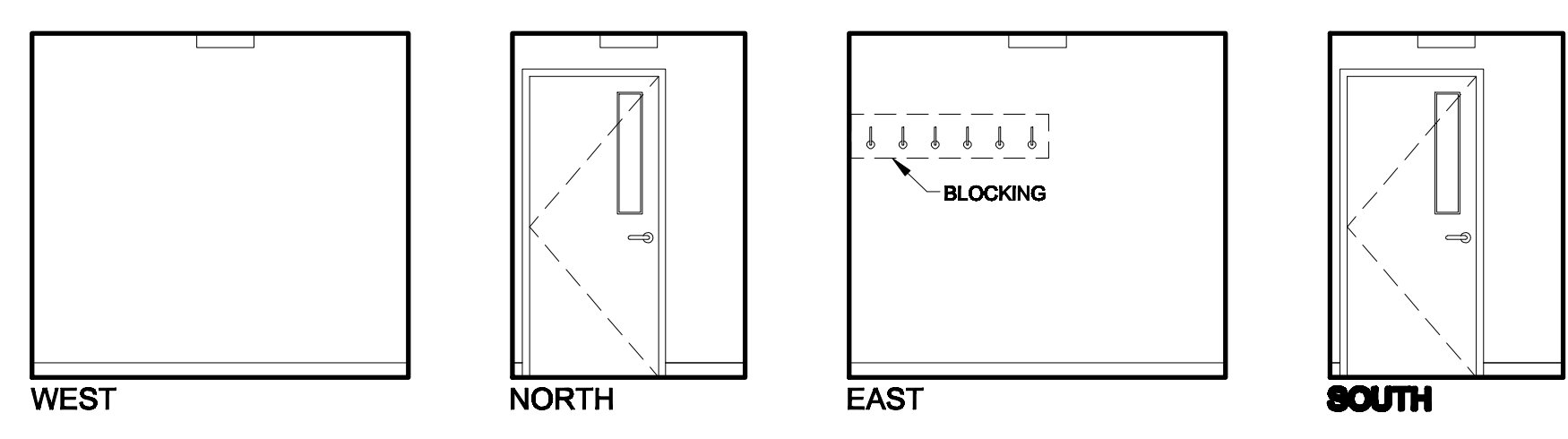
2 253 - OPEN OFFICE
 1/4" = 1'-0"



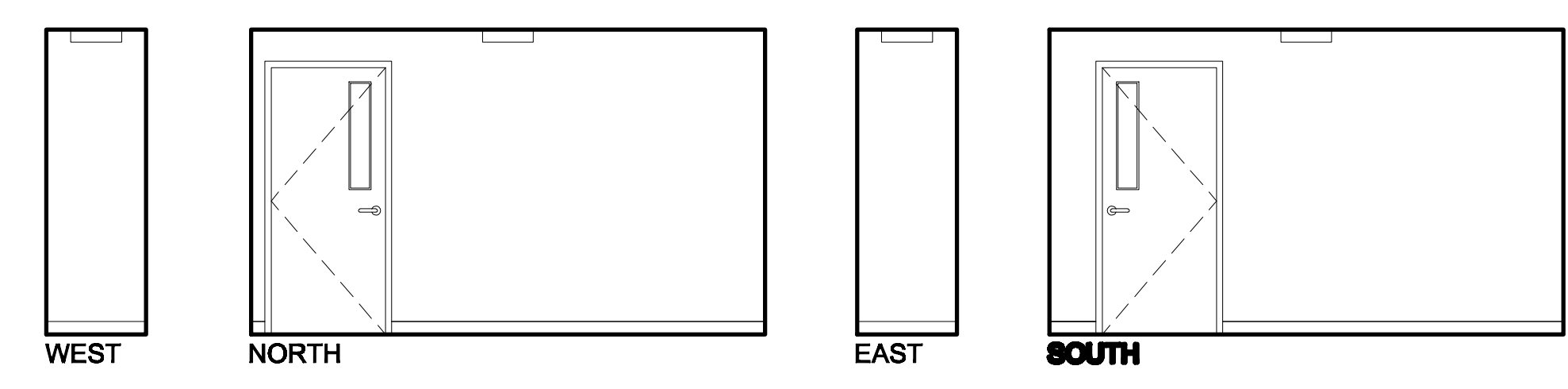
3 254 - STORAGE
 1/4" = 1'-0"



4 255 - TECH TRANSFER
 1/4" = 1'-0"



5 256 - GOWN
 1/4" = 1'-0"



6 253 - HALL
 1/4" = 1'-0"

EnviroLogix
 RIVERSIDE CAMPUS
 530 - DNA EXPANSION
 PORTLAND, MAINE

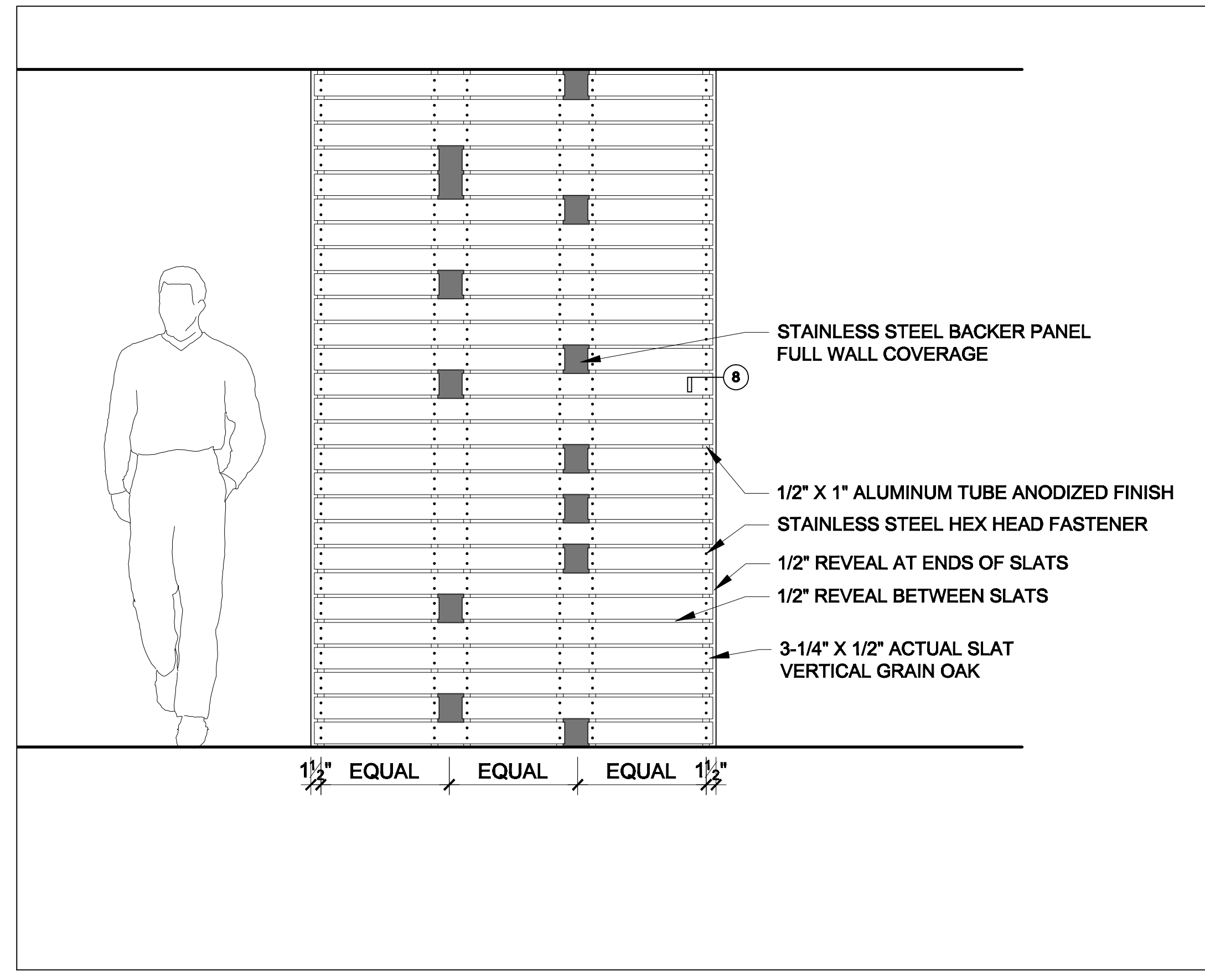
TRH ARCHITECTS
 80 MIDDLE STREET
 PORTLAND MAINE 04101
 TELEPHONE 207 776 6141
 ARCHITECTURE PLANNING

CONSULTANTS:
 STRUCTURAL: [unreadable]
 MECHANICAL/ELECTRICAL/PLUMBING: [unreadable]
 INTERIORS: [unreadable]
 ENVIRONMENTAL: [unreadable]
 LIGHTING: [unreadable]
 SOUND: [unreadable]
 SECURITY: [unreadable]
 PROGRAM: [unreadable]

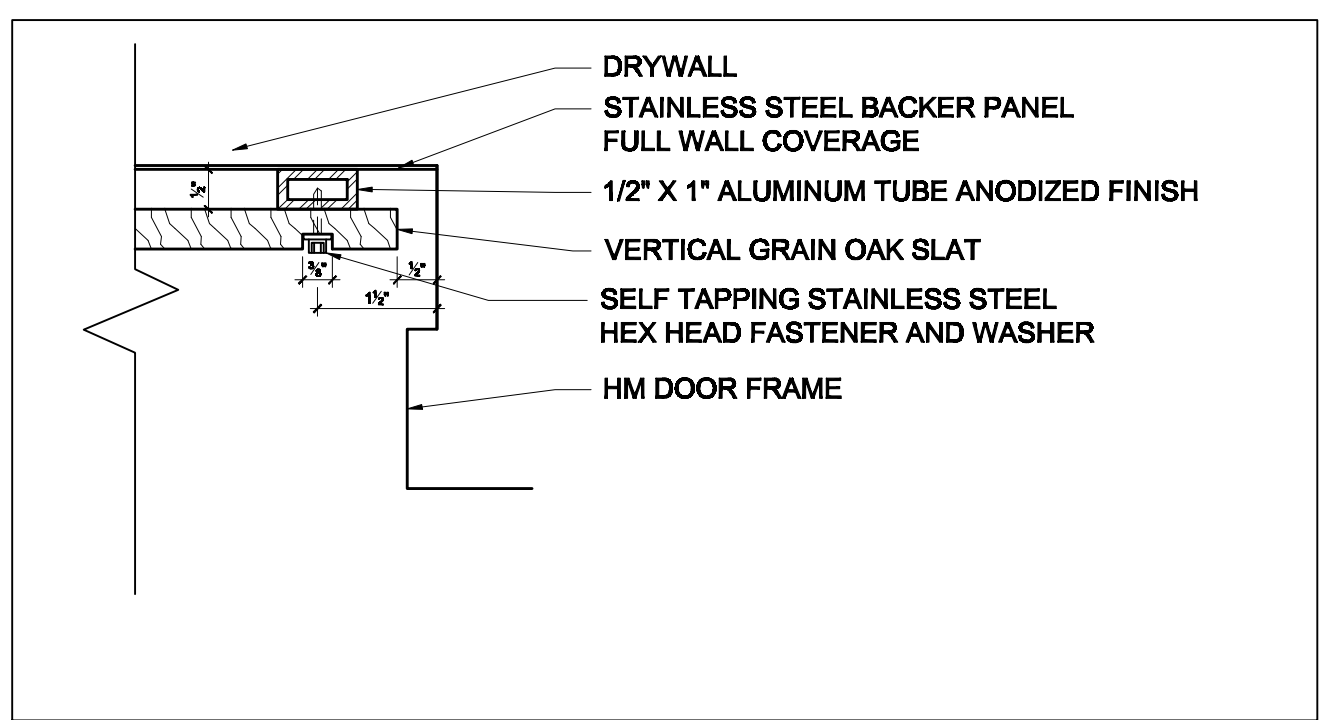
REVISIONS:

DATE: 8/17/11
 PROJECT No. 1028A
 DRAWN BY: DAM/RJS
 CHECKED BY: TST
 SCALE: AS NOTED

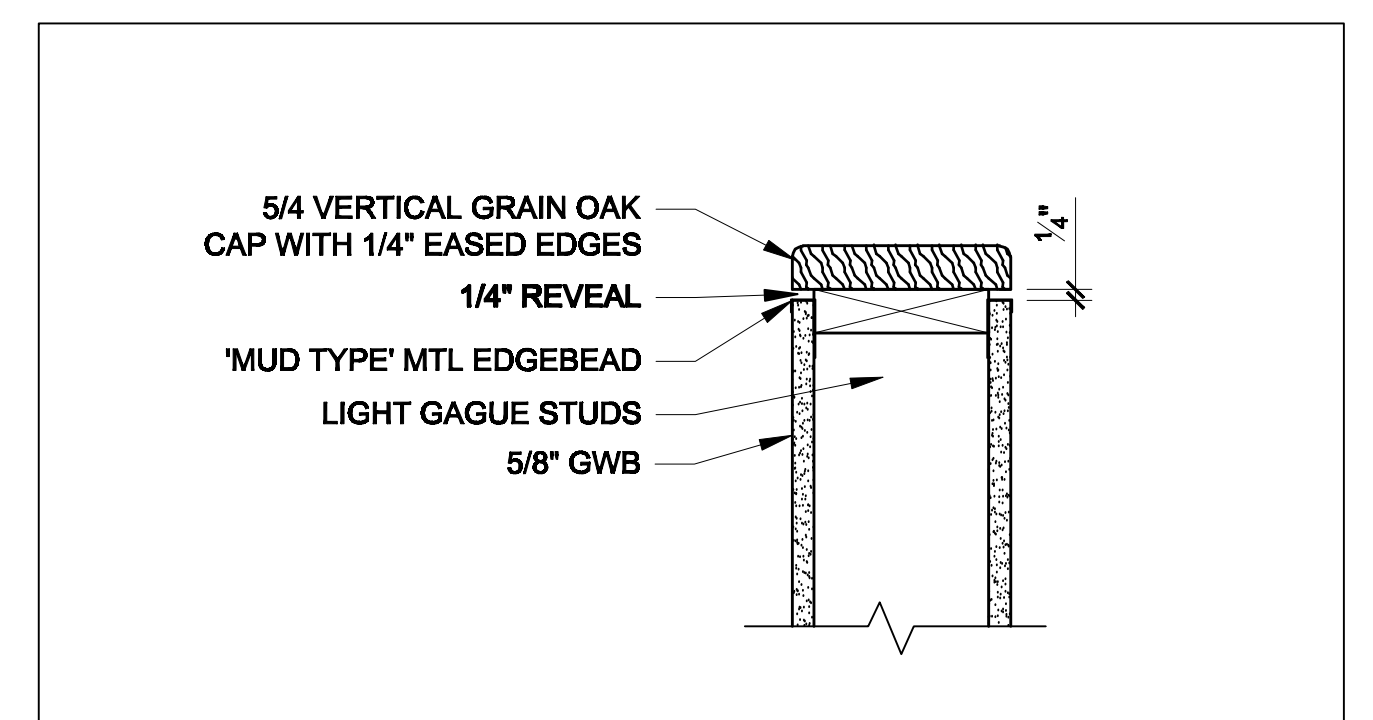
SHEET TITLE:
 INTERIOR
 ELEVATIONS



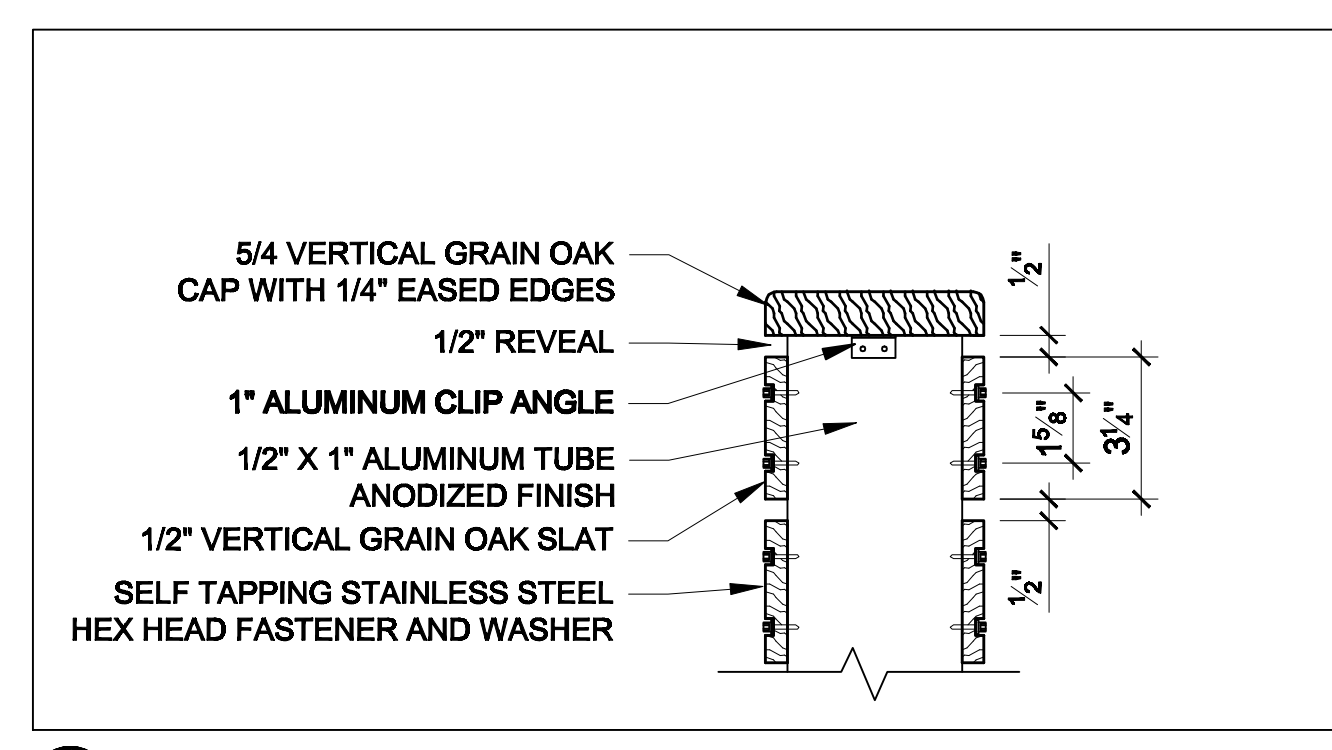
7 WOOD WALL AT RESTROOM ALCOVE
3/8" = 1'-0"



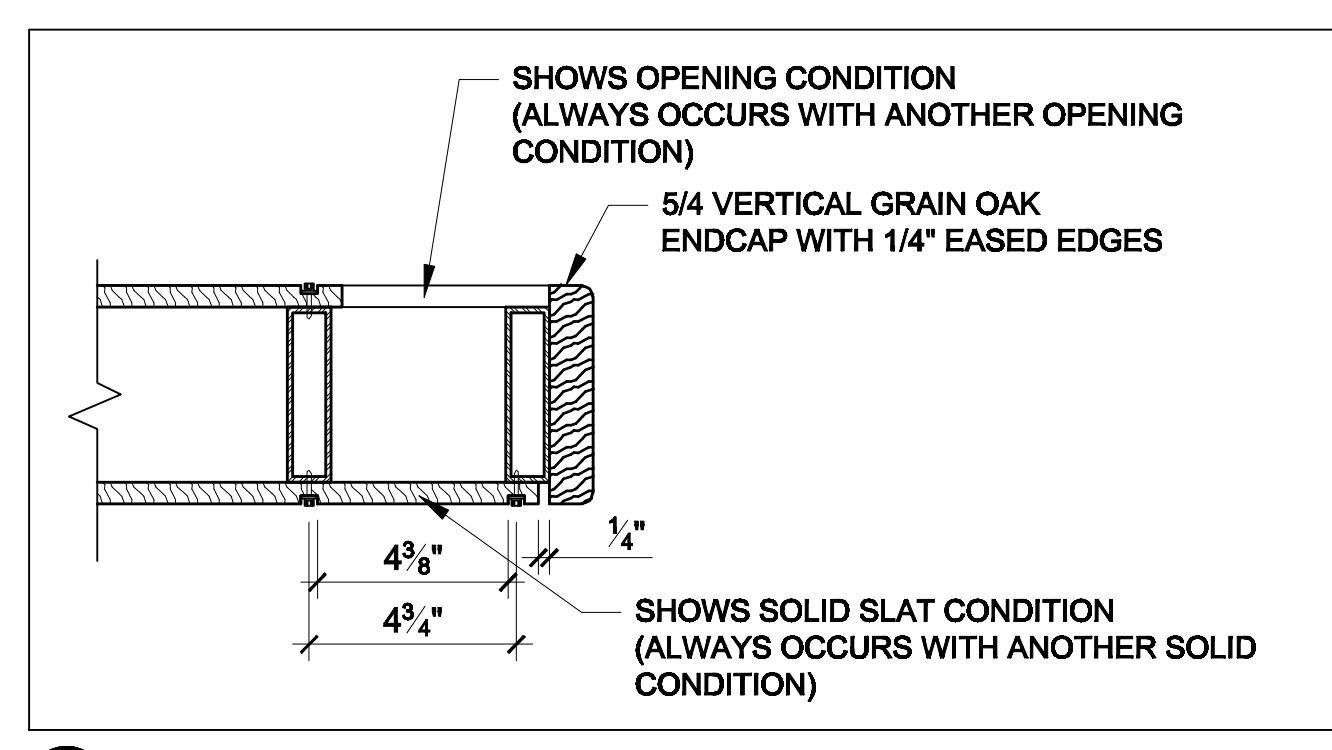
8 WOOD WALL PLAN DETAIL
3/8" = 1'-0"



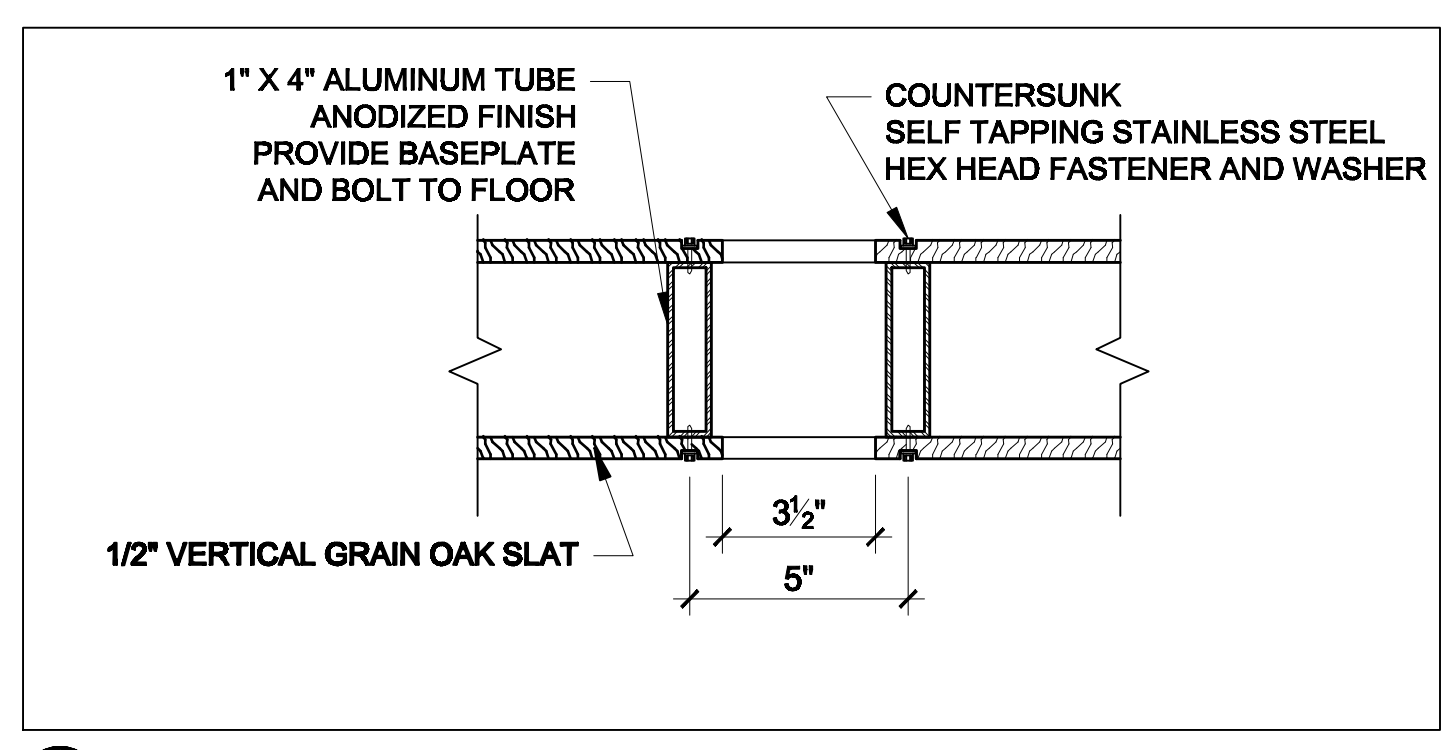
9 HALF WALL CAP DETAIL
3/16" = 1'-0"



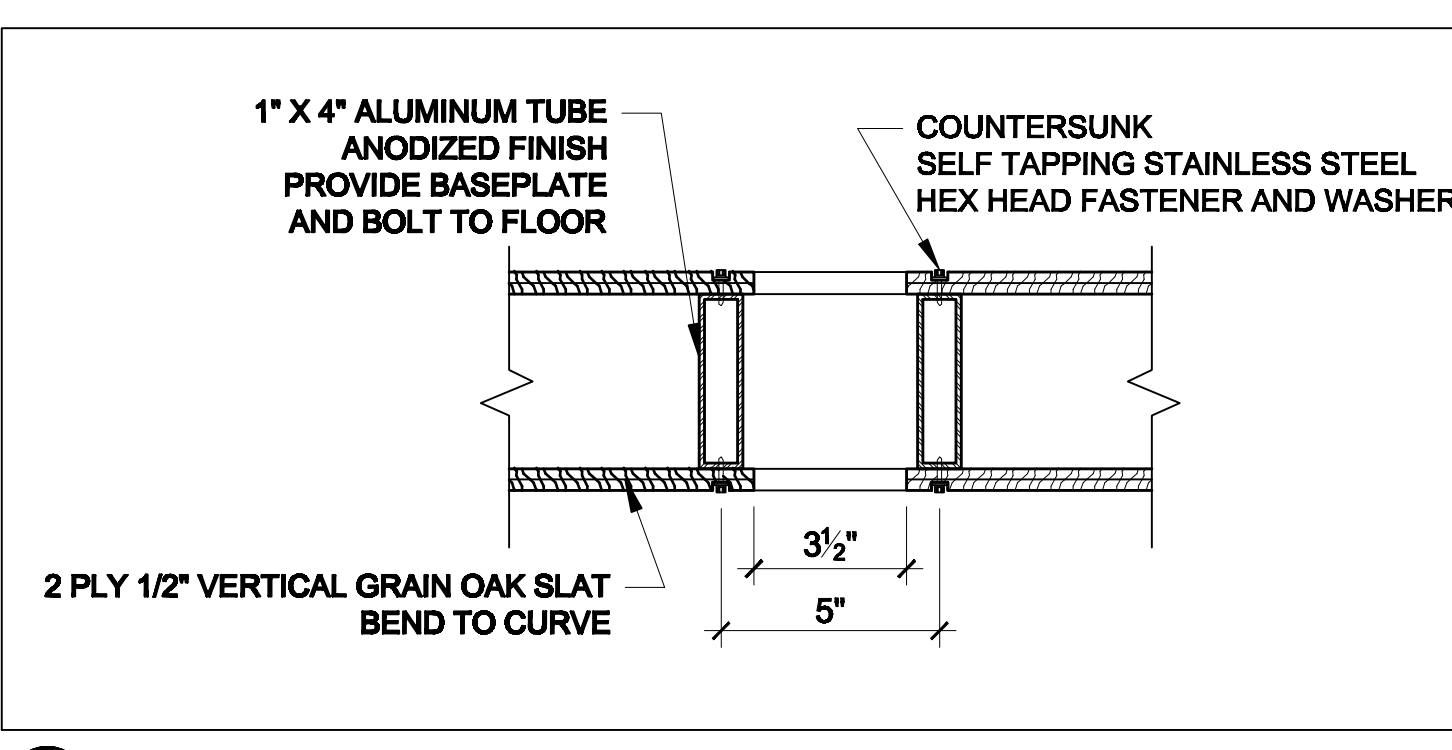
3 SCREEN WALL CAP DETAIL
1/16" = 1'-0"



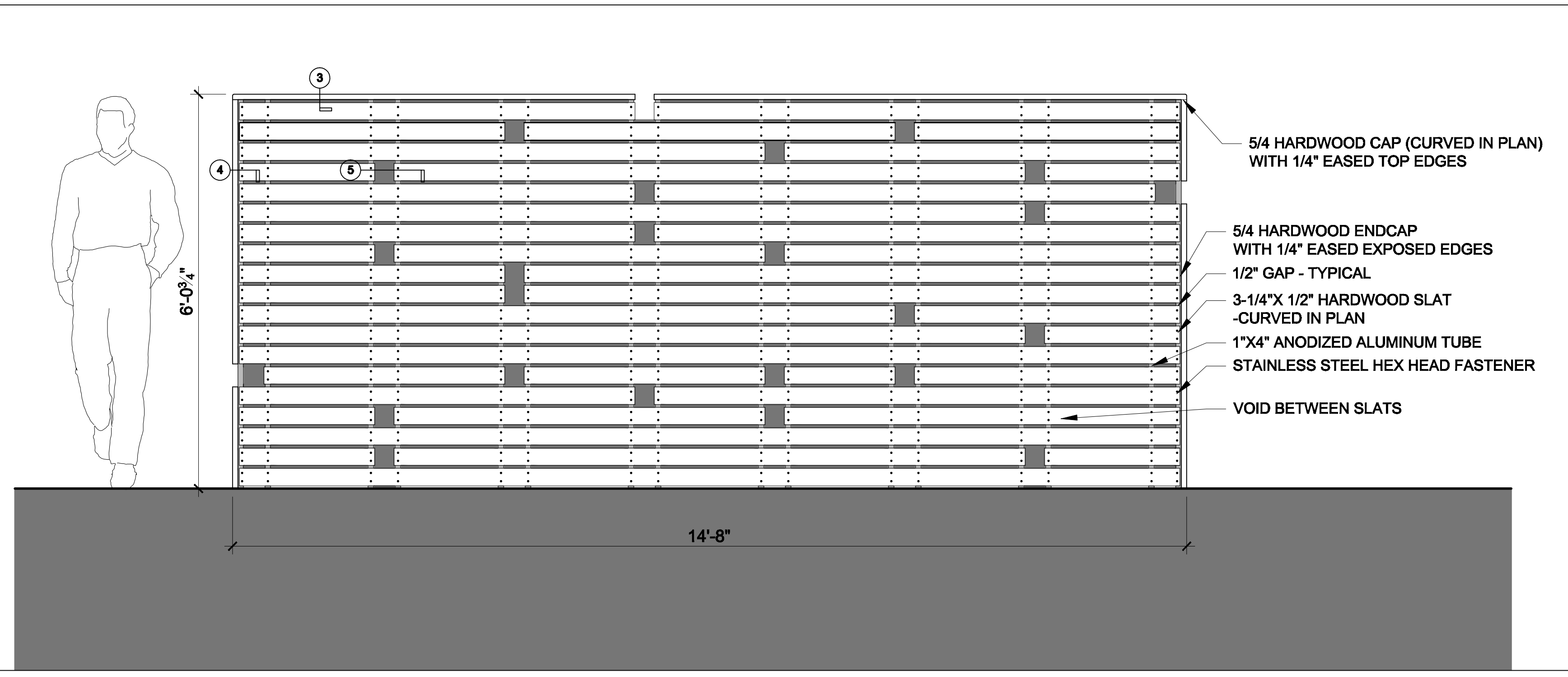
4 SCREEN WALL END DETAIL
1/16" = 1'-0"



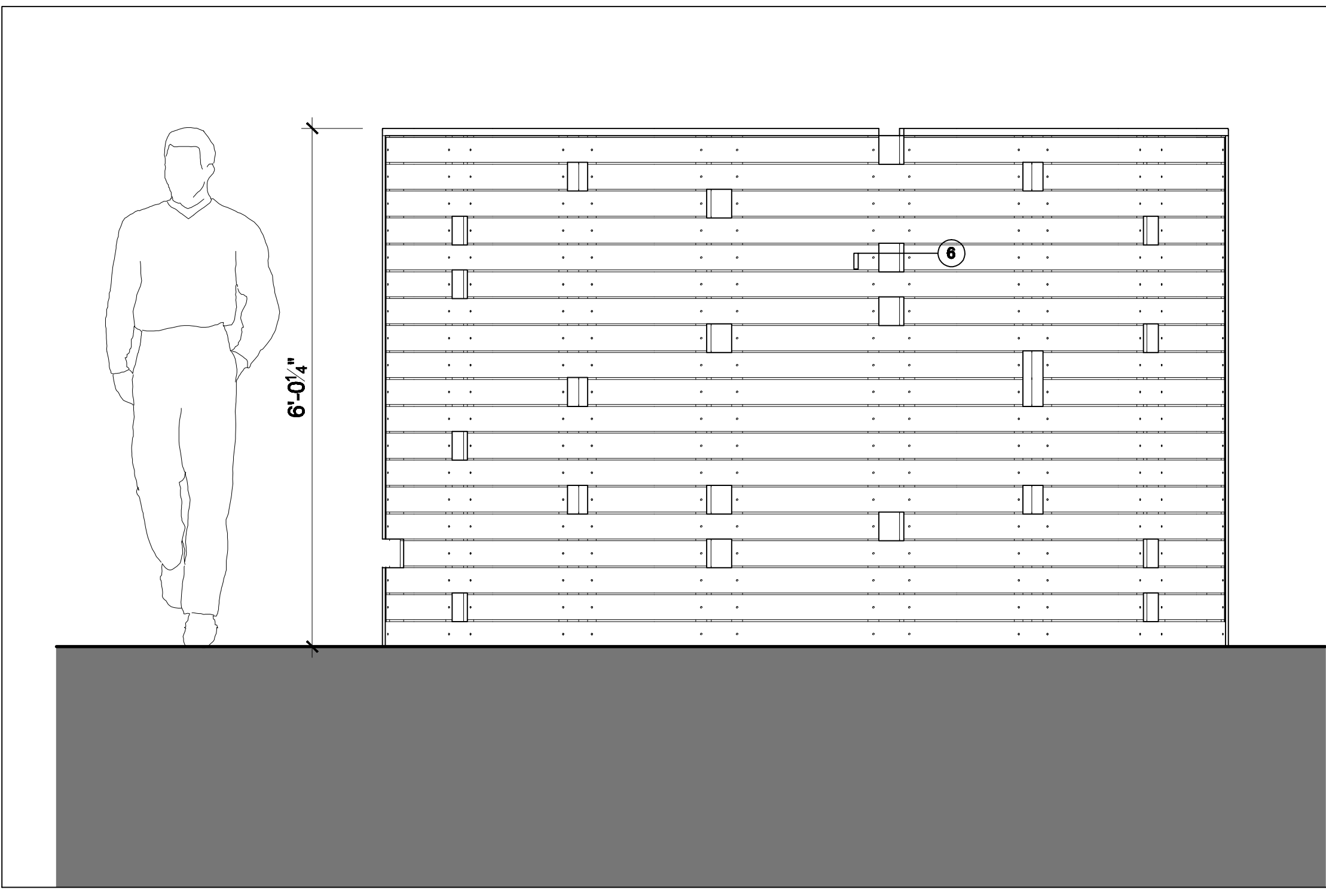
5 SCREEN WALL VOID DETAIL
3/16" = 1'-0"



6 SCREEN WALL VOID DETAIL AT CURVED WALL
1/16" = 1'-0"



1 SCREEN WALL AT OPEN OFFICE # 220
3/8" = 1'-0"



2 CURVED SCREEN WALL AT OPEN MEETING # 260
3/8" = 1'-0"