

**City of Portland, Maine - Building or Use Permit Application**  
 389 Congress Street, 04101 Tel: (207) 874-8703, Fax: (207) 874-8716

**PERMIT ISSUED**

Permit No: 01-0725	Issue Date: JUL 10 2001	CBL: 370A A003001
-----------------------	----------------------------	----------------------

Location of Construction: 500 Riverside Ind Pkwy	Owner Name: 500 Riverside Associates	Owner Address: Po Box 380 Cumberland Center, ME	Phone: 207-829-6155
Business Name: Envirologix Inc.	Contractor Name: D.R. Hubbard & Sons	Contractor Address: Po Box 7 Steep Falls	Phone: 2076373400
Lessee/Buyer's Name: Bruce Ferguson	Phone: 207-797-0300	Permit Type: Sheds	Zone: I-M

Past Use: Commercial / Manufacturing	Proposed Use: Same: Build a 11' X 11' Freestanding Shed ( Greenhouse). Call Bruce or Peter at 797-0300 when ready.	Permit Fee: \$66.00	Cost of Work: \$6,419.00	CEO District: 1
		FIRE DEPT: <input checked="" type="checkbox"/> Approved <input type="checkbox"/> Denied	INSPECTION: Use Group: 4 Type:	

**Proposed Project Description:**  
 Build a 11' X 11' Freestanding Shed

Signature: *[Signature]* Signature: *[Signature]*  
 PEDESTRIAN ACTIVITIES DISTRICT (P.A.D.)  
 Action:  Approved  Approved w/Conditions  Denied  
 Signature: \_\_\_\_\_ Date: \_\_\_\_\_

Permit Taken By: eih	Date Applied For: 06/18/2001
-------------------------	---------------------------------

**Zoning Approval**

1. This permit application does not preclude the Applicant(s) from meeting applicable State and Federal Rules. 2. Building permits do not include plumbing, septic or electrical work. 3. Building permits are void if work is not started within six (6) months of the date of issuance. False information may invalidate a building permit and stop all work..	Special Zone or Reviews <input type="checkbox"/> Shoreland <input type="checkbox"/> Wetland <input type="checkbox"/> Flood Zone <input type="checkbox"/> Subdivision <input checked="" type="checkbox"/> Site Plan <i>received site plan exempt. SAI</i> Maj <input type="checkbox"/> Minor <input type="checkbox"/> MM <input type="checkbox"/> Date: <i>OK [Signature]</i> <i>7/3/01</i>	Zoning Appeal <input type="checkbox"/> Variance <input type="checkbox"/> Miscellaneous <input type="checkbox"/> Conditional Use <input type="checkbox"/> Interpretation <input type="checkbox"/> Approved <input type="checkbox"/> Denied Date: _____	Historic Preservation <input checked="" type="checkbox"/> Not in District or Landmark <input type="checkbox"/> Does Not Require Review <input type="checkbox"/> Requires Review <input type="checkbox"/> Approved <input type="checkbox"/> Approved w/Conditions <input type="checkbox"/> Denied Date: <i>[Signature]</i>
--	---	--	--

**CERTIFICATION**

I hereby certify that I am the owner of record of the named property, or that the proposed work is authorized by the owner of record and that I have been authorized by the owner to make this application as his authorized agent and I agree to conform to all applicable laws of this jurisdiction. In addition, if a permit for work described in the application is issued, I certify that the code official's authorized representative shall have the authority to enter all areas covered by such permit at any reasonable hour to enforce the provision of the code(s) applicable to such permit.

SIGNATURE OF APPLICANT \_\_\_\_\_ ADDRESS \_\_\_\_\_ DATE \_\_\_\_\_ PHONE \_\_\_\_\_

RESPONSIBLE PERSON IN CHARGE OF WORK, TITLE \_\_\_\_\_ DATE \_\_\_\_\_ PHONE \_\_\_\_\_

THIS IS NOT A PERMIT/CONSTRUCTION CANNOT COMMENCE UNTIL THE PERMIT IS ISSUED

## All Purpose Building Permit Application

If you or the property owner owes real estate or personal property taxes or user charges on any property within the City, payment arrangements must be made before permits of any kind are accepted.

Location/Address of Construction: ENVIROLOGIX INC., 500 RIVERSIDE IND'L PKWY, PORTLAND		
Total Square Footage of Proposed Structure	121 S.F.	Square Footage of Lot 7.053 ACRES
Tax Assessor's Chart, Block & Lot Number	Owner:	Telephone#:
Chart# 370 Block# AA Lot# 003	500 RIVERSIDE ASSOCIATES 100 MIDDLE ST, PO BOX 406 OTS PORTLAND ME 04112	829-6155
Lessee/Buyer's Name (If Applicable)	Owner's/Purchaser/Lessee Address:	Cost Of Work: Fee:
ENVIROLOGIX INC. c/o BRUCE FERGUSON OR PETER JOHNSON	SAME	\$ 6,419.00 \$ 66.00
Current use: MANUFACTURING		
If the location is currently vacant, what was prior use: Approximately how long has it been vacant:		
Proposed use: SAME. PROJECT IS SIMPLY FOR AN 11' X 11' GREENHOUSE (STAND-ALONE) ANCLLLARY TO OUR MANUFACTURING. NO MFG IN GREENHOUSE.		
Project description: SEE ↗		
Contractor's Name, Address & Telephone: D. R. HUBBARD & SONS 637-3400 PO BOX 7, STEEP FALLS, ME 04085		
Applicants Name, Address & Telephone: ENVIROLOGIX INC. TX MA 500 RIVERSIDE INDUSTRIAL PARKWAY, PORTLAND 04103-11		
Who should we contact when the permit is ready: APPLICANT: BRUCE FERGUSON OR PETER JOHNSON		
Telephone: 797-0300		
If you would like the permit mailed, what mailing address should we use: APPLICANT ADDRESS		

DEPT. OF BUILDING PERMITS SECTION  
CITY OF PORTLAND  
JUN 18 2001  
RECEIVED

6/18/01  
Rec'd By: [Signature]

**THIS IS NOT A PERMIT/CONSTRUCTION CANNOT COMMENCE UNTIL THE PERMIT IS ISSUED**

**PLOT PLAN INCLUDES THE FOLLOWING:**

- The shape and dimension of the lot, all existing buildings (if any), the proposed structure and the distance from the actual property lines. Structures include decks porches; a bow windows cantilever sections and roof overhangs, as well as, sheds, pools, garages and any other accessory structures.
- Scale and North arrow; Zoning District & Setbacks
- First Floor sill elevation ( based on mean sea level datum);
- Location and dimensions of parking areas and driveways;
- Location and size of both existing utilities in the street and the proposed utilities serving the building;
- Location of areas on the site that will be used to dispose of surface water.
- Existing and proposed grade contours

**A COMPLETE SET OF CONSTRUCTION DRAWINGS INCLUDES THE FOLLOWING:**

- Cross Sections w/Framing details (including porches, decks w/ railings, and accessory structures)
  - Floor Plans & Elevations
  - Window and door schedules
  - Foundation plans with required drainage and damp proofing
- Electrical and plumbing layout. Mechanical drawings for any specialized equipment such as furnaces, chimneys, gas equipment, HVAC equipment (air handling) or other types of work that may require special review must be included.

**SEPARATE PERMITS ARE REQUIRED FOR INTERNAL & EXTERNAL PLUMBING, HVAC AND ELECTRICAL INSTALLATIONS**

- All construction must be conducted in compliance with the 1999 B.O.C.A. Building Code as amended by Section 6-Art II.
- All plumbing must be conducted in compliance with the State of Maine Plumbing Code.
- All Electrical Installation must comply with the 1999 National Electrical Code as amended by Section 6-Art III.
- HVAC (Heating, Ventilation and Air Conditioning) installation must comply with the 1993 BOCA Mechanical Code.

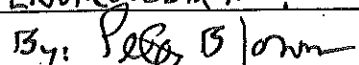
Minor/Minor Site Review Fee for New Single Family homes: \$300.00/Building Permit Fee: \$30.00 for the 1st \$1000.cost plus \$6.00 per \$1,000.00 construction cost thereafter.

**ONE SET OF SUBMISSIONS INCLUDING CONSTRUCTION AND SITE PLAN DRAWINGS MUST BE SUBMITTED ON PAPER NO LARGER THAN 11" x 17" BEFORE ANY BUILDING PERMIT WILL BE ISSUED**

**Certification**

*I hereby certify that I am the Owner of record of the named property, or that the proposed work is authorized by the owner of record and that I have been authorized by the owner to make this application as his/her authorized agent. I agree to conform to all applicable laws of this jurisdiction. In addition, if a permit for work described in this application is issued, I certify that the Code Official's authorized representative shall have the authority to enter all areas covered by this permit at any reasonable hour to enforce the provisions of the codes applicable to this permit.*

ENVIROLOGIX INC.

Signature of applicant: By: 	Date: JUNE 18, 2001
---	---------------------



TITLE: Foundation Plans For type "D" & "E"

DWG NO.

DATE:

SCALE:

2-7

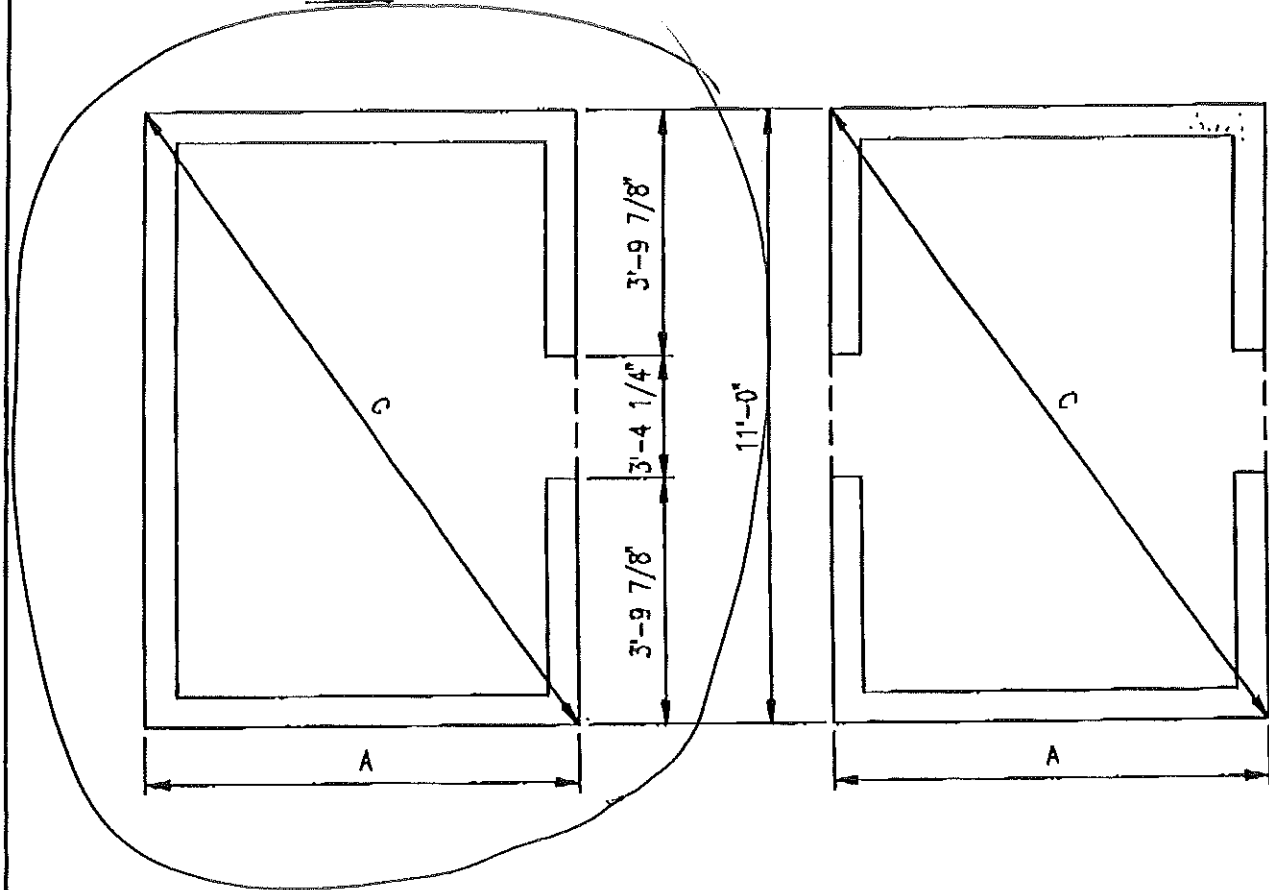
FILE NO.: sec2-7e.dwg

DWN. BY:

OMIT MASONRY UNITS AS REQUIRED TO FORM DOOR OPENING 3'-4 1/4"

PLAN E

PLAN D



NOTE: THE DIAGONAL IS INTENED TO BE USED AS A CHECK SO THAT THE FOUNDATION IS ALIGNED AT RIGHT ANGLES TO HOUSE AND SO CORNERS ARE SQUARE.

CAMELLIA 11 OUT TO OUT WALL DIMENSIONS FOR PLANS "D" & "E" TABLE OF LENGTHS

NO. OF 2'-6 3/4" SECTIONS	4	5	6	7	8
LENGTH A	11'-0 1/2"	13'-7 1/4"	16'-2"	18'-8 3/4"	21'-3 1/2"
DIAGONAL C	15'-7"	17'-5 15/16"	19'-6 5/8"	21'-8 5/8"	23'-11 9/16"
NO. OF 2'-6 3/4" SECTIONS	9	10	11	12	
LENGTH A	23'-10 1/4"	26'-5"	28'-11 3/4"	31'-6 1/2"	
DIAGONAL C	26'-3 1/4"	28'-7 3/8"	30'-11 15/16"	33'-4 7/8"	

DWG NO.

TITLE:

Perspective View of  
Camellia 11 - SEGG

3-20

DATE:

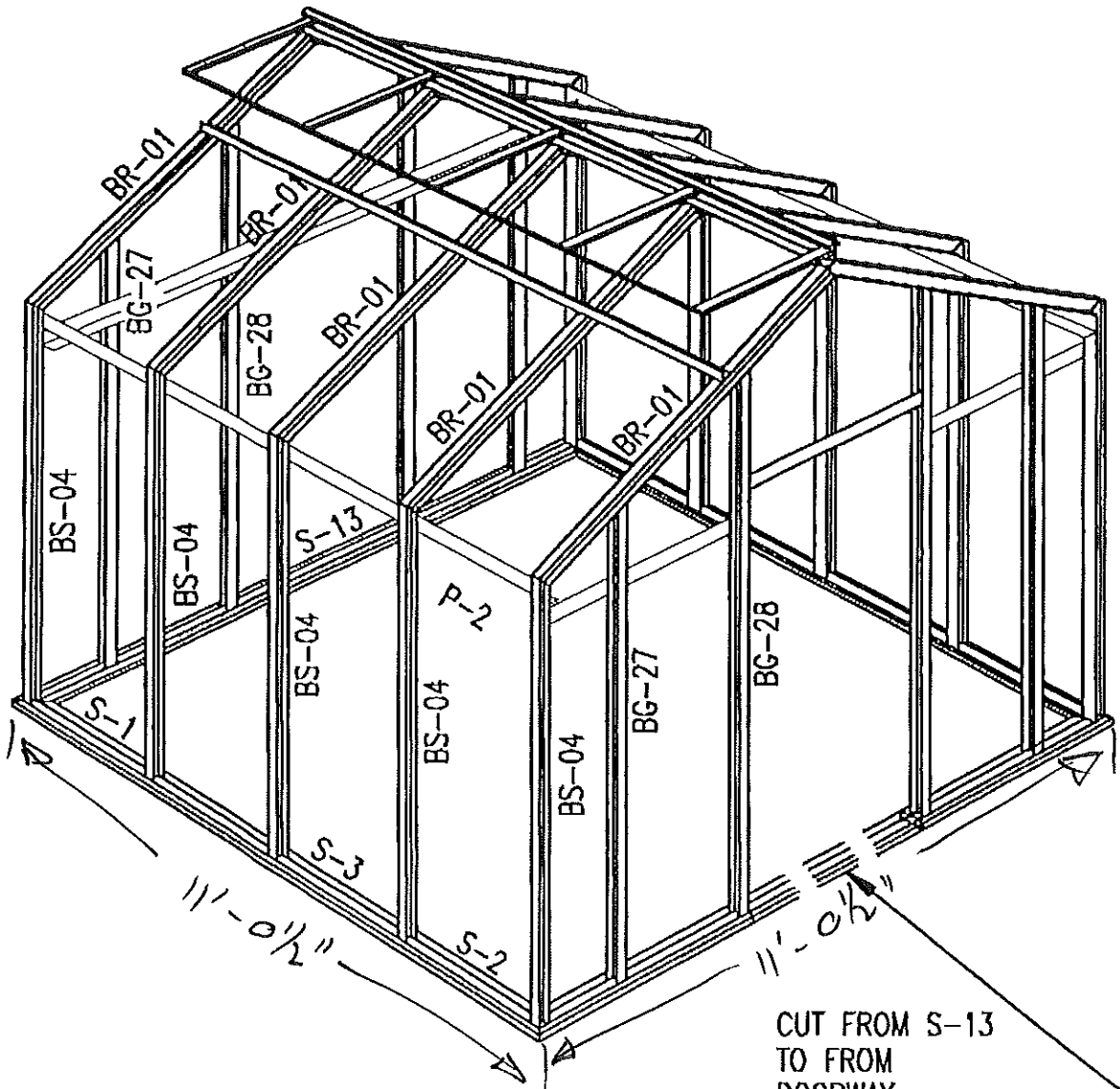
SCALE:

FILE NO.: c113-20d.dwg

DWN. BY:



NOTE: MODEL ILLUSTRATED IS  
JANCO 11'-0 1/2"  
FOUNDATION LENGHT  
(4 SECTIONS)



CUT FROM S-13  
TO FROM  
DOORWAY  
SEE SECTION 6  
(DOOR)



TITLE: Section Thru Greenhouse Typical Structural  
Detail Camellia 11 SEGG Insulated

DWG NO.

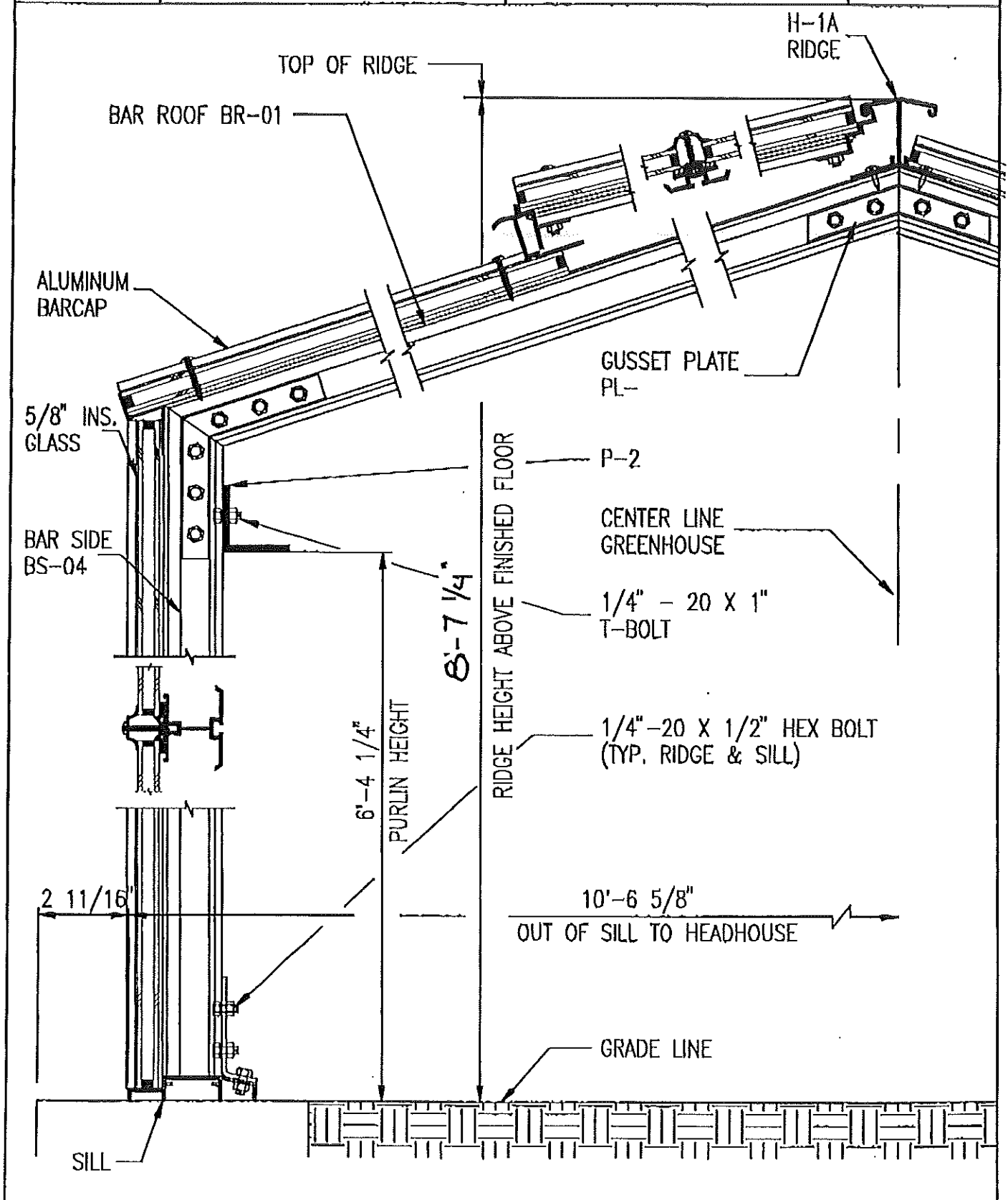
DATE: June 23,1997


SCALE: 3" = 1'-0"

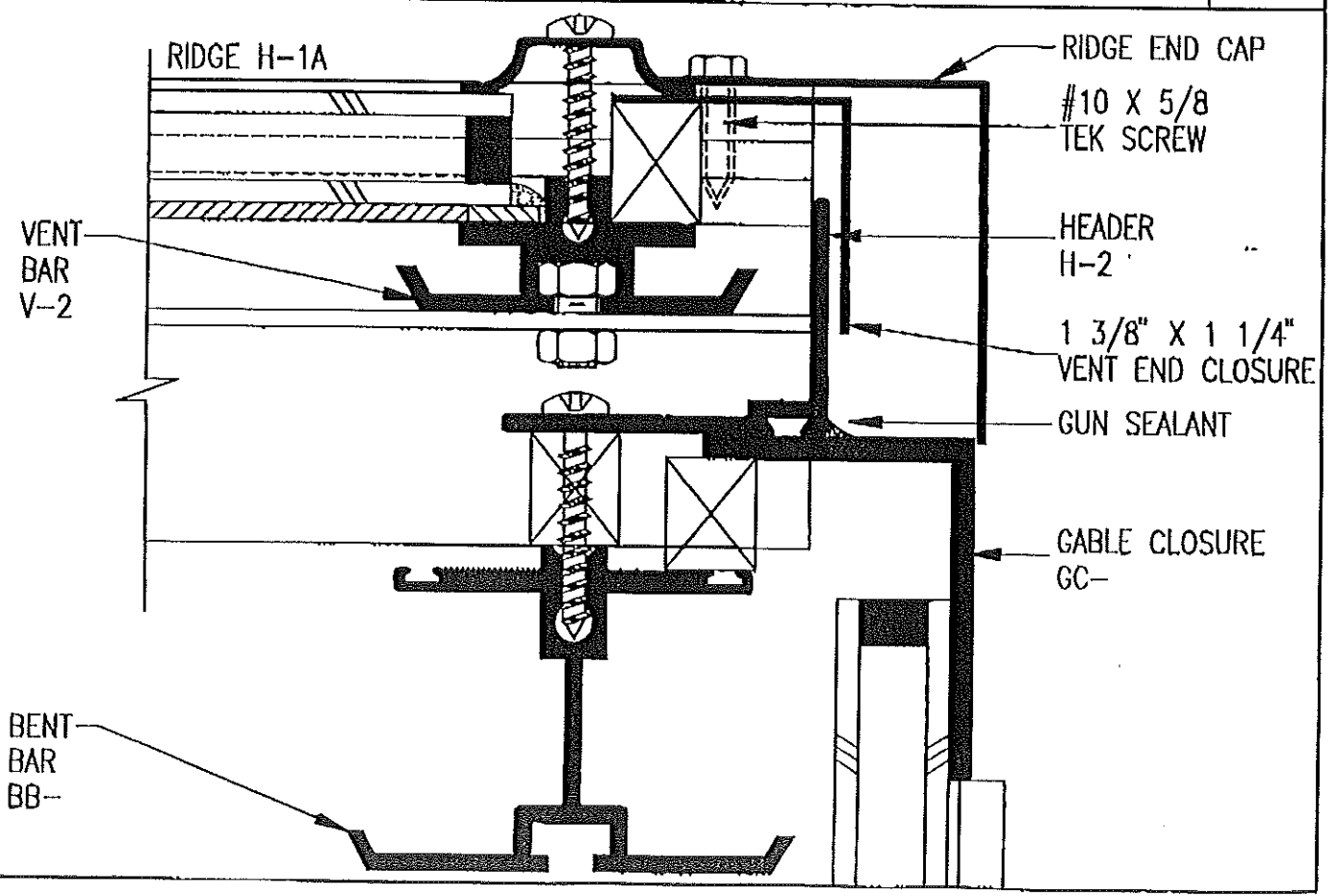
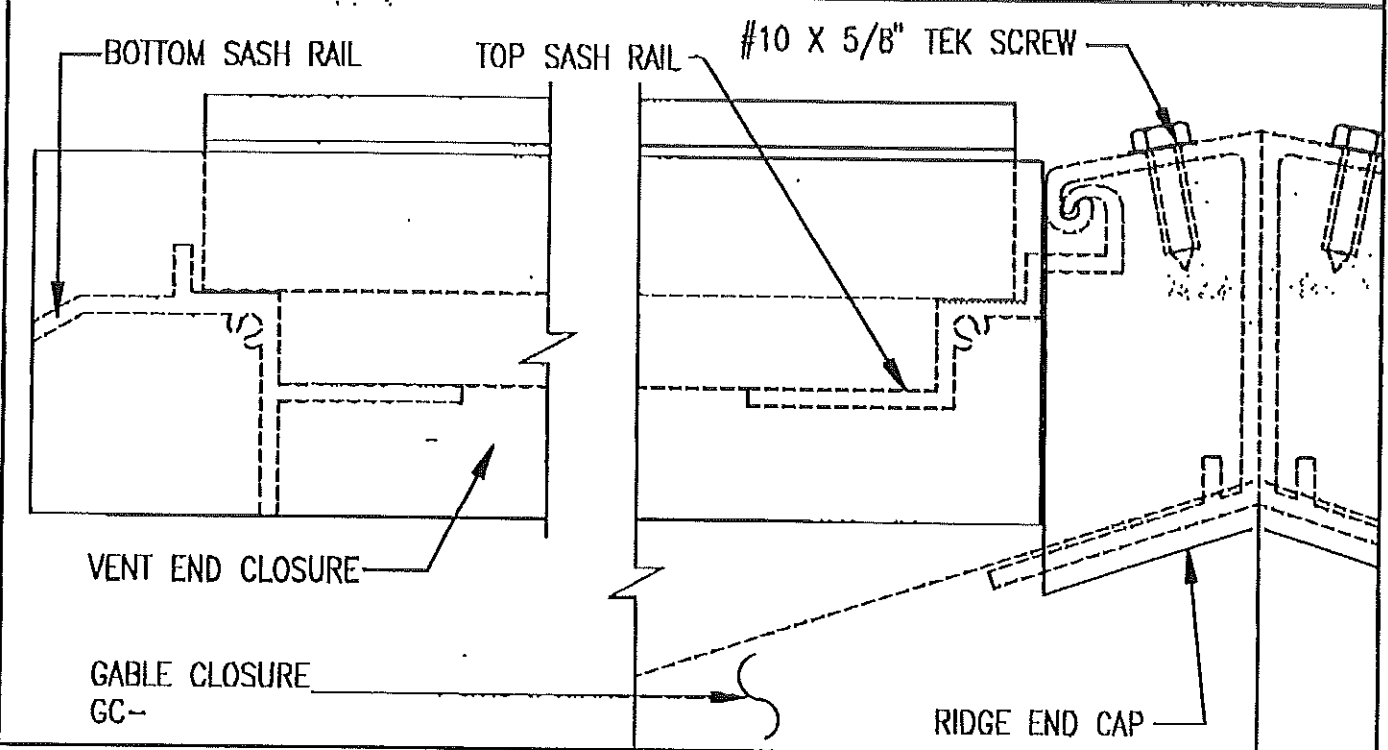
3-21

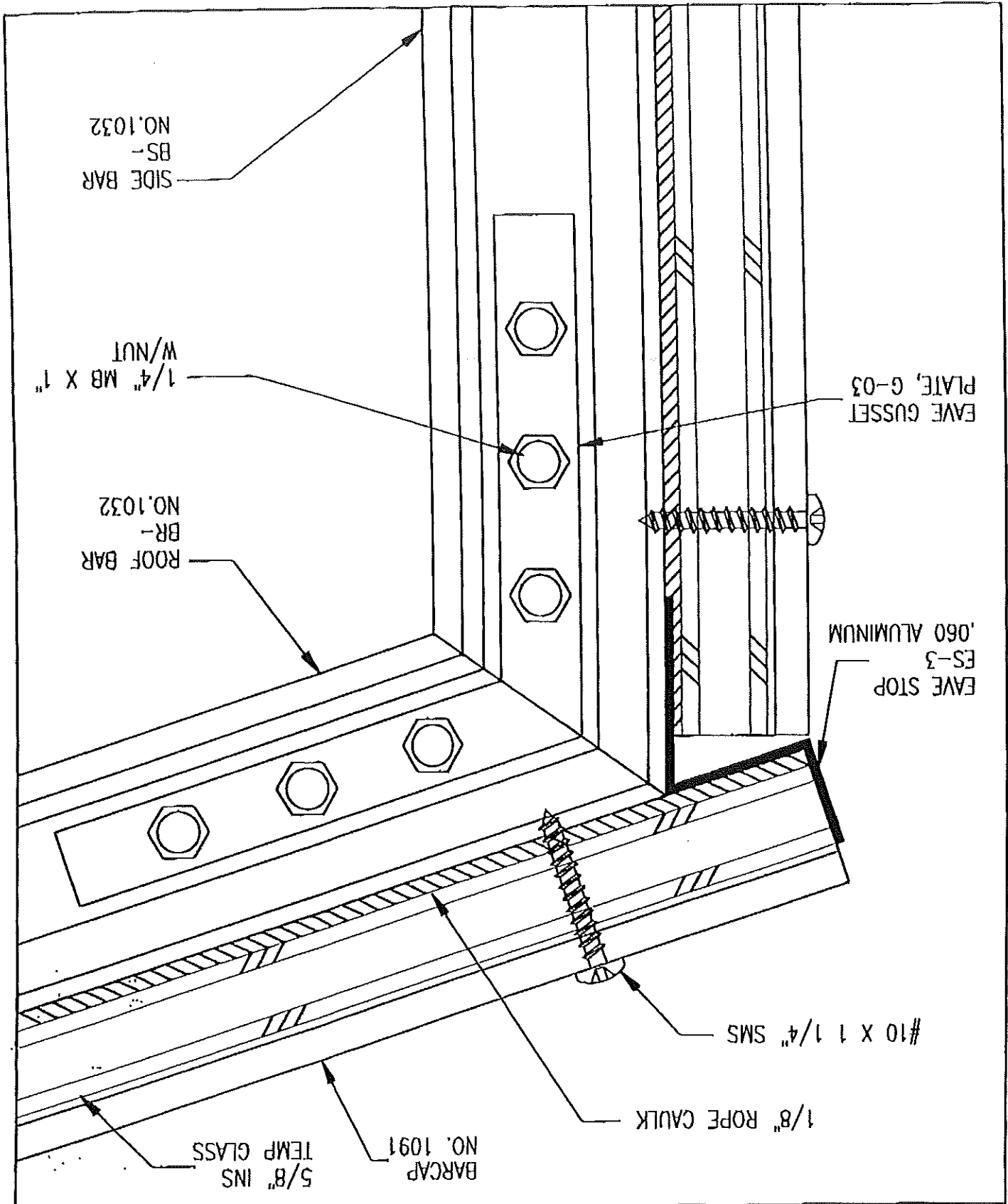
FILE NO.: c113-21h.dwg


DWN. BY:



DWG NO.  <b>5-14</b>	TITLE: <b>Vent End Closure Detail For Insulated Free Standing Models</b>		
	DATE: June 23, 1997	SCALE:	
	FILE NO.: sec5-14e.dwg	DWN. BY:	





DWG NO. 5-15	DATE: FULL	FILE NO.: sec5-15d.dwg	
	SCALE: FULL	DWN. BY:	
TITLE: Straight Eave Detail For All Insulated Rancher/Camellia Series			





**EnviroLogix Incorporated TELEFAX**

**FROM:** Bruce S. Ferguson **DATE:** July 2, 2001  
**TO:** Mr. Chris Harris **PAGE:** 1 of 3  
Office of Inspections - Room 315 **FAX#:** 874-8716  
Portland City Hall  
389 Congress Street  
Portland, Maine

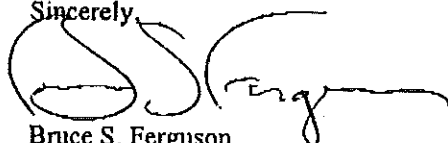
Dear Chris:

Attached is a copy of a FAX from Mr. Mike Truitt at JANCO Greenhouses of Laurel, MD. His memo will attest to the fact that the "Camilla 11" greenhouse we intend to purchase and erect here at 500 Riverside Industrial Parkway will withstand a snow loading of 42 lbs per square foot.

We will purchase the "Additional Understructure Support" he alludes to.

If I can be of further assistance, please let me know. I hope this information will expedite our June 18 application for a building permit.

Sincerely,

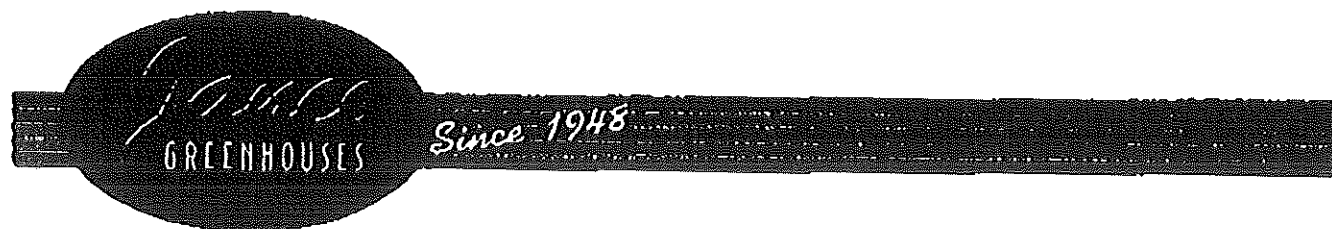


Bruce S. Ferguson  
President

BSF / byt

Enc.

EnviroLogix Inc. 500 Riverside Industrial Parkway, Portland, ME 04103  
(207) 797-0300 FAX (207) 797-7533  
email address: [elix1@aol.com](mailto:elix1@aol.com)  
EnviroLogix Inc. Web Site: <http://www.envirologix.com>



REF: JANCO FREESTANDING GREENHOUSE.  
MODEL CAMELIA 11 STRAIGHT EAVED  
GLASS TO GROUND, WITH INSULATED  
GLASS, 11'-0 1/2" LONG.

TO WHOM IT MAY CONCERN:

JANCO GREENHOUSES WILL CERTIFY THAT THE ABOVE GREENHOUSE  
WILL MEET ALL LOAD REQUIREMENTS AS LISTED BELOW, ON THE  
CONDITION THAT THE CUSTOMER PURCHASE ADDITIONAL  
UNDERSTRUCTURE SUPPORT AS WE DEEM NECESSARY. THE  
ALUMINUM ENCLOSURE SHALL BE DESIGNED TO CARRY THE  
FOLLOWING LOADS:

DEAD LOAD = 5 LBS. PER SQ. FT.  
WIND LOAD = 20 LBS. PER SQ. FT. ON VERTICALLY PROJECTED AREA  
(12 LBS. PER SQ. FT. NORMAL TO ROOF)  
SNOW/LIVE = 42 LBS. PER SQ. FT.

ALL JANCO GREENHOUSES ARE DESIGNED TO CONFORM WITH THE  
BOCA NATIONAL BUILDING CODE.

**J.A. NEARING CO., INC.**

9390 DAVIS AVENUE, LAUREL, MD 20723

PHONE 301-498-5700 FAX 301-497-9751

[www.jancoinc.com](http://www.jancoinc.com)

1-800-323-6933



**GREENHOUSES  
AND GLASS STRUCTURES**

**J.A. Nearing Co., Inc.**

9390 Davis Avenue • Laurel, MD 20723-1993  
(301) 498-5700 Fax: (301) 497-9751

**FACSIMILE TRANSMISSION**

Date: July 2, 2001 Fax#: 207-797-7533

To: \_\_\_\_\_

Attention: Bruce Ferguson

Reference: \_\_\_\_\_

From: J.A. Nearing Co., Inc.  
9390 Davis Avenue  
Laurel, Maryland 20723

By: Mike Truitt

Pages: (Including this one) 2

Message: (if any) \_\_\_\_\_

Note: Please deliver this facsimile transmission to the above addressee (s). If you did not receive all the pages in good condition, please advise us at (301) 498-5700 or Fax (301) 497-9751 at your earliest convenience.

Thank You!



**CITY OF PORTLAND, MAINE**  
Department of Building Inspection

June 15 2001

Received from Environlogix Inc. a fee

of 100 Dollars \$ 66.00

for permit to  install  
 erect  
 alter  
 move  
 demolish

Build 11' x 11' ground

at 500 Est. Cost \$ 6,419.00

Check # 4766  
CB 2 370 AA003

Inspector of buildings  
Per [Signature]

**THIS IS NOT A PERMIT**

No work is to be started until PERMIT CARD is actually posted upon the premises. Acceptance of fee is no guarantee that permit will be granted. PRESERVE THIS RECEIPT. In case permit cannot be granted the amount of the fee will be refunded upon return of the receipt less \$5.00 or 10% whichever is greater.

WHITE - Applicant's Copy  
YELLOW - Office Copy  
PINK - Auditors Copy