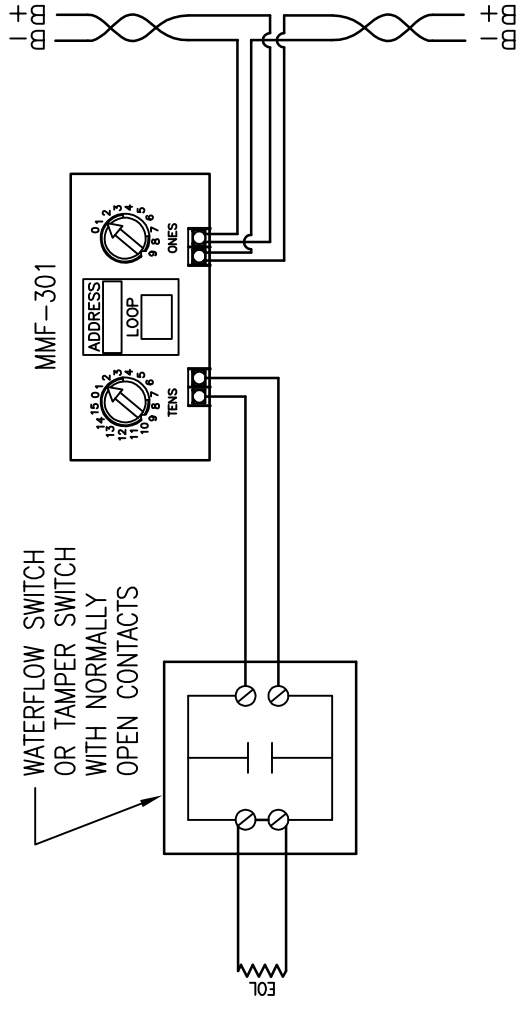
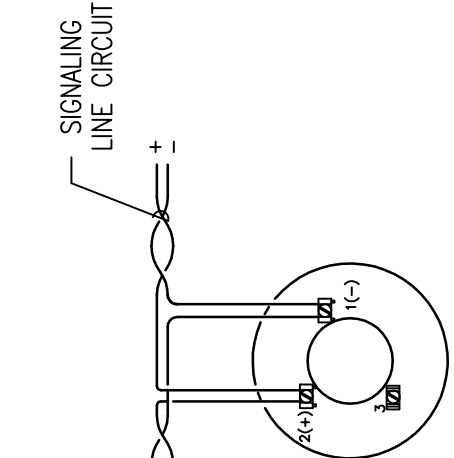


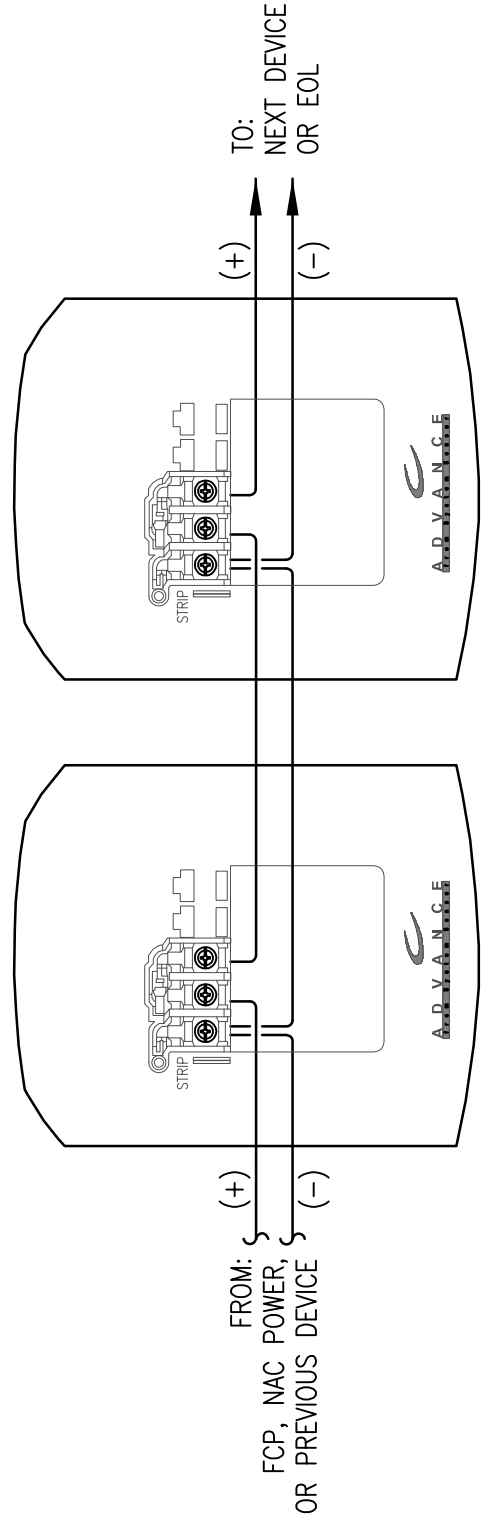
MANUAL PULL STATION WIRING DETAIL
SCHEMATIC: NO SCALE



WATERFLOW / TAMPER WIRING DETAIL
SCHEMATIC: NO SCALE



ADDRESSABLE SMOKE DETECTOR WIRING DETAIL
SCHEMATIC: NO SCALE



TYPICAL 2 WIRE STROBE WIRING DETAIL
SCHEMATIC: NO SCALE

FIRE ALARM SYMBOL LEGEND
NOTE: ALL SYMBOLS MAY NOT BE USED ON THIS PROJECT

SYMBOL	DESCRIPTION	MOUNTING
FCP	FIRE ALARM CONTROL PANEL	WALL-TOP @ 66"
FPS	FIRE ALARM POWER SUPPLY	FIELD VERIFY
FSA	FIRE SYSTEM ANNUNCIATOR	WALL-TOP @ 66"
FTS	REMOTE TEST STATION	FIELD VERIFY
⊙	SMOKE DETECTOR	CEILING
⊖	DUCT SMOKE DETECTOR	BY OTHERS
⊕	HEAT DETECTOR	CEILING
⊙	CARBON MONOXIDE DETECTOR	CEILING
CM	ADDRESSABLE CONTROL MODULE	FIELD VERIFY
MM	ADDRESSABLE MONITOR MODULE	FIELD VERIFY
LP	MANUAL PULL STATION	WALL @ 48"
RM	CONTROL RELAY (MULTI-VOLTAGE)	FIELD VERIFY
RM	ADDRESSABLE RELAY MODULE	FIELD VERIFY
KB	KNOX BOX	FIELD VERIFY
⊖	MAGNETIC DOOR HOLDER	FIELD VERIFY
⊖	WATER FLOW SWITCH	BY OTHERS
⊖	VALVE TAMPER SWITCH	BY OTHERS
⊖	BELL	BY OTHERS
⊖	CEILING MOUNT STROBE	FIELD VERIFY
⊖	CEILING MOUNT HORN / STROBE	FIELD VERIFY
⊖	CEILING MOUNT SPEAKER / STROBE	FIELD VERIFY
⊖	HORN	WALL @ 10'-0"
⊖	HORN / STROBE	WALL 80"-96"
⊖	SPEAKER / STROBE	WALL 80"-96"
⊖	SPEAKER	WALL @ 90"
⊖	STROBE	WALL 80"-96"

ABBREVIATION	DESCRIPTION
E	EXISTING WIRING
G	GROUND
B	RESIDENTIAL MOUNT
R	RESIDENTIAL (110V)
S	SOUNDER BASE
WP	WEATHER PROOF
EOL	END OF LINE RESISTOR
EOL	END OF LINE RELAY
AWG	AMERICAN WIRE GAUGE
TWP	TWISTED PAIR
TWSP	TWISTED SHIELDED PAIR
FPLP	FIRE POWER LIMITED PLENUM
FPLR	FIRE POWER LIMITED RISER

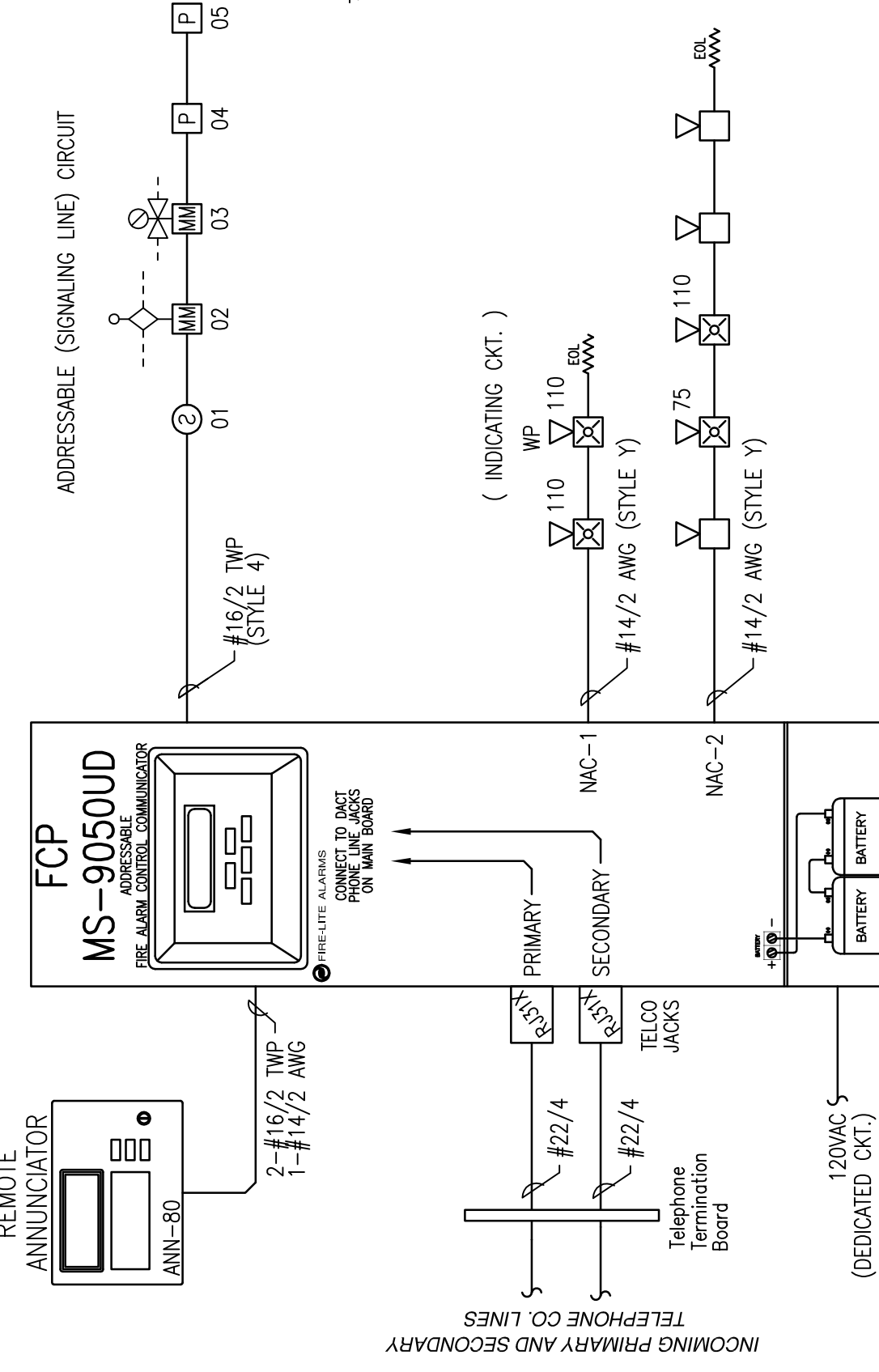
OPERATIONS MATRIX

	ACTIVATE AUDIBLE ALARM	ACTIVATE SUPERVISORY INDICATOR	ACTIVATE AUDIBLE SUPERVISORY SIGNAL	ACTIVATE TROUBLE INDICATOR	ACTIVATE AUDIBLE TROUBLE SIGNAL	ACTIVATE SUPERVISORY SIGNAL	TRANSMIT TROUBLE SIGNAL
FIRE ALARM INPUT	●	●	●	●	●	●	●
SMOKE DETECTORS	●	●	●	●	●	●	●
PULL STATIONS	●	●	●	●	●	●	●
WATERFLOW SWITCHES	●	●	●	●	●	●	●
VALVE TAMPER SWITCHES	●	●	●	●	●	●	●
FIRE ALARM AC POWER FAIL	●	●	●	●	●	●	●
FIRE ALARM LOW BATTERY	●	●	●	●	●	●	●
OPEN CIRCUIT	●	●	●	●	●	●	●
GROUND FAULT	●	●	●	●	●	●	●
NAC SHORT CIRCUIT	●	●	●	●	●	●	●
LOSS OF AC TO BUILDING	●	●	●	●	●	●	●

- GENERAL NOTES:**
- THESE DRAWINGS ARE DIAGRAMMATIC. REFER TO THE ARCHITECTURAL DRAWINGS FOR EXACT DIMENSIONS.
 - INSTALLATION SHALL COMPLY WITH NEC, NFPA 72 AND ALL OTHER APPLICABLE CODES AS REQUIRED BY THE LOCAL AUTHORITY HAVING JURISDICTION.
 - WIRING DEPICTED ON THESE PLANS IS SCHEMATIC - ACTUAL WIRE LOCATIONS MAY DIFFER FROM THESE PLANS. WIRING SHALL BE PERFORMED AS ACTUAL BUILDING CONSTRUCTION CONDITIONS ALLOW AND TO MINIMIZE PENETRATIONS THROUGH AREA SEPARATION WALLS AND FIRE WALLS. THE USE OF A FACEWAY IS PERMITTED AS LONG AS NO 110V OR HIGHER VOLTAGE CABLES ARE IN THE SAME FACEWAY.
 - FIRE RATINGS SHALL BE MAINTAINED FOR ALL PENETRATIONS THROUGH FIRE-RATED CONSTRUCTION.
 - POWER FOR ALL FIRE ALARM PANELS AND FIRE ALARM POWER SUPPLIES MUST BE PROVIDED BY A DEDICATED AC BRANCH CIRCUIT.
 - POWER-LIMITED AND NONPOWER-LIMITED CIRCUIT WIRING MUST REMAIN SEPARATED IN CABINET. ALL POWER-LIMITED CIRCUIT WIRING MUST REMAIN AT LEAST 0.25" AWAY FROM ANY NONPOWER-LIMITED CIRCUIT WIRING. FURTHERMORE, ALL POWER-LIMITED AND NONPOWER-LIMITED CIRCUIT WIRING MUST ENTER AND EXIT THE CABINET THROUGH DIFFERENT KNOCK OUTS AND/OR SEPARATE CONDUITS.
 - WHEN UTILIZING CLASS "A" CIRCUITS, SEPARATE OUTGOING AND RETURN CONDUCTORS OF CLASS "A" CIRCUITS BY A MINIMUM OF 12", WHERE RUN VERTICALLY AND 48" WHERE RUN HORIZONTALLY.
 - WHEN UTILIZING SHIELDED CABLE, TIE SHIELDS THROUGH AND INSULATE AT EACH JUNCTION BOX. INSULATE AND TAPE BACK AT END.
 - ALL FIRE ALARM CABLING SHALL BE ACCEPTABLE TO THE FIRE ALARM EQUIPMENT MANUFACTURER FOR THE INTENDED PURPOSE.
 - SMOKE DETECTORS SHALL NOT BE INSTALLED UNTIL AFTER CONSTRUCTION CLEAN-UP IS COMPLETED AND FINAL.
 - LOCATE SMOKE DETECTORS A MINIMUM OF THREE (3) FEET FROM MECHANICAL DIFFUSERS, WALL-MOUNTED SMOKE DETECTORS SHALL BE LOCATED A MINIMUM OF 4" AND A MAXIMUM OF 12" FROM CEILING. CEILING-MOUNTED SMOKE DETECTORS SHALL BE MOUNTED ON CEILINGS AND NOT ON THE BOTTOMS OF BEAMS OR JOISTS.
 - PROVIDE SYNCHRONIZATION OF ALL VISUAL NOTIFICATION APPLIANCE CIRCUITS. PROVIDE ALL REQUIRED SYNC MODULES. PROVIDE A MULTI-SYNC MODE SLAVE CONNECTION BETWEEN ALL SYNC MODULES.
 - VERIFY ALL FIELD SELECTABLE AUDIBILITY SETTINGS OF NOTIFICATION APPLIANCES WITH FIRE ALARM CONTRACTOR.
 - UPON COMPLETION OF THE FIRE ALARM SYSTEM INSTALLATION AND PROGRAMMING, THE INSTALLING CONTRACTOR SHALL PERFORM FINAL TESTING OF THE ENTIRE SYSTEM, PER ALL APPLICABLE CODES, AND SHALL COORDINATE AND PERFORM A FINAL FIRE ALARM SYSTEM INSPECTION.
 - SECTION OFF-SITE MONITORING AS REQUIRED BY THE INTERNATIONAL FIRE CODE, SECTION 907.15 AND THE LOCAL AUTHORITY HAVING JURISDICTION.
 - INSTALLING CONTRACTOR SHALL, PHYSICALLY, LABEL ALL INITIATING DEVICES AND NOTIFICATION APPLIANCE CIRCUIT END OF LINE (WHEN WIRING CLASS "B"). THESE LABELS SHALL BE IN PLACE PRIOR TO START-UP AND TESTING.

APPLICABLE CODES:

MAINE UNIFORM ENERGY & BUILDING CODE
 PORTLAND CITY CODE, CHAPTER 10, FIRE PREVENTION & PROTECTION
 NFPA 1, FIRE CODE, & NFPA 101, LIFE SAFETY CODE



FIRE ALARM RISER DIAGRAM
SCHEMATIC: NO SCALE

WIRE NOTE:
 VERIFY EXACT WIRE TYPE WITH FIRE ALARM CONTRACTOR BEFORE ORDERING.

RESERVED FOR CITY STAMP