

CWS ARCHITECTS
ARCHITECTURE | INTERIOR DESIGN
264 US ROUTE ONE
BOX 6, SUITE 100-2A
SCARBOROUGH, MAINE 04074
T: 207-774-4441
WWW.CWSARCH.COM

DESIGNER

OWNER

PROJECT

DRAWING

REVISIONS

FAIRPOINT COMMUNICATIONS

5 DAVIS FARM ROAD MERGER

DOOR ELEVATIONS, FRAME ELEVATIONS, AND DETAILS

1 DAVIS ROAD
PORTLAND ME 04101

5 DAVIS FARM ROAD
PORTLAND ME 04103

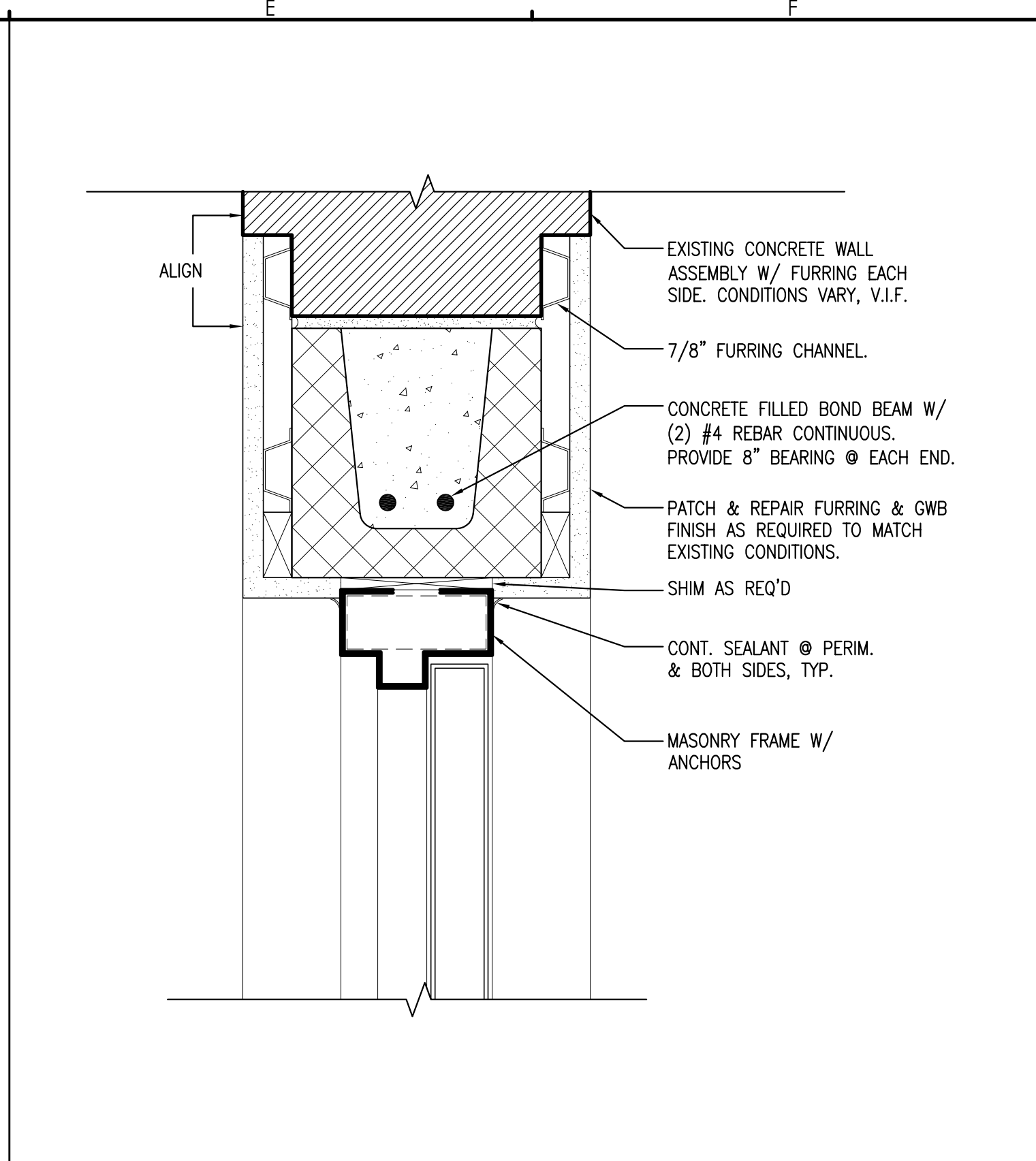
CWS PROJECT NUMBER: 17048

DRAWING NUMBER
A8.01
SCALE: AS NOTED
DATE: 1-2-2018

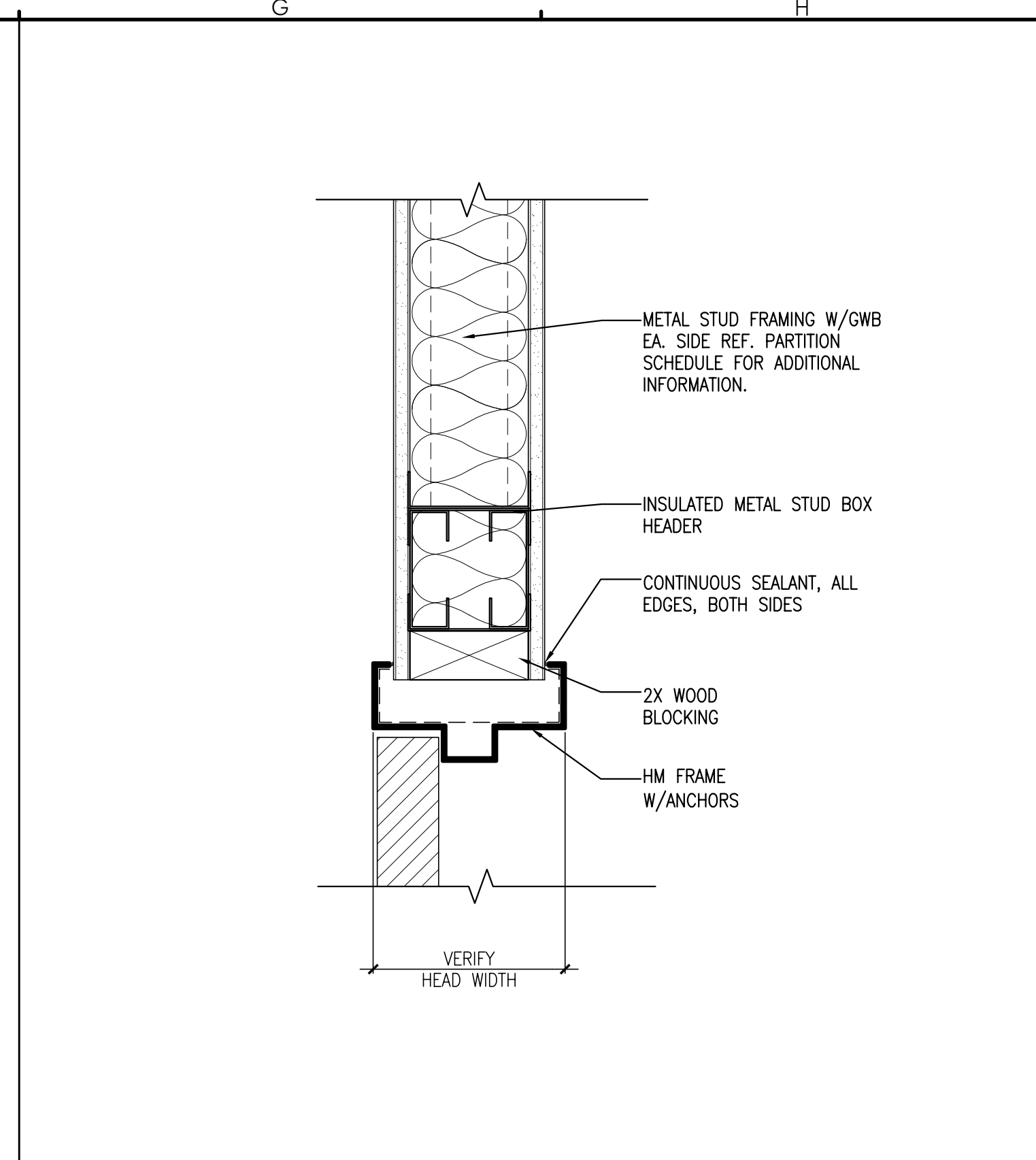
ISSUED FOR PERMITTING



C2 INTERIOR HOLLOW METAL DOOR HEAD
REFERENCED FROM: SCALE: 3" = 1'-0"



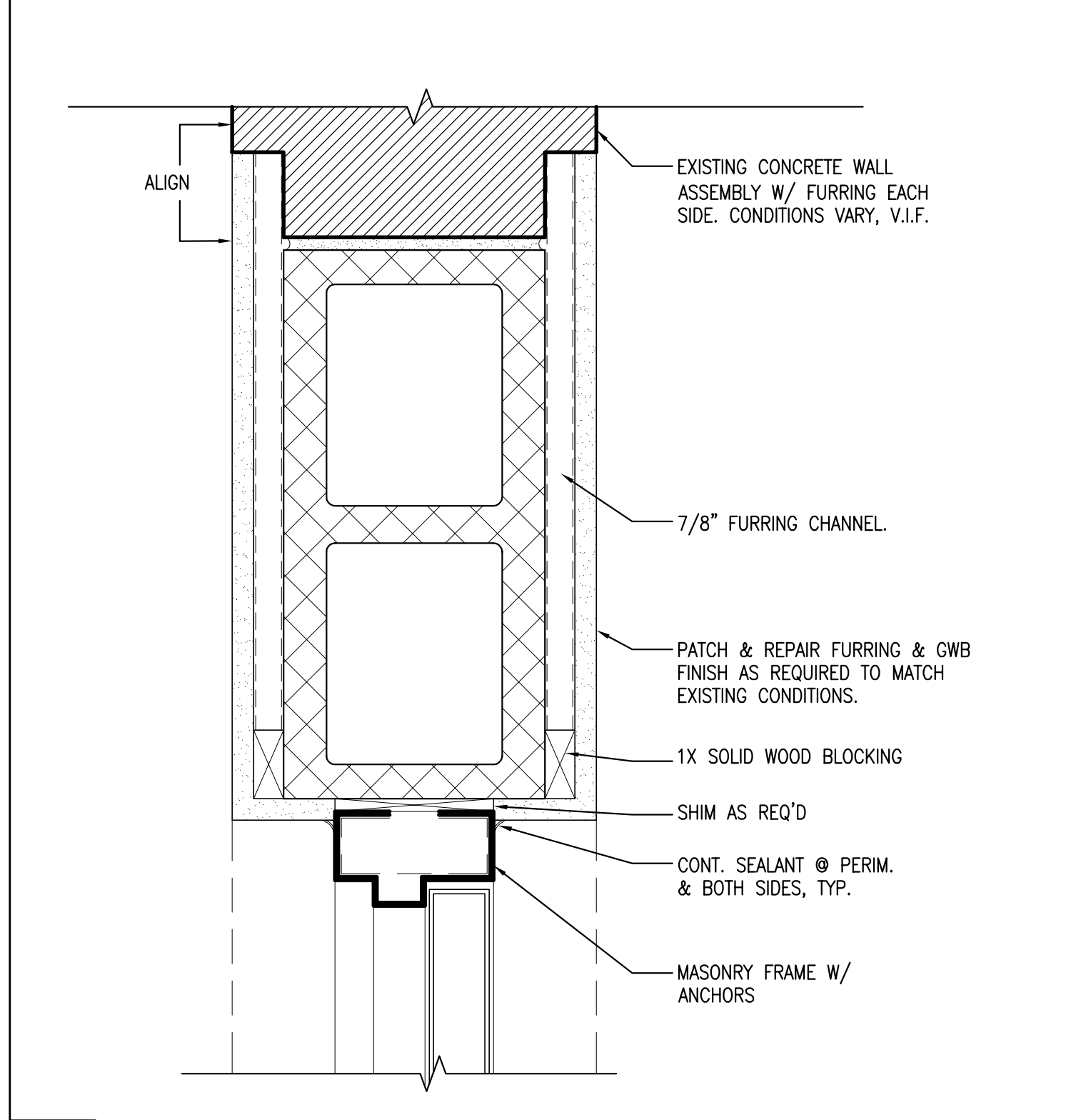
E2 INTERIOR HOLLOW METAL DOOR HEAD @ CONC. BLOCK WALL
REFERENCED FROM: SCALE: 3" = 1'-0"



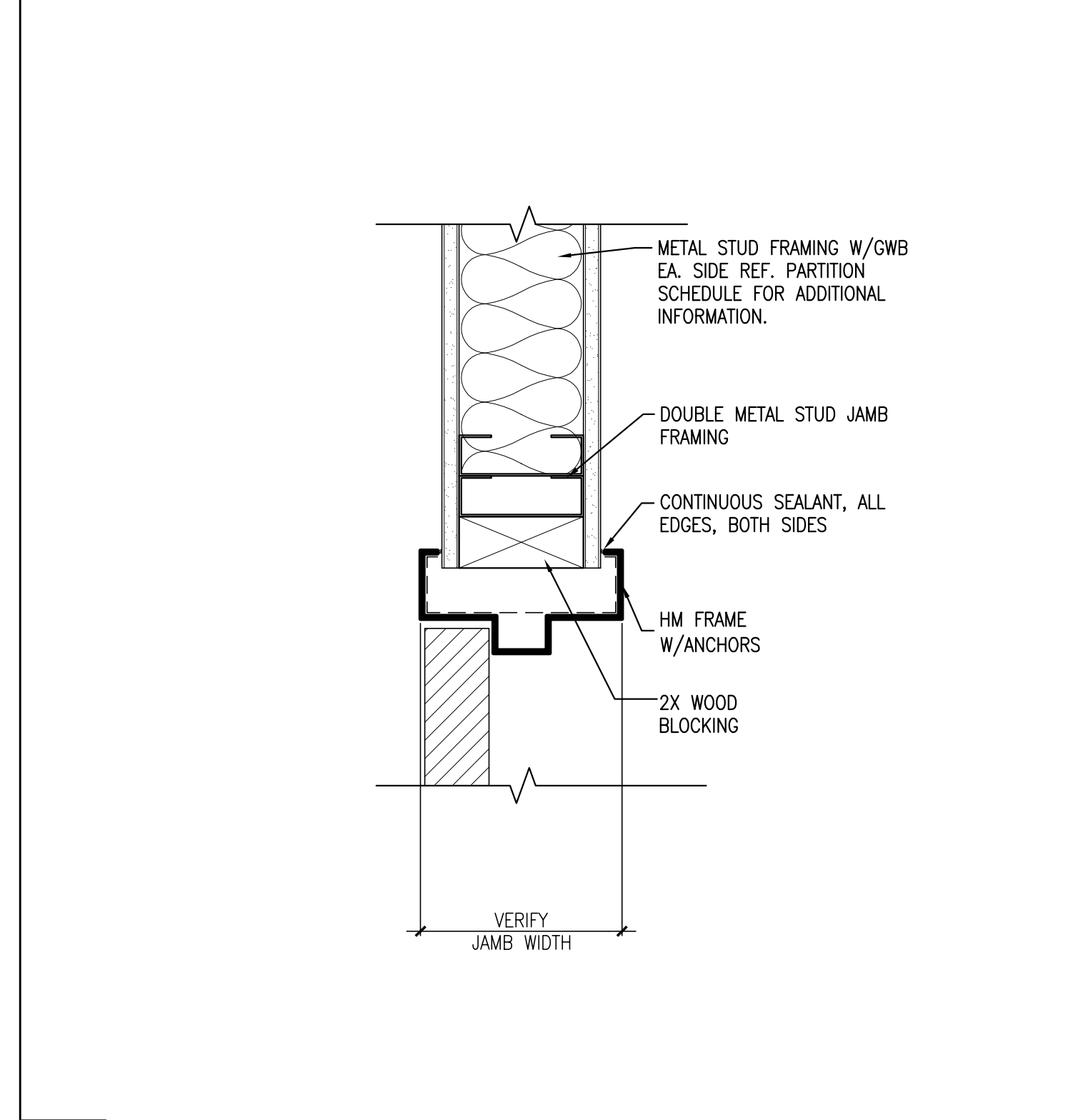
G2 INTERIOR HOLLOW METAL DOOR HEAD
REFERENCED FROM: SCALE: 3" = 1'-0"



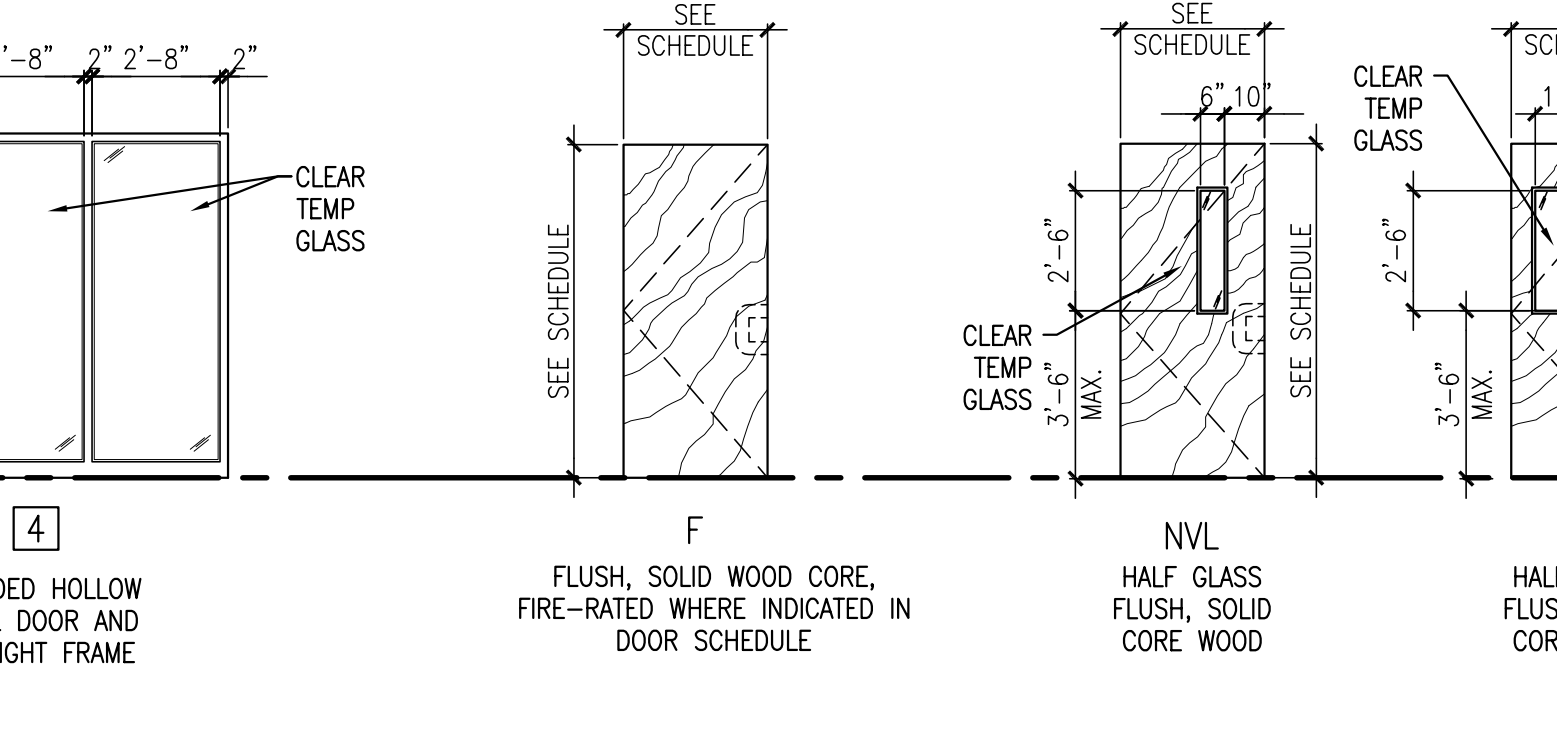
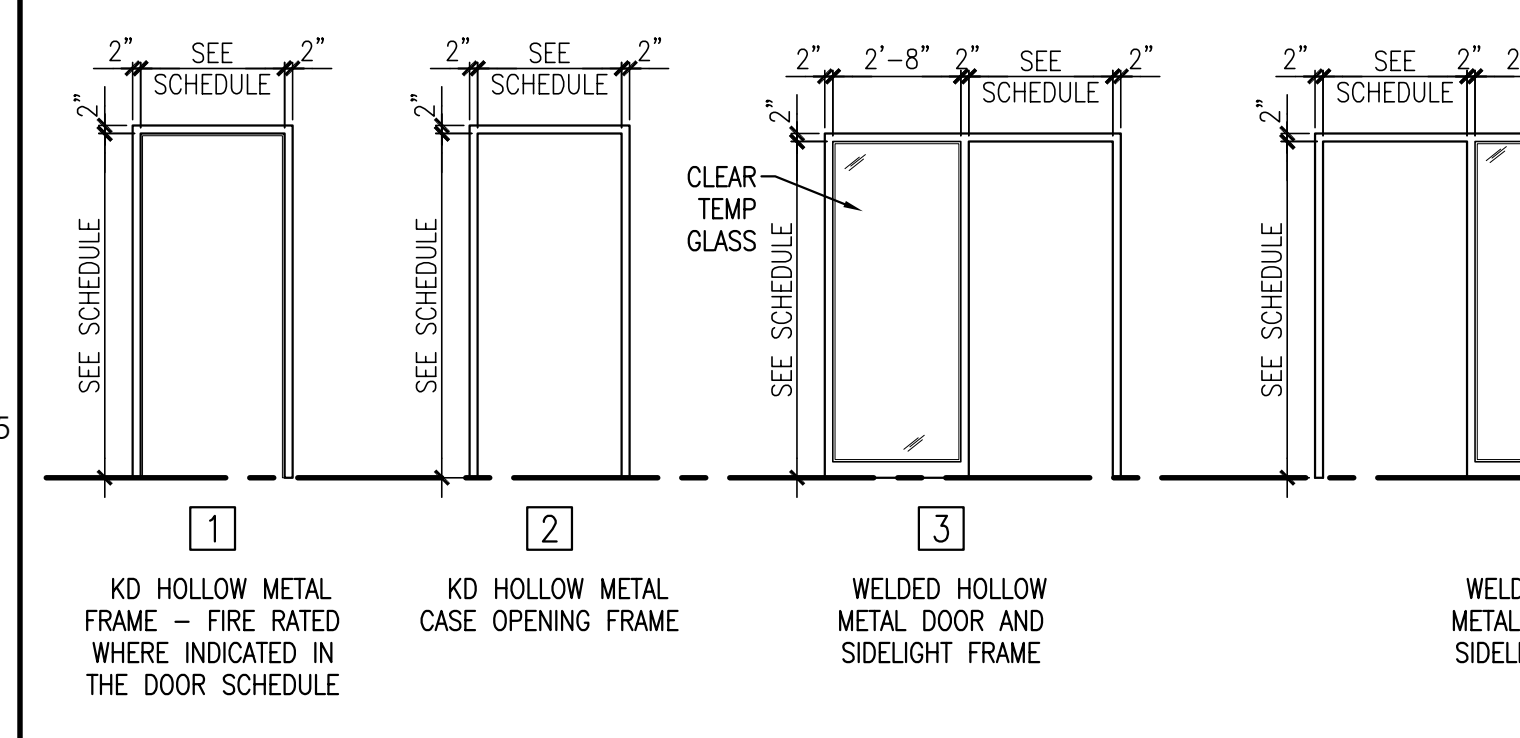
C4 INTERIOR HOLLOW METAL DOOR JAMB
REFERENCED FROM: SCALE: 3" = 1'-0"



E4 INTERIOR HOLLOW METAL DOOR JAMB @ CONC. BLOCK WALL
REFERENCED FROM: SCALE: 3" = 1'-0"



G4 INTERIOR HOLLOW METAL DOOR JAMB
REFERENCED FROM: SCALE: 3" = 1'-0"



A5 DOOR FRAME ELEVATIONS, DOOR ELEVATIONS, WINDOW ELEVATION
REFERENCED FROM: SCALE: 1/4" = 1'-0"

