

DESIGNER

CWS ARCHITECTS
ARCHITECTURE | INTERIOR DESIGN
264 US ROUTE ONE
BOX 6, SUITE 100-2A
SCARBOROUGH, MAINE 04074
T: 207.774.4441
WWW.CWSARCH.COM

OWNER

FAIRPOINT
COMMUNICATIONS

1 DAVIS ROAD
PORTLAND ME 04101

PROJECT

5 DAVIS FARM ROAD
MERGER

5 DAVIS FARM ROAD
PORTLAND ME 04103

DRAWING

ENLARGED EXTERIOR STAIR
PLAN

CWS PROJECT NUMBER: 17048

REVISIONS

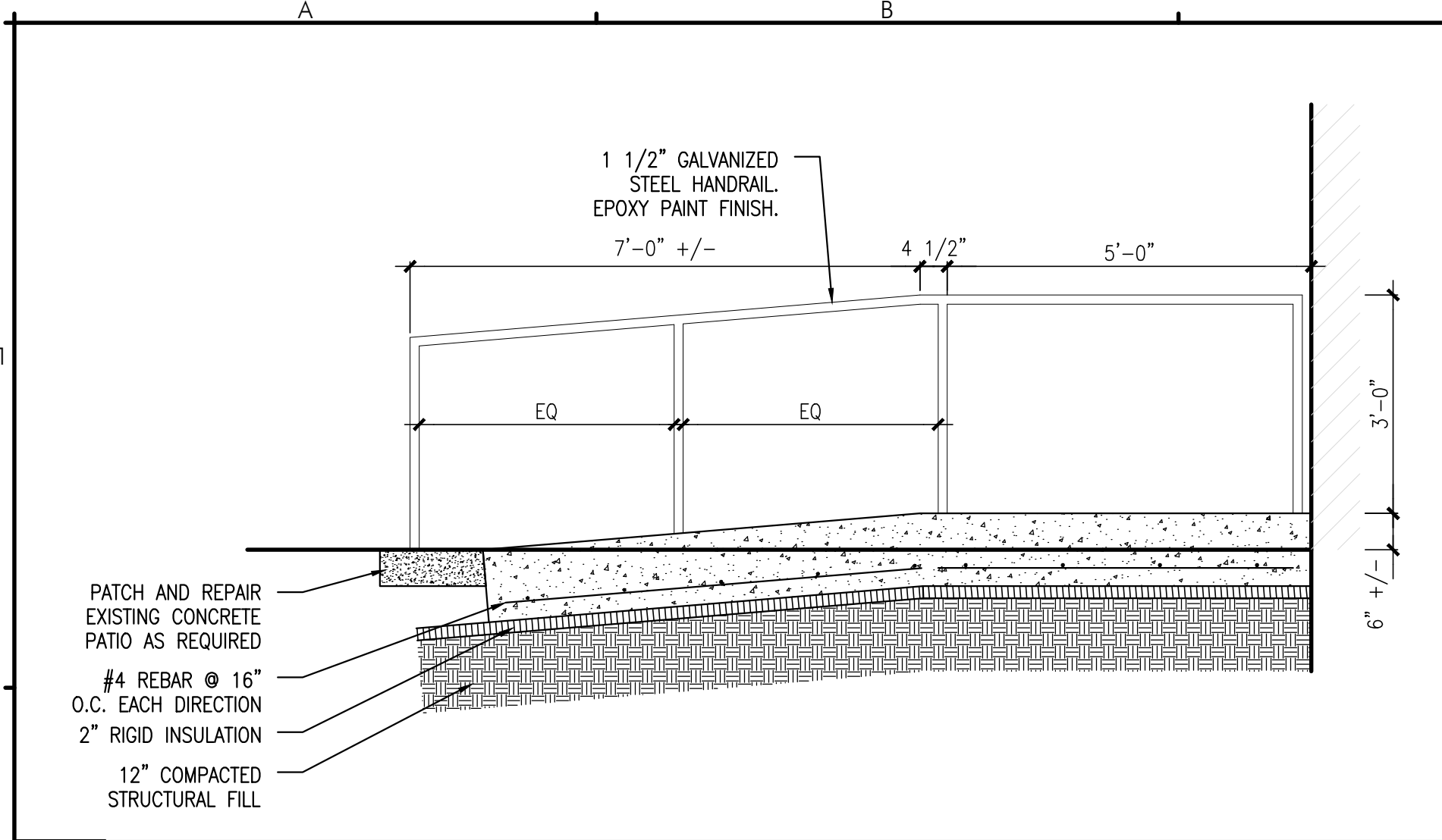
NO.	DATE	DESCRIPTION

DRAWING NUMBER

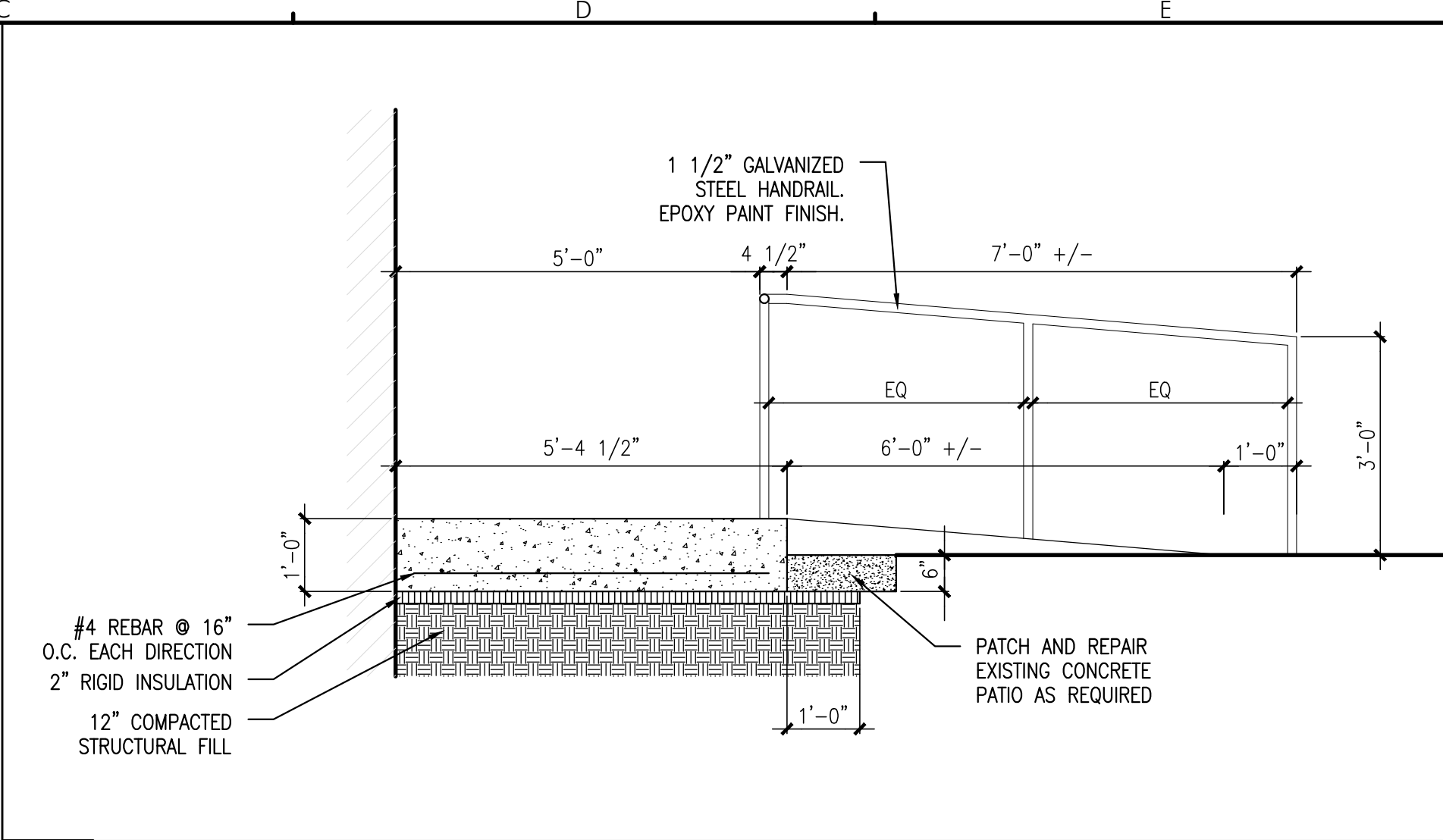
A4.50

SCALE: AS NOTED
DATE: 1-2-2018

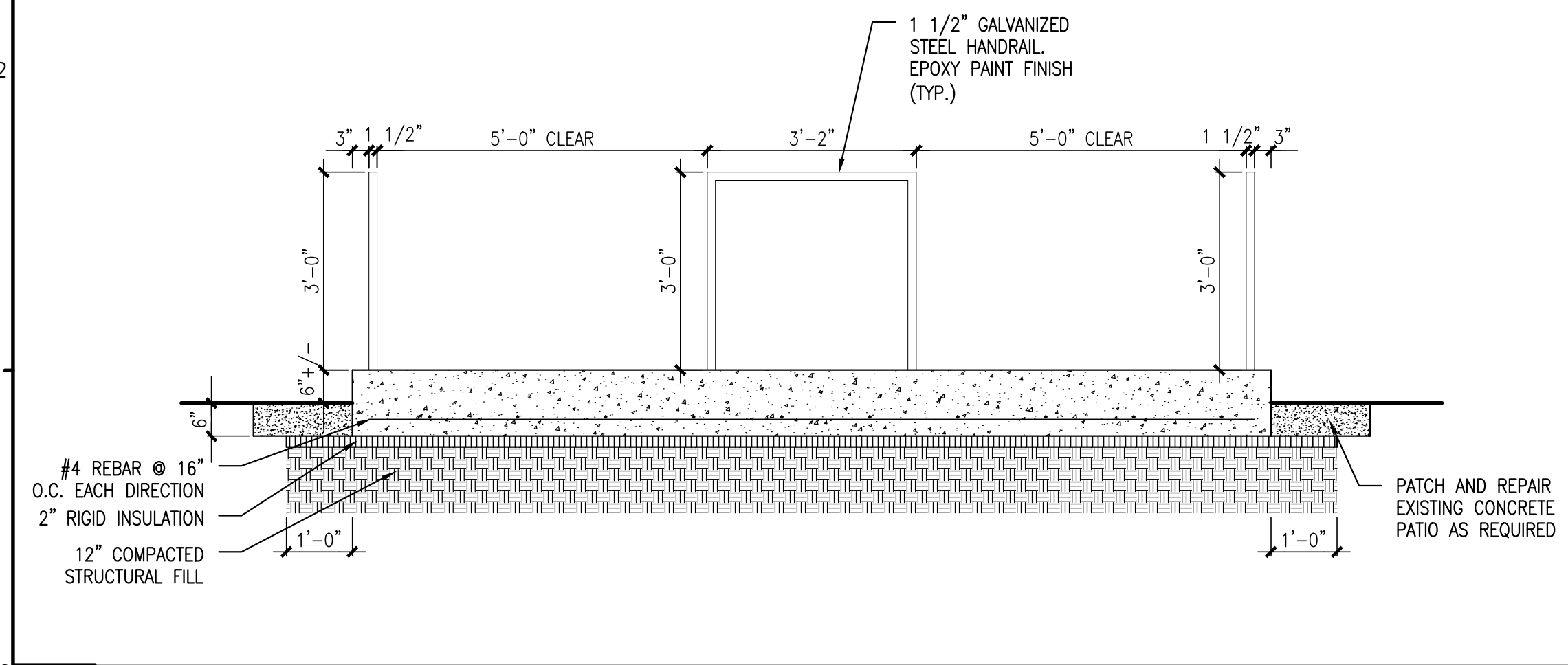
ISSUED FOR PERMITTING



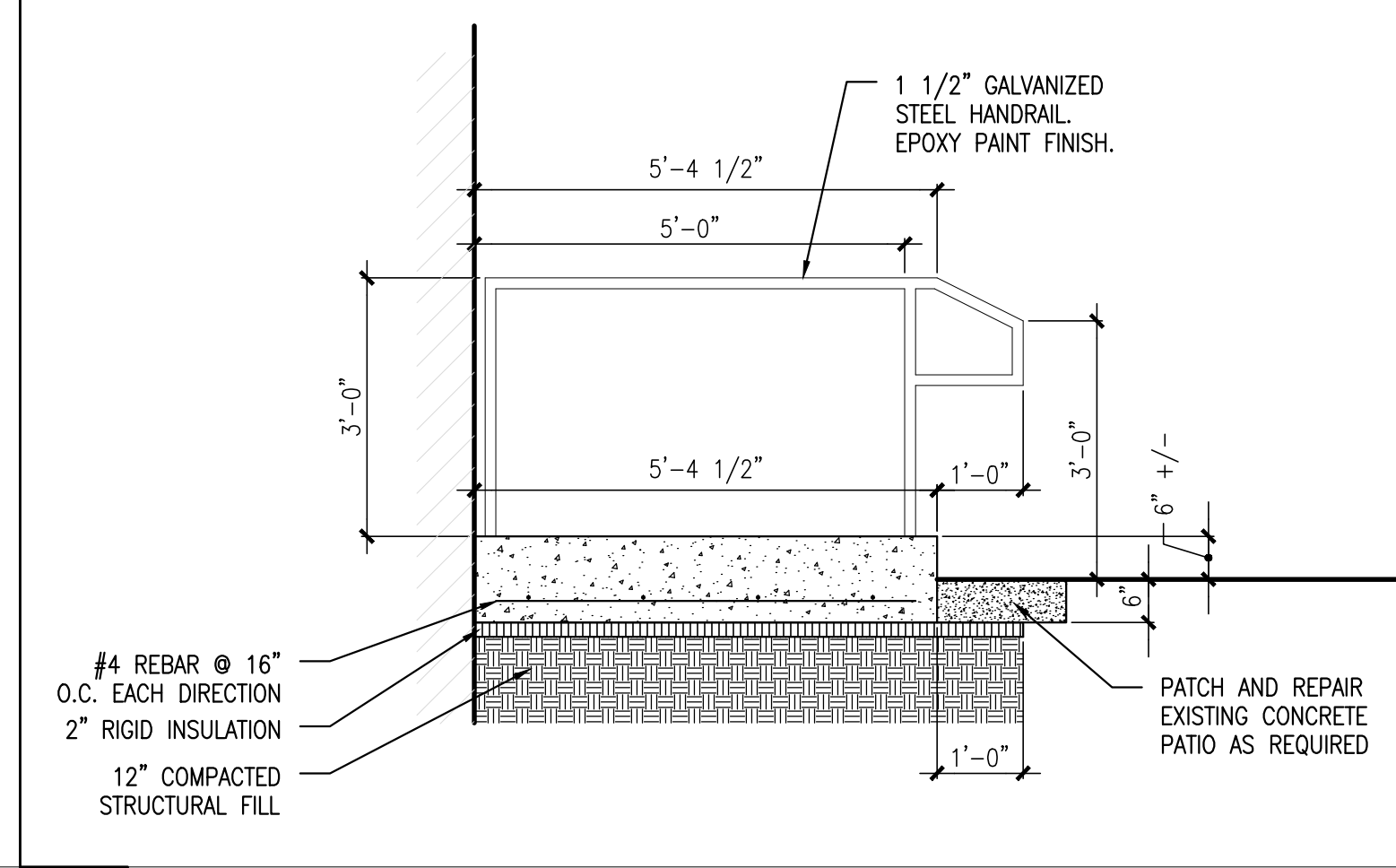
A2 PLAN
REFERENCED FROM: F3/A4.50 SCALE: 1/2"=1'-0"



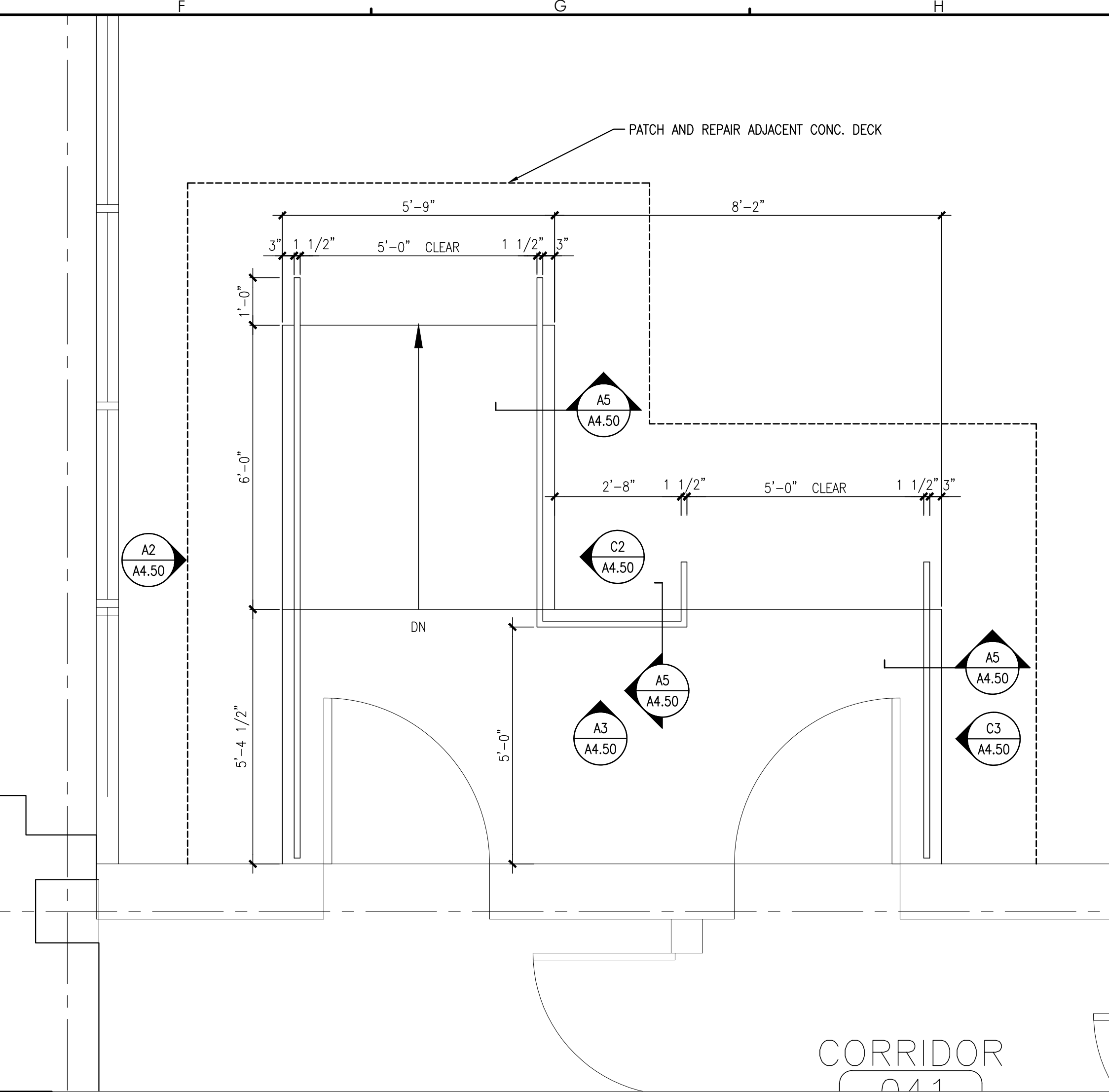
C2 PLAN
REFERENCED FROM: F3/A4.50 SCALE: 1/2"=1'-0"



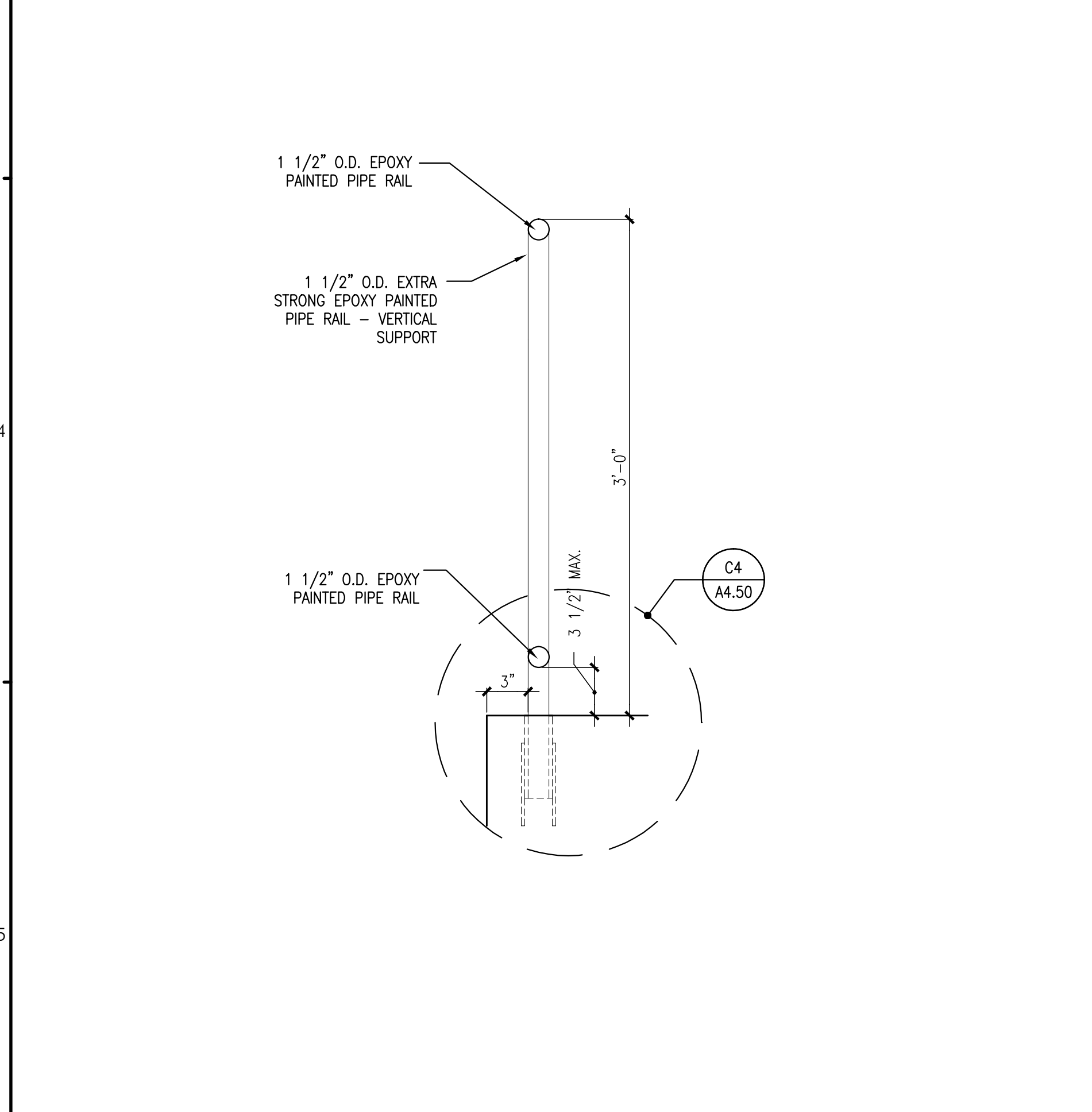
A3 PLAN
REFERENCED FROM: F3/A4.50 SCALE: 1/2"=1'-0"



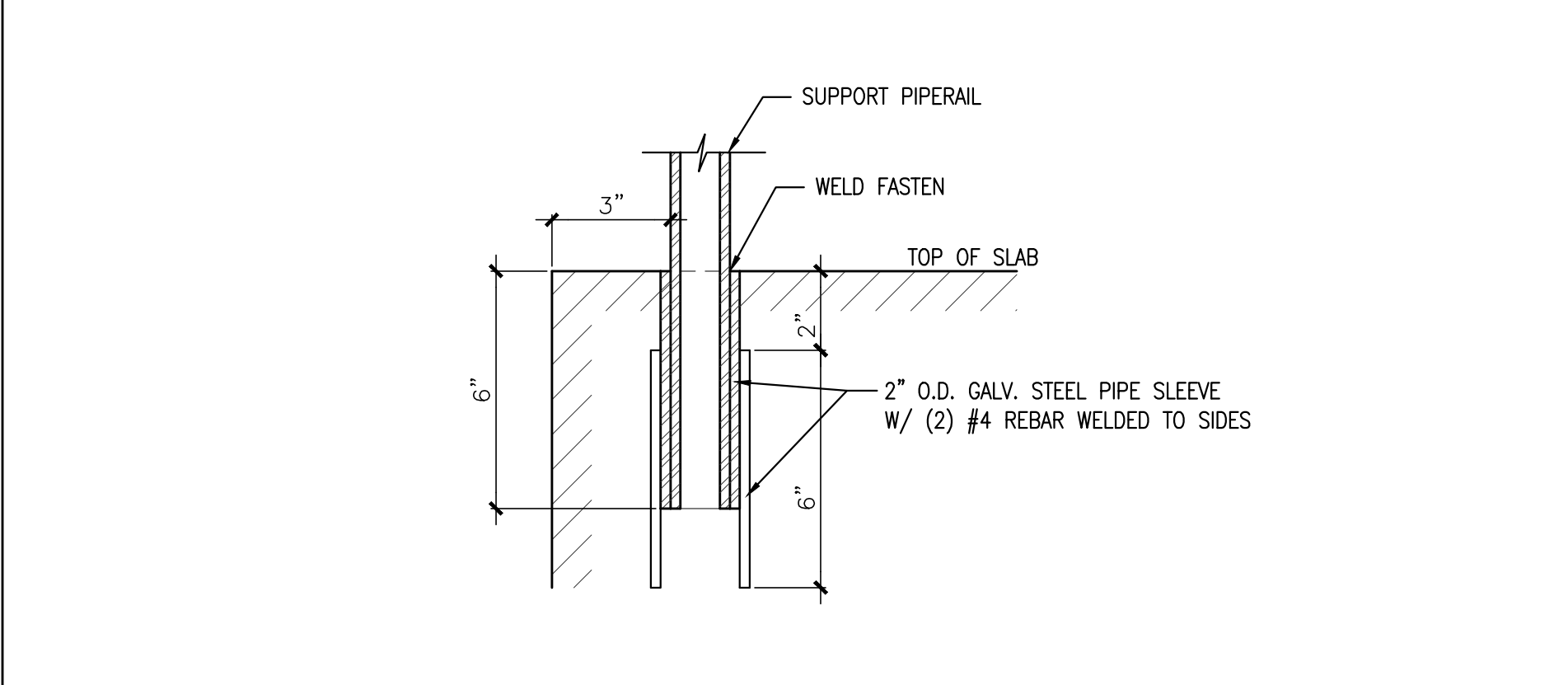
C3 PLAN
REFERENCED FROM: F3/A4.50 SCALE: 1/2"=1'-0"



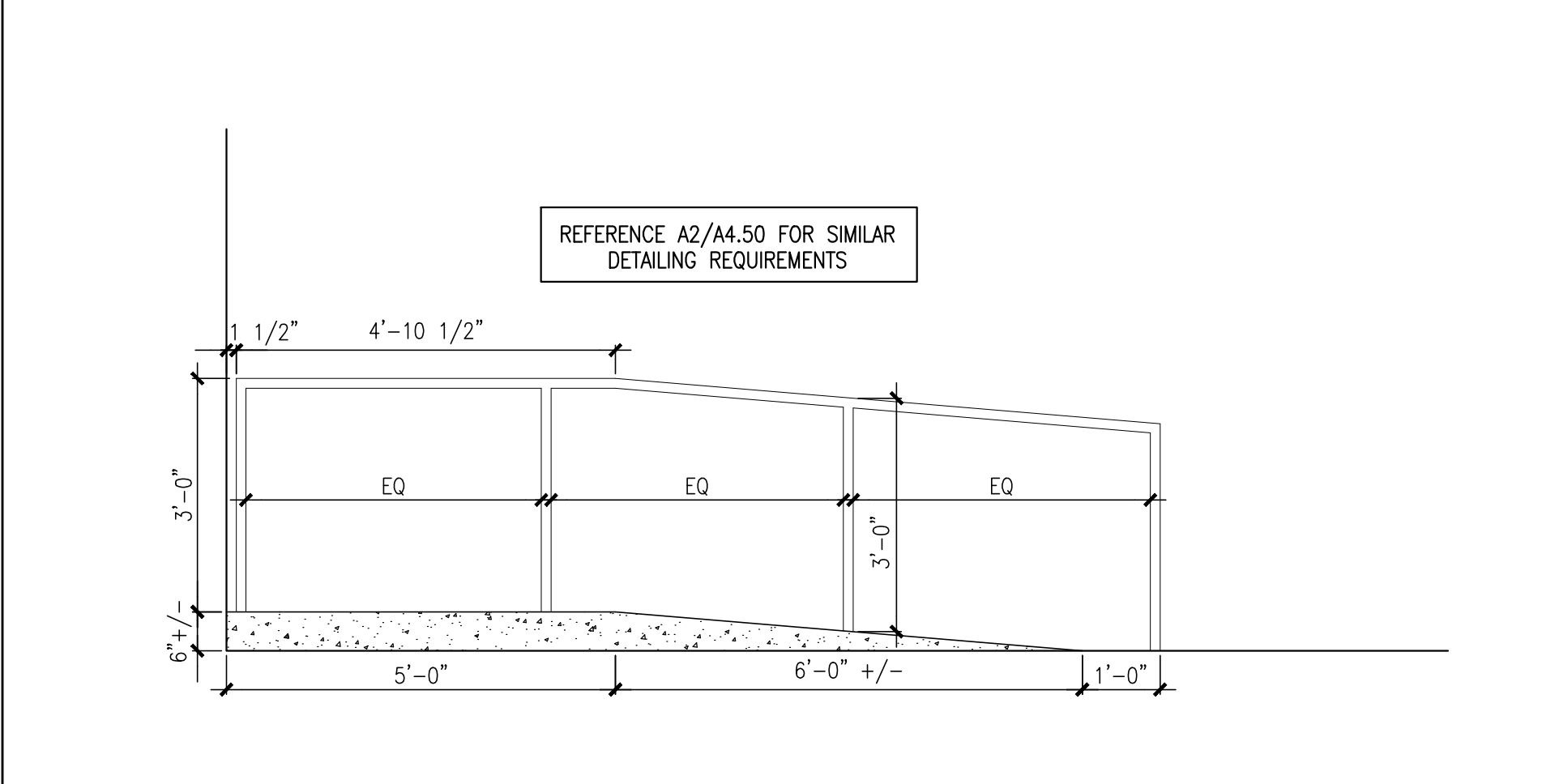
F3 ENLARGED EGRESS STAIR PLAN
REFERENCED FROM: A5/A1.00 SCALE: 1/2"=1'-0"



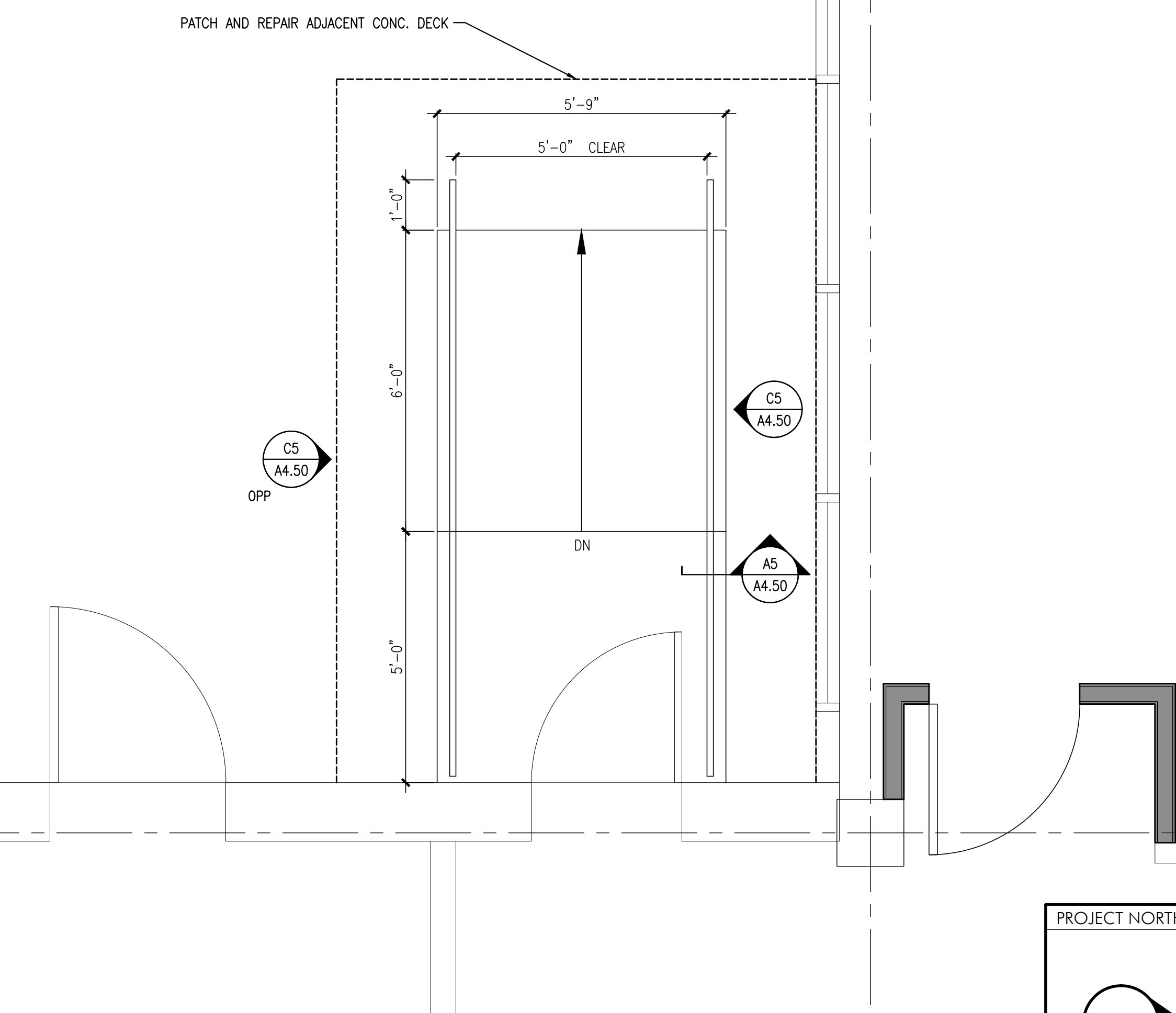
A5 SECTION DETAIL
REFERENCED FROM: F3/A4.50 & F5/A4.50 SCALE: 1 1/2"=1'-0"



C4 ENLARGED RAMP ELEVATION
REFERENCED FROM: A5/A4.50 SCALE: 3"=1'-0"



C5 ENLARGED RAMP ELEVATION
REFERENCED FROM: F5/A4.50 SCALE: 1/2"=1'-0"



F5 ENLARGED EGRESS RAMP PLAN
REFERENCED FROM: A5/A1.00 SCALE: 1/2"=1'-0"

PROJECT NORTH

