

CWS ARCHITECTS
ARCHITECTURE | INTERIOR DESIGN
264 US ROUTE ONE
BOX 6, SUITE 100-2A
SCARBOROUGH, MAINE 04074
T: 207.774.4441
WWW.CWSARCH.COM

DESIGNER

OWNER

FAIRPOINT COMMUNICATIONS

1 DAVIS ROAD
PORTLAND ME 04101

PROJECT

5 DAVIS FARM ROAD MERGER

5 DAVIS FARM ROAD
PORTLAND ME 04103

DRAWING

INTERIOR DETAILS

CWS PROJECT NUMBER: 17048

REVISIONS

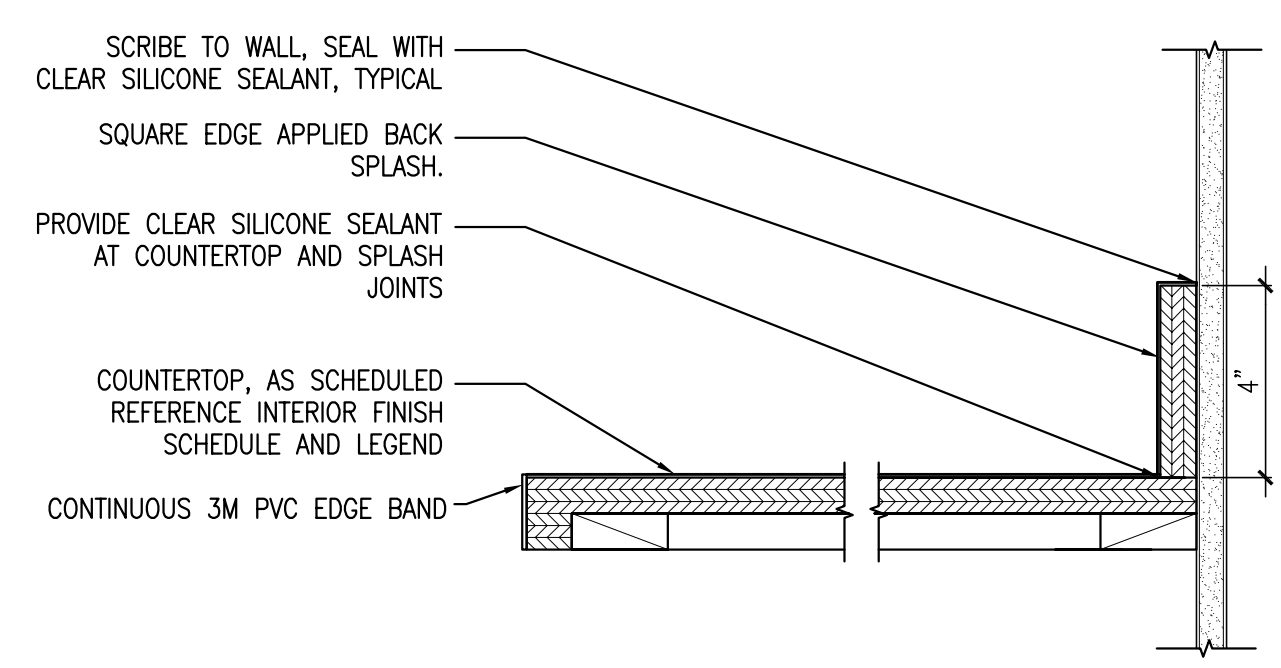
NO.	DESCRIPTION

DRAWING NUMBER

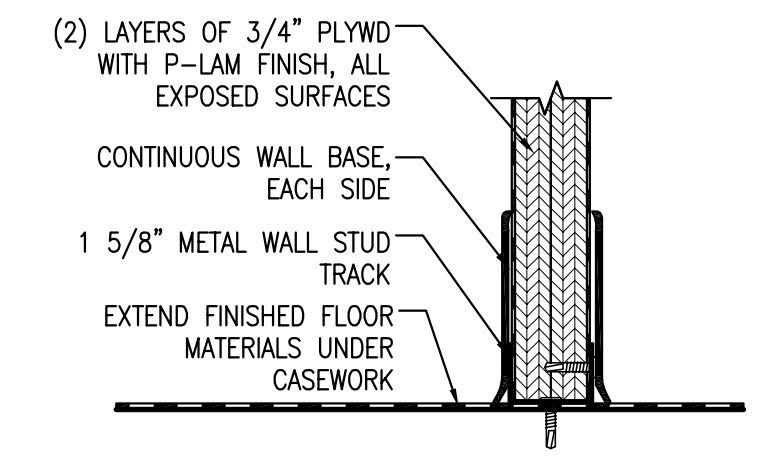
A4.10

SCALE: AS NOTED
DATE: 1-2-2018

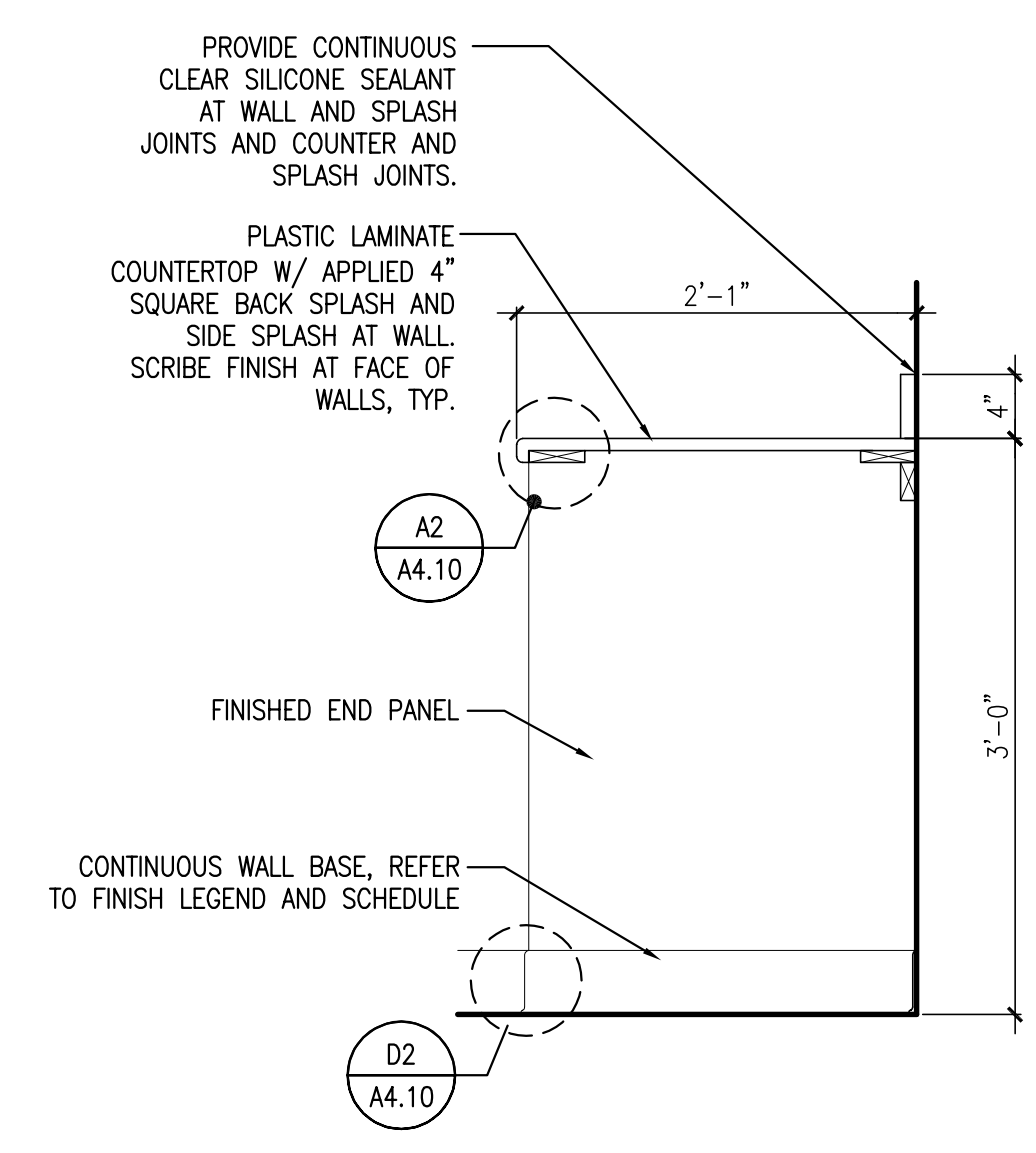
ISSUED FOR PERMITTING



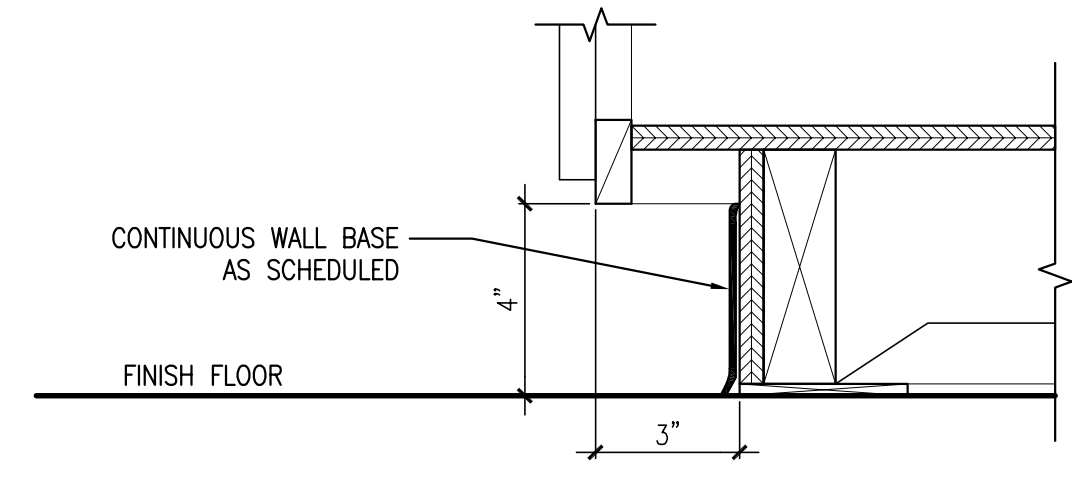
A2 TYPICAL COUNTERTOP AND EDGE DETAIL
REFERENCED FROM: SCALE: 3"=1'-0"



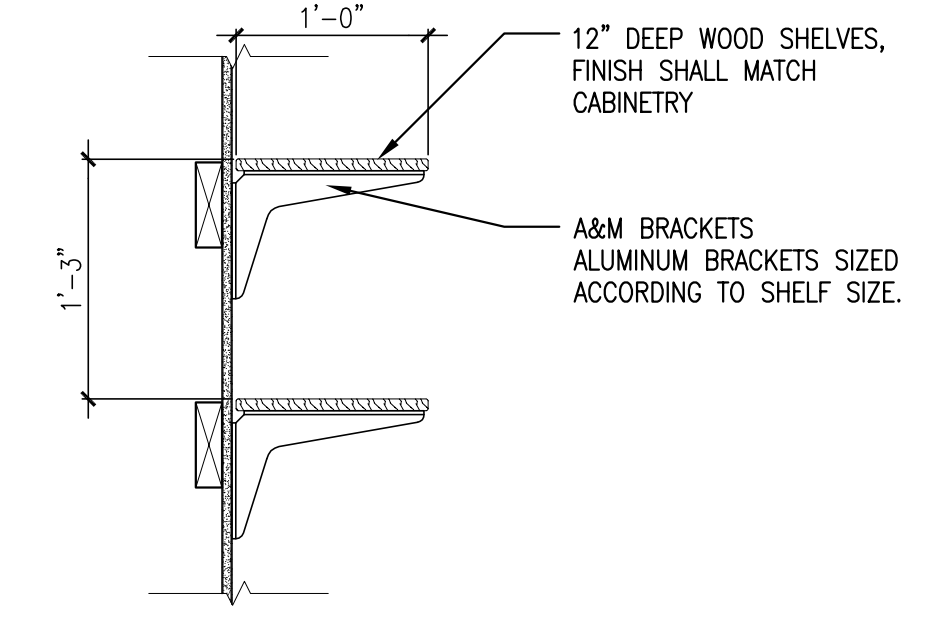
D2 TYPICAL END PANEL DETAIL
REFERENCED FROM: SCALE: 3"=1'-0"



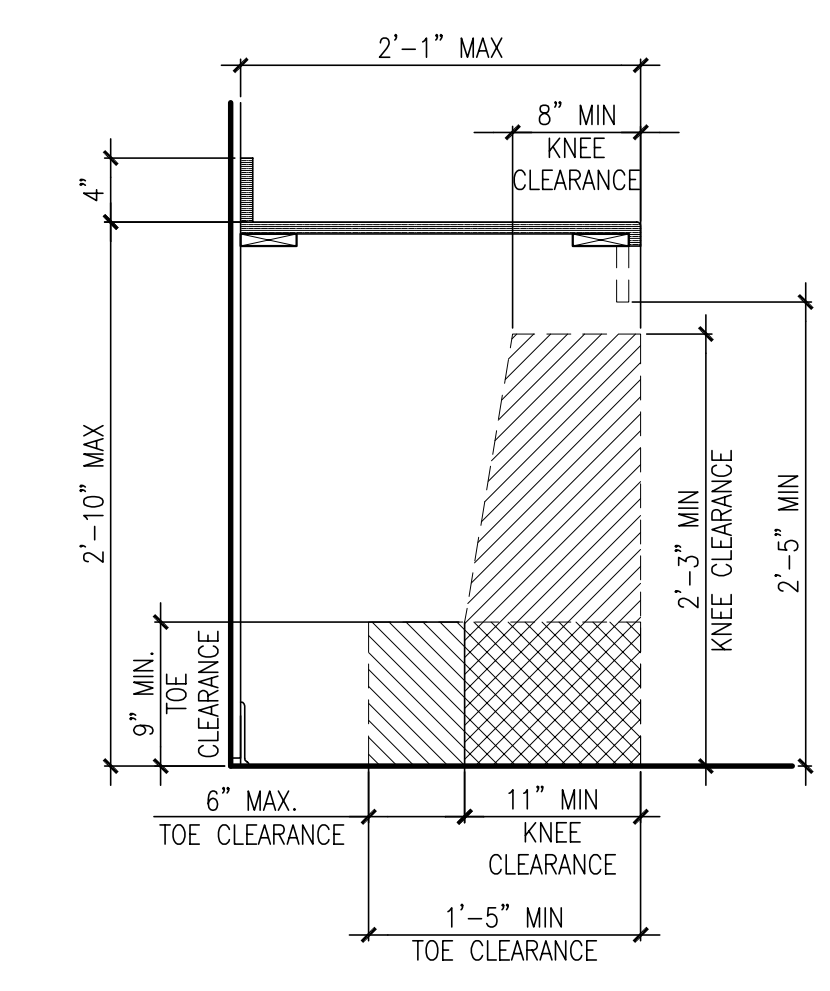
F2 COUNTERTOP DETAIL
REFERENCED FROM: SCALE: 1"=1'-0"



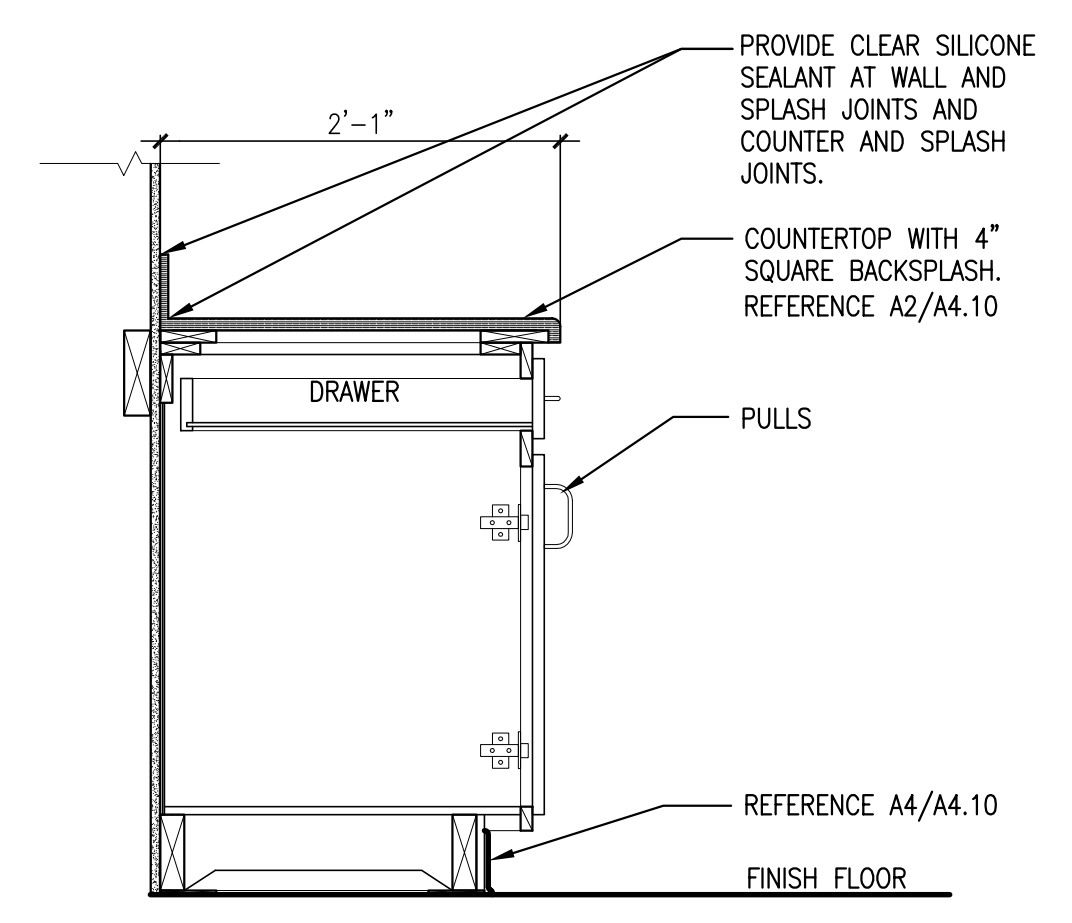
A4 TYPICAL CABINET BASE DETAIL
REFERENCED FROM: SCALE: 3"=1'-0"



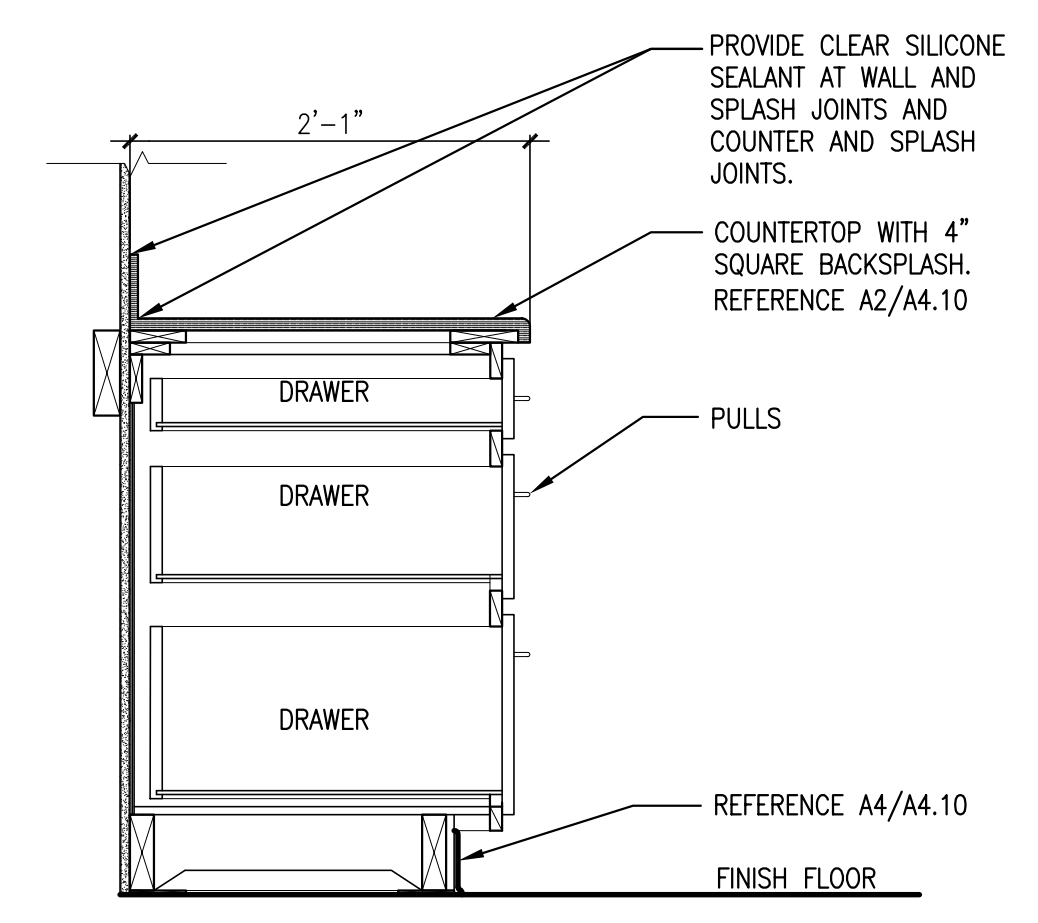
D4 WOOD SHELF DETAIL
REFERENCED FROM: SCALE: 1"=1'-0"



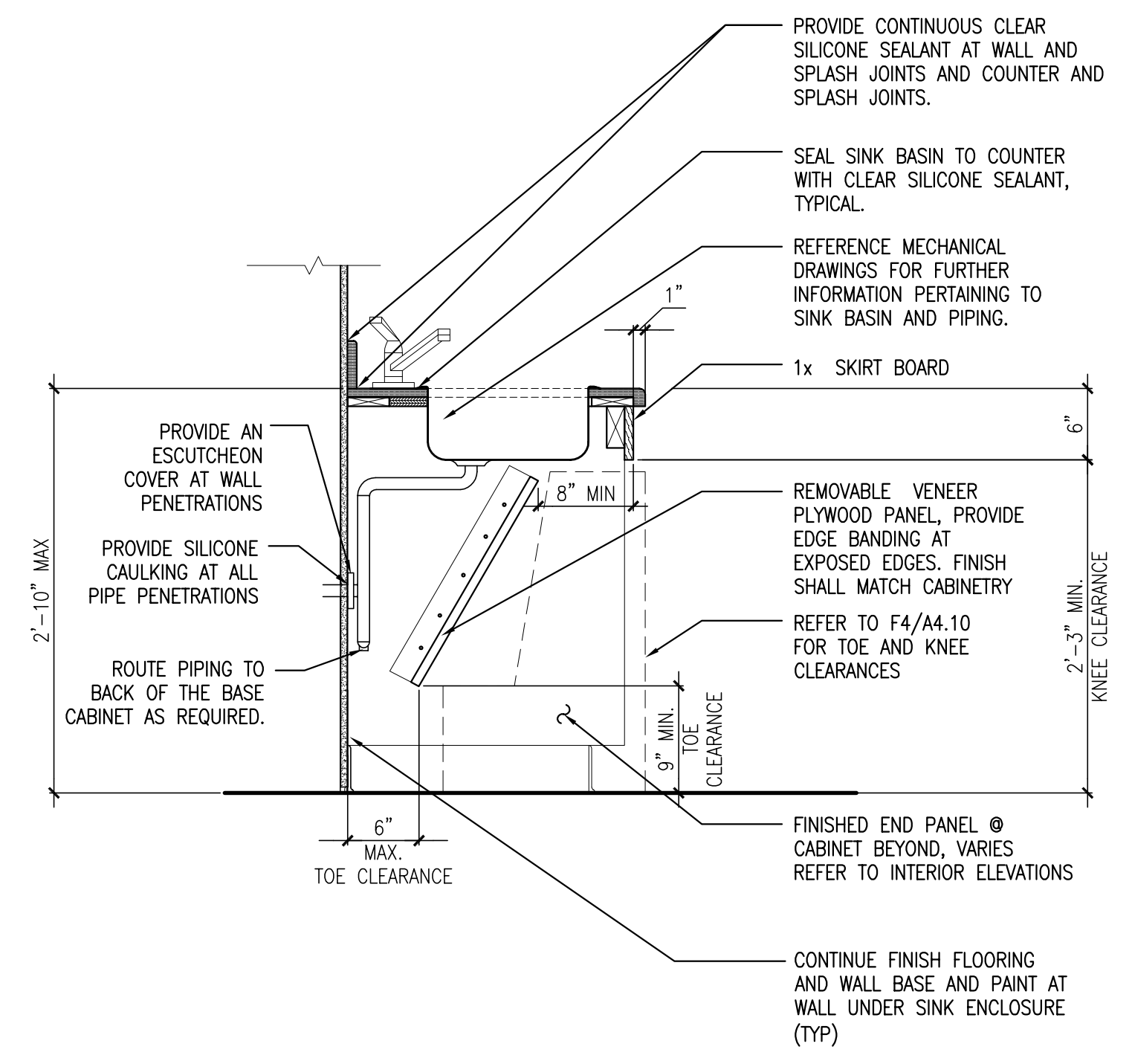
F4 ACCESSIBLE TOE AND KNEE CLEARANCE DETAIL
REFERENCED FROM: SCALE: 1"=1'-0"



A5 BASE CABINET DETAIL
REFERENCED FROM: SCALE: 1"=1'-0"



D5 DRAWER BASE CABINET DETAIL
REFERENCED FROM: SCALE: 1"=1'-0"



F5 SINK ENCLOSURE DETAIL
REFERENCED FROM: SCALE: 1"=1'-0"

PROJECT NORTH

